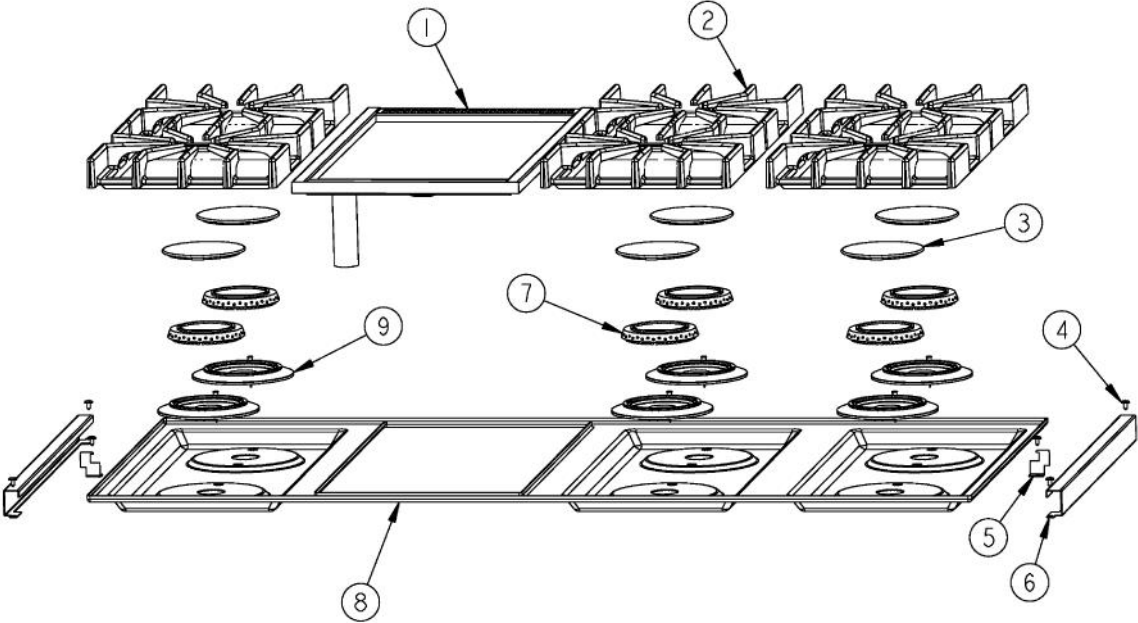
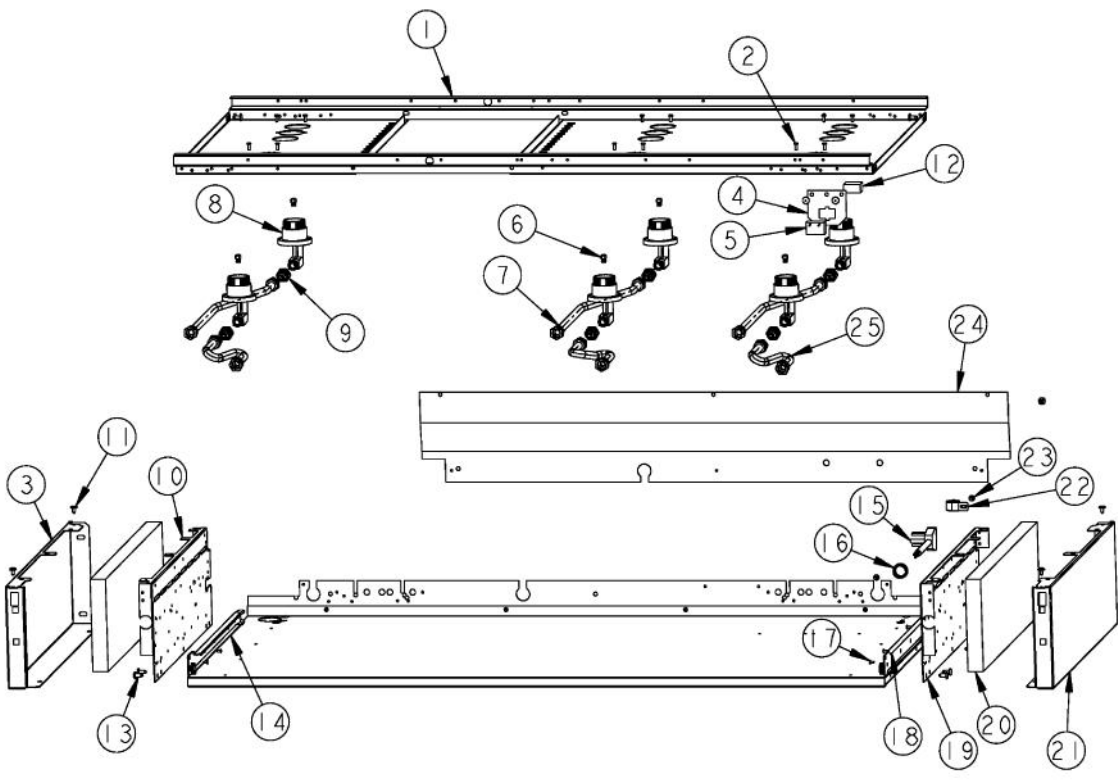


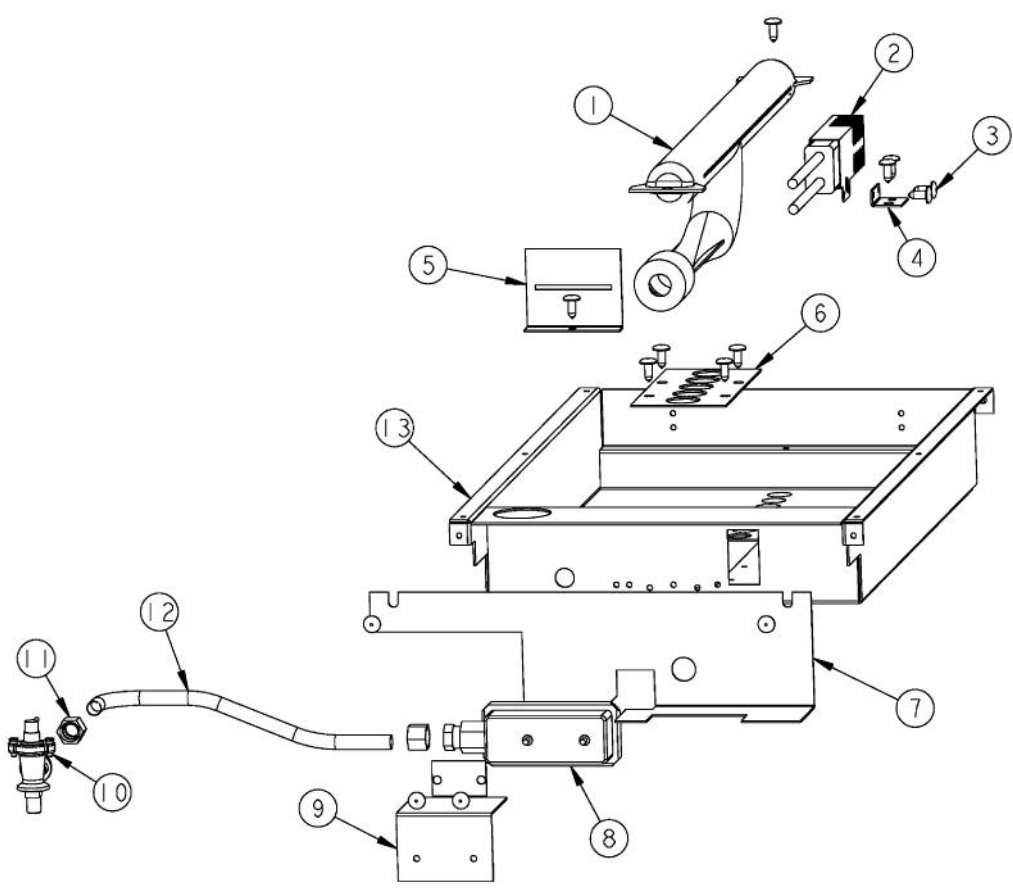
Ref #	Part Number	Qty.	Description
1	G3009843	1	SEALED LANDING LEDGE ASSY 48
2	PD030005	8	SELF RETAINING NUT
3	PA070001	1	PRESSURE REGULATOR (NAT.)
4	PA050115	1	UNIVERSAL 48 MANIFOLD
	002569-000	1	UNIVERSAL 48 MANIFOLD
5	PB030007	1	SHUT OFF VALVE
6	PB010264	1	GRIDDLE THERMOSTAT
7	PA020058	6	IRIS SINGLE SPARK MODULE
8	PA010158	6	SUB TO 003517-000 - SEALED BURNER FLARE VALVE
9	PA010012	30	ROPER PLUG
10	PD010003	4	10-24 X 1/2 PH.TR.HD.SERD.M.S.
11	PD020002	12	10 X 1/2 PH.TR.HD.SMS.
12	A1001138	1	MANIFOLD BRKT
13	PD010012	11	VALVE BOLT 1/4-20 UNC-2B 5/16 M.S.
14	PD020033	4	SRW-NO.10-24X1/2T(23)PH.WFR HD (NKL)
15	B9202380	1	CTRL PAN- (VGRT480-6G )XSLK SCR
	C9202380AL	1	CONTROL PANEL VGRT480-6G XALX SILK SCR
	C9202380BK	1	CTRL PAN- XBKX (VGRT480-6G) XSLK SC
	C9202380BT	1	CONTROL PANEL VGRT480-6G XBTX SILK SCR
	C9202380BU	1	CONTROL PANEL VGRT480-6G XBUX SILK SCR
	C9202380CB	1	CONTROL PANEL VGRT480-6G XCBX SILK SCR
	C9202380EP	1	CONTROL PANEL VGRT480-6G XEPX SILK SCR
	C9202380FG	1	CONTROL PANEL VGRT480-6G XFGX SILK SCR
	C9202380GG	1	CONTROL PANEL VGRT480-6G XGGX SILK SCR
	C9202380LE	1	CONTROL PANEL VGRT480-6G XLEX SILK SCR
	C9202380MJ	1	CONTROL PANEL VGRT480-6G XMJX SILK SCR
	C9202380SG	1	CONTROL PANEL VGRT480-6G XSGX SILK SCR
	C9202380VB	1	CONTROL PANEL VGRT480-6G XVBX SILK SCR
	C9202380WH	1	CTRL PAN- XWHX (VGRT480-6G )XSLK
16	PB010208	6	BEZEL, CHROME PLATE
	PB010304	6	KNOB BEZEL
	PB010209	6	BEZEL BRASS
17	PD020067	3	NO.6 X 3/8 PAN PHIL. TEK SS
18	PB010206	6	VGSC,VGRC,VGRT TOP BURNER KNOB(BK)
	010914-000		KNOB, BNR, BK
	PB010207	6	VGSC,VGRC,VGRT TOP BURNER KNOB(WH)
19	PD020006	11	NO.6-32 X 1/4 PH.PAN HD. T(F)
20	PB010103	1	GRIDDLE KNOB N/S XBKX
	PB010104	1	GRIDDLE KNOB N/S XWHX
21	PE050023	1	OVEN IND. LIGHT (LENS & BEZEL)
	PE050024	1	OVEN IND. LIGHT (LIGHT HOUSING)
22	PE010142	1	3 LOGO XBKXXCHROME
	PE010143	1	3 LOGO BK/BR
	PE010144	1	3 LOGO XWHXCHROME
	PE010145	1	LOGO - WH / BR



Ref #	Part Number	Qty.	Description
1	G3009156	1	GRIDDLE ASSEMBLY
2	PA060054	6	SEALED GRATE XBKX
3	PA080083	6	D BURNER CAP XMATTE BLACKX
4	PD020032	10	SRW-8(A)X3/8PH.WFR HD 7/16DIAXNICL
5	A2007858	2	SIDE TRIM BRKT
6	B2007851	1	SIDE TRIM
	C9307851BR	1	SIDE TRIM XBRX
7	PB050063	6	BURNER HEAD (BEFORE 12/18/07)
	001386-000	6	BURNER HEAD (AFTER 12/18/07)
8	E9109801BK	1	48 SEALED COOKTOP 6BG & 6BQ XBKX
	E9109801WH	1	48 SEALED COOKTOP 6BG & 6BQ XWHX
9	PB050081	4	BURNER BASE ASSEMBLY (INCLUDES IGNITER) - BEFORE 12/18/07
	003322-040	4	SEALED BURNER BASE, TURNED FINISH (INCLUDES IGNITER) - AFTER 12/18/07
NI	003606-000	7	NO.6-32 SOCKET HEAD SCREW (AFTER 12/18/07)

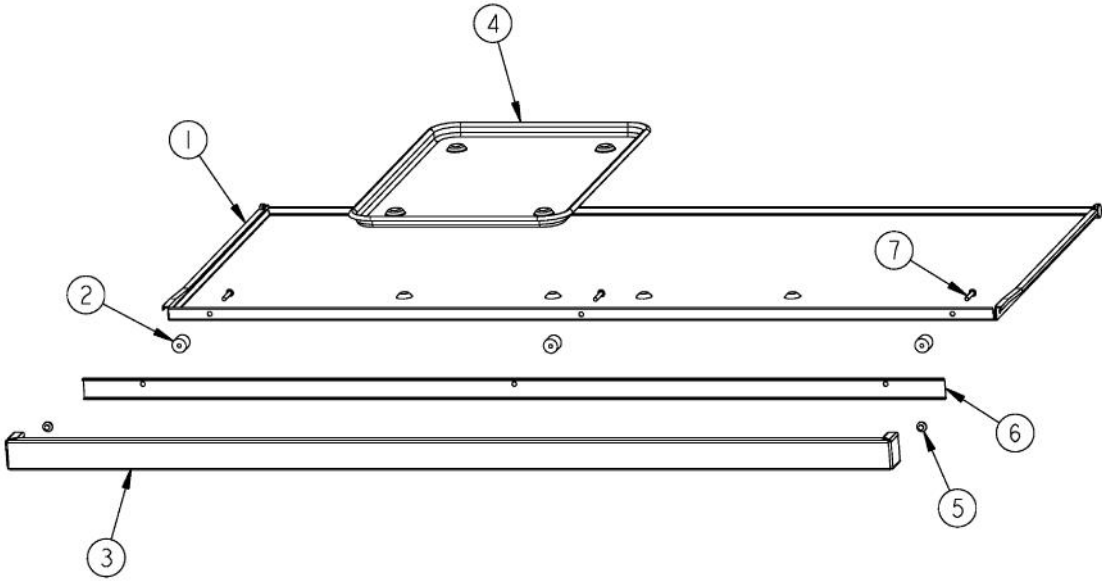


Ref #	Part Number	Qty.	Description
1	A20011234	1	BURNER BOX SUPPORT
2	PD020076		6-32 X 3/8 PHILL PAN MS
3	002153-000	1	SIDE PANEL, LH
4	A1008487	1	SERVICE DISCONNECT BRACKET
5	000573-000	1	POWER JUMPER WIRE
6	PB040194	6	SEALED RANGE ORIFICE (NAT) (BEFORE 12/18/07)
6	001396-040	6	15K NG ORIFICE (AFTER 12/18/07)
	PB040217	6	L.P. ORIFICE (BEFORE 12/18/07)
	001396-044	6	13.5K LP ORIFICE (AFTER 12/18/07)
7	PB020193	1	16 FLEX TUBING W/CONNECTORS
8	PA080075	6	BODY BURNER D (VDSC3074BSS) (BEFORE 12/18/07)
	001394-042	6	15000 BTU NAT JETHOLDER (AFTER 12/18/07)
	001394-043	6	13500 BTU LP JETHOLDER (AFTER 12/18/07)
9	PA050086	6	5/8 MALE FLARE FITTING
10	A2006748	1	BURNER BOX SIDE LH (VDSC3074B)
11	PD020032	14	SRW-8(A)X3/8PH.WFR HD 7/16DIAXNICL
12	PE070071	1	DISCONNECT BLOCK XALX 770027-1
13	PD020002	10	10 X 1/2 PH.TR.HD.SMS.
14	PK000007	1	DRIP TRAY GUIDE - LH (VGRT)
15	PE070128	1	SUPPLY CORD (VGRT/SC/SS/RC)
16	PD040005	1	SNAP BUSHING - 7/8
17	PC040010	10	POP RIVET
18	PK000008	1	DRIP TRAY GUIDE - RH
19	A2006747	1	BURNER BOX SIDE RH (VDSC3074B)
20	PB070034	1	INSULATION-TRS-10 1 X 20 X 3'
21	002152-000	1	SIDE PANEL, RH
22	PD030109	2	INSULATED CLAMP
23	PD020010	1	10 X 3/8 GREEN GROUNDING SCREW
24	A20012051	1	REAR SHIELD VGIC487
25	PB020192	1	10 FLEX TUBING W/CONNECTORS

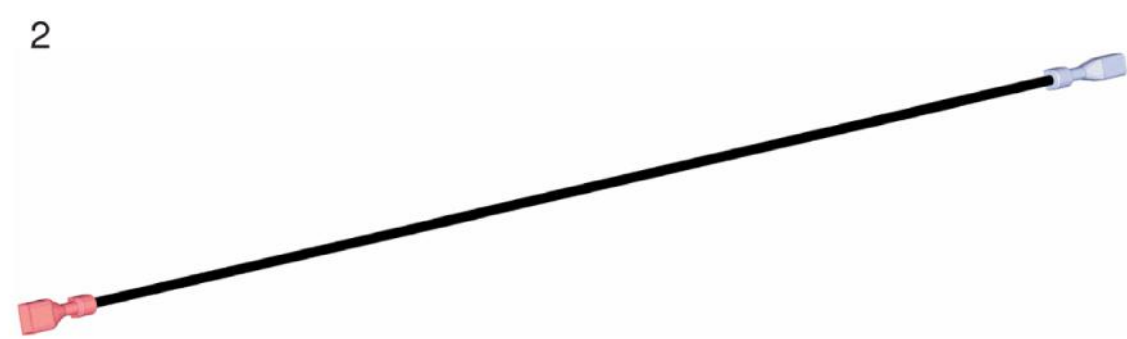
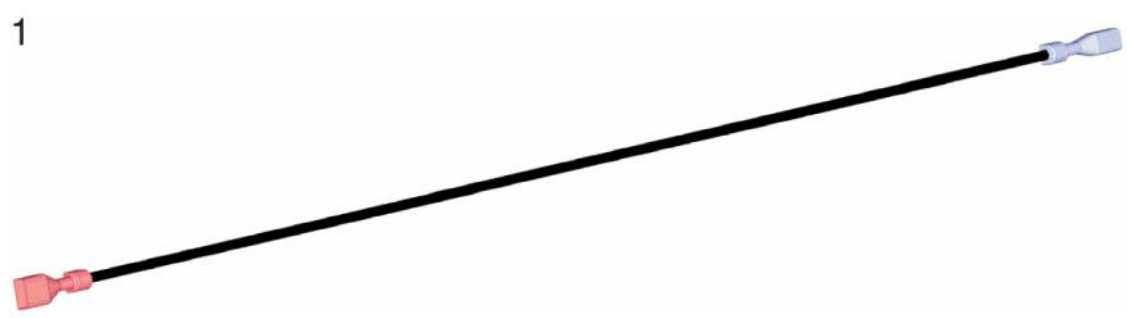


Ref #	Part Number	Qty.	Description
1	PB050074	1	SEALED GRIDDLE BURNER
2	PB040001	1	IGNITOR - (ALL RANGES)
3	PD020002	30	10 X 1/2 PH.TR.HD.SMS.
4	A2001300	1	GRIDDLE IGNITOR BRKT
5	A2009580	1	GRIDDLE BURNER BRACKET
6	A1007861	1	GRIDDLE VENTURI COVER IC36
7	A20010470	1	COMPONENT SHIELD IC487
8	PB010004	1	SINGLE SAFETY VALVE (NAT. GRIDDLE)
9	A2007867	1	VALVE BRACKET
10	PB030007	1	SHUT OFF VALVE
11	PB040192	6	3/8`` CC FERREL (DGCU)
	PB040213	6	3/8 COMPRESSION NUT (DGCU)
12	PB020116	6	TUBING - 10 FLEXIBLE 12 & 24
13	A2007862	1	GRIDDLE BOX (VGIC3674G)

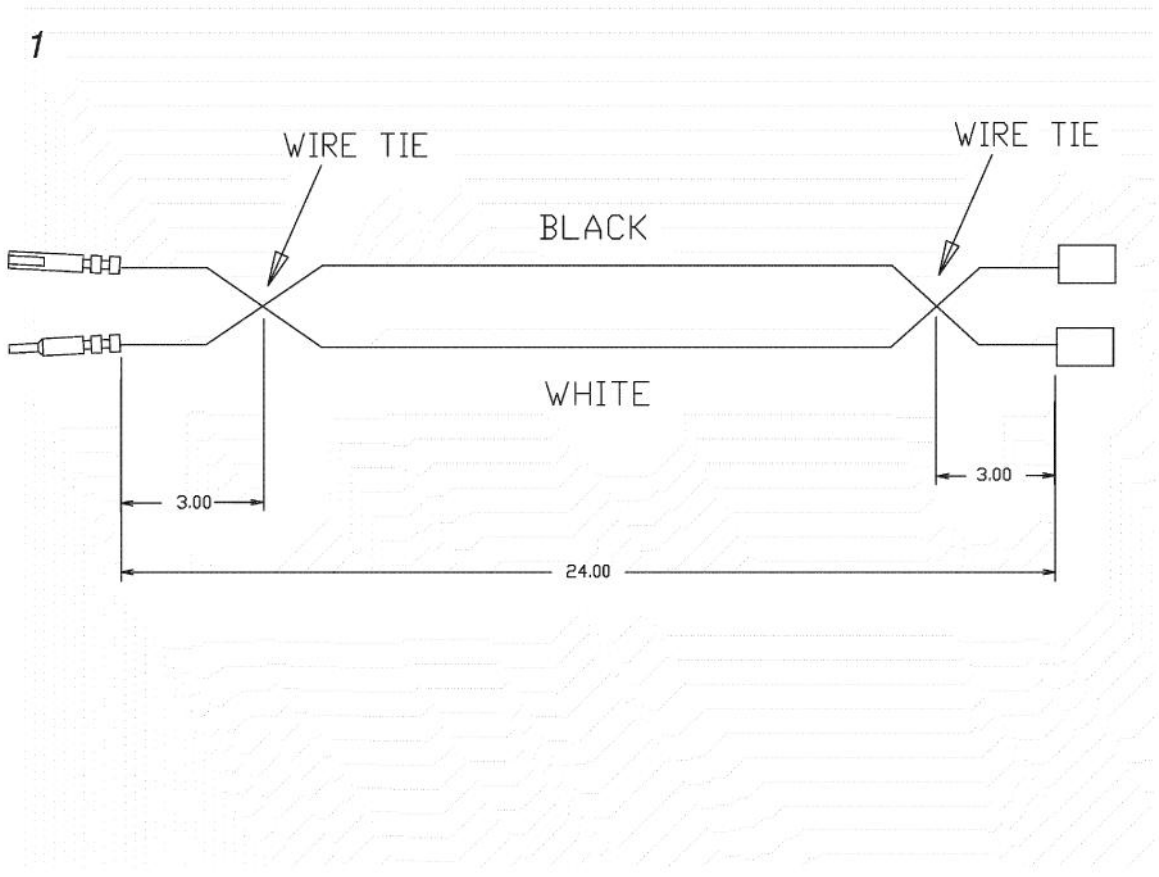




Ref #	Part Number	Qty.	Description
1	G30013336	1	48 DRIP TRAY ASSY. 6Q &4GQ
2	PD040028	3	BUSHING(.194ID/.750OD/.750LONG)
3	G30010697	1	DRIP TRAY HANDLE ASSY 48
	G93011461PVD	1	DRIP TRAY HANDLE ASSY 48 PVD
4	PB080061	1	GREASE PAN
5	PD040004	2	GROMMET BUMPER
6	A20010693	1	DRIP TRAY HANDLE BACK 48
7	PD020079	3	NO.10 X 1 1/4 PH. PAN HD. T(A) NYLOK



Ref #	Part Number	Qty.	Description
1	000647-000		IRIS IGNITOR WIRE, FRONT BURNER
2	000648-000		IRIS IGNITOR WIRE, BACK BURNER

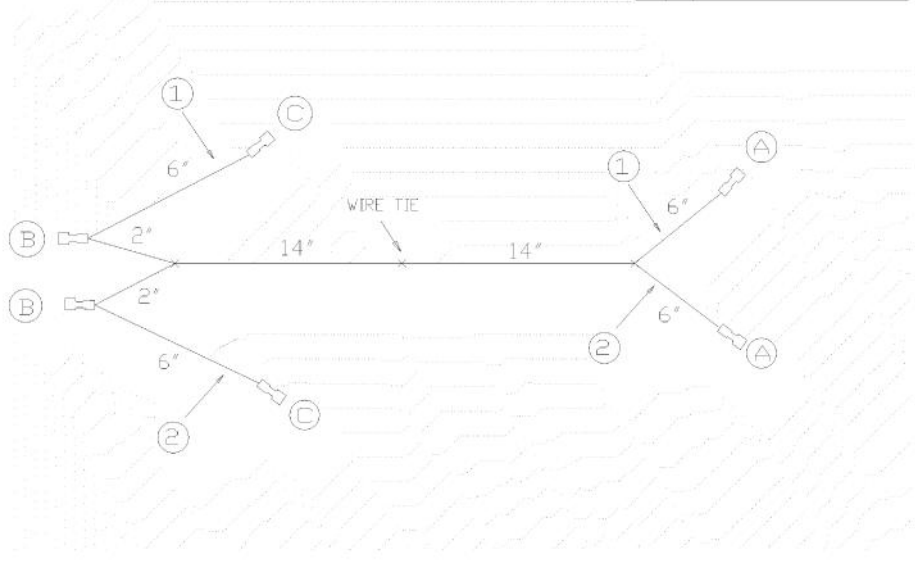


Ref #	Part Number	Qty.	Description
1	000837-000	1	VGRT SUPPLY CORD JUMPER (BEFORE 10/4/11)
NI	027347-000	1	SUPPLY CORD JUMPER (ON OR AFTER 10/4/11)

1

- ① = BLACK WIRE
- ② = WHITE WIRE

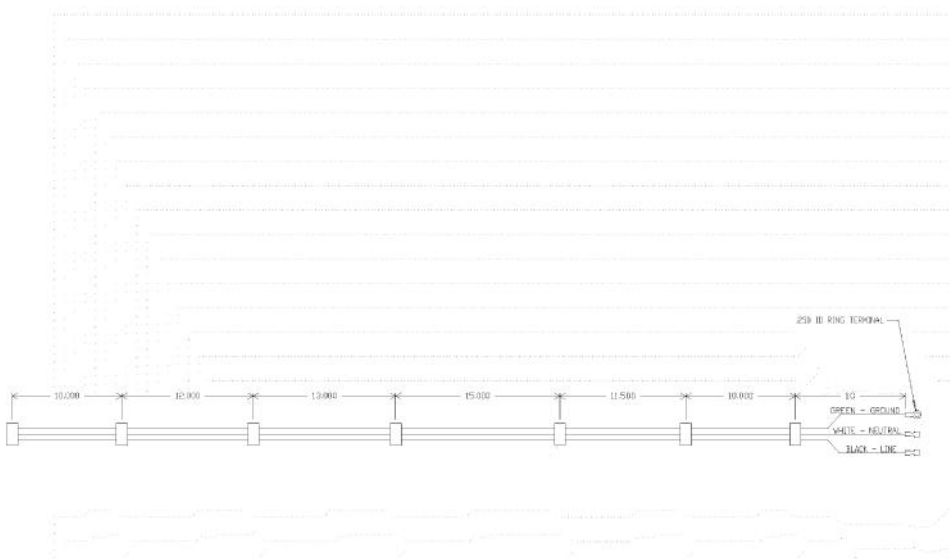
	QTY	DESCRIPTION
A	2	250 X .032 INSULATED FEMALE QUICK CONNECT
B	2	250 X .032 INSULATED FEMALE QUICK CONNECT
C	2	187 X .032 INSULATED FEMALE QUICK CONNECT



Ref #	Part Number	Qty.	Description
1	000879-000	1	GRIDDLE HARNESS W/IRIS

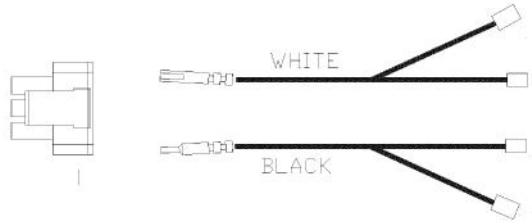
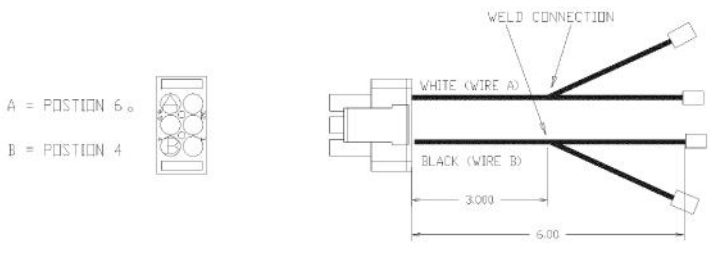


1



Ref #	Part Number	Qty.	Description
1	PE070891	1	IRIS HARNESS - 48

1



Ref #	Part Number	Qty.	Description
1	000878-000	1	IRIS POWER JUMPER W/GRIDDLE