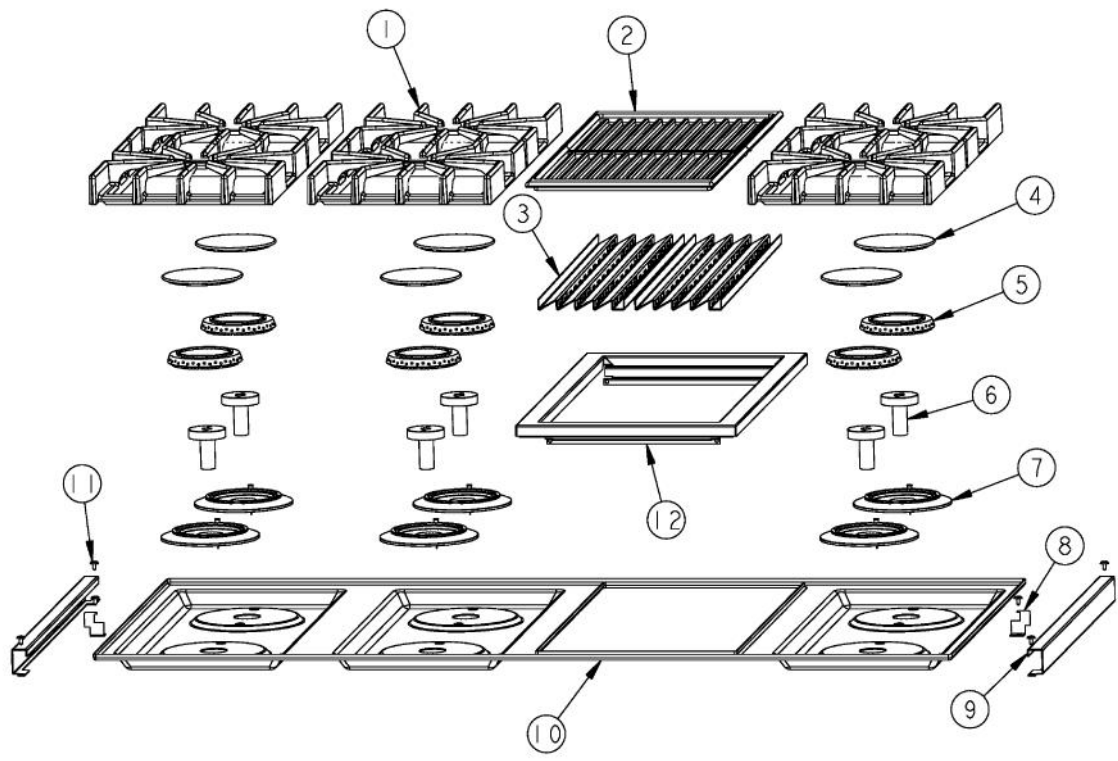
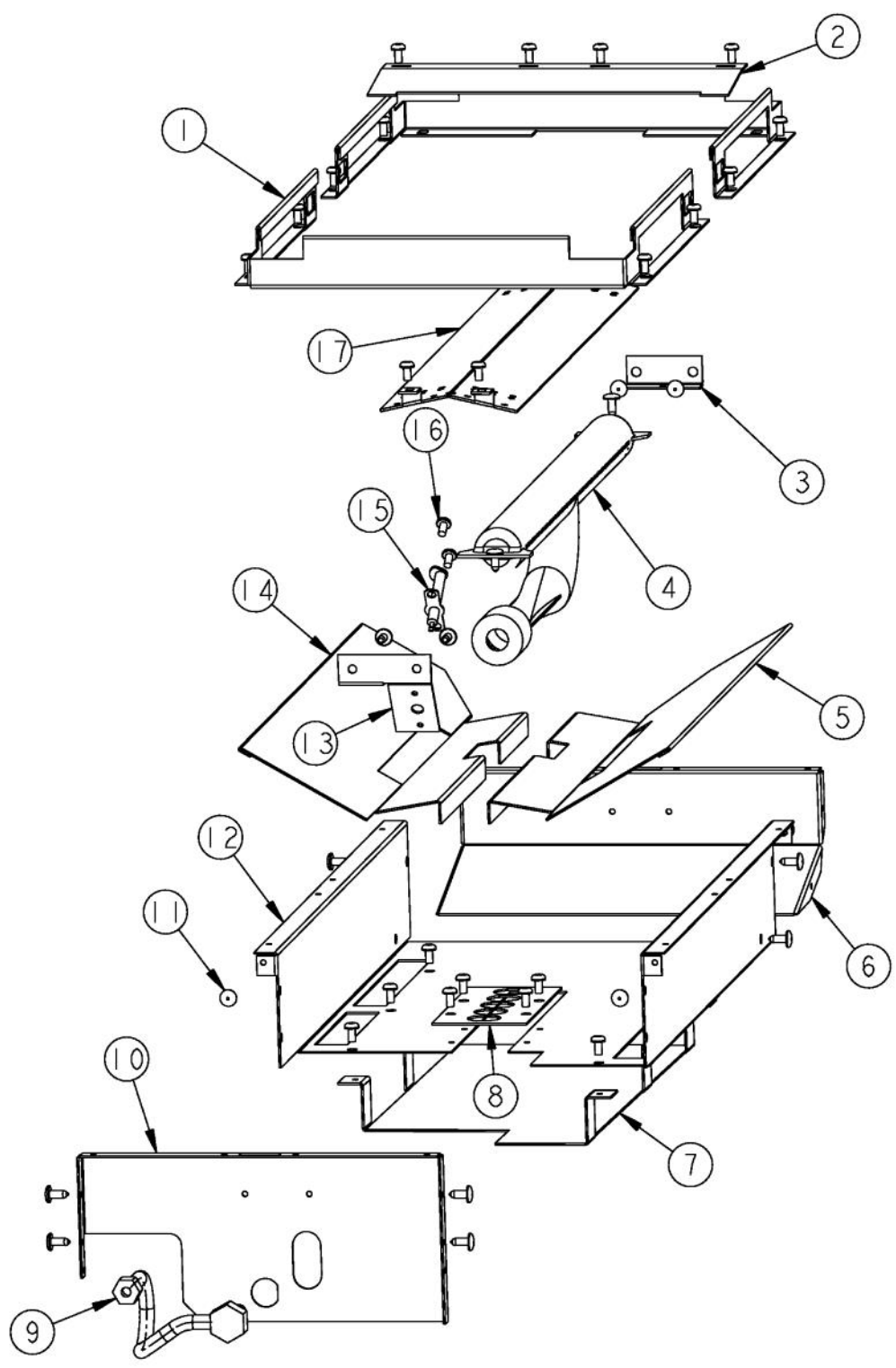


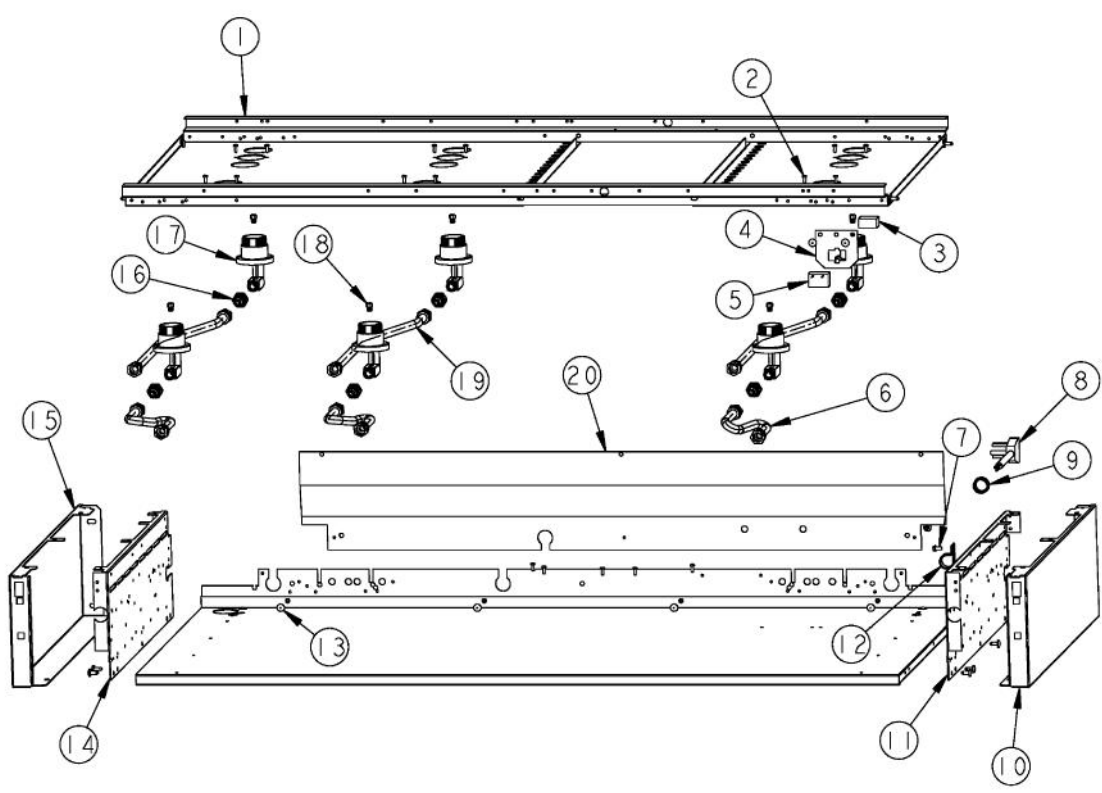
Ref #	Part Number	Qty.	Description
1	G3009843	1	SEALED LANDING LEDGE ASSY 48
2	PD030005	4	SELF RETAINING NUT
3	PA070001	1	PRESSURE REGULATOR (NAT.)
4	PA050115	1	UNIVERSAL 48 MANIFOLD
	002569-000	1	UNIVERSAL 48 MANIFOLD
5	PA010158	1	SUB TO 003517-000 - SEALED BURNER FLARE VALVE
6	PA010159	1	SUB TO 003536-000 - RANGE GRILL VALVE
7	PA010012	11	ROPER PLUG
8	PA020058	7	IRIS SINGLE SPARK MODULE
9	PD010003	4	10-24 X 1/2 PH.TR.HD.SERD.M.S.
10	PD020002	28	10 X 1/2 PH.TR.HD.SMS.
11	A1001138	1	MANIFOLD BRKT
12	PD010012	11	VALVE BOLT 1/4-20 UNC-2B 5/16 M.S.
13	PD020033	4	SRW-NO.10-24X1/2T(23)PH.WFR HD (NKL)
14	PB010208	7	BEZEL, CHROME PLATE
	PB010304	7	KNOB BEZEL
	PB010209	7	BEZEL BRASS
15	PD020067	3	NO.6 X 3/8 PAN PHIL. TEK SS
16	PB010206	6	VGSC,VGRC,VGRT TOP BURNER KNOB(BK)
	010914-000	6	KNOB, BNR, BK
	PB010207	6	VGSC,VGRC,VGRT TOP BURNER KNOB(WH)
17	PE010142	1	3 LOGO XBKXXCHROME
	PE010143	1	3 LOGO BK/BR
	PE010144	1	3 LOGO XWHXCHROME
	PE010145	1	LOGO - WH / BR
18	PA010122	1	VGRC/IC/RT GRILL KNOB (BK)
	PA010123	1	VGRC/IC/RT GRILL KNOB (WH)
19	B9202381	1	CTRL PAN- (VGRT480-6Q)XSLK SCR
	C9202381AL	1	CONTROL PANEL VGRT480-6Q XALX SILK SCR
	C9202381BK	1	CTRL PAN- XBKX (VGRT480-6Q) XSLK SC
	C9202381BT	1	CONTROL PANEL VGRT480-6Q XBTX SILK SCR
	C9202381BU	1	CONTROL PANEL VGRT480-6Q XBUX SILK SCR
	C9202381CB	1	CONTROL PANEL VGRT480-6Q XCBX SILK SCR
	C9202381EP	1	CONTROL PANEL VGRT480-6Q XEPX SILK SCR
	C9202381FG	1	CONTROL PANEL VGRT480-6Q XFGX SILK SCR
	C9202381GG	1	CONTROL PANEL VGRT480-6Q XGGX SILK SCR
	C9202381LE	1	CONTROL PANEL VGRT480-6Q XLEX SILK SCR
	C9202381MJ	1	CONTROL PANEL VGRT480-6Q XMJX SILK SCR
	C9202381SG	1	CONTROL PANEL VGRT480-6Q XSGX SILK SCR
	C9202381VB	1	CONTROL PANEL VGRT480-6Q XVBX SILK SCR
	C9202381WH	1	CTRL PAN- XWHX (VGRT480-6Q)XSLK S



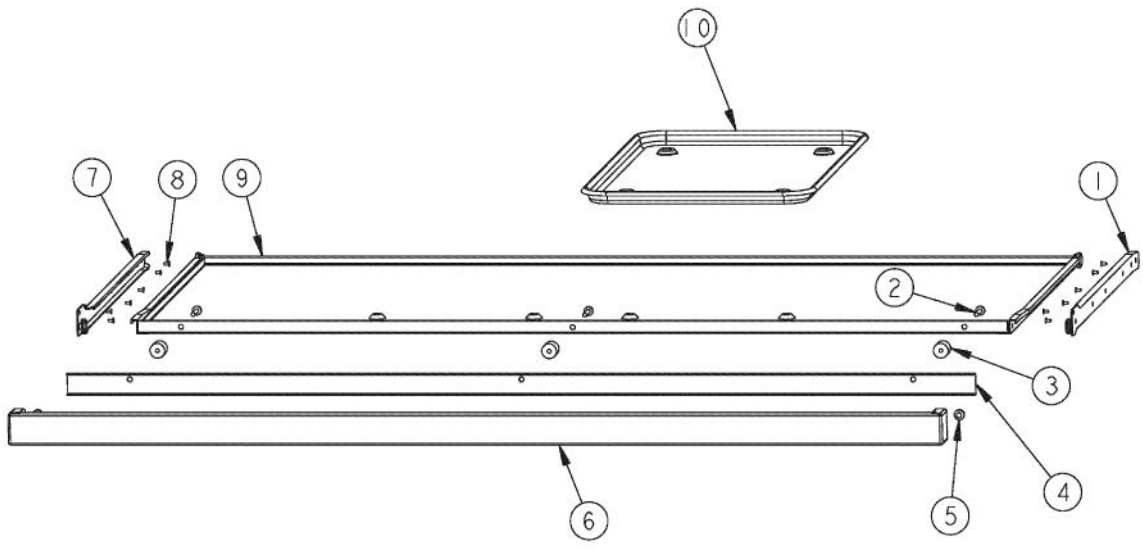
Ref #	Part Number	Qty.	Description
1	PA060054	6	SEALED GRATE XBKX
2	PA060058	2	GRILL GRATE - MATT XBKX RE PA060028
3	E9101130BK	2	GRILL SMOKE GENERATOR
4	PA080083	6	D BURNER CAP XMATTE BLACKX
5	PB050063	6	BURNER HEAD (BEFORE 12/18/07)
	001386-000	6	BURNER HEAD (AFTER 12/18/07)
6	PA010100	6	VENTURI D (VDSC3074B) (BEFORE 12/18/07)
7	PB050081	6	BURNER BASE ASSEMBLY (INCLUDES IGNITER) - BEFORE 12/18/07
	003322-040	6	SEALED BURNER BASE, TURNED FINISH (INCLUDES IGNITER) - AFTER 12/18/07
8	A2007858	2	SIDE TRIM BRKT
9	B2007851		SIDE TRIM
	C9307851		SIDE TRIM - BR
10	E9109801BK	1	48 SEALED COOKTOP 6BG & 6BQ XBKX
	E9109801WH	1	48 SEALED COOKTOP 6BG & 6BQ XWHX
11	PD020032	14	SRW-8(A)X3/8PH.WFR HD 7/16DIAXNICL
12	G9109808BK	1	GRILL GRATE SUPPORT - BK
	G9109808WH	1	GRILL SUPPORT ASSY XWHX
NI	003606-000	4	NO.6-32 SOCKET HEAD SCREW (AFTER 12/17/07)



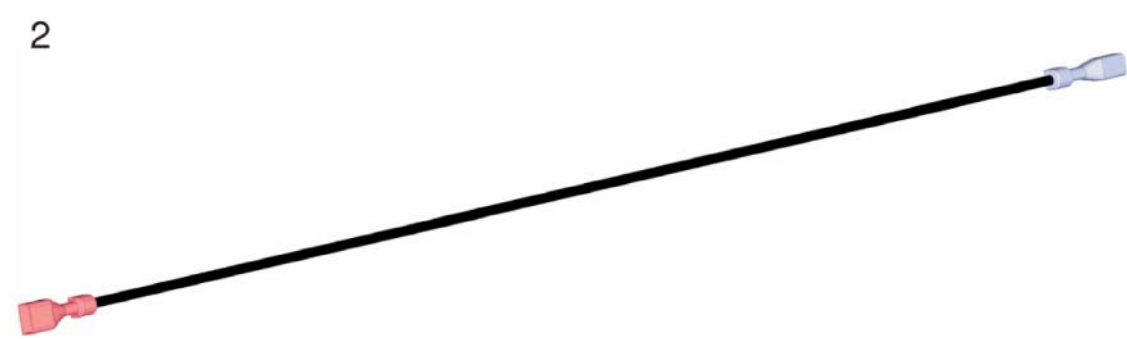
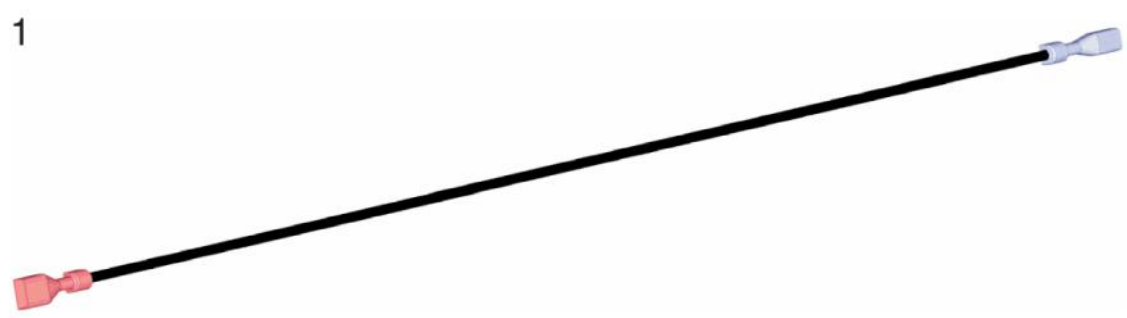
Ref #	Part Number	Qty.	Description
1	A2007871	1	SHIELD GRATE BRACKET
2	A20010162	1	SHIELD BRACE
3	A2001132	1	REAR GRILL BURNER BRKT (VGRT)
4	PB050077	6	GRILL BURNER
5	B20010163	1	HEAT DEFLECTOR
6	A2001855	1	GRILL BACK - (VGRC605)
7	A2001863	1	GRILL BTM SHIELD (VGRC605)
8	A1007861	1	GRIDDLE VENTURI COVER IC36
9	PB020025	1	TUBING-GRILL (REVISED) REP PB020021
10	A2001631	1	GRILL BOX FRONT (VGRC)
11	PD020002	40	10 X 1/2 PH.TR.HD.SMS.
12	A2007863	1	GRILL BOX
13	A2001633	1	GRILL FRONT SPARKER BRKT (VGRC)
14	B2009846	1	HEAT DEFLECTOR
15	PA020028	1	SPARK IGNITER
16	PD020004	6	10X3/8PH.HD.TYPE 25 REPL PD040125
17	G30012657	1	FLAME SHIELD ASSEMBLY



Ref #	Part Number	Qty.	Description
1	A20011234	1	BURNER BOX SUPPORT
2	PD020076	12	6-32 X 3/8 PHILL PAN MS
3	PE070071	1	DISCONNECT BLOCK XALX 770027-1
4	A1008487	1	SERVICE DISCONNECT BRACKET
5	000573-000	1	POWER JUMPER WIRE
6	PB020192	3	10 FLEX TUBING W/CONNECTORS
7	PD020010	1	10 X 3/8 GREEN GROUNDING SCREW
8	PE070128	1	SUPPLY CORD (VGRT/SC/SS/RC)
9	PD040005	1	SNAP BUSHING - 7/8
10	002152-000	1	SIDE PANEL, RH
11	A2006747	1	BURNER BOX SIDE RH (VDSC3074B)
12	PD030109	2	INSULATED CLAMP
13	PD020002	40	10 X 1/2 PH.TR.HD.SMS.
14	A2006748	1	BURNER BOX SIDE LH (VDSC3074B)
15	002153-000	1	SIDE PANEL, LH
16	PA050086	6	5/8 MALE FLARE FITTING
17	PA080075	6	BODY BURNER D (VDSC3074BSS) (BEFORE 12/18/07)
	001394-042	6	15000 BTU NAT JETHOLDER (AFTER 12/18/07)
	001394-043	6	13500 BTU LP JETHOLDER (AFTER 12/18/07)
18	PB040194	6	SEALED RANGE ORIFICE (NAT) (BEFORE 12/18/07)
	001396-040	6	15K NG ORIFICE (AFTER 12/18/07)
	PB040217	6	L.P. ORIFICE (BEFORE 12/18/07)
	001396-044	6	13.5K LP ORIFICE (AFTER 12/18/07)
19	PB020193	3	16 FLEX TUBING W/CONNECTORS
20	A20012051	1	REAR SHIELD VGIC487

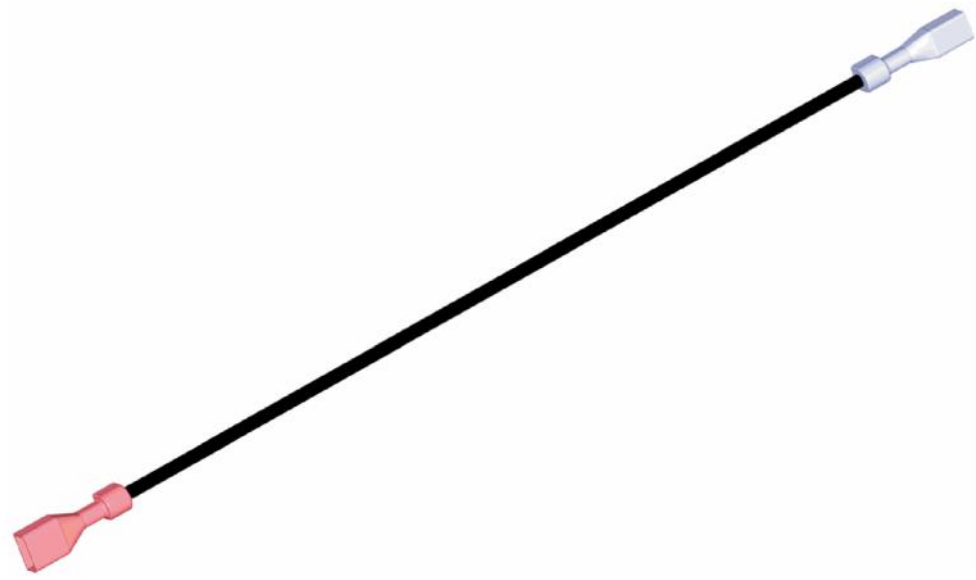


Ref #	Part Number	Qty.	Description
1	PK000008	1	DRIP TRAY GUIDE - RH
2	PD020049	3	NO.10 X 1 1/4 PH. PAN HD. T(A)
3	PD040028	3	BUSHING(.194ID/.750OD/.750LONG)
4	A20010693	1	DRIP TRAY HANDLE BACK 48
5	PD040004	2	GROMMET BUMPER
6	G30010697	1	DRIP TRAY HANDLE ASSY 48
	G93011461PVD	1	DRIP TRAY HANDLE ASSY 48 PVD
7	PK000007	1	DRIP TRAY GUIDE - LH (VGRT)
8	PC040010	3	POP RIVET
9	G30013336	1	48 DRIP TRAY ASSY. 6Q &4GQ
10	PB080061	2	GREASE PAN

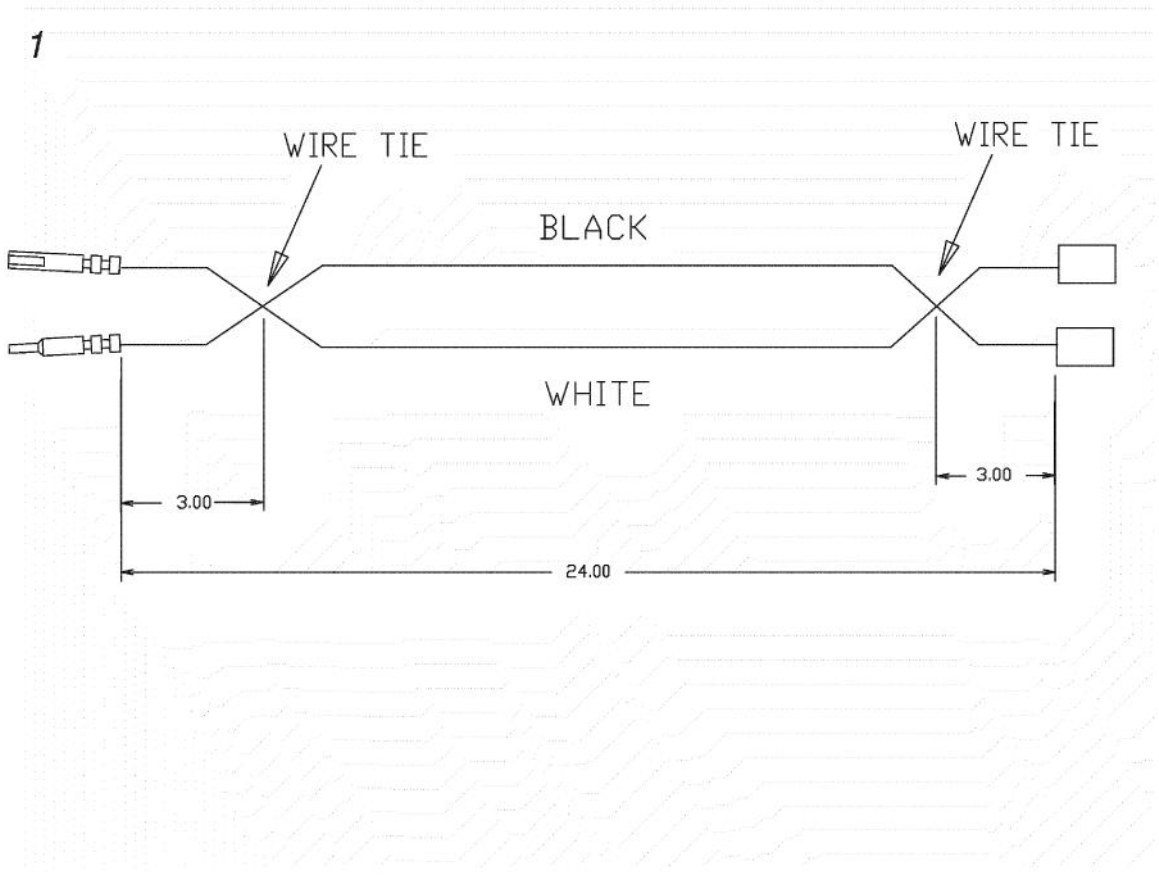


Ref #	Part Number	Qty.	Description
1	000647-000	1	IRIS IGNITOR WIRE, FRONT BURNER
2	000648-000	1	IRIS IGNITOR WIRE, BACK BURNER

1

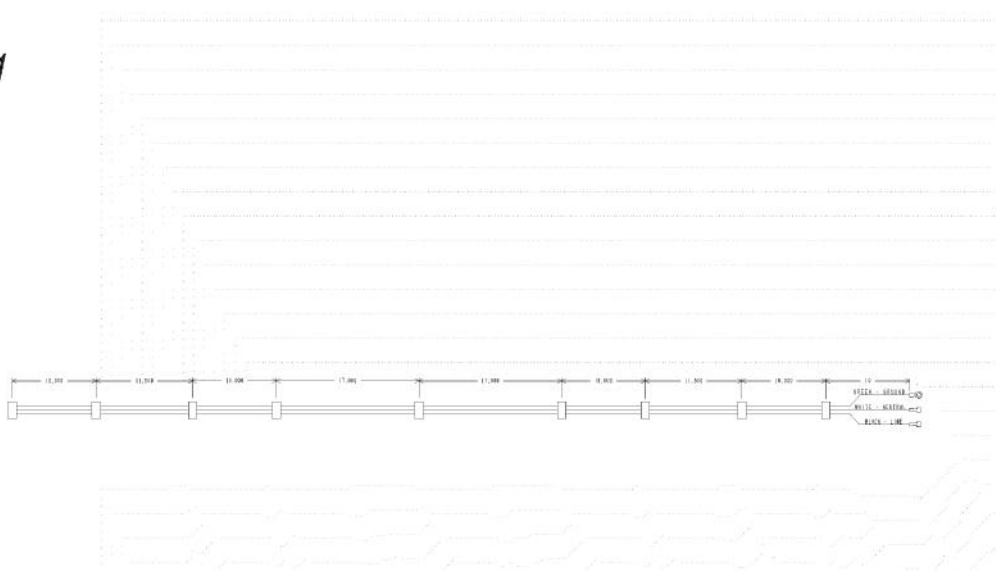


Ref #	Part Number	Qty.	Description
1	000649-000	1	IRIS IGNITOR WIRE, GRILL



Ref #	Part Number	Qty.	Description
1	000837-000	1	VGRT SUPPLY CORD JUMPER (BEFORE 10/4/11)
NI	027347-000		SUPPLY CORD JUMPER (ON OR AFTER 10/4/11)

1



Ref #	Part Number	Qty.	Description
1	PE070892	1	IRIS HARNESS - 60