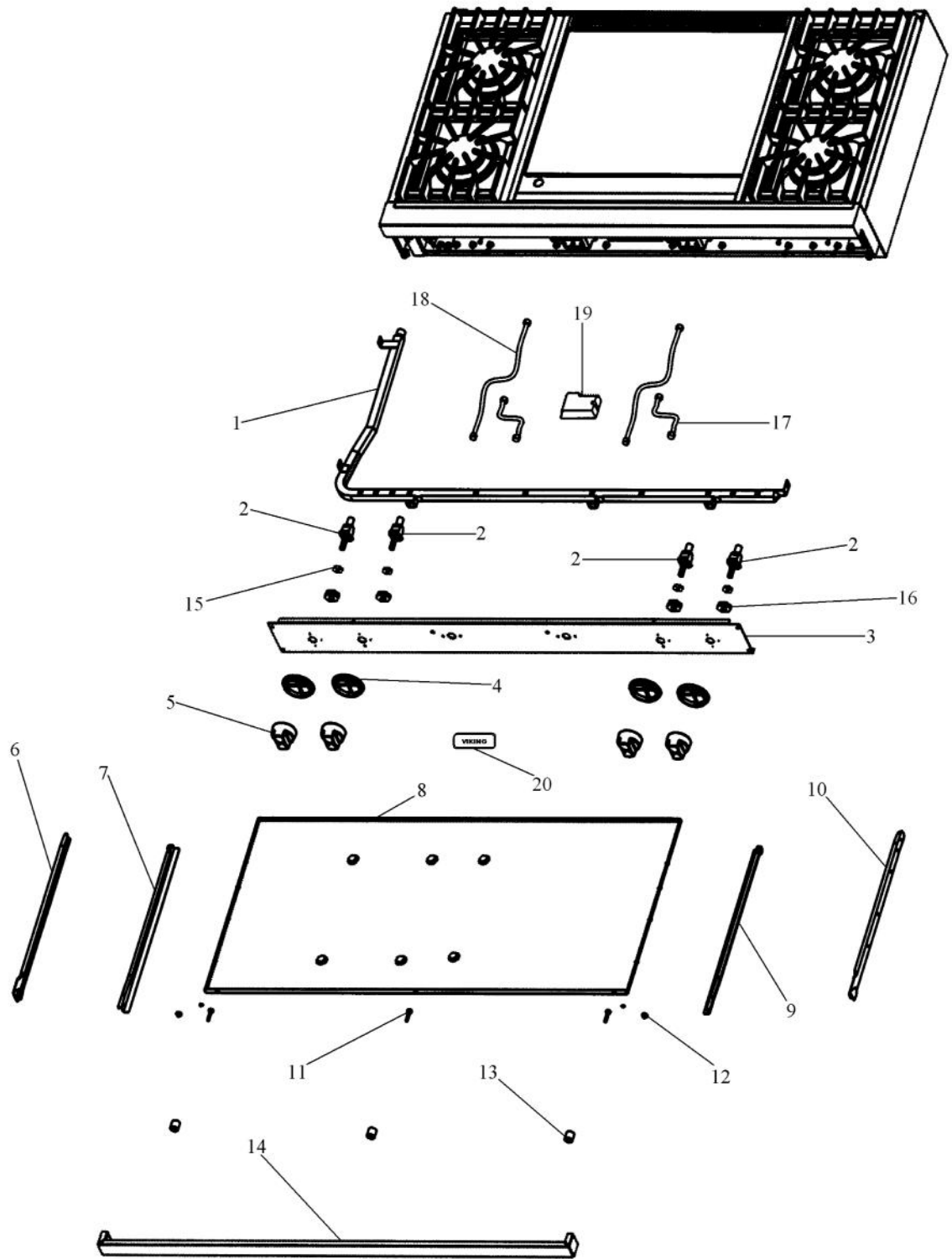
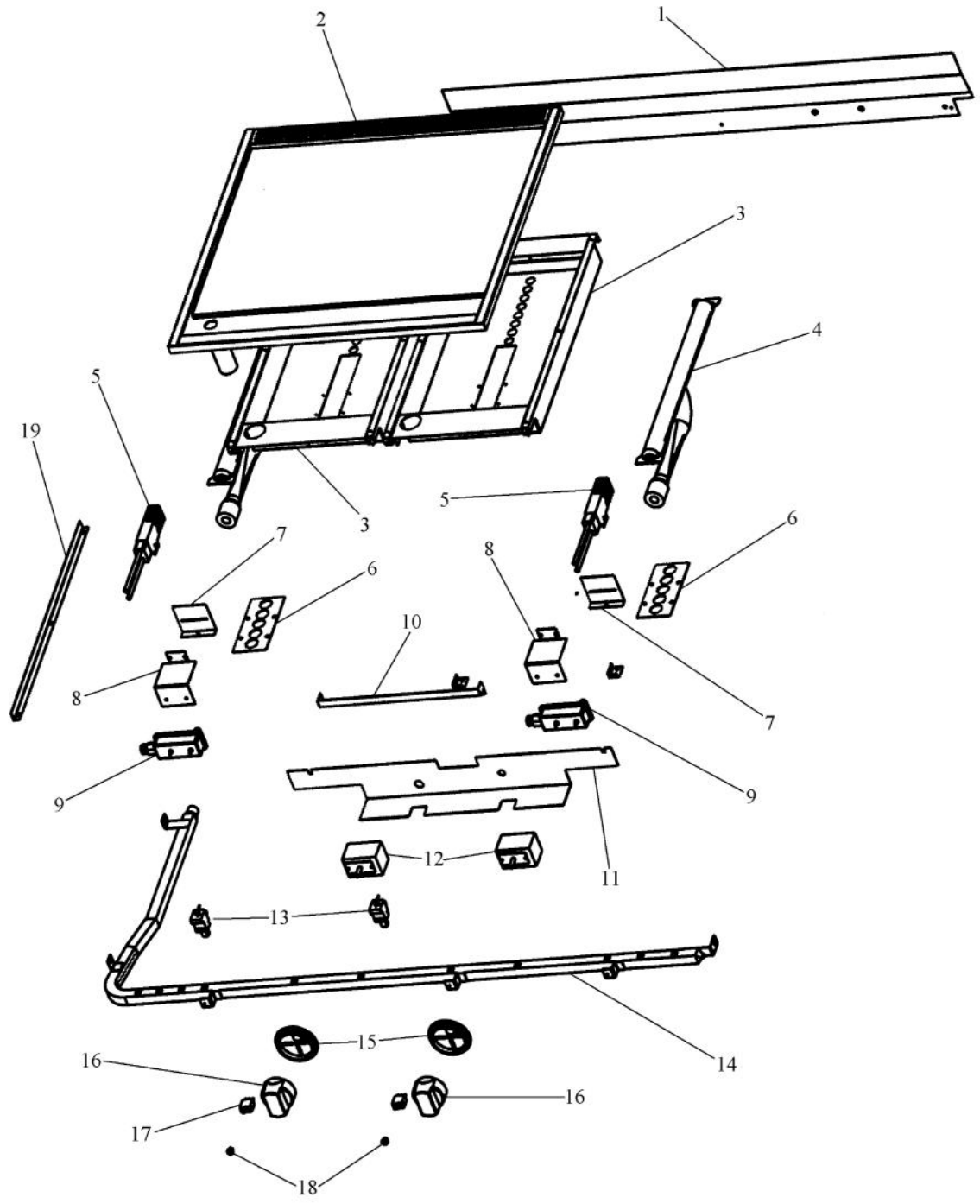


Ref #	Part Number	Qty.	Description
1	PA060054		SEALED GRATE XBKX
	PA060062		SEALED GRATE GRAY
2	PA080045		BURNER CAP - BK?
	PA080086		D BURNER CAP XMATTE GRAYX
3	PB050063		BURNER HEAD
4	PB040264		GLAZED ELECTRODE REPLACED BY PB050081
5	ORDER IGNITER		N/A
6	PB050062		BURNER BASE
7	PB070124		GASKET (VDSC3074B) REPLACED BY PB050081
8	PA010100		VENTURI D (VDSC3074B)
9	PA080075		BODY BURNER D (VDSC3074BSS)
10	E9109804AL		MAIN TOP ASSY - 4G (AL)
	E9109804BK		MAIN TOP (VDSC4G/4Q)
	E9109804BT		MAIN TOP ASSY - 4G (BT)
	E9109804CB		MAIN TOP ASSY - 4G (CB)
	E9109804EP		MAIN TOP ASSY - 4G (EP)
	E9109804FG		MAIN TOP ASSY - 4G (FG)
	E9109804GG		MAIN TOP ASSY - 4G (GG)
	E9109804LE		MAIN TOP ASSY - 4G (LE)
	E9109804MJ		MAIN TOP ASSY - 4G (MJ)
	E9109804SG		MAIN TOP ASSY - 4G (SG)
	E9109804VB		MAIN TOP ASSY - 4G (VB)
	E9109804WH		MAIN TOP (VDSC4G/4Q) XWHX
	E9109801AL		MAIN TOP ASSY - 6G / 6Q (AL)
	E9109801BK		48 SEALED COOKTOP 6BG & 6BQ XBKX
	E9109801BT		MAIN TOP ASSY - 6G / 6Q (BT)
	E9109801CB		MAIN TOP ASSY - 6G / 6Q (CB)
	E9109801EP		MAIN TOP ASSY - 6G / 6Q (EP)
	E9109801FG		MAIN TOP ASSY - 6G / 6Q (FG)
	E9109801GG		MAIN TOP ASSY - 6G / 6Q (GG)
	E9109801LE		MAIN TOP ASSY - 6G / 6Q (LE)
	E9109801MJ		MAIN TOP ASSY - 6G / 6Q (MJ)
	E9109801SG		48 SEALED COOKTOP 6BG & 6BQ XSGX
	E9109801VB		MAIN TOP ASSY - 6G / 6Q (VB)
	E9109801WH		48 SEALED COOKTOP 6BG & 6BQ XWHX
	E9109803AL		MAIN TOP ASSY - 4GQ (AL)
	E9109803BK		48 SEALED COOKTOP 4BGQ XBKX
	E9109803BT		MAIN TOP ASSY - 4GQ (BT)
	E9109803CB		MAIN TOP ASSY - 4GQ (CB)
	E9109803EP		MAIN TOP ASSY - 4GQ (EP)
	E9109803FG		MAIN TOP ASSY - 4GQ (FG)
	E9109803GG		MAIN TOP ASSY - 4GQ (GG)
	E9109803LE		MAIN TOP ASSY - 4GQ (LE)
	E9109803MJ		MAIN TOP ASSY - 4GQ (MJ)
	E9109803SG		MAIN TOP ASSY - 4GQ (SG)
	E9109803VB		MAIN TOP ASSY - 4GQ (VB)
	E9109803WH		48 SEALED COOKTOP 4BGQ XWHX
11	A20010184		48 SEALED BURNER SUPPORT
	A20011240		48 SEALED BURNER SUPT. (4GQ)
	A20011234		BURNER BOX SUPPORT
12	B2007851		SIDE TRIM
	C9307851BR		SIDE TRIM XBRX
13	B2007857		LFT SIDE PANEL
14	B2007856		RT SIDE PANEL
15	A2006748		BURNER BOX SIDE LH (VDSC3074B)
16	A2006747		BURNER BOX SIDE RH (VDSC3074B)
17	G3009843		SEALED LANDING LEDGE ASSY 48
NI	G50013889		VGRT482-4G BURNER SUPPORT SERVICE KIT
NI	G50013890		VGRT482-4Q BURNER SUPPORT SERVICE KIT
NI	G50013891		VGRT482-4GQ BURNER SUPPORT SERVICE KIT

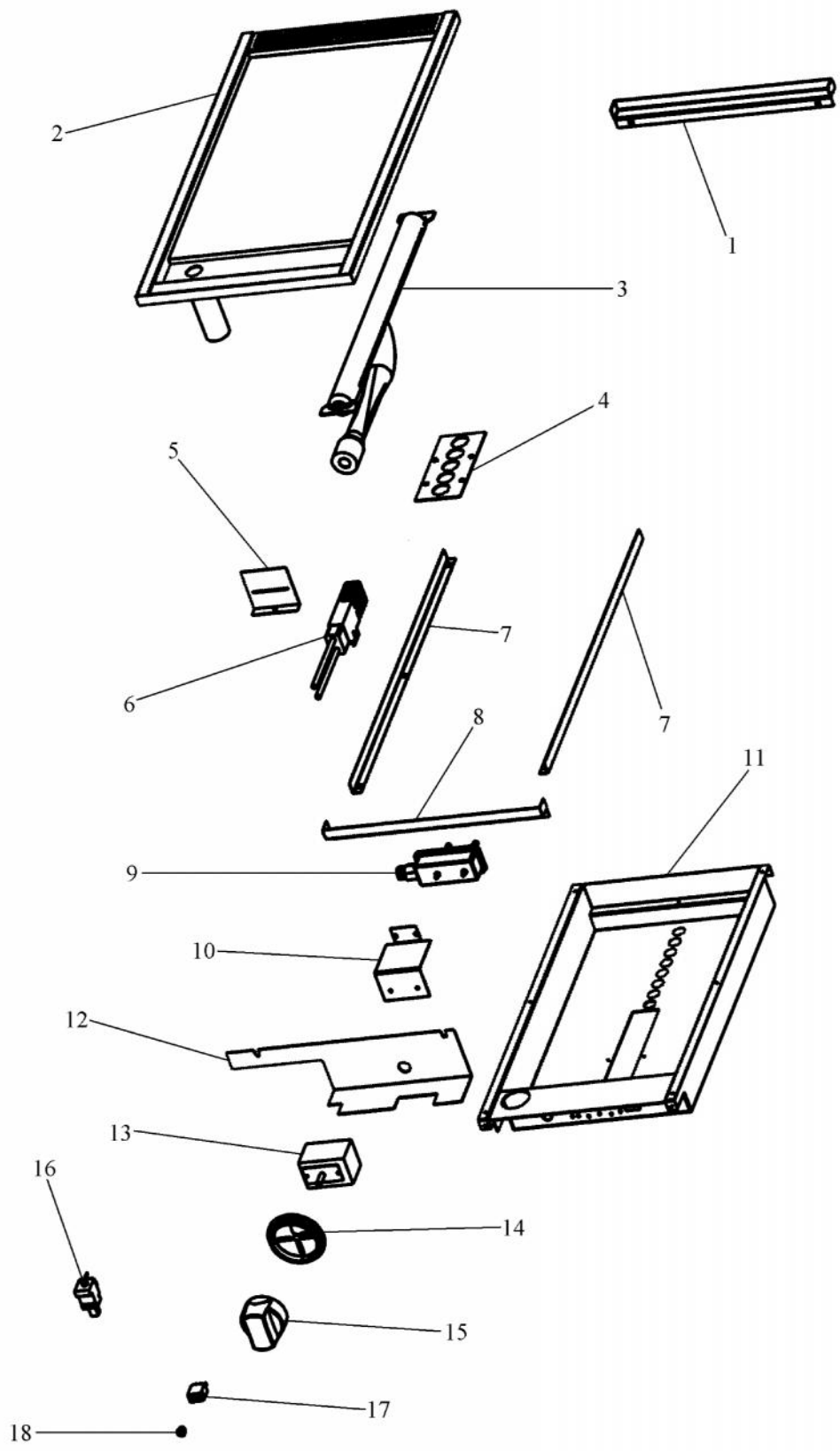
Ref #	Part Number	Qty.	Description
NI	G50013891		VGRT482-4GQ BURNER SUPPORT SERVICE KIT
NI	G50013892		VGRT482-6G BURNER SUPPORT SERVICE KIT
NI	G50013893		VGRT482-6Q BURNER SUPPORT SERVICE KIT



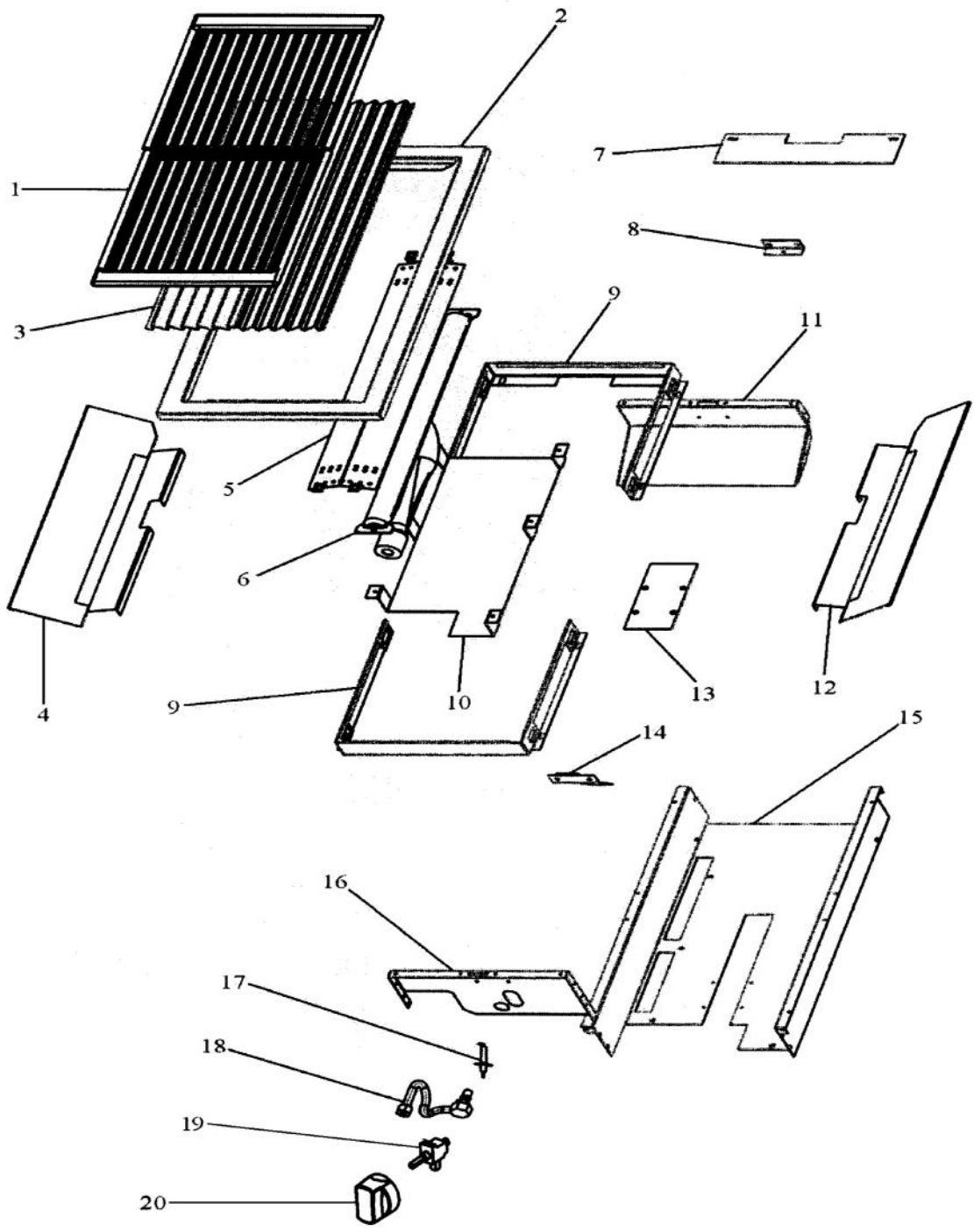
Ref #	Part Number	Qty.	Description
1	PA050115		UNIVERSAL 48 MANIFOLD
2	G50012679		SEALED BURNER VALVE KIT
	PA010158		SUB TO 003517-000 - SEALED BURNER FLARE VALVE
3	B9201580		CTRL PAN-(VGRT48-4G) XSLK SCRX
	B92012188		CONTROL PANEL (VGRT4824Q)
	B9202379		CTRL PAN- (VGRT480-4GQ)XSLK SCRX
	B9202380		CTRL PAN- (VGRT480-6G)XSLK SCRX
	B9202381		CTRL PAN- (VGRT480-6Q)XSLK SCRX
4	PB010208		BEZEL, CHROME PLATE
	PB010209		BEZEL BRASS
5	PB010206		VGSC,VGRC,VGRT TOP BURNER KNOB(BK)
	PB010207		VGSC,VGRC,VGRT TOP BURNER KNOB(WH)
6	PK000007		DRIP TRAY GUIDE - LH (VGRT)
7	PK000009		RUNNER, DRIP TRAY - LH (VGRT)
8	G3002825		DRIP TRAY (VDSC48)
9	PK000010		RUNNER, DRIP TRAY - RH (VGRT)
10	PK000008		DRIP TRAY GUIDE - RH
11	PD020049		NO.10 X 1 1/4 PH. PAN HD. T(A)
12	PD040004		GROMMET BUMPER
13	PD040028		BUSHING(.194ID/.750OD/.750LONG)
14	G30010697		DRIP TRAY HANDLE ASSY 48
	G93011461PVD		DRIP TRAY HANDLE ASSY 48 PVD
15	PA020029		SWITCH SPACER
16	PA020015		SPARK IGNITION SWITCH
	PA020045		IGNITOR SWITCH
17	PB020192		10 FLEX TUBING W/CONNECTORS
18	PB020193		16 FLEX TUBING W/CONNECTORS
19	PA020047		INVENSYS 0+4 RE-IGNITION SPARK MODULE (6Q TAKES TWO MODULES)
	PA020048		INVENSYS 0+6 RE-IGNITION SPARK MODULE
20	PE010142		3 LOGO XBKXXCHROME
	PE010144		3 LOGO XWHXCHROME
	PE010143		3 LOGO BK/BR
	PE010145		LOGO - WH / BR



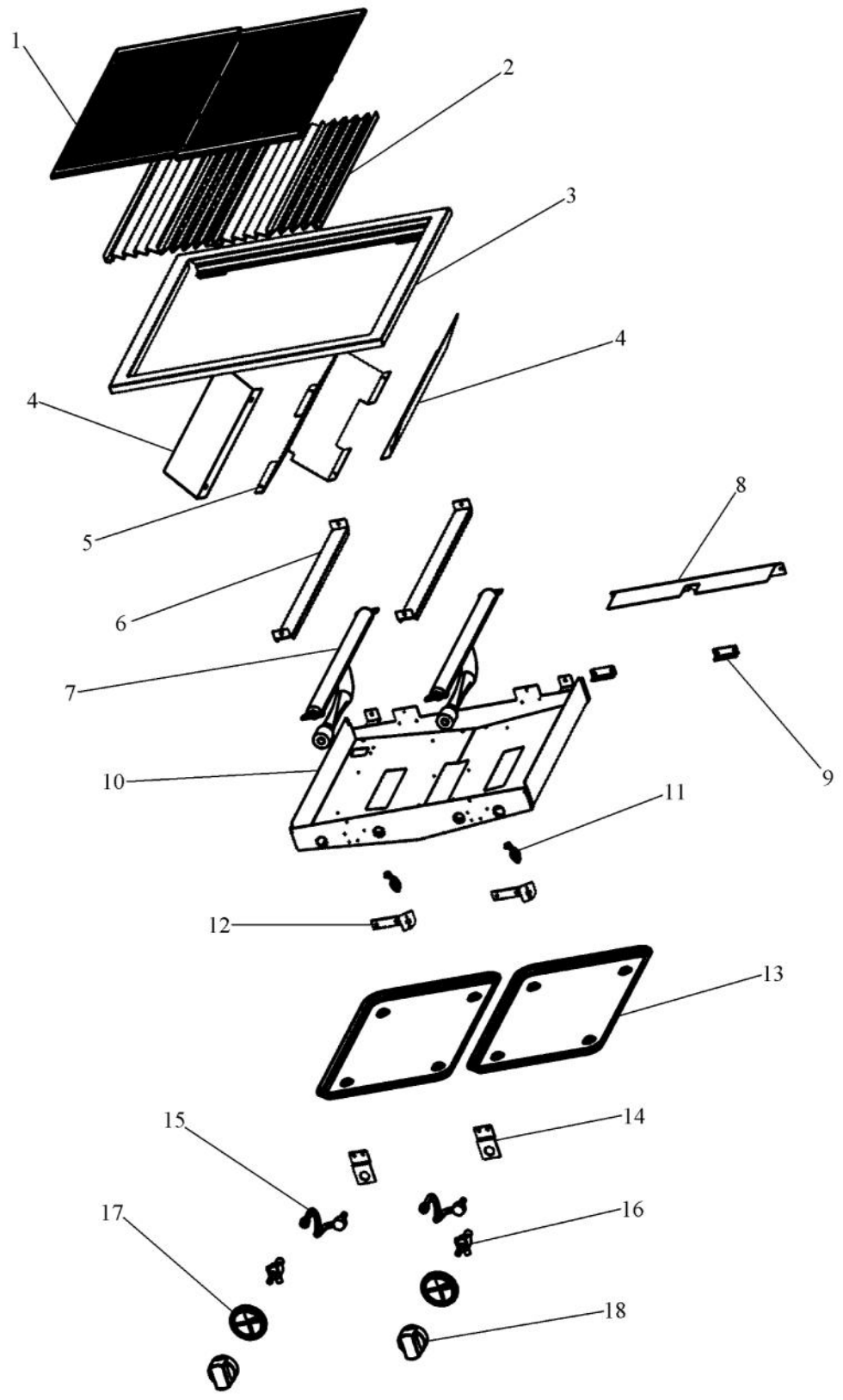
Ref #	Part Number	Qty.	Description
1	A20012051		REAR SHIELD VGIC487
2	G3009847		SEALED GRIDDLE ASSEMBLY
3	A2007862		GRIDDLE BOX (VGIC3674G)
4	PB050074		SEALED GRIDDLE BURNER
5	PB040001		IGNITOR - (ALL RANGES)
6	A1007861		GRIDDLE VENTURI COVER IC36
7	A2009580		GRIDDLE BURNER BRACKET
8	A2007867		VALVE BRACKET
9	PB010004		SINGLE SAFETY VALVE (NAT. GRIDDLE)
10	A2007866		GRIDDLE FLUE COVER (VGIC3674G)
11	A20010463		COMPONENT SHIELD
12	PB010264		GRIDDLE THERMOSTAT
13	PB030002		SUB TO 003862-000 - SHUTOFF VALVE
14	PA050115		UNIVERSAL 48 MANIFOLD
15	PB010208		BEZEL, CHROME PLATE
	PB010209		BEZEL BRASS
16	PB010103		GRIDDLE KNOB N/S XBKX
	PB010104		GRIDDLE KNOB N/S XWHX
17	PE050024		OVEN IND. LIGHT (LIGHT HOUSING)
18	PE050023		OVEN IND. LIGHT (LENS & BEZEL)
19	A20010657		GRIDDLE BOX FLANGE
NI	PB020116		TUBING - 10 FLEXIBLE 12 & 24



Ref #	Part Number	Qty.	Description
1	A2007866		GRIDDLE FLUE COVER (VGIC3674G)
2	G3009156		GRIDDLE ASSEMBLY
3	PB050074		SEALED GRIDDLE BURNER
4	A1007861		GRIDDLE VENTURI COVER IC36
5	A2009580		GRIDDLE BURNER BRACKET
6	PB040001		IGNITOR - (ALL RANGES)
7	A20010657		GRIDDLE BOX FLANGE
8	A2007866		GRIDDLE FLUE COVER (VGIC3674G)
9	PB010004		SINGLE SAFETY VALVE (NAT. GRIDDLE)
10	A2007867		VALVE BRACKET
11	A2007862		GRIDDLE BOX (VGIC3674G)
12	A20010470		COMPONENT SHIELD IC487
13	PB010264		GRIDDLE THERMOSTAT
14	PB010208		BEZEL, CHROME PLATE
	PB010209		BEZEL BRASS
15	PB010103		GRIDDLE KNOB N/S XBKX
	PB010104		GRIDDLE KNOB N/S XWHX
16	PB030002		SUB TO 003862-000 - SHUTOFF VALVE
17	PE050024		OVEN IND. LIGHT (LIGHT HOUSING)
18	PE050023		OVEN IND. LIGHT (LENS & BEZEL)
NI	PB020116		TUBING - 10 FLEXIBLE 12 & 24



Ref #	Part Number	Qty.	Description
1	PA060058		GRILL GRATE - MATT XBKX RE PA060028
	PA060029		GRILL GRATE - GR
2	G9109811AL		GRILL SUPPORT ASSEMBLY - AL
	G9109811		GRILL SUPT ASSY XBKX
	G9109811BT		GRILL SUPPORT ASSEMBLY - BT
	G9109811CB		GRILL SUPPORT ASSEMBLY - CB
	G9109811EP		GRILL SUPPORT ASSEMBLY - EP
	G9109811FG		GRILL SUPPORT ASSEMBLY - FG
	G9109811GG		GRILL SUPPORT ASSEMBLY - GG
	G9109811LE		GRILL SUPPORT ASSEMBLY - LE
	G9109811MJ		GRILL SUPPORT ASSEMBLY - MJ
	G9109811SG		GRILL SUPPORT ASSEMBLY - SG
	G9109811VB		GRILL SUPPORT ASSEMBLY - VB
	G9109811WH		GRILL SUPT ASSY XWHX
3	E9101130BK		GRILL SMOKE GENERATOR
4	B2009846		HEAT DEFLECTOR
5	B2009866		SEALED FLAME SHIELD
6	PB050077		GRILL BURNER
7	A10010162		SHIELD BRACE
8	A2001132		REAR GRILL BURNER BRKT (VGRT)
9	A2007871		SHIELD GRATE BRACKET
10	A2001863		GRILL BTM SHIELD (VGRC605)
11	A2001855		GRILL BACK - (VGRC605)
12	B20010163		HEAT DEFLECTOR
13	A1001636		GRIDDLE VENTURI COVER
14	A2001633		GRILL FRONT SPARKER BRKT (VGRC)
15	A2007863		GRILL BOX
16	A2001631		GRILL BOX FRONT (VGRC)
17	PA020014		SPARK IGNITOR
18	PB020025		TUBING-GRILL (REVISED) REP PB020021
19	PA010030		GRILL VALVE-(VGRT)
20	PA010122		VGRC/IC/RT GRILL KNOB (BK)
	PA010123		VGRC/IC/RT GRILL KNOB (WH)



Ref #	Part Number	Qty.	Description
1	PA060080		24 GRILL GRATE XBLACKX
	PA060081		GRILL GRATE - GR
2	E9101130BK		GRILL SMOKE GENERATOR
3	G91010148AL		GRILL GRATE SUPPORT - AL
	G91010148BK		SEALED 24 GRILL FRAME ASSY. BK
	G91010148BT		GRILL GRATE SUPPORT - BT
	G91010148CB		GRILL GRATE SUPPORT - CB
	G91010148EP		GRILL GRATE SUPPORT - EP
	G91010148FG		GRILL GRATE SUPPORT - FG
	G91010148GG		GRILL GRATE SUPPORT - GG
	G91010148LE		GRILL GRATE SUPPORT - LE
	G91010148MJ		GRILL GRATE SUPPORT - MJ
	G91010148SG		GRILL GRATE SUPPORT - SG
	G91010148VB		GRILL GRATE SUPPORT - VB
	G91010148WH		SEALED 24 GRILL FRAME ASSY. WH
4	A2009544		SIDE SHIELD, VGIC245Q
5	B2008483		24 GRILL DRIP COVER
6	B2008484		24 GRILL FLAME SHIELD
7	PB050077		GRILL BURNER
8	A20012113		4Q HEAT SHIELD
9	A2008480		24 GRILL REAR BURNER SUPT BRKT
10	G30011250		24 GRILL BURNER BOX ASSY
11	PB040160		WOK IGNITER
12	A2009781		GRILL BURNER BRACKET
13	J2101749		GREASE PAN
14	A2008481		24 GRILL ORIFICE BRACKET
15	PB020025		TUBING-GRILL (REVISED) REP PB020021
16	G50012686		CHAR-GRILL VALVE KIT (BEFORE 4/20/05)
	PA010158		SUB TO 003517-000 - SEALED BURNER FLARE VALVE
17	PB010208		BEZEL, CHROME PLATE
	PB010209		BEZEL BRASS
18	PA010039		TOP GRILL KNOXBKX (VGRC) (N/STYLE
	PA010040		TOP GRILL KNOBXWHX (VGRC) (N/STYLE