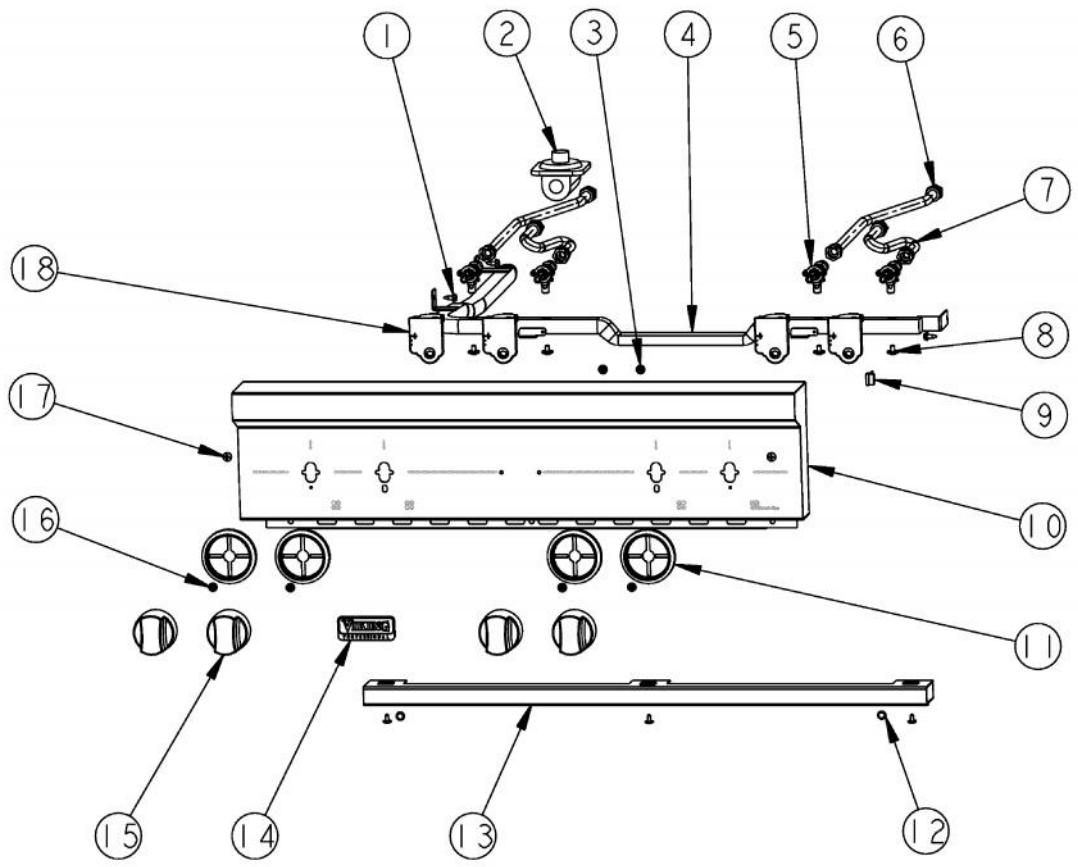
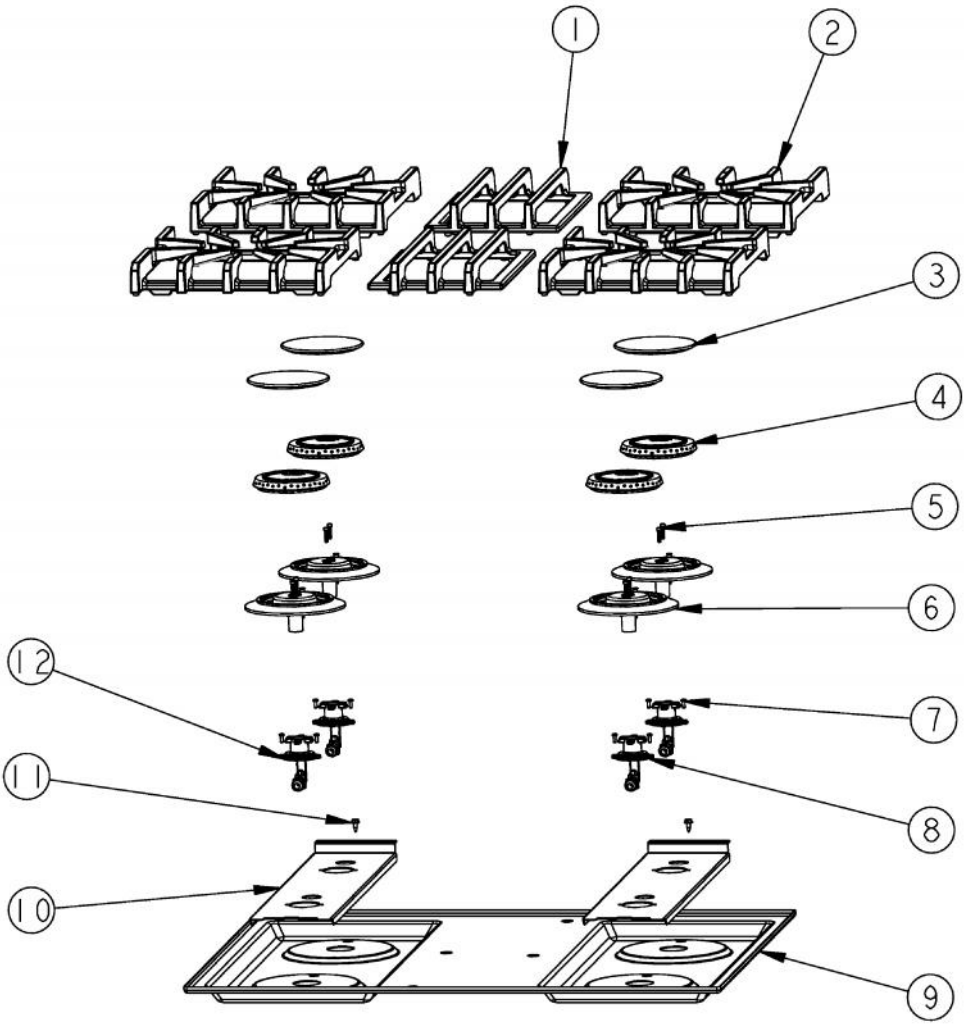


Ref #	Part Number	Qty.	Description
1	003481-000	1	BURNER BOX SIDE, LH
2	002925-000	1	FRONT SUPPORT, BURNER BOX
3	002924-000	1	REAR SUPPORT, BURNER BOX
4	PD020055	4	NO.10 X 1/2 PAN PHIL. TEK. SS
5	014168-000	1	RANGETOP, PANEL, BACK, VGRT
6	PE070071	1	DISCONNECT BLOCK XALX 770027-1
7	PD030148	1	CLAMP CABLE ALUMINUM .500 DIA. (AL-8 CLAMP)
8	PE070128	1	SUPPLY CORD (VGRT/SC/SS/RC)
9	004464-000	1	TRIM, IS, ASM, REDESIGN, 30
10	002755-000	1	BURNER BOX SIDE, RH
11	002920-000	1	SIDE TRIM, RH - STAINLESS
12	004021-000	2	SUPPORT,TRIM,SIDE
13	008100-000	1	PANEL, RH RANGETOP
14	003860-000	31	NO.10-18 X .500 FASTNR,SCR,HXWH,STL,ZPLT
15	PD020032	8	SRW-8(A)X3/8PH.WFR HD 7/16DIAXNICL
16	PD030109	1	INSULATED CLAMP
17	PD040005	1	SNAP BUSHING - 7/8
18	014412-000	1	RANGETOP, PANEL, BTM, VGRT530
19	000573-000	1	POWER JUMPER WIRE
20	002922-000	1	BURNER BOX BOTTOM
21	004016-000	1	PLATE,SVCE,RGLT
22	PD020010	2	10 X 3/8 GREEN GROUNDING SCREW
23	003801-000	2	SHOULDER SCREW, NO.10
24	008101-000	1	PANEL, LH, RANGETOP
25	003649-000	1	SIDE TRIM, LH - STAINLESS



Ref #	Part Number	Qty.	Description
1	003860-000	3	NO.10-18 X .500 FASTNR,SCR,HXWH,STL,ZPLT
2	PA070001	1	PRESSURE REGULATOR (NAT.)
3	PD030006	2	CAPPED WASHER PAL NUT
4	002926-000	1	GAS MANIFOLD, REDESIGN
5	004507-000	4	SUB TO 006313-000 - VALVE,BRS,ASM, TOP,BURNER, FLRE,...
6	PB020193	2	16 FLEX TUBING W/CONNECTORS
7	PB020192	2	10 FLEX TUBING W/CONNECTORS
8	PD010012	4	VALVE BOLT 1/4-20 UNC-2B 5/16 M.S.
9	PE070889	1	IRIS HARNESS - 30
10	014406-000	1	CONTROL, PANEL, ASM, VGRT530-4B
11	PB010304	4	KNOB BEZEL
	PB010304PVD	4	RESTYLE KNOB BEZEL, BR
12	PD020032	5	SRW-8(A)X3/8PH.WFR HD 7/16DIAXNICL
13	009331-000	1	TRIM, ASM
14	PE010142	1	3 LOGO XBKXXCHROME
15	005269-000	4	RANGE TOP BURNER KNOB-BRUSHED, SSS
	PB010285	4	SURFACE BURNER KNOB - WH
16	PD020046	4	NO.8 X 1/2 SCREWS
17	003801-000	2	SHOULDER SCREW, NO.10
18	PA020058	4	IRIS SINGLE SPARK MODULE



Ref #	Part Number	Qty.	Description
1	002907-000	2	CENTER GRATE, REDESIGN
2	007323-000	4	BURNER GRATE
3	PA080083	4	D BURNER CAP XMATTE BLACKX
4	006706-000	4	B6 REV SEALED BURNER
5	009197-000	8	NO.6-32 X 5/8 18-8 SS NC SOC CAP
6	003322-041	4	SEALED BURNER BASE, PAINTED FINISH
7	PD020076	8	6-32 X 3/8 PHILL PAN MS
8	001394-041	1	18500 BTU NAT JETHOLDER
	001394-044	1	16.6 K BTU LP JETHOLDER
9	E9107413BK	1	MAIN TOP 30 XBKX
	E9107413WH	1	MAIN TOP 30 XWHX
10	002923-000	2	BURNER MODULE SUPPORT
11	003860-000	2	NO.10-18 X .500 FASTNR,SCR,HXWH,STL,ZPLT
12	001394-042	3	15000 BTU NAT JETHOLDER
	001394-046	3	12.5 K BTU LP JETHOLDER