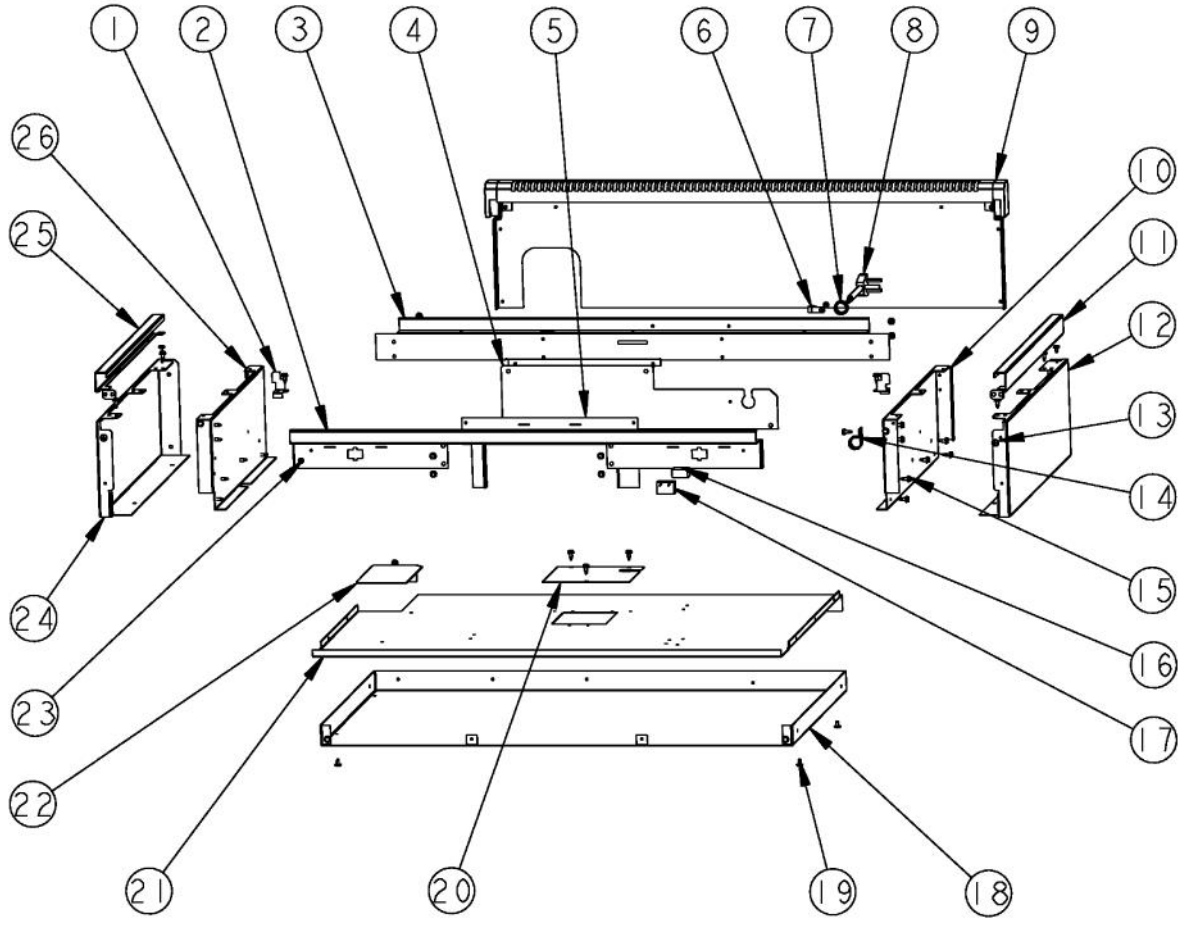
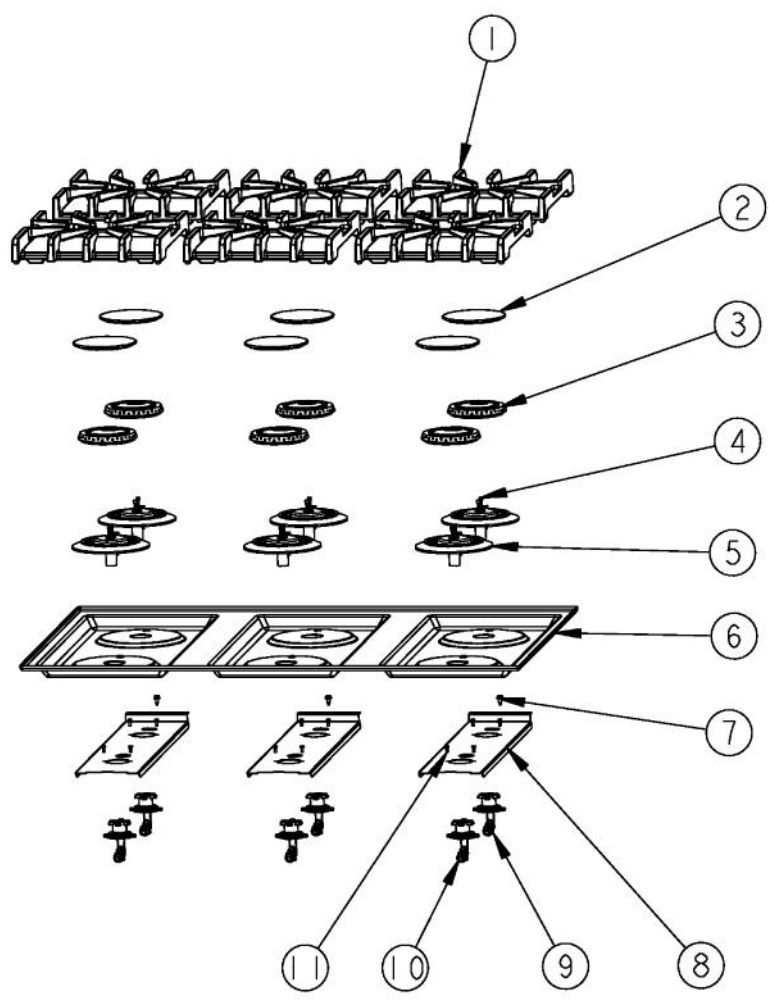


Ref #	Part Number	Qty.	Description
1	PA070001	1	PRESSURE REGULATOR (NAT.)
	000714-000	1	LP REGULATOR
2	PB020192	3	10 FLEX TUBING W/CONNECTORS
3	PD030006	2	CAPPED WASHER PAL NUT
4	002884-000	2	MANIFOLD PLUG
5	PB020193	3	16 FLEX TUBING W/CONNECTORS
6	003860-000	4	NO.10-18 X .500 FASTNR,SCR,HXWH,STL,ZPLT
7	005480-000	1	MANIFOLD, GAS, VDSC36 - 6B
8	031112-2203	1	CONTROL PANEL ASM, VGRT536-6B W/GRAPHICS
9	011637-000	1	TRIM, ASM
10	PD020032	3	SRW-8(A)X3/8PH.WFR HD 7/16DIAXNICL
11	PB010304	6	KNOB BEZEL
12	PD020046	6	NO.8 X 1/2 SCREWS
13	005269-000	6	RANGE TOP BURNER KNOB-BRUSHED, SSS
14	PE010142	1	3 LOGO XBKXXCHROME
15	PD010012	8	VALVE BOLT 1/4-20 UNC-2B 5/16 M.S.
16	PA020058	6	IRIS SINGLE SPARK MODULE
17	006015-000	6	VALVE, BRS, SEALED TOP - ISPHORDING



Ref #	Part Number	Qty.	Description
1	004021-000	2	SUPPORT,TRIM,SIDE
2	004603-000	1	FRONT SUPPORT, BURNER BOX 36
3	004602-000	1	REAR SUPPORT, BURNER BOX 36
4	014168-000	1	RANGETOP, PANEL, BACK, VGRT
5	008637-000	1	ADAPTER BRACKET, FRONT SUPT
6	PD030148	1	CLAMP CABLE ALUMINUM .500 DIA. (AL-8 CLAMP)
7	PD040005	1	SNAP BUSHING - 7/8
8	PE070128	1	SUPPLY CORD (VGRT/SC/SS/RC)
9	006900-000	1	ISLAND TRIM, ASM, 36 CUSTOM
10	002755-000	1	BURNER BOX SIDE, RH
11	002920-000	1	SIDE TRIM, RH - STAINLESS
12	008100-000	1	PANEL, RH RANGETOP
13	003801-000	2	SHOULDER SCREW, NO.10
14	PD030109	1	INSULATED CLAMP
15	003860-000	35	NO.10-18 X .500 FASTNR,SCR,HXWH,STL,ZPLT
16	PE070071	1	DISCONNECT BLOCK XALX 770027-1
17	000573-000	1	POWER JUMPER WIRE
18	014164-000	1	RANGETOP, PANEL BTM, VGRT536
19	PD020032	13	SRW-8(A)X3/8PH.WFR HD 7/16DIAXNICL
20	008904-000	1	BURNER BOX, DSI COVER
21	008449-000	1	BURNER BOX BOTTOM, 36
22	004016-000	1	PLATE,SVCE,RGLT
23	PD020010	2	10 X 3/8 GREEN GROUNDING SCREW
24	008101-000	1	PANEL, LH, RANGETOP
25	003649-000	1	SIDE TRIM, LH - STAINLESS
26	003481-000	1	BURNER BOX SIDE, LH



Ref #	Part Number	Qty.	Description
1	007323-000	6	BURNER GRATE
2	PA080083	6	D BURNER CAP XMATTE BLACKX
3	006706-000	6	B6 REV SEALED BURNER
4	009197-000	12	NO.6-32 X 5/8 18-8 SS NC SOC CAP
5	003322-041	6	SEALED BURNER BASE, PAINTED FINISH
6	E9108439BK	1	MAIN TOP (VGRT3626B) XBKX
7	003860-000	3	NO.10-18 X .500 FASTNR,SCR,HXWH,STL,ZPLT
8	002923-000	3	BURNER MODULE SUPPORT
9	001394-042	5	15000 BTU NAT JETHOLDER
10	001394-041	1	18500 BTU NAT JETHOLDER
11	PD020076	12	6-32 X 3/8 PHILL PAN MS

*No Image  
Available*

Ref #	Part Number	Qty.	Description
NI	PE070128	1	SUPPLY CORD (VGRT/SC/SS/RC)
NI	027347-000	1	SUPPLY CORD JUMPER
NI	000573-000	1	POWER JUMPER WIRE
NI	PE070036	4	TIE WRAP
NI	PE070071	1	DISCONNECT BLOCK XALX 770027-1
NI	000647-000	3	IRIS IGNITOR WIRE, FRONT BURNER
NI	006766-000	3	IRIS IGNITOR WIRE, BACK BURNER