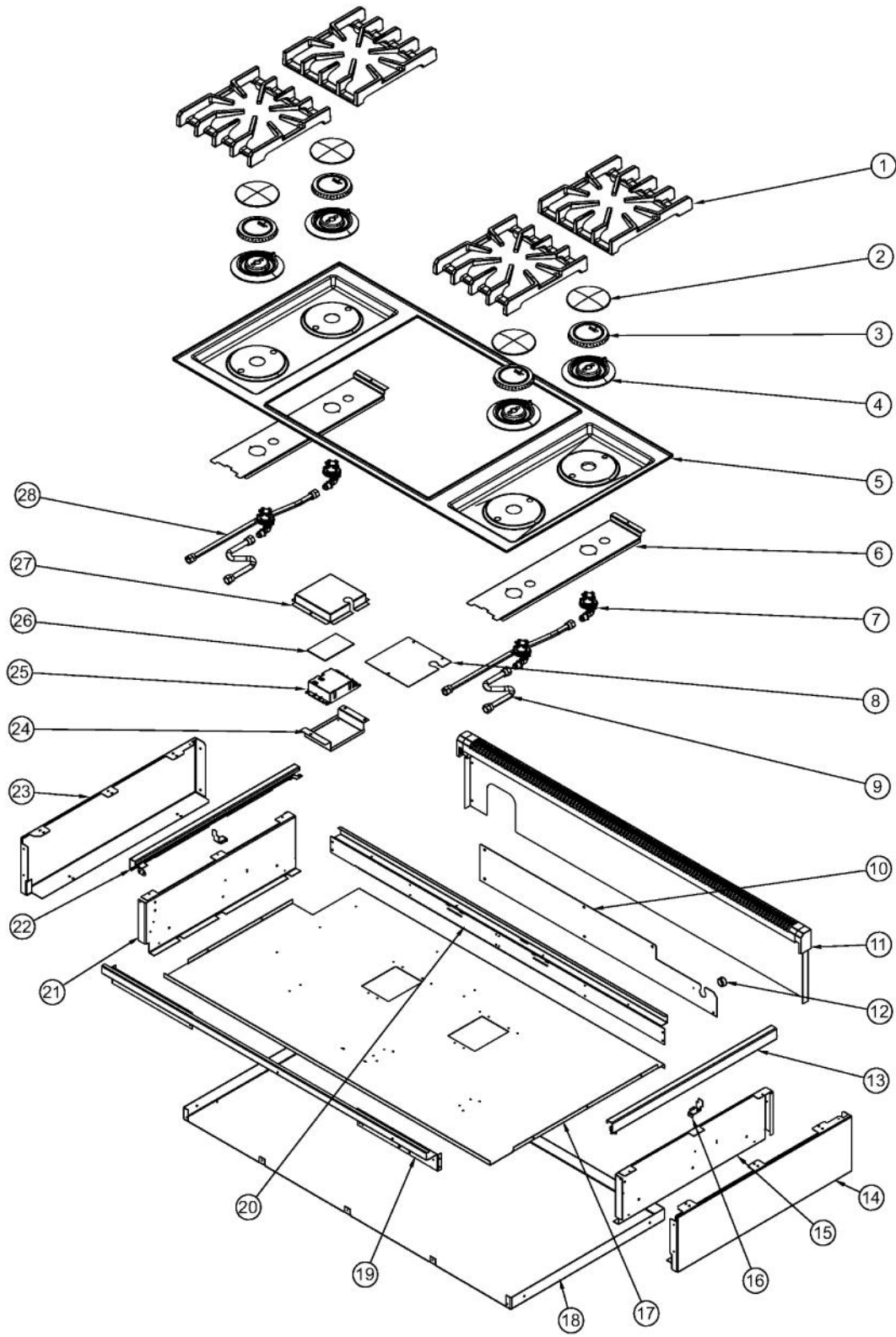
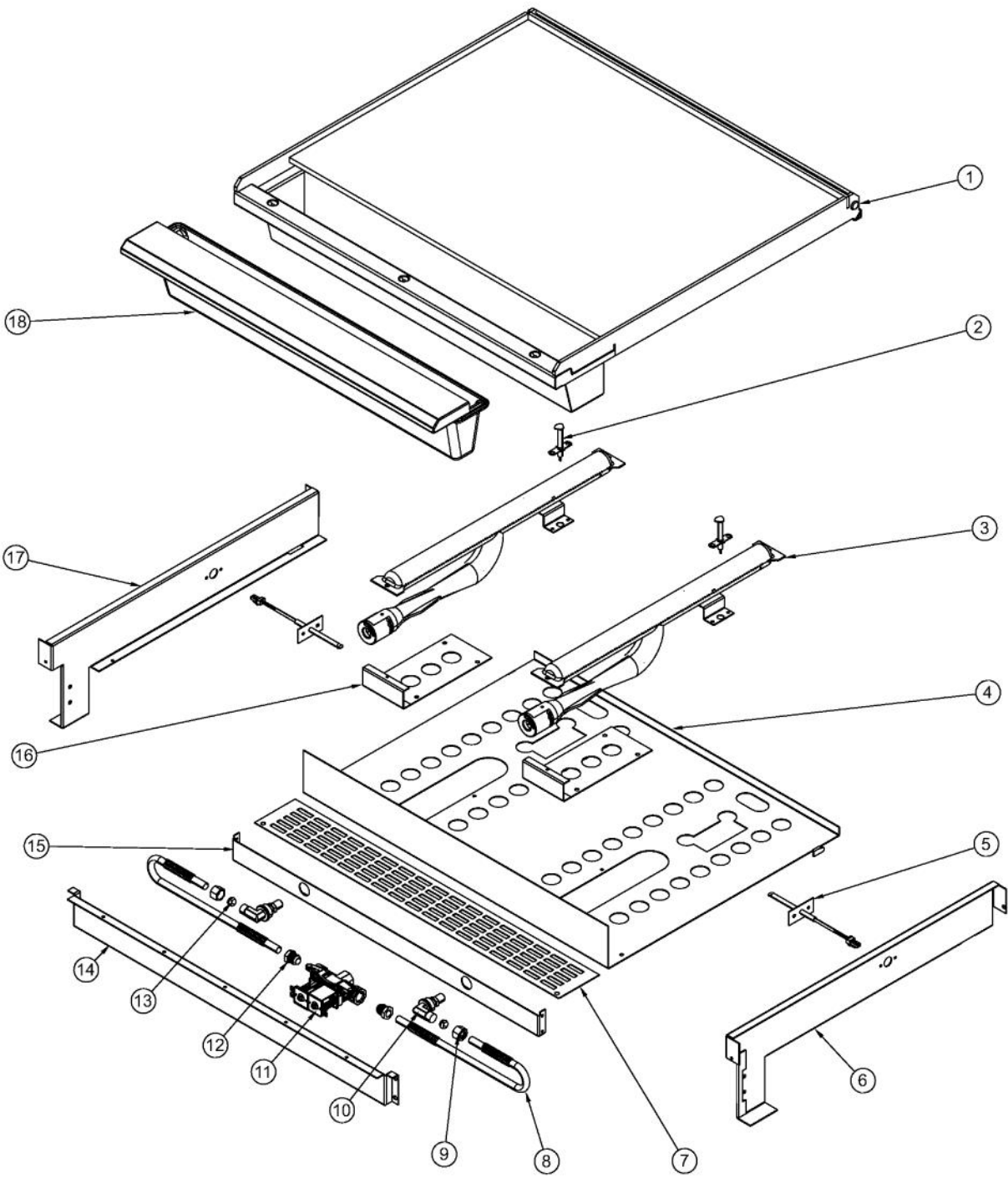


| Ref # | Part Number | Qty. | Description |
|-------|-------------|------|---|
| 1 | 005269-000 | 4 | RANGE TOP BURNER KNOB-BRUSHED, SSS |
| 2 | 011717-000 | 1 | TRIM ASM |
| 3 | 025950-2307 | 1 | PANEL, CNTRL, ASM VGRT548-4G W/GRAPHICS |
| 4 | PA020058 | 4 | IRIS SINGLE SPARK MODULE |
| 5 | 004507-000 | 4 | SUB TO 006313-000 - VALVE,BRS,ASM, TOP,BURNER, FLRE,... |
| 6 | PB030007 | 1 | SHUT OFF VALVE |
| 7 | 026037-000 | 1 | TUBING, GRIDDLE VALVE |
| 8 | 026070-000 | 1 | MANIFOLD, DF 484G |
| 9 | PA070003 | 1 | PRESSURE REGULATOR (NAT.) |
| 9 | 013386-000 | 1 | LP PRESSURE REGULATOR |
| 10 | PD010012 | 5 | VALVE BOLT 1/4-20 UNC-2B 5/16 M.S. |
| 11 | 026469-000 | 2 | THERMOSTAT, 2-POS, 91 SHAFT |
| 12 | PE050024 | 2 | OVEN IND. LIGHT (LIGHT HOUSING) |
| 13 | PB010304 | 6 | KNOB BEZEL |
| 14 | PD030006 | 2 | CAPPED WASHER PAL NUT |
| 15 | PE010142 | 1 | 3 LOGO XBKXXCHROME |
| 15 | PE010143 | 1 | 3 LOGO BK/BR |
| 16 | PE050023 | 2 | OVEN IND. LIGHT (LENS & BEZEL) |
| 17 | PD010028 | 4 | BOLT M 4X5 |
| 18 | 006570-000 | 2 | KNOB, GRDL/(LH OVEN), ASM, PVD, NO.3, SSS |
| NI | PD020046 | 4 | NO.8 X 1/2 SCREWS |



| Ref # | Part Number | Qty. | Description |
|-------|-------------|------|--|
| 1 | 007323-000 | 4 | BURNER GRATE |
| 2 | PA080083 | 4 | D BURNER CAP XMATTE BLACKX |
| 3 | 006706-000 | 4 | B6 REV SEALED BURNER |
| 4 | 003322-041 | 4 | SEALED BURNER BASE, PAINTED FINISH |
| 5 | E2109804 | 1 | 48 SEALED TOP |
| 6 | 002923-000 | 2 | BURNER MODULE SUPPORT |
| 7 | 001394-042 | 4 | 15000 BTU NAT JETHOLDER |
| 7 | 001394-046 | 4 | 12.5 K BTU LP JETHOLDER |
| 8 | 008904-000 | 1 | BURNER BOX, DSI COVER |
| 9 | PB020192 | 2 | 10 FLEX TUBING W/CONNECTORS |
| 10 | 014327-000 | 1 | RANGETOP, PANEL, BACK, VGRT548 |
| 11 | 008831-000 | 1 | ISLAND TRIM, ASM, 48 CUSTOM |
| 12 | PD040005 | 1 | SNAP BUSHING - 7/8 |
| 13 | 002920-000 | 1 | SIDE TRIM, RH - STAINLESS |
| 14 | 008100-000 | 1 | PANEL, RH RANGETOP |
| 15 | 002755-000 | 1 | BURNER BOX SIDE, RH |
| 16 | 004021-000 | 2 | SUPPORT,TRIM,SIDE |
| 17 | 006240-000 | 1 | BURNER BOX BOTTOM,FLAT,VDSC548 |
| 18 | 014324-000 | 1 | RANGETOP, PANEL, BTM, VGRT548 |
| 19 | 025758-000 | 1 | SUPPORT, FRONT |
| 20 | 008464-000 | 1 | BRNR BOX,REAR,FLAT,SUPPORT,VDSC5484GQ 48 |
| 21 | 003481-000 | 1 | BURNER BOX SIDE, LH |
| 22 | 003649-000 | 1 | SIDE TRIM, LH - STAINLESS |
| 23 | 008101-000 | 1 | PANEL, LH, RANGETOP |
| 24 | 024301-000 | 1 | BOARD, DSI, CRADLE |
| 25 | 023651-000 | 1 | DSI120 LONG PURGE |
| 26 | PB070191 | 1 | INSULATION PAD |
| 27 | 024305-000 | 1 | COVER, DSI, 6G |
| 28 | PB020193 | 2 | 16 FLEX TUBING W/CONNECTORS |



| Ref # | Part Number | Qty. | Description |
|-------|-------------|------|--|
| 1 | 040248-000 | 1 | 24 GRIDDLE, ASM |
| 2 | PA020028 | 2 | SPARK IGNITER |
| 3 | 013888-000 | 2 | GRIDDLE, BURNER, ASM, NAT, W/IGNITOR BRACKET |
| 3 | 013889-000 | 2 | GRIDDLE, BURNER, ASM, LP, W/IGNITOR BRACKET |
| 4 | 026114-000 | 1 | GRIDDLE, BOX, BTM, 24 |
| 5 | 007008-000 | 2 | RTD PROBE |
| 6 | 016295-000 | 1 | SIDE, GRILL BOX, RH |
| 7 | 027489-000 | 1 | SHIELD, WIRE |
| 8 | PB020126 | 2 | 3/8`` S.S. FLEX TUBING 15`` (DGPU) |
| 9 | PB040051 | 2 | 3/8CC FEMALE COMP. FITTING |
| 10 | PB040190 | 2 | 90 DEGREE ORIFICE FITTING NO.50 NAT |
| 10 | 002513-000 | 2 | 90 DEGREE ORIFICE FITTING NO.57 LP |
| 11 | 009112-000 | 1 | VALVE, SOL, DOUBLE |
| 12 | PB040050 | 2 | 3/8CC MALE COMP. FITTING W/FERRULE |
| 13 | PB040049 | 2 | 3/8 XBRX FERRULE (FOR 3/8CC FEMALE |
| 14 | 026036-000 | 1 | BRACE, SUPPORT, FRONT |
| 15 | 026113-000 | 1 | GRIDDLE ORIFICE BRKT |
| 16 | 006785-000 | 2 | GRIDDLE, BOX, VENTURI, COVER |
| 17 | 016293-000 | 1 | GRIDDLE SUPPORT, LEFT |
| 18 | 025750-000 | 1 | TROUGH, GRIDDLE, ASM, 24 |
| NI | PD020010 | 1 | 10 X 3/8 GREEN GROUNDING SCREW |

*No Image
Available*

| Ref # | Part Number | Qty. | Description |
|-------|-------------|------|----------------------------------|
| NI | 027705-000 | 1 | WIRING DIAGRAM |
| NI | 027705-050 | 1 | WIRING DIAGRAM (FR) |
| NI | PE070128 | 1 | SUPPLY CORD (VGRT/SC/SS/RC) |
| NI | 027237-000 | 1 | SUPPLY CORD JUMPER |
| NI | 000573-000 | 1 | POWER JUMPER WIRE |
| NI | 024374-000 | 1 | HARNESS, WRG, GRIDDLE |
| NI | PE0780071 | 1 | DISCONNECT BLOCK |
| NI | 000647-000 | 4 | IRIS IGNITOR WIRE, FRONT BURNER |
| NI | 006766-000 | 4 | IRIS IGNITOR WIRE, BACK BURNER |
| NI | 013408-000 | 2 | GRIDDLE HEADER |
| NI | PE070890 | 1 | IRIS HARNESS - 36 |
| NI | 012828-000 | 1 | HARNESS, GROUND, DSI, VDSC536-4G |
| NI | 031434-000 | 1 | WIRE ASSEMBLY, BLACK |
| NI | 031435-000 | 1 | WIRE ASSEMBLY, WHITE |