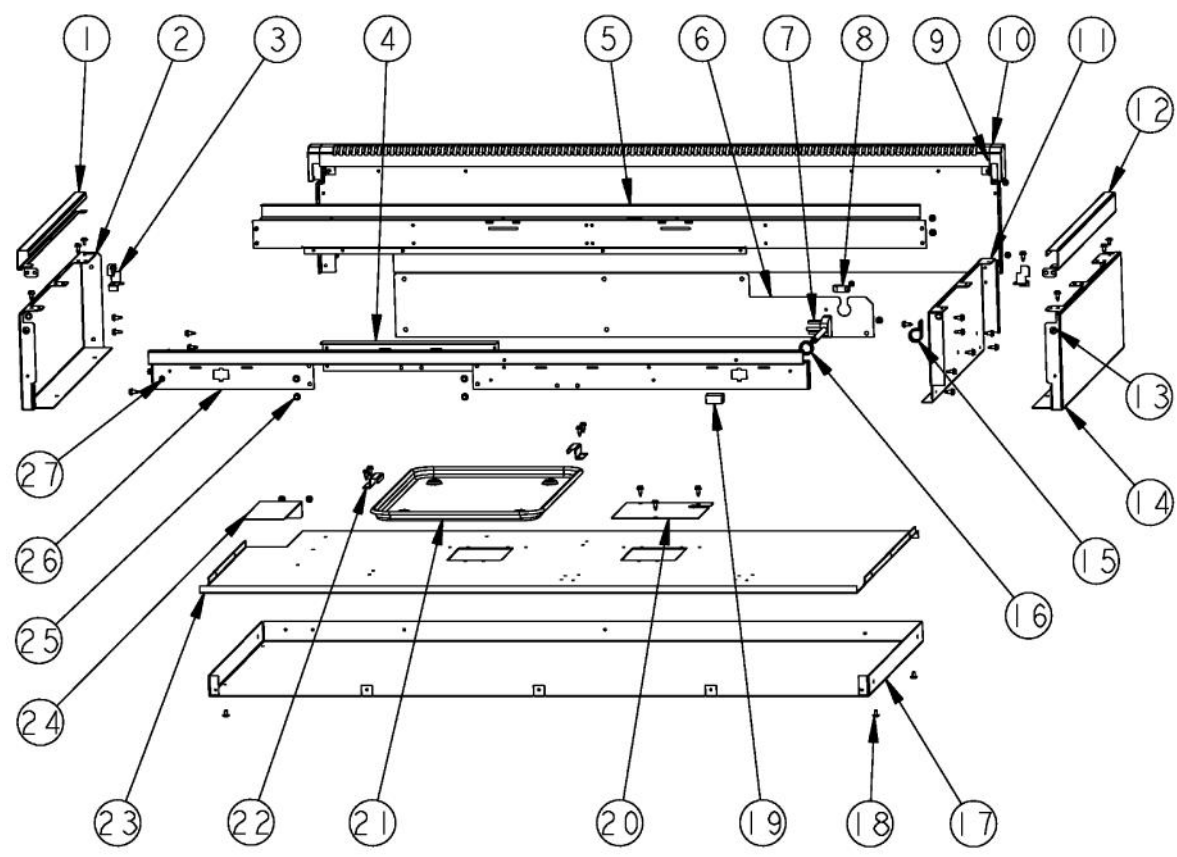
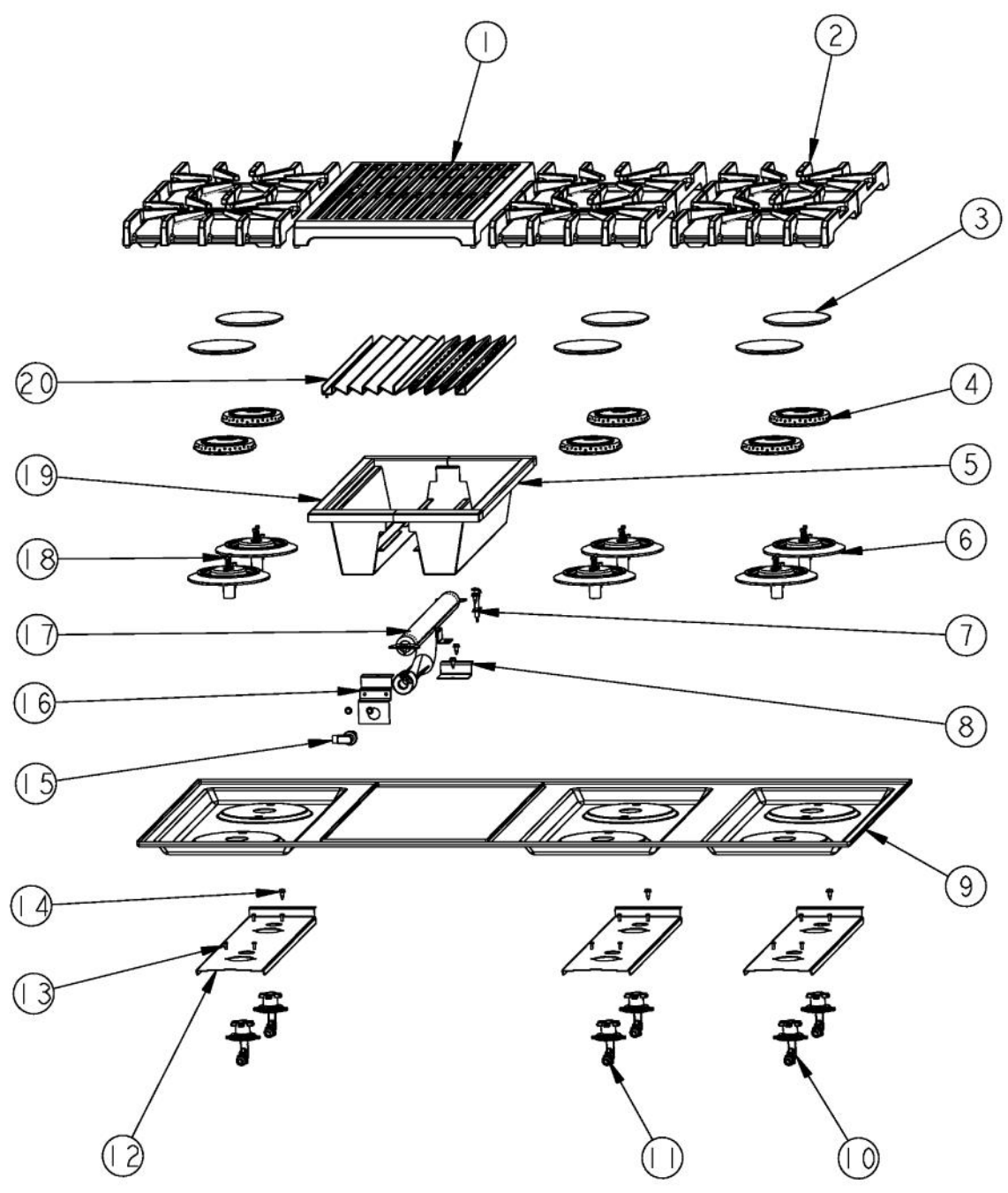


Ref #	Part Number	Qty.	Description
1	PA070001	1	PRESSURE REGULATOR (NAT.)
	000714-000	1	LP REGULATOR
2	002884-000	2	MANIFOLD PLUG
3	PA020058	7	IRIS SINGLE SPARK MODULE
4	006015-000	7	VALVE, BRS, SEALED TOP - ISPHORDING
5	PB020193	3	16 FLEX TUBING W/CONNECTORS
6	PB020192	4	10 FLEX TUBING W/CONNECTORS
7	006712-000	1	MANIFOLD, GAS, VDSC48- 8B/6Q
8	PD030006	2	CAPPED WASHER PAL NUT
9	014386-000	1	CONTROL PANEL MODULE, VGRT548-6Q
10	014385-000	1	CONTROL, PANEL, ASM, VGRT548-6Q
11	PB010304	6	KNOB BEZEL
	PB010304PVD	6	RESTYLE KNOB BEZEL, BR
12	PD020032	13	SRW-8(A)X3/8PH.WFR HD 7/16DIAXNICL
13	011717-000	1	TRIM ASM
14	PE010142	1	3 LOGO XBKXXCHROME
15	006574-000	1	KNOB, GRL, ASM, PVD, NO.3, SSS
	007479-000	1	KNOB, GRL, ASM, WHT
16	005269-000	6	RANGE TOP BURNER KNOB-BRUSHED, SSS
	PB010285	6	SURFACE BURNER KNOB - WH
17	PD020046	7	NO.8 X 1/2 SCREWS
18	PD010012	9	VALVE BOLT 1/4-20 UNC-2B 5/16 M.S.
NI	015357-000	1	IGNITOR, W/WIRE
NI	006766-000	3	IRIS IGNITOR WIRE, BACK BURNER
NI	000647-000	3	IRIS IGNITOR WIRE, FRONT BURNER



Ref #	Part Number	Qty.	Description
1	003649-000	1	SIDE TRIM, LH - STAINLESS
2	008101-000	1	PANEL, LH, RANGETOP
3	004021-000	2	SUPPORT, TRIM, SIDE
4	012771-000	1	RANGETOP, BRKT, FR, VDSC CUSTOM
5	008464-000	1	BRNR BOX, REAR, FLAT, SUPPORT, VDSC5484GQ 48
6	014327-000	1	RANGETOP, PANEL, BACK, VGRT548
7	PE070128	1	SUPPLY CORD (VGRT/SC/SS/RC)
8	PD030148	1	CLAMP CABLE ALUMINUM .500 DIA. (AL-8 CLAMP)
9	PD020055	4	NO.10 X 1/2 PAN PHIL. TEK. SS
10	008831-000	1	ISLAND TRIM, ASM, 48 CUSTOM
11	002755-000	1	BURNER BOX SIDE, RH
12	002920-000	1	SIDE TRIM, RH - STAINLESS
13	003801-000	2	SHOULDER SCREW, NO.10
14	008100-000	1	PANEL, RH RANGETOP
15	PD030109	1	INSULATED CLAMP
16	PD040005	1	SNAP BUSHING - 7/8
17	014324-000	1	RANGETOP, PANEL, BTM, VGRT548
18	PD020032	8	SRW-8(A)X3/8PH.WFR HD 7/16DIA XNCL
19	PE070071	1	DISCONNECT BLOCK XALX 770027-1
20	008904-000	1	BURNER BOX, DSI COVER
21	PB080061	1	GREASE PAN
22	008286-000	2	BRACKET, DRIP, PAN, CUSTOM, Q-MODELS
23	006240-000	1	BURNER BOX BOTTOM, FLAT, VDSC548
24	007793-000	1	PLATE, SVCE, FLAT, REGULATOR, VDSC548
25	003860-000	44	NO.10-18 X .500 FASTNR, SCR, HXWH, STL, ZPLT
26	008461-000	1	SUPPORT, FRONT
27	PD020010	2	10 X 3/8 GREEN GROUNDING SCREW



Ref #	Part Number	Qty.	Description
1	010168-000	1	CUSTOM RANGE GRILL GRATE
2	007323-000	6	BURNER GRATE
3	PA080083	6	D BURNER CAP XMATTE BLACKX
4	006706-000	6	B6 REV SEALED BURNER
5	013593-000	1	PAN, DRIP, ASM, RIGHT
6	003322-041	6	SEALED BURNER BASE, PAINTED FINISH
7	PA020028	1	SPARK IGNITER
8	008636-000	1	BRACKET, BURNER, GRILL, REAR
9	E9109801	1	48 SEALED COOKTOP 6BG & 6BQ
10	001394-041	2	18500 BTU NAT JETHOLDER
	001394-044	2	16.6 K BTU LP JETHOLDER
11	001394-042	4	15000 BTU NAT JETHOLDER
	001394-046	4	12.5 K BTU LP JETHOLDER
12	002923-000	3	BURNER MODULE SUPPORT
13	PD020076	4	6-32 X 3/8 PHILL PAN MS
14	003860-000	10	NO.10-18 X .500 FASTNR,SCR,HXWH,STL,ZPLT
15	PB040238	1	90 DEGREE ORIFICE FITTING, NAT NO.47
	001983-000	1	90 DEGREE ORIFICE FITTING, LP NO.56
16	007776-000	1	MOUNT, GRILL, BURNER, FRONT
17	007878-000	1	BURNER, GRIL, ASM
18	009197-000	12	NO.6-32 X 5/8 18-8 SS NC SOC CAP
19	013595-000	1	PAN, DRIP, ASM, LEFT
20	E9101130BK	2	GRILL SMOKE GENERATOR