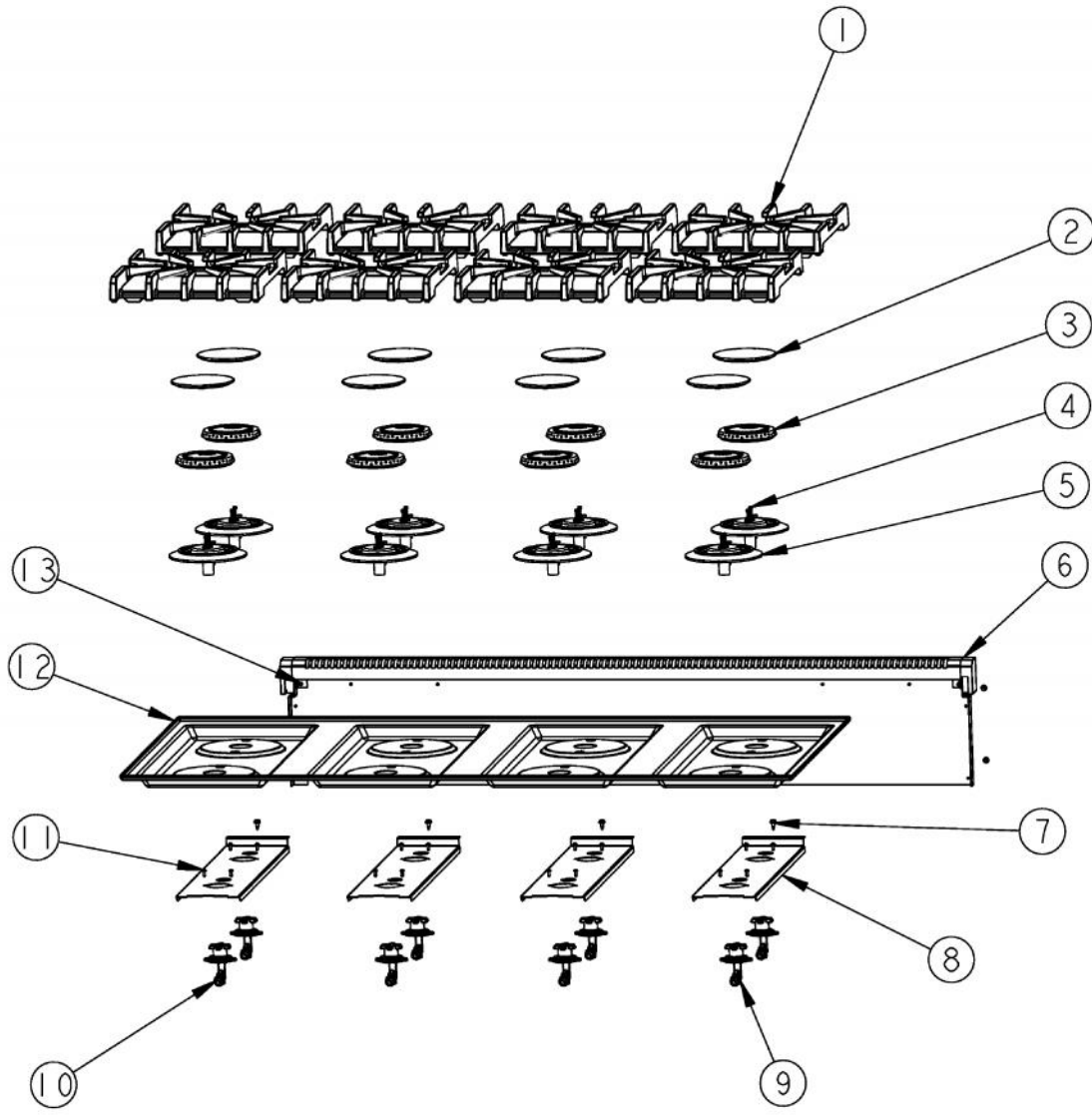
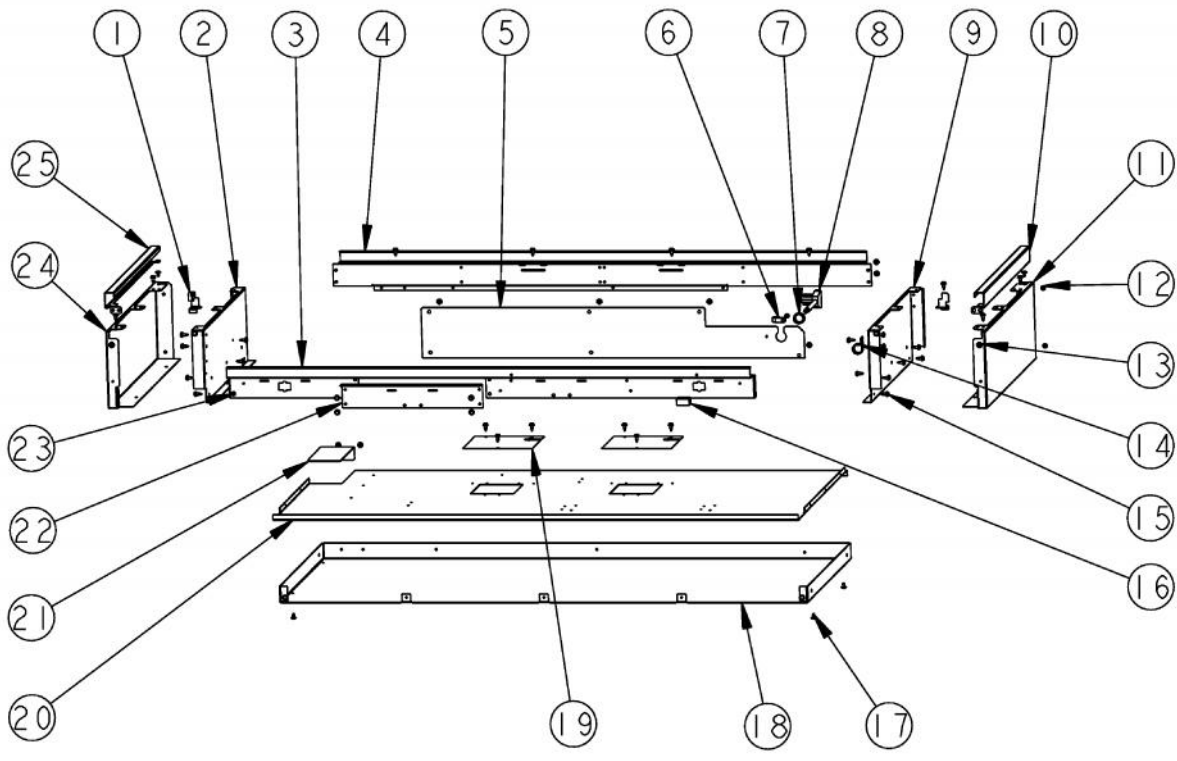


Ref #	Part Number	Qty.	Description
1	003860-000	3	NO. 10-18 X .500 FASTNR,SCR,HXWH,STL,ZPLT
2	006015-000	8	VALVE, BRS, SEALED TOP - ISPHORDING
3	PA070001	1	PRESSURE REGULATOR (NAT.)
4	PB020193	4	16 FLEX TUBING W/CONNECTORS
5	002884-000	1	MANIFOLD PLUG
6	PB020192	4	10 FLEX TUBING W/CONNECTORS
7	PA020058	8	IRIS SINGLE SPARK MODULE
8	006712-000	1	MANIFOLD, GAS, VDSC48- 8B/6Q
9	PD030006	2	CAPPED WASHER PAL NUT
10	014388-000	1	CONTROL, PANEL, ASM, VGRT548-8B
11	PD020032	6	SRW-8(A)X3/8PH.WFR HD 7/16DIAXNICL
12	PB010304	8	KNOB BEZEL
13	PD020046	8	NO. 8 X 1/2 SCREWS
14	005269-000	8	RANGE TOP BURNER KNOB-BRUSHED, SSS
15	PE010142	1	3 LOGO XBKXXCHROME
16	011717-000	1	TRIM ASM
17	PD010012	9	VALVE BOLT 1/4-20 UNC-2B 5/16 M.S.



Ref #	Part Number	Qty.	Description
1	007323-000	8	BURNER GRATE
2	PA080083	8	D BURNER CAP XMATTE BLACKX
3	006706-000	8	B6 REV SEALED BURNER
4	009197-000	16	NO.6-32 X 5/8 18-8 SS NC SOC CAP
5	003322-041	8	SEALED BURNER BASE, PAINTED FINISH
6	008831-000	1	ISLAND TRIM, ASM, 48 CUSTOM
7	003860-000	17	NO.10-18 X .500 FASTNR,SCR,HXWH,STL,ZPLT
8	002923-000	4	BURNER MODULE SUPPORT
9	001394-041	1	18500 BTU NAT JETHOLDER
10	001394-042	7	15000 BTU NAT JETHOLDER
11	PD020076	16	6-32 X 3/8 PHILL PAN MS
12	E9109800BK	1	48 SEALED COOKTOP 8B XBKX
13	PD020055	4	NO.10 X 1/2 PAN PHIL. TEK. SS



Ref #	Part Number	Qty.	Description
1	004021-000	2	SUPPORT,TRIM,SIDE
2	003481-000	1	BURNER BOX SIDE, LH
3	008461-000	1	SUPPORT, FRONT
4	008464-000	1	BRNR BOX,REAR,FLAT,SUPPORT,VDSC5484GQ 48
5	014327-000	1	RANGETOP, PANEL, BACK, VGRT548
6	PD030148	1	CLAMP CABLE ALUMINUM .500 DIA. (AL-8 CLAMP)
7	PD040005	1	SNAP BUSHING - 7/8
8	PE070128	1	SUPPLY CORD (VGRT/SC/SS/RC)
9	002755-000	1	BURNER BOX SIDE, RH
10	002920-000	1	SIDE TRIM, RH - STAINLESS
11	008100-000	1	PANEL, RH RANGETOP
12	PD020055	2	NO.10 X 1/2 PAN PHIL. TEK. SS
13	003801-000	2	SHOULDER SCREW, NO.10
14	PD030109	1	INSULATED CLAMP
15	003860-000	50	NO.10-18 X .500 FASTNR,SCR,HXWH,STL,ZPLT
16	PE070071	1	DISCONNECT BLOCK XALX 770027-1
17	PD020032	10	SRW-8(A)X3/8PH.WFR HD 7/16DIAXNICL
18	014324-000	1	RANGETOP, PANEL, BTM, VGRT548
19	008904-000	2	BURNER BOX, DSI COVER
20	006240-000	1	BURNER BOX BOTTOM,FLAT,VDSC548
21	007793-000	1	PLATE, SVCE,FLAT,REGULATOR,VDSC548
22	012771-000	1	RANGETOP, BRKT, FR, VDSC CUSTOM
23	PD020010	2	10 X 3/8 GREEN GROUNDING SCREW
24	008101-000	1	PANEL, LH, RANGETOP
25	003649-000	1	SIDE TRIM, LH - STAINLESS