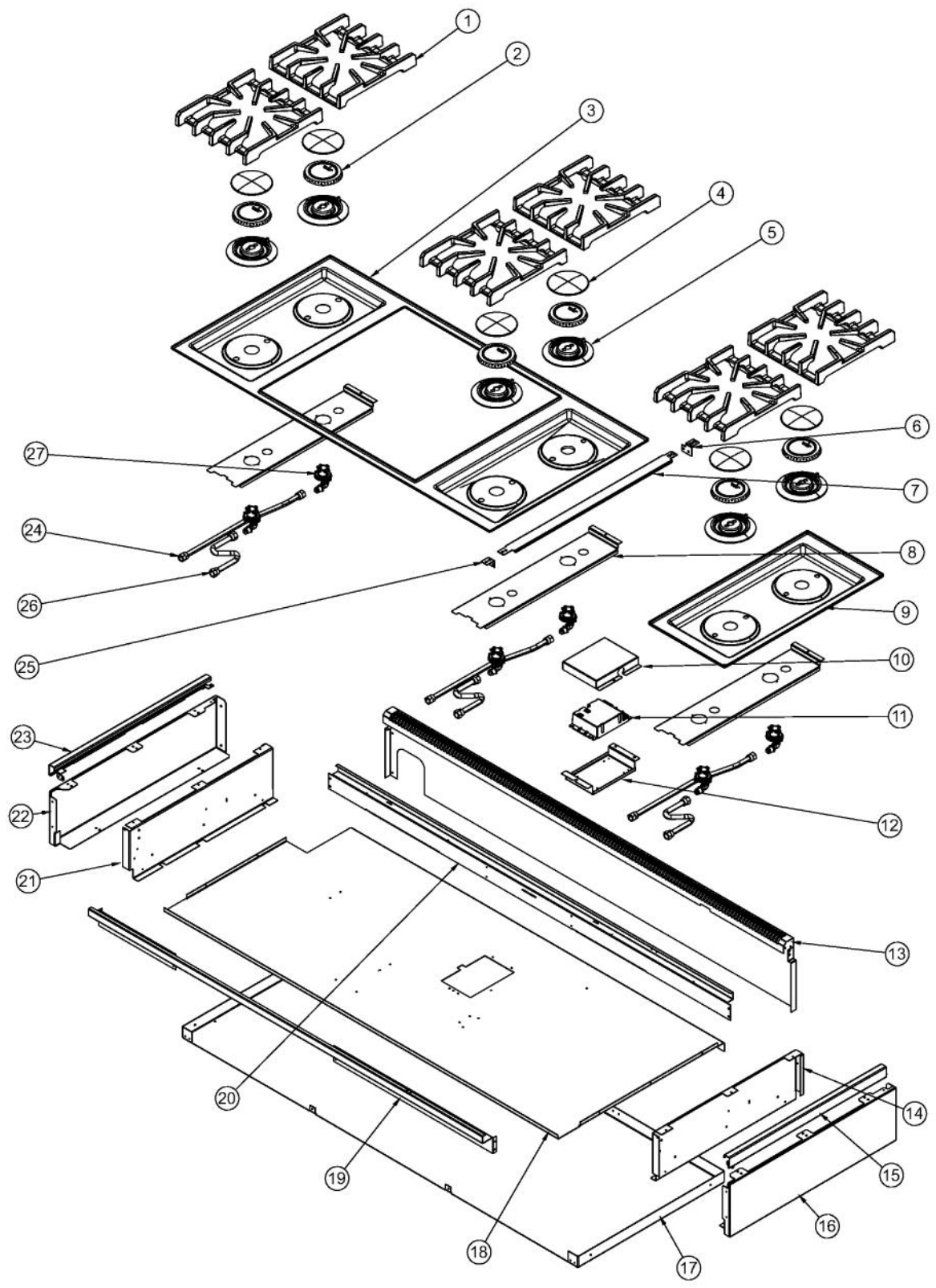
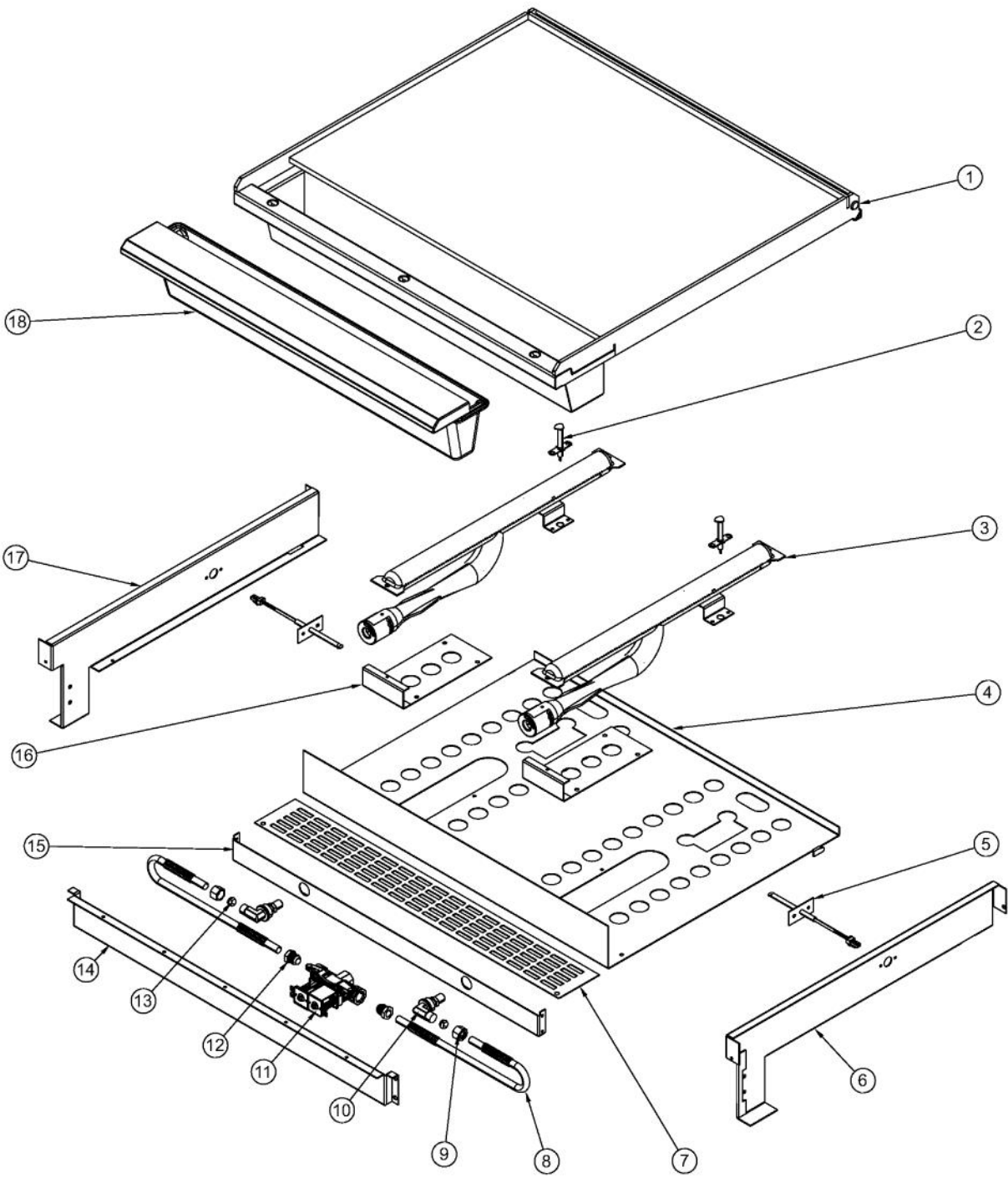


Ref #	Part Number	Qty.	Description
1	PB010304	8	KNOB BEZEL
1	PB010304PVD	8	RESTYLE KNOB BEZEL, BR
2	014321-000	1	TRIM, ASM, CUSTOM 60
3	PA020058	6	IRIS SINGLE SPARK MODULE
4	026469-000	2	THERMOSTAT, 2-POS, 91 SHAFT
5	006015-000	6	VALVE, BRS, SEALED TOP - ISPHORDING
6	PB030007	1	SHUT OFF VALVE
7	026109-000	1	MANIFOLD, VDSC/VGRT560-6G (NAT)
8	PA070003	1	PRESSURE REGULATOR (NAT.)
8	013386-000	1	LP PRESSURE REGULATOR
9	026037-000	1	TUBING, GRIDDLE VALVE
10	PE050024	2	OVEN IND. LIGHT (LIGHT HOUSING)
11	PD010012	8	VALVE BOLT 1/4-20 UNC-2B 5/16 M.S.
12	025952-2310	1	CONTROL PNL ASM, VGRT560-6G W/GRAPHICS
13	005269-000	6	RANGE TOP BURNER KNOB-BRUSHED, SSS
14	PD030006	1	CAPPED WASHER PAL NUT
15	PE010142	1	3 LOGO XBKXXCHROME
15	PE010143	1	3 LOGO BK/BR
16	PD010028	1	BOLT M 4X5
17	006570-000	2	KNOB, GRDL/(LH OVEN), ASM, PVD, NO.3, SSS
18	PE050023	1	OVEN IND. LIGHT (LENS & BEZEL)



Ref #	Part Number	Qty.	Description
1	007323-000	6	BURNER GRATE
2	006706-000	6	B6 REV SEALED BURNER
3	E2109804	1	48 SEALED TOP
4	PA080083	6	D BURNER CAP XMATTE BLACKX
5	003322-041	6	SEALED BURNER BASE, PAINTED FINISH
6	027936-000	1	BRACKET, BRIDGE, REAR
7	025763-000	1	BRIDGE, CKTP
8	002923-000	3	BURNER MODULE SUPPORT
9	E91015333	1	SEALED BURNER TOP - 12
10	024305-000	1	COVER, DSI, 6G
11	023651-000	1	DSI120 LONG PURGE
12	024301-000	1	BOARD, DSI, CRADLE
13	014589-000	1	ISLAND TRIM, ASM CUSTOM RANGE 60
14	002755-000	1	BURNER BOX SIDE, RH
15	002920-000	1	SIDE TRIM, RH - STAINLESS
16	008100-000	1	PANEL, RH RANGETOP
17	015048-000	1	RANGETOP, PANEL, BOTTOM, 60`` VGRT
18	015099-000	1	FLAT, BURNER BOX BOTTOM VGRT 560
19	026112-000	1	SUPPORT, FRONT, 560-6G
20	006762-000	1	SUPPORT, BURNER BOX, REAR
21	003481-000	1	BURNER BOX SIDE, LH
22	008101-000	1	PANEL, LH, RANGETOP
23	003649-000	1	SIDE TRIM, LH - STAINLESS
24	PB020193	3	16 FLEX TUBING W/CONNECTORS
25	017111-000	1	BRACKET, BRDG, FR
26	PB020192	3	10 FLEX TUBING W/CONNECTORS
27	001394-041	6	18500 BTU NAT JETHOLDER
27	001394-044	1	16.6 K BTU LP JETHOLDER
27	001394-046	5	12.5 K BTU LP JETHOLDER
NI	PD040005	1	SNAP BUSHING - 7/8



Ref #	Part Number	Qty.	Description
1	040248-000	1	24 GRIDDLE, ASM
2	PA020028	2	SPARK IGNITER
3	013888-000	2	GRIDDLE, BURNER, ASM, NAT, W/IGNITOR BRACKET
3	013889-000	2	GRIDDLE, BURNER, ASM, LP, W/IGNITOR BRACKET
4	026114-000	1	GRIDDLE, BOX, BTM, 24
5	007008-000	2	RTD PROBE
6	016295-000	1	SIDE, GRILL BOX, RH
7	027489-000	1	SHIELD, WIRE
8	PB020126	2	3/8`` S.S. FLEX TUBING 15`` (DGPU)
9	PB040051	2	3/8CC FEMALE COMP. FITTING
10	PB040190	2	90 DEGREE ORIFICE FITTING NO.50 NAT
10	002513-000	2	90 DEGREE ORIFICE FITTING NO.57 LP
11	009112-000	1	VALVE, SOL, DOUBLE
12	PB040050	2	3/8CC MALE COMP. FITTING W/FERRULE
13	PB040049	2	3/8 XBRX FERRULE (FOR 3/8CC FEMALE
14	026036-000	1	BRACE, SUPPORT, FRONT
15	026113-000	1	GRIDDLE ORIFICE BRKT
16	006785-000	2	GRIDDLE, BOX, VENTURI, COVER
17	016293-000	1	GRIDDLE SUPPORT, LEFT
18	025750-000	1	TROUGH, GRIDDLE, ASM, 24

*No Image
Available*

Ref #	Part Number	Qty.	Description
NI	031434-000	1	WIRE ASSEMBLY, BLACK
NI	031435-000	1	WIRE ASSEMBLY, WHITE