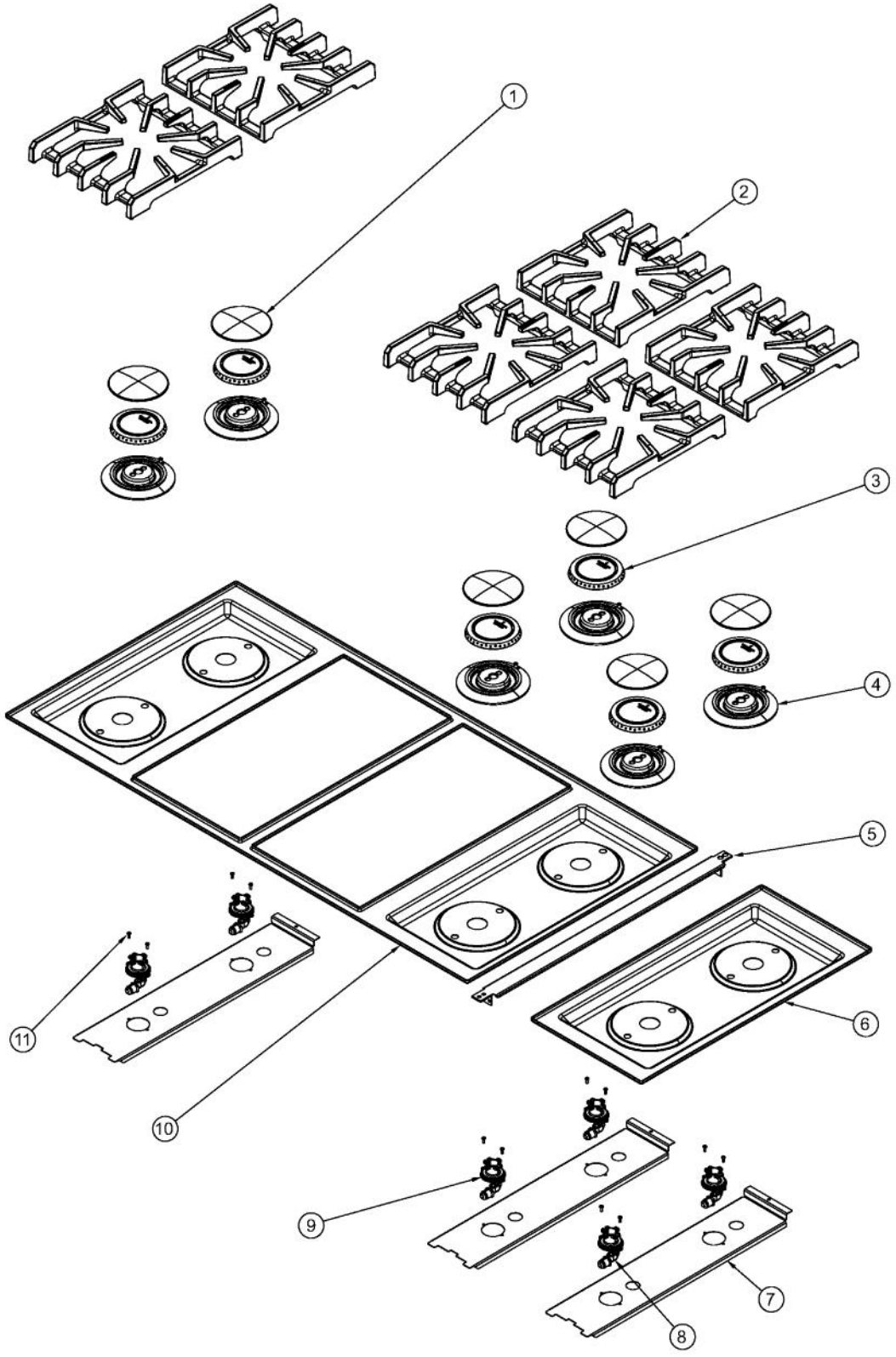
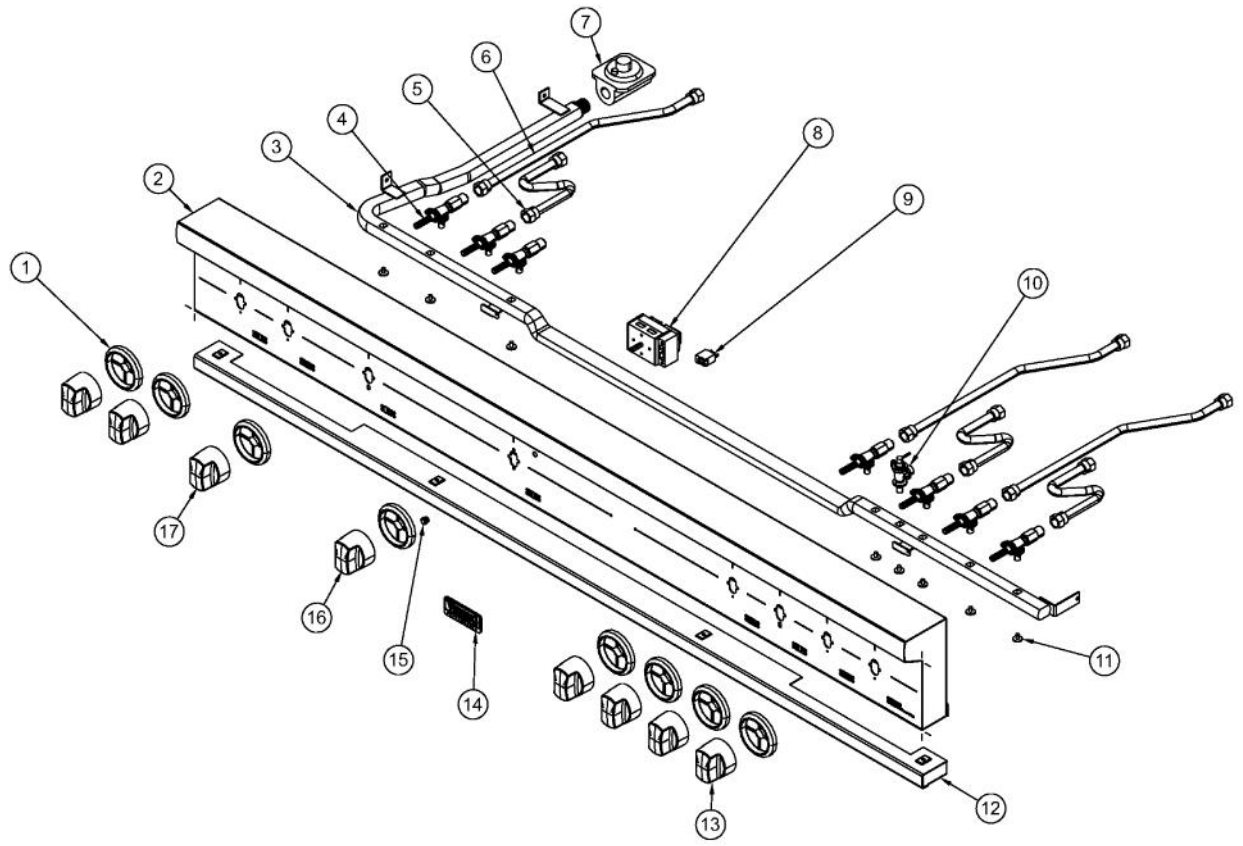


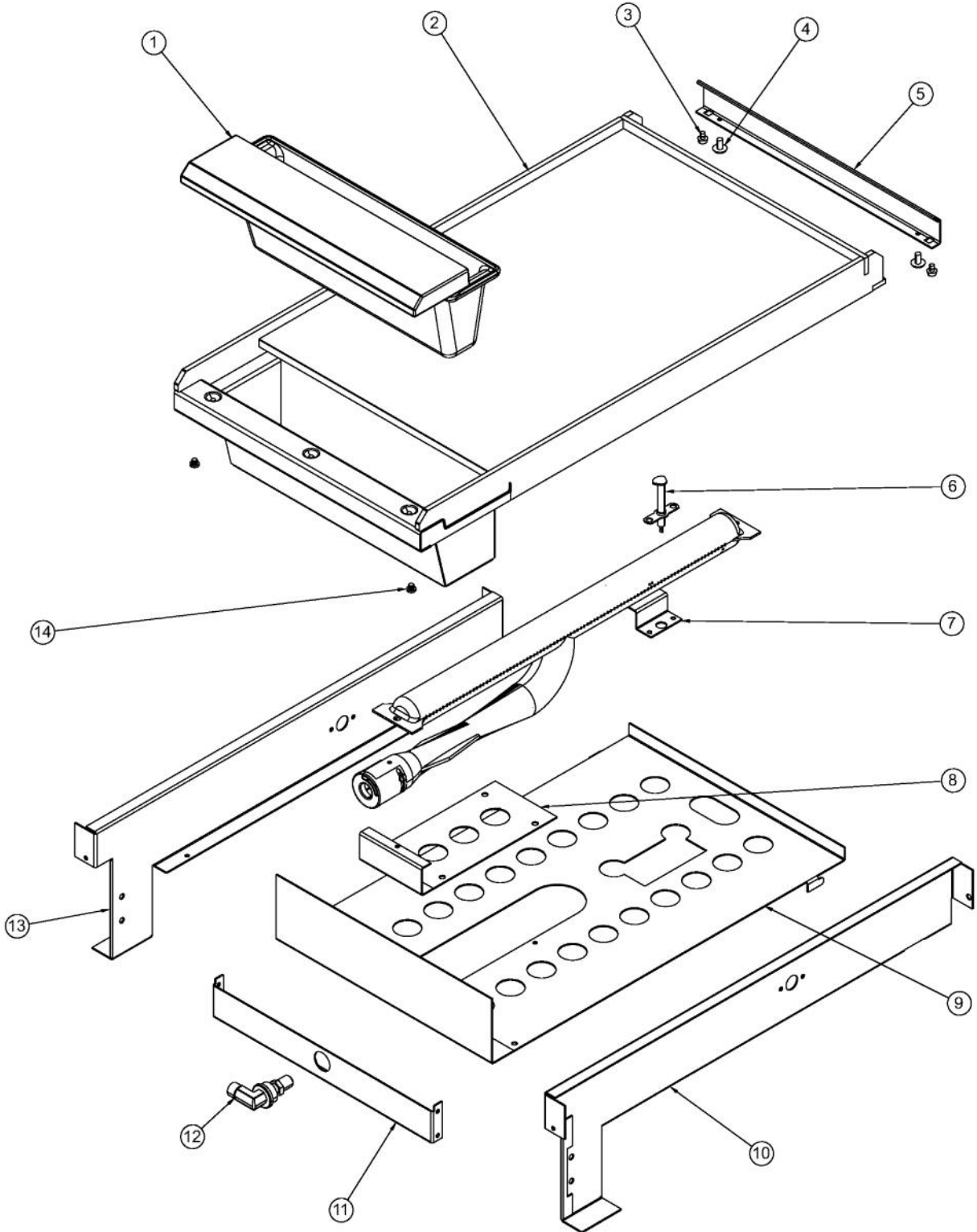
Ref #	Part Number	Qty.	Description
1	003649-000	1	SIDE TRIM, LH - STAINLESS
2	008101-000	1	PANEL, LH, RANGETOP
3	003481-000	1	BURNER BOX SIDE, LH
4	PB080061	1	GREASE PAN
5	008286-000	2	BRACKET, DRIP, PAN, CUSTOM, Q-MODELS
6	024305-000	1	COVER, DSI, 6G
7	006762-000	1	SUPPORT, BURNER BOX, REAR
8	023651-000	1	DSI120 LONG PURGE
9	024301-000	1	BOARD, DSI, CRADLE
10	025085-000	1	RANGE TOP, PNL, BACK, VGRT CUSTOM
11	009402-000	1	SOLENOID HEAT SHIELD COVER
12	009111-000	1	VALVE, SOL, SINGLE
13	006415-000	1	BURNER BOX, BOT, VDSC560
14	002755-000	1	BURNER BOX SIDE, RH
15	002920-000	1	SIDE TRIM, RH - STAINLESS
16	008100-000	1	PANEL, RH RANGETOP
17	015048-000	1	RANGETOP, PANEL, BOTTOM, 60`` VGRT
18	006759-000	1	SUPPORT, BURNER BOX, FRONT
19	015391-000	1	HEAT SHIELD
20	PB070146	3	POLY FILM, (VDSC, VGSC)



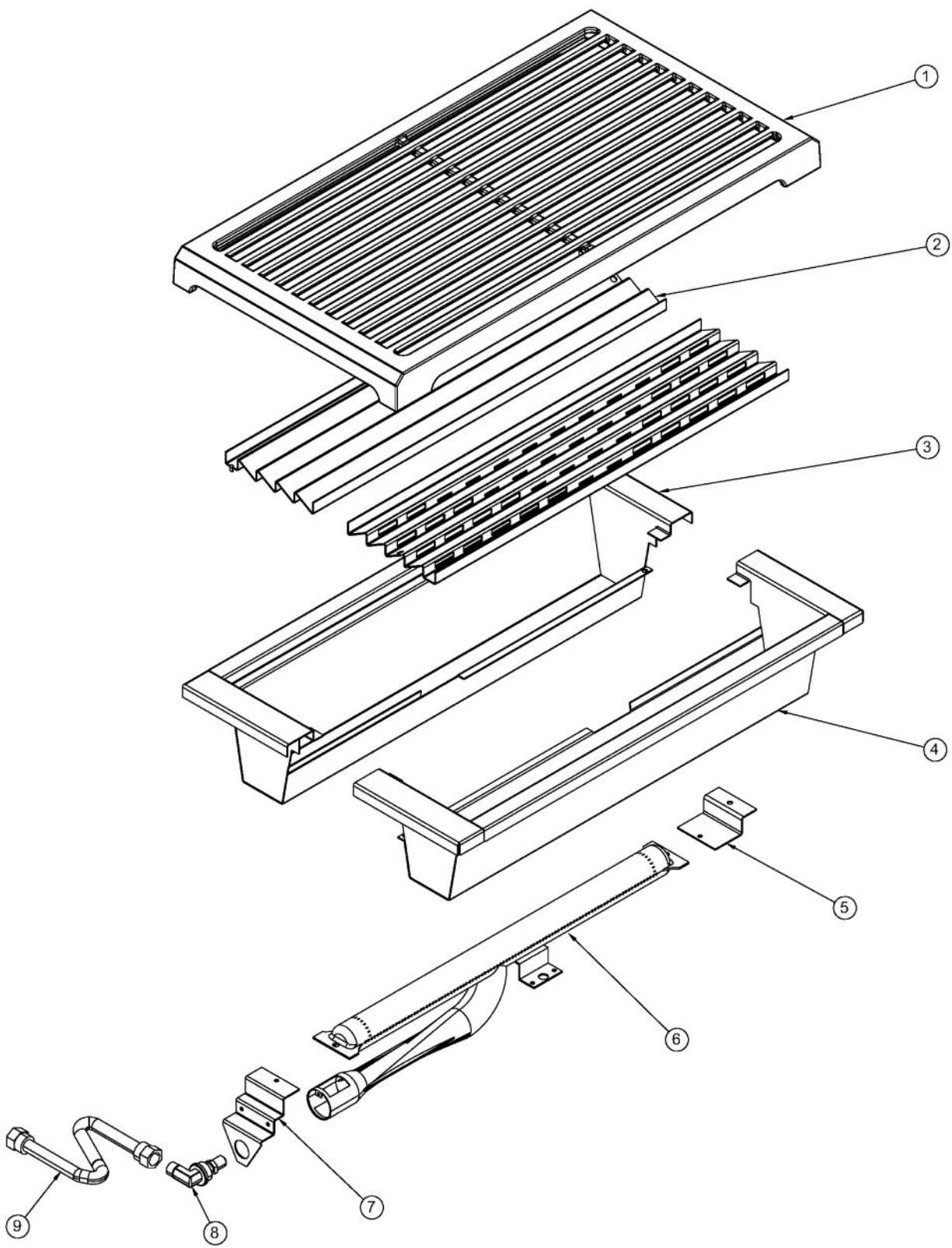
Ref #	Part Number	Qty.	Description
1	PA080083	6	D BURNER CAP XMATTE BLACKX
2	007323-000	6	BURNER GRATE
3	006706-000	6	B6 REV SEALED BURNER
4	003322-041	6	SEALED BURNER BASE, PAINTED FINISH
5	017168-002	1	BRIDGE, PORC, ASM, XBKX
6	E91015333BK	1	SEALED BURNER TOP - 12 XBKX
7	002923-000	2	BURNER MODULE SUPPORT
8	001394-041	1	18500 BTU NAT JETHOLDER
8	001394-044	1	16.6 K BTU LP JETHOLDER
9	001394-042	5	15000 BTU NAT JETHOLDER
9	001394-046	5	12.5 K BTU LP JETHOLDER
10	E9109803BK	1	48 SEALED COOKTOP 4BGQ XBKX
11	PD020076	12	6-32 X 3/8 PHILL PAN MS



Ref #	Part Number	Qty.	Description
1	PB010304	8	KNOB BEZEL
1	PB010304PVD	8	RESTYLE KNOB BEZEL, BR
2	015185-000	1	CONTROL PANEL, W/GRAPHICS VGRT560-6GQ
3	006602-000	1	MANIFOLD, GAS, VDSC5606GQ
4	006015-000	7	VALVE, BRS, SEALED TOP - ISPHORDING
4	004507-000	6	SUB TO 006313-000 - VALVE,BRS,ASM, TOP,BURNER, FLRE,...
5	PB020192	3	10 FLEX TUBING W/CONNECTORS
6	PB020193	3	16 FLEX TUBING W/CONNECTORS
7	PA070001	1	PRESSURE REGULATOR (NAT.)
7	013386-000	1	LP PRESSURE REGULATOR
8	012235-000	1	ELECTRONIC THERMOSTAT - 2 POS. W/O LEADS
9	PE050024	1	OVEN IND. LIGHT (LIGHT HOUSING)
10	PB030007	1	SHUT OFF VALVE
11	PD010012	8	VALVE BOLT 1/4-20 UNC-2B 5/16 M.S.
12	014321-000	1	TRIM, ASM, CUSTOM 60
13	005269-000	6	RANGE TOP BURNER KNOB-BRUSHED, SSS
14	PE010142	1	3 LOGO XBKXXCHROME
14	PE010144	1	3 LOGO XWHXCHROME
15	PE050023	1	OVEN IND. LIGHT (LENS & BEZEL)
16	006570-000	1	KNOB, GRDL/(LH OVEN), ASM, PVD, NO.3, SSS
17	006574-000	1	KNOB, GRL, ASM, PVD, NO.3, SSS



Ref #	Part Number	Qty.	Description
1	023451-000	1	TROUGH, ASM
2	012290-000	1	GRIDDLE WELD ASM
3	PD040075	2	RUBBER FOOT
4	PD020033	2	SRW-NO.10-24X1/2T(23)PH.WFR HD (NKL)
5	015209-000	1	GRIDDLE, CVR, REAR, DCBZ, BLK
6	PA020028	1	SPARK IGNITER
7	013888-000	1	GRIDDLE, BURNER, ASM, NAT, W/IGNITOR BRACKET
7	013889-000	1	GRIDDLE, BURNER, ASM, LP, W/IGNITOR BRACKET
8	006785-000	1	GRIDDLE, BOX, VENTURI, COVER
9	016292-000	1	BURNER BOX BOTTOM, GRILL
10	016295-000	1	SIDE, GRILL BOX, RH
11	006783-000	1	GRIDDLE BRKT, ORIFICE, CUSTOM RANGES
12	PB040190	1	90 DEGREE ORIFICE FITTING NO.50 NAT
13	016293-000	1	GRIDDLE SUPPORT, LEFT
14	PD040035	2	GROMMET-SPIDER GRATE (VGSU)



Ref #	Part Number	Qty.	Description
1	010168-000	1	CUSTOM RANGE GRILL GRATE
2	E9101130	2	GRILL SMOKE GENERATOR
3	013595-000	1	PAN, DRIP, ASM, LEFT
4	013593-000	1	PAN, DRIP, ASM, RIGHT
5	008636-000	1	BRACKET, BURNER, GRILL, REAR
6	007878-000	1	BURNER, GRIL, ASM
6	012460-000	1	BURNER, GRILL, ASM, LP CUSTOM RANGES
7	007776-000	1	MOUNT, GRILL, BURNER, FRONT
8	PB040238	1	90 DEGREE ORIFICE FITTING, NAT NO.47
8	019407-000	1	90 DEGREE ORIFICE FITTING, LP (1.19MM)
9	PB020192	1	10 FLEX TUBING W/CONNECTORS