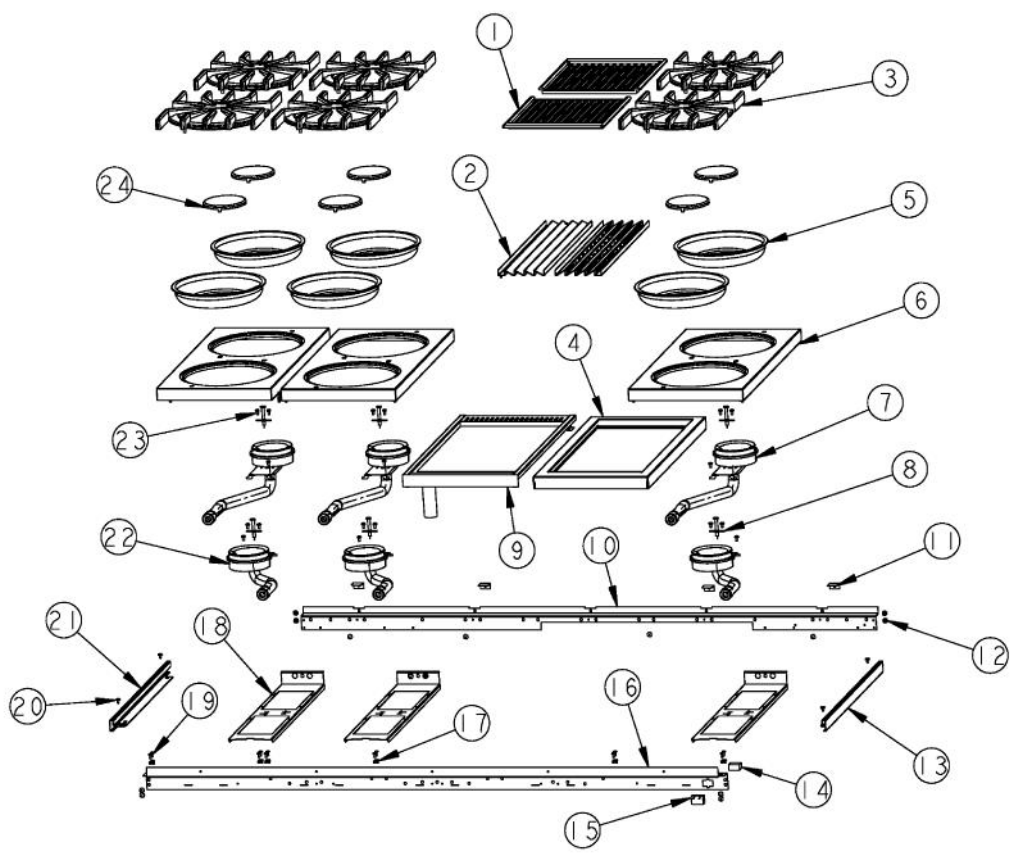
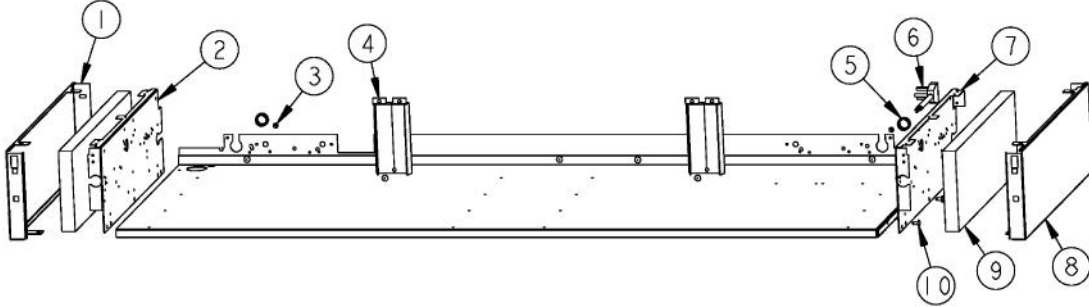


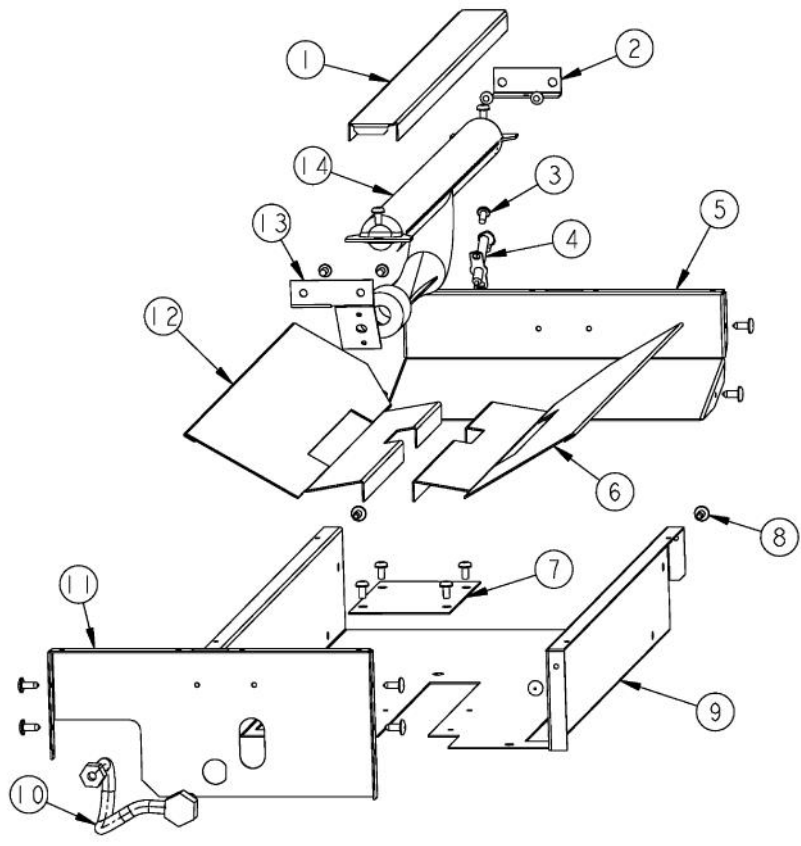
| Ref # | Part Number | Qty. | Description                                |
|-------|-------------|------|--|
| 1     | G3001810    |      | LANDING LEDGE (VGRC605)                    |
| 2     | PD030005    |      | SELF RETAINING NUT                         |
| 3     | PD010003    |      | 10-24 X 1/2 PH.TR.HD.SERD.M.S.             |
| 4     | PB040052    |      | PIPE NIPPLE - 22 (VGBQ)                    |
| 5     | PA050048    |      | INLET PIPE                                 |
| 6     | PA070003    |      | PRESSURE REGULATOR (NAT.)                  |
| 7     | PB030007    |      | SHUT OFF VALVE                             |
| 8     | PB010264    |      | GRIDDLE THERMOSTAT                         |
| 9     | PA010159    |      | SUB TO 003536-000 - RANGE GRILL VALVE      |
| 10    | PA010012    |      | ROPER PLUG                                 |
| 11    | PA020058    |      | IRIS SINGLE SPARK MODULE                   |
| 12    | PD030006    |      | CAPPED WASHER PAL NUT                      |
| 13    | PE050024    |      | OVEN IND. LIGHT (LIGHT HOUSING)            |
| 14    | A1001138    |      | MANIFOLD BRKT                              |
| 15    | PD040005    |      | SNAP BUSHING - 7/8                         |
| 16    | PD010012    |      | VALVE BOLT 1/4-20 UNC-2B 5/16 M.S.         |
| 17    | PD020033    |      | SRW-NO.10-24X1/2T(23)PH.WFR HD (NKL)       |
| 18    | PB010208    |      | BEZEL, CHROME PLATE                        |
|       | PB010209    |      | BEZEL BRASS                                |
| 19    | PB010206    |      | VGSC,VGRC,VGRT TOP BURNER KNOB(BK)         |
|       | PB010207    |      | VGSC,VGRC,VGRT TOP BURNER KNOB(WH)         |
| 20    | PA010122    |      | VGRC/IC/RT GRILL KNOB (BK)                 |
|       | PA010123    |      | VGRC/IC/RT GRILL KNOB (WH)                 |
| 21    | PD020006    |      | NO.6-32 X 1/4 PH.PAN HD. T(F)              |
| 22    | PB010103    |      | GRIDDLE KNOB N/S XBKX                      |
|       | PB010104    |      | GRIDDLE KNOB N/S XWHX                      |
| 23    | PE050023    |      | OVEN IND. LIGHT (LENS & BEZEL)             |
| 24    | PE010142    |      | 3 LOGO XBKXXCHROME                         |
|       | PE010143    |      | 3 LOGO BK/BR                               |
|       | PE010144    |      | 3 LOGO XWHXCHROME                          |
|       | PE010145    |      | LOGO - WH / BR                             |
| 25    | PD020067    |      | NO.6 X 3/8 PAN PHIL. TEK SS                |
| 26    | B9202601    |      | CTRL PAN- (VGRT600-6GQ )XSLK SCRX          |
|       | C9202601AL  |      | CONTROL PANEL VGRT600-6GQ XALX SILK SCR    |
|       | C9202601BK  |      | CTRL PAN- XBKX (VGRT600-6GQ)               |
|       | C9202601BT  |      | CONTROL PANEL VGRT600-6GQ XBTX SILK SCR    |
|       | C9202601BU  |      | CONTROL PANEL VGRT600-6GQ XBUX SILK SCR    |
|       | C9202601CB  |      | CONTROL PANEL VGRT600-6GQ XCBX SILK SCR    |
|       | C9202601EP  |      | CONTROL PANEL VGRT600-6GQ XEPX SILK SCR    |
|       | C9202601FG  |      | CONTROL PANEL VGRT600-6GQ XFGX SILK SCR    |
|       | C9202601GG  |      | CONTROL PANEL VGRT600-6GQ XGGX SILK SCR    |
|       | C9202601LE  |      | CONTROL PANEL VGRT600-6GQ XLEX SILK SCR    |
|       | C9202601MJ  |      | CONTROL PANEL VGRT600-6GQ XMJX SILK SCR    |
|       | C9202601SG  |      | CONTROL PANEL VGRT600-6GQ XSGX SILK SCR    |
|       | C9202601VB  |      | CONTROL PANEL VGRT600-6GQ XVBX SILK SCR    |
|       | C9202601WH  |      | CTRL PAN- XWHX ( VGRT600-6GQ)              |
| 27    | PA050116    |      | UNIVERSAL 60 MANIFOLD                      |
| 28    | PD020002    |      | 10 X 1/2 PH.TR.HD.SMS.                     |
| 29    | PA010157    |      | SUB TO 003515-000 - RANGE TOP BURNER VALVE |



| Ref # | Part Number | Qty. | Description                         |
|-------|-------------|------|-------------------------------------|
| 1     | PA060058    |      | GRILL GRATE - MATT XBKX RE PA060028 |
| 2     | E9101130BK  |      | GRILL SMOKE GENERATOR               |
| 3     | PA060037    |      | GRATE BK REPL PA060024 (GEN.NO.2)   |
| 4     | G9101182BK  |      | GRILL GRATE SUPT (VGRT) XBKX        |
|       | G9101182WH  |      | GRILL GRATE SUPT (VGRT) XWHX        |
| 5     | PA030002BK  |      | BURNER BOWL (VGRT) XXBKXX           |
|       | PA030002WH  |      | BURNER BOWL (VGRT) XXWHXX           |
| 6     | G50013584BK |      | GRATE SUPPORT SERVICE KIT (BK)      |
|       | G50013584WH |      | GRATE SUPPORT SERVICE KIT (WH)      |
| 7     | PA080036    |      | TOP BURNER REAR REPL PA080008       |
| 8     | PA020028    |      | SPARK IGNITER                       |
| 9     | G30010494   |      | GRIDDLE WELD ASSY                   |
| 10    | A2001812    |      | REAR BURNER SUPT (VGRC60)           |
| 11    | A2001147    |      | GRATE SUPT ANGLE (VGRT)             |
| 12    | PD020002    |      | 10 X 1/2 PH.TR.HD.SMS.              |
| 13    | B2001915    |      | SIDE TRIM-RH (VGRT)                 |
|       | C9301915BR  |      | SIDE TRIM RH (VGRT) XBRX            |
| 14    | PE070071    |      | DISCONNECT BLOCK XALX 770027-1      |
| 15    | 000573-000  |      | POWER JUMPER WIRE                   |
| 16    | A2001811    |      | FRONT BURNER SUPT- (VGRC60)         |
| 17    | PD010016    |      | BALL STUD FASTEN                    |
| 18    | A2001112    |      | BURNER SUPT (VGRT)                  |
| 19    | PC040010    |      | POP RIVET                           |
| 20    | PD020032    |      | SRW-8(A)X3/8PH.WFR HD 7/16DIAXNICL  |
| 21    | B2001916    |      | SIDE TRIM-LH (VGRT)                 |
|       | C9301916BR  |      | SIDE TRIM LH (VGRT) XBRX            |
| 22    | PA080037    |      | TOP BURNER FRONT REPL PA080007      |
| 23    | PD020004    |      | 10X3/8PH.HD.TYPE 25 REPL PD040125   |
| 24    | PA080015    |      | BURNER CAP-VGRT XBKX                |

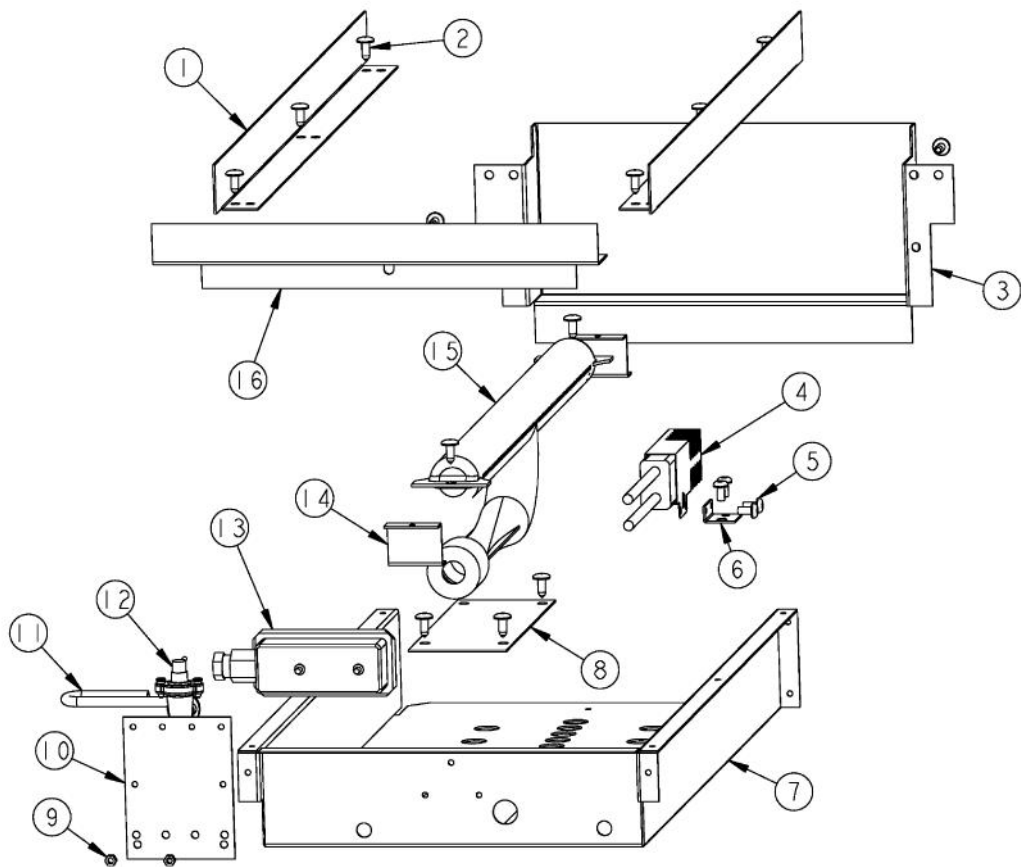


| Ref # | Part Number | Qty. | Description                    |
|-------|-------------|------|--------------------------------|
| 1     | B2001920    |      | SIDE PANEL-LH (VGRT)           |
| 2     | A2001912    |      | BURNER BOX SIDE LH             |
| 3     | PD020010    |      | 10 X 3/8 GREEN GROUNDING SCREW |
| 4     | A2009598    |      | BACK SUPPORT                   |
| 5     | PD040005    |      | SNAP BUSHING - 7/8             |
| 6     | PE070128    |      | SUPPLY CORD (VGRT/SC/SS/RC)    |
| 7     | A2001911    |      | BURNER BOX SIDE RH             |
| 8     | B2001919    |      | SIDE PANEL-RH (VGRT)           |
| 9     | PB070034    |      | INSULATION-TRS-10 1 X 20 X 3`  |
| 10    | PD020002    |      | 10 X 1/2 PH.TR.HD.SMS.         |

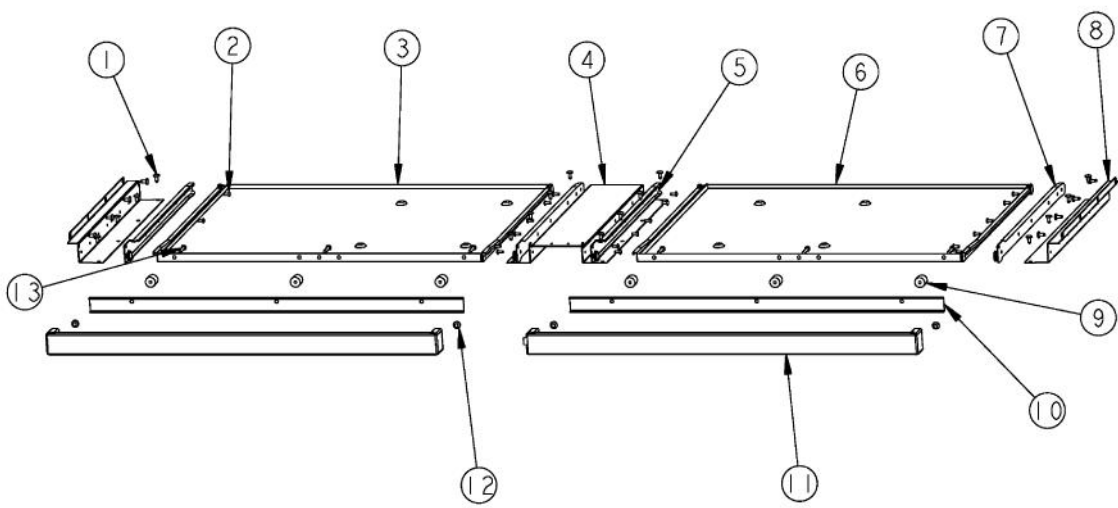


| Ref # | Part Number | Qty. | Description                         |
|-------|-------------|------|-------------------------------------|
| 1     | B2001140    |      | GRILL FLAME SHIELD (VGRT)           |
| 2     | A2001132    |      | REAR GRILL BURNER BRKT (VGRT)       |
| 3     | PD020004    |      | 10X3/8PH.HD.TYPE 25 REPL PD040125   |
| 4     | PA020028    |      | SPARK IGNITER                       |
| 5     | A2001855    |      | GRILL BACK - (VGRC605)              |
| 6     | B20010163   |      | HEAT DEFLECTOR                      |
| 7     | A1001862    |      | GRILL VENTURI COVER (VGRC605)       |
| 8     | PD020002    |      | 10 X 1/2 PH.TR.HD.SMS.              |
| 9     | A2001852    |      | GRILL BOX - (VGRC605)               |
| 10    | PB020025    |      | TUBING-GRILL (REVISED) REP PB020021 |
| 11    | A2001631    |      | GRILL BOX FRONT (VGRC)              |
| 12    | B2009846    |      | HEAT DEFLECTOR                      |
| 13    | A2001633    |      | GRILL FRONT SPARKER BRKT (VGRC)     |
| 14    | PB050077    |      | GRILL BURNER                        |

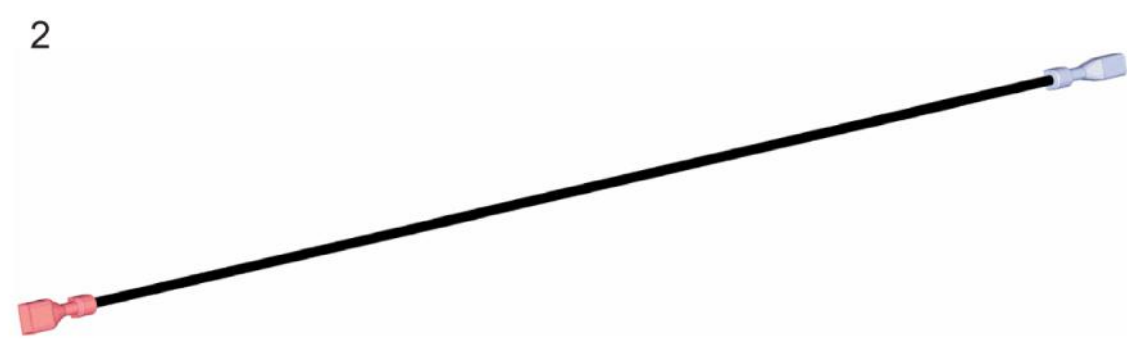
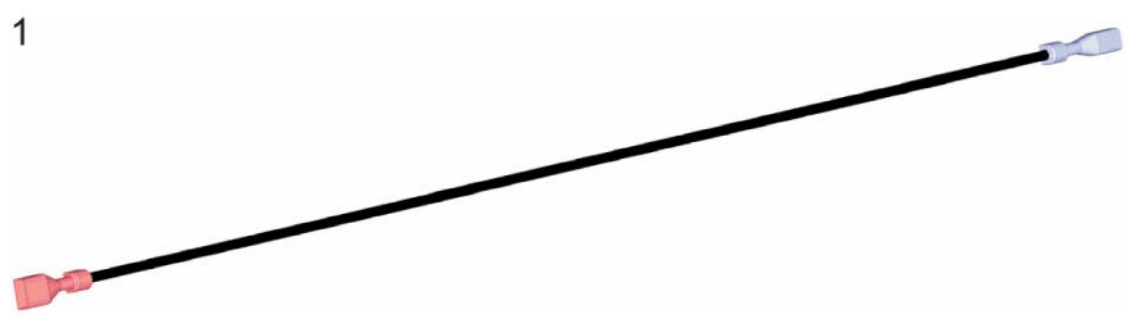




| Ref # | Part Number | Qty. | Description                        |
|-------|-------------|------|------------------------------------|
| 1     | A2002896    |      | GRIDDLE BOX EXTENSION (LH / RH)    |
| 2     | PD020002    |      | 10 X 1/2 PH.TR.HD.SMS.             |
| 3     | A2002899    |      | GRIDDLE FLUE BOX                   |
| 4     | PB040001    |      | IGNITOR - (ALL RANGES)             |
| 5     | PD020044    |      | NO.8-32 X 1/4 PH. TR. HD. M.S.     |
| 6     | A2001300    |      | GRIDDLE IGNITOR BRKT               |
| 7     | A2007610    |      | GRIDDLE BOX - VGIC4854G            |
| 8     | A1001636    |      | GRIDDLE VENTURI COVER              |
| 9     | PD030012    |      | 6-32 HEX NUT                       |
| 10    | A1001198    |      | THERMAL VALVE BRKT                 |
| 11    | PB020116    |      | TUBING - 10 FLEXIBLE 12 & 24       |
| 12    | PB030007    |      | SHUT OFF VALVE                     |
| 13    | PB010004    |      | SINGLE SAFETY VALVE (NAT. GRIDDLE) |
| 14    | A2002847    |      | SUPT-GRIDDLE BURNER                |
| 15    | PB050077    |      | GRILL BURNER                       |
| 16    | A2002898    |      | GRIDDLE BOX EXTENSION FRONT        |

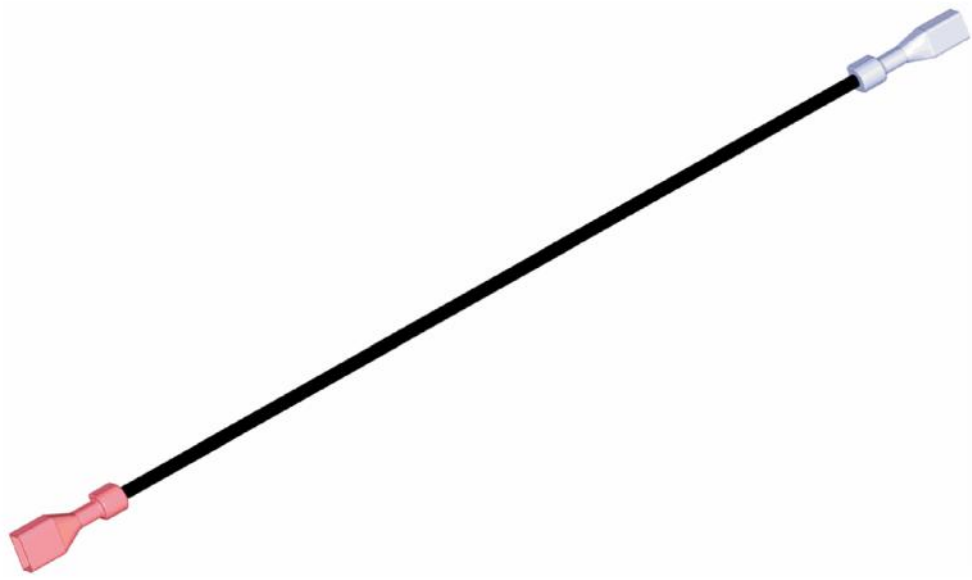


| Ref # | Part Number  | Qty. | Description                          |
|-------|--------------|------|--------------------------------------|
| 1     | PD020002     |      | 10 X 1/2 PH.TR.HD.SMS.               |
| 2     | PC040010     |      | POP RIVET                            |
| 3     | A3002770     |      | VGRC6056GQ AND 6G L.H. DRIP TRAY     |
| 4     | A2001821     |      | CENTER DRIP TRAY GUIDE BRKT. (VGRC6  |
| 5     | PK000007     |      | DRIP TRAY GUIDE - LH (VGRT)          |
| 6     | A3002769     |      | VGRC6055GQ R.H. DRIP TRAY            |
| 7     | PK000008     |      | DRIP TRAY GUIDE - RH                 |
| 8     | A2001160     |      | DRIP TRAY GUIDE BRKT (VGRT)          |
| 9     | PD040028     |      | BUSHING(.194ID/.750OD/.750LONG)      |
| 10    | A20010691    |      | DRIP TRAY HANDLE BACK 30             |
| 11    | G30010695    |      | DRIP TRAY HANDLE ASSY 30             |
|       | G93011458PVD |      | DRIP TRAY HANDLE ASSY 30 PVD         |
| 12    | PD040004     |      | GROMMET BUMPER                       |
| 13    | PD020079     |      | NO.10 X 1 1/4 PH. PAN HD. T(A) NYLOK |



| Ref # | Part Number | Qty. | Description                     |
|-------|-------------|------|---------------------------------|
| 1     | 000647-000  |      | IRIS IGNITOR WIRE, FRONT BURNER |
| 2     | 000648-000  |      | IRIS IGNITOR WIRE, BACK BURNER  |

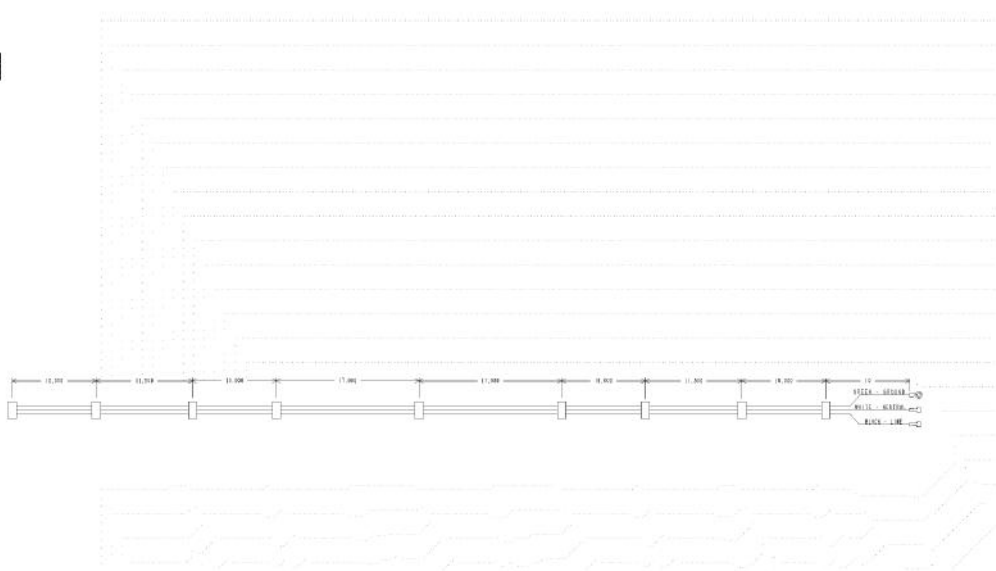
1



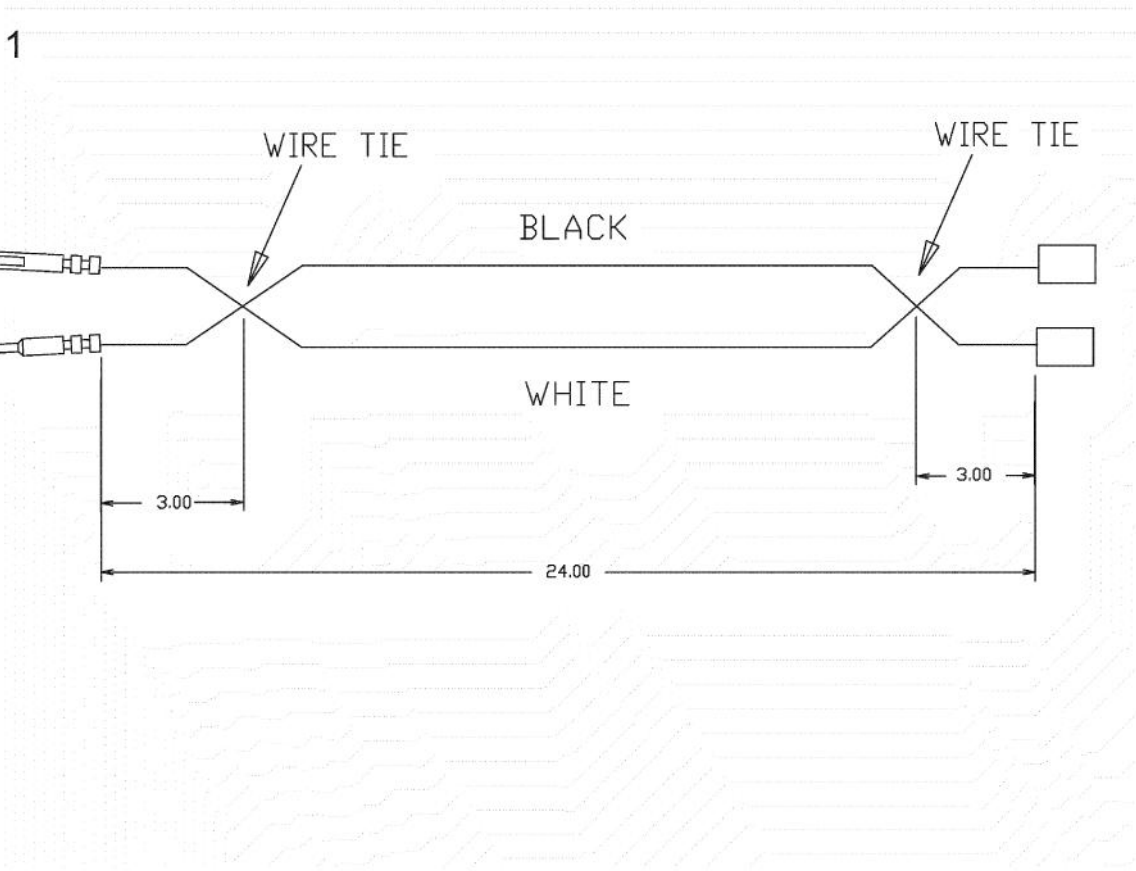
| Ref # | Part Number | Qty. | Description              |
|-------|-------------|------|--------------------------|
| 1     | 000649-000  |      | IRIS IGNITOR WIRE, GRILL |



1

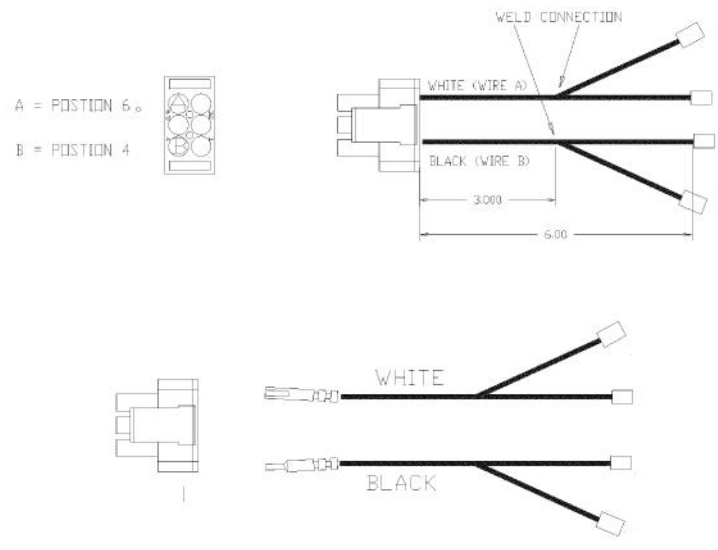


| Ref # | Part Number | Qty. | Description       |
|-------|-------------|------|-------------------|
| 1     | PE070892    |      | IRIS HARNESS - 60 |



| Ref # | Part Number | Qty. | Description                                 |
|-------|-------------|------|---|
| 1     | 000837-000  |      | VGRT SUPPLY CORD JUMPER<br>(BEFORE 10/4/11) |
| NI    | 027347-000  |      | SUPPLY CORD JUMPER<br>(ON OR AFTER 10/4/11) |

1



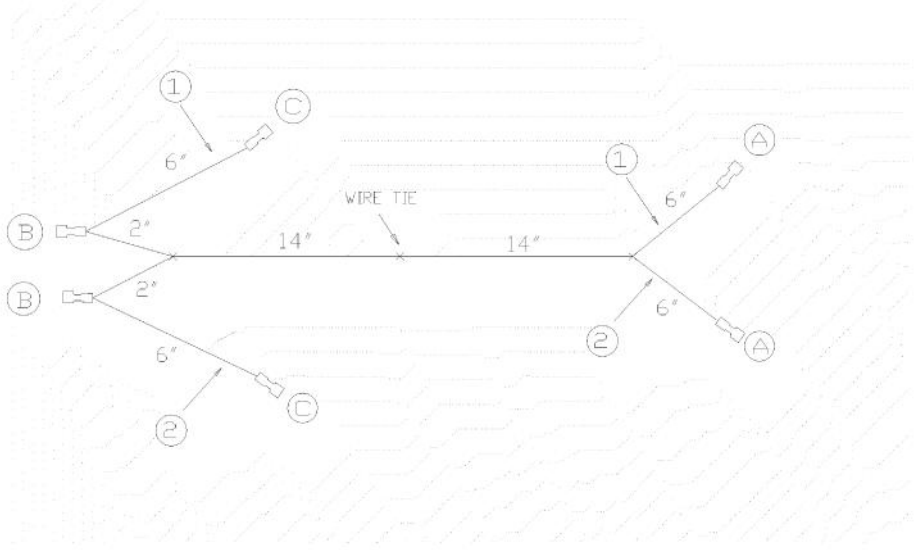
| Ref # | Part Number | Qty. | Description                 |
|-------|-------------|------|-----------------------------|
| 1     | 000878-000  |      | IRIS POWER JUMPER W/GRIDDLE |

1

① = BLACK WIRE

② = WHITE WIRE

|   | QTY | DESCRIPTION                               |
|---|-----|---|
| A | 2   | 250 X .032 INSULATED FEMALE QUICK CONNECT |
| B | 2   | 250 X .032 INSULATED FEMALE QUICK CONNECT |
| C | 2   | 187 X .032 INSULATED FEMALE QUICK CONNECT |



| Ref # | Part Number | Qty. | Description            |
|-------|-------------|------|------------------------|
| 1     | 000879-000  |      | GRIDDLE HARNESS W/IRIS |



*No Image  
Available*

| Ref # | Part Number | Qty. | Description |
|-------|-------------|------|-------------|
|-------|-------------|------|-------------|

---