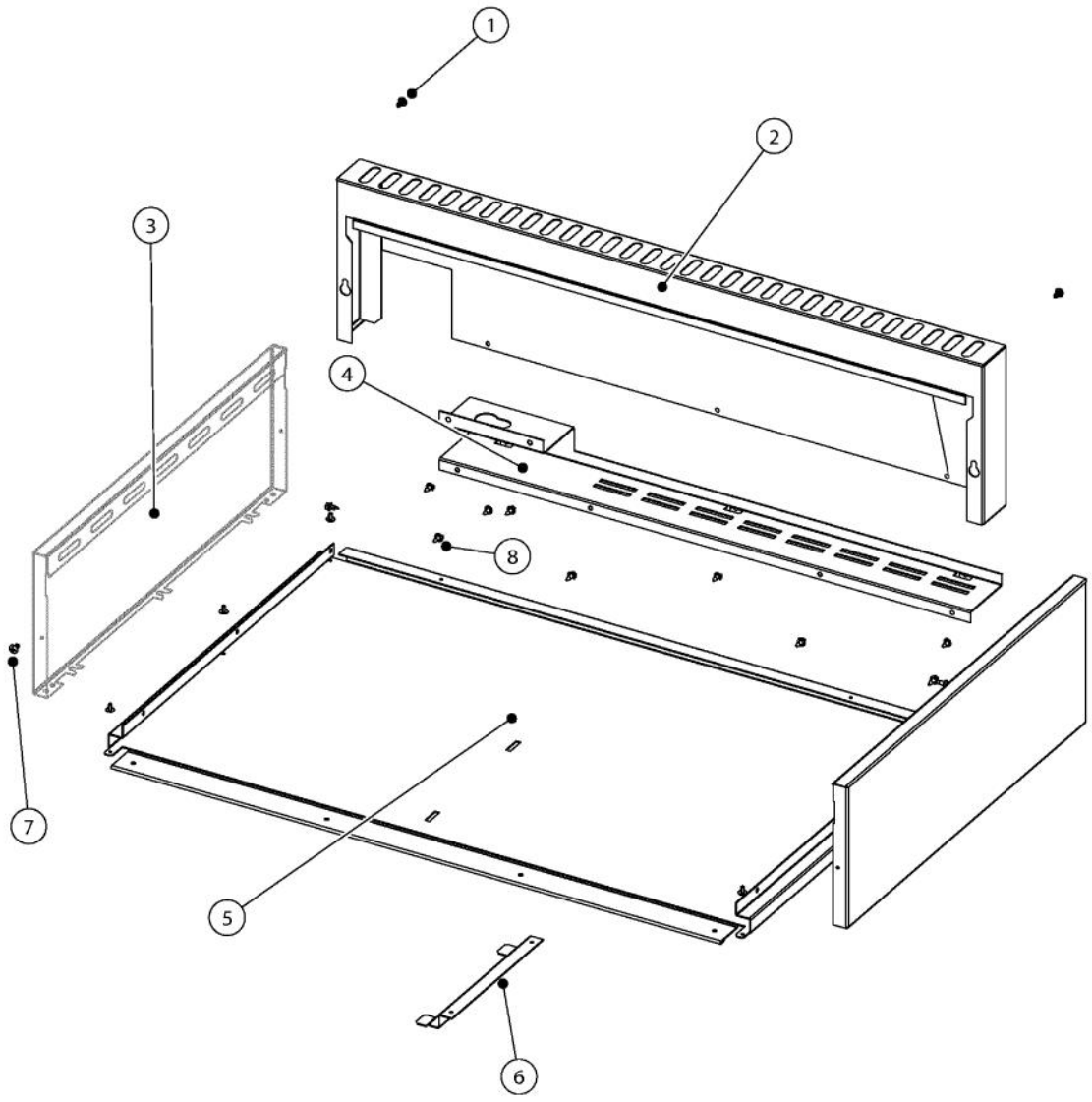
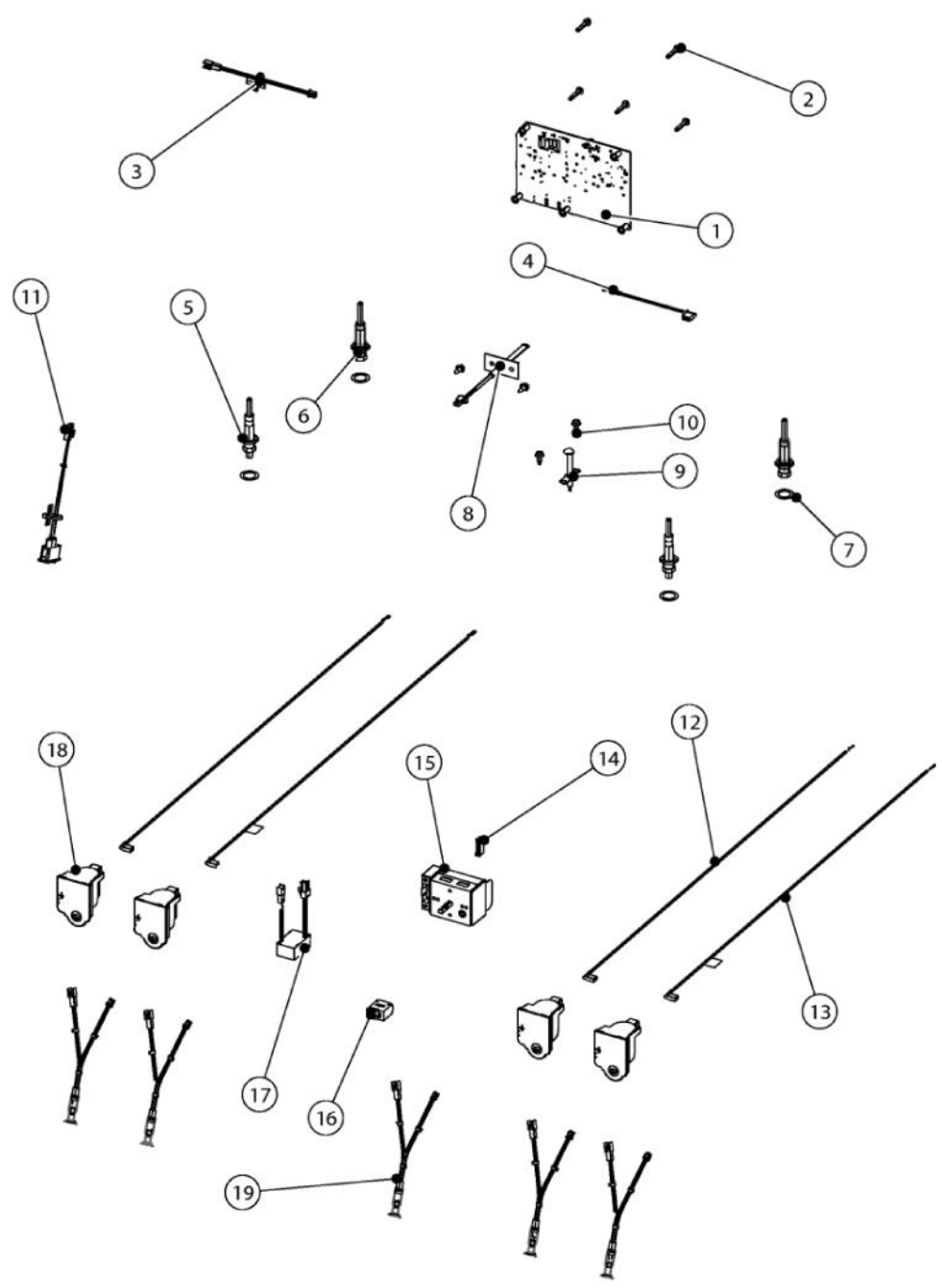


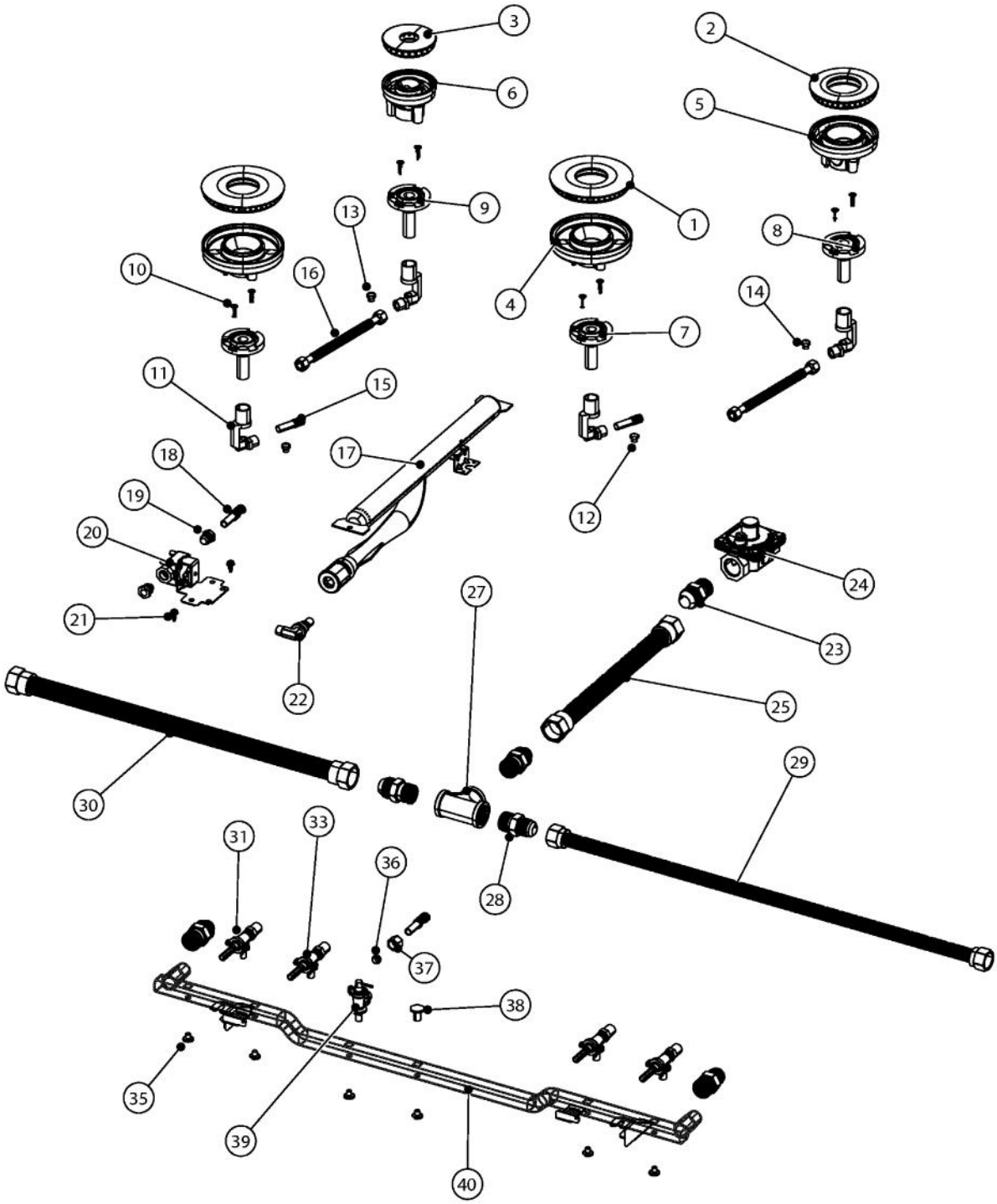
Ref #	Part Number	Qty.	Description
1	048861-2645	1	PANEL, CTRL, VGRT7364G W/GRAPHICS
2	044937-000	5	LENS, COVER, LED, CLEAR
3	PD020032	4	SRW-8(A)X3/8PH.WFR HD 7/16DIA XNICKL
4	027968-000	1	INDICATOR, LIGHT, BLUE
5	048309-000	5	BZL, KNOB
6	044512-000	4	BEARING, BEZEL, ASM
7	PD020046	4	NO.8 X 1/2 SCREWS
8	042558-000	4	KNOB, ASSY, BURNER
9	045725-000	1	KNOB, THERMOSTAT, GRIDDLE ASSY
10	PD020046	2	NO.8 X 1/2 SCREWS
11	PD030006	2	CAPPED WASHER PAL NUT
12	PE010142	1	3 LOGO XBKXXCHROME



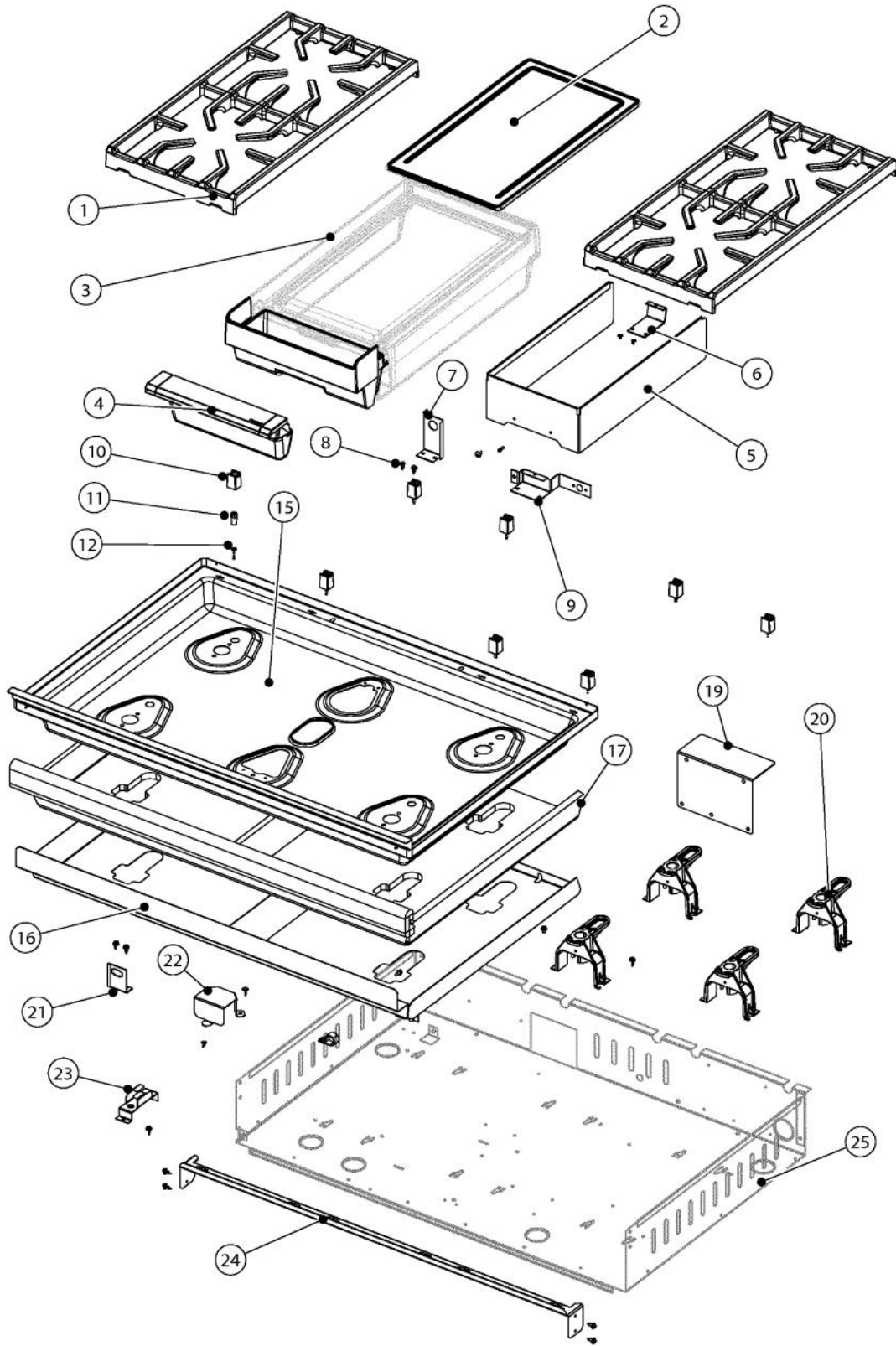
Ref #	Part Number	Qty.	Description
1	003801-000	2	SHOULDER SCREW, NO.10
2	042117-000	1	TRIM, IS, VGR, 36?
3	042404-000	2	COVER, OS, RH/LH UPPER?
4	046289-000	1	SHIELD, BRKT, RANGETOP
5	046053-000	1	RANGETOP, PANEL, BOTTOM, VGRT736
6	046508-000	1	BRACKET, SPRT, BOT
7	014143-000	2	SCR 10-12 A SHLD TRP 1/2 S ZN BLUE
8	003860-000	15	NO.10-18 X .500 FASTNR,SCR,HXWH,STL,ZPLT



Ref #	Part Number	Qty.	Description
1	043453-000	1	MODULE, DSI
2	M0211021	5	SCREW-SM
3	048482-000	1	HARNESS, LED, JUMPER
4	043994-000	1	WIRE, GROUND, 5
5	043065-000	2	ELECTRODE, ASM E?
6	043067-000	2	ELECTRODE , ASM, D?
7	045932-000	4	WASHER, ELECTRODE?
8	007008-000	1	RTD PROBE
9	PA020028	1	SPARK IGNITER
10	003860-000	4	NO.10-18 X .500 FASTNR,SCR,HXWH,STL,ZPLT
11	046283-000	1	SWITCH, LIGHTS, ACCENT W/CONN?
12	028312-000	2	WIRE, ELECTRODE,IRIS,REAR?
13	028324-000	2	WIRE, ELECTRODE,IRIS,FRONT?
14	038655-000	1	GRIDDLE,JUMPER,BRIGADE
15	038413-000	1	TSTAT,SMPS, ELEC, 2-POS, .91 SHAFT, CB
16	043135-000	1	HOUSING, LIGHT, LED, BLUE 3.3V
17	045647-000	1	AC/DC CONVERTER, POWERLINE
18	PA020058	4	IRIS SINGLE SPARK MODULE
19	048809-000	5	LAMP, LED, 12VDC, 2.84K, WHITE, ASM?



Ref #	Part Number	Qty.	Description
1	043159-000	2	E-BURNER HEAD
2	043251-000	1	D-BURNER HEAD
3	043791-000	1	BURNER, HEAD, BRS, C-SIZE
4	043158-000	2	E-BURNER BASE
5	043249-000	1	BASE, BNR, D
6	043790-000	1	BURNER, BASE, C-SIZE
7	044485-000	2	VENTURI, E NAT, FLANGE, BNR - NAT
8	044487-000	1	VENTURI, D NAT, D LP, FLANGE, BNR
9	044686-000	1	VENTURI, C NAT, C LP, FLANGE, BNR
NI	051790-000	1	TC-0101-SP 7 SERIES LR SURFACE BURNER KIT (FOR UNITS MANUFACTURED BEFORE 8/5/14)
10	046964-000	8	SCREW, 10-32 X 3/4, CTSK, BLACK
11	043208-000	4	HOLDER, JET, BURNER
12	043675-000	2	ORIFICE, BNR, STD, 2.18MM - NAT
13	044688-000	1	ORIFICE, BNR, STD, 1.22MM - NAT
14	046184-000	1	ORIFICE, BNR, STD, 1.70MM NAT
15	PB020191	2	15 FLEX TUBE
16	PB020198	2	20 FLEX TUBING
17	046133-000	1	BURNER, GRIDDLE
18	PB020126	2	3/8`` S.S. FLEX TUBING 15`` (DGCU)
19	PB040050	2	3/8CC MALE COMP. FITTING W/FERRULE
20	009111-000	1	VALVE, SOL, SINGLE
21	003860-000	4	NO.10-18 X .500 FASTNR,SCR,HXWH,STL,ZPLT
22	PB040190	1	90 DEGREE ORIFICE FITTING NO.50 NAT
23	044321-000	4	FITTING, ADAPTOR, 3/4 FLEX TUBING
24	046119-000	1	PRESSURE REGULATOR - NAT
25	044310-000	1	TUBING, 3/4 FLEX, SST, 13
27	044323-000	1	TEE, PIPE, 3/4
28	044824-000	2	FITTING, ADAPTOR, 1/2 FLEX TUBING
29	046396-000	1	TUBING, 1/2 I.D., FLEX, SST, 26
30	046399-000	1	TUBING, 3/4 FLEX, SST, 20
31	043134-000	2	VALVE, BNR, 9/16-24 UNEF ASSY - NAT
33	046197-000	2	VALVE, BNR, 9/16-24 UNEF ASSY - NAT
35	PD010012	6	VALVE BOLT 1/4-20 UNC-2B 5/16 M.S.
36	PB040192	1	3/8`` CC FERREL (DGCU)
37	PB040213	1	3/8 COMPRESSION NUT (DGCU)
38	002884-000	1	MANIFOLD PLUG
39	PB030007	1	SHUT OFF VALVE
40	046912-000	1	MANIFOLD, GRIDDLE, GAS, 36 ASM



Ref #	Part Number	Qty.	Description
1	042545-000	2	GRATE, CAST, 12
2	044873-000	1	PLATE, W/A, 12 GRIDDLE
3	047069-000	1	BASE, SUMP, GRIDDLE, ASM
4	047072-000	1	TROUGH, GRS, GRIDDLE, ASM
5	046854-000	1	SHIELD, HEAT
6	045840-000	1	BURNER, HOLDER, REAR
7	045888-000	1	BRKT, GRDL
8	003860-000	10	NO. 10-18 X .500 FASTNR,SCR,HXWH,STL,ZPLT
9	045843-000	1	BRKT, BURNER, SPT
10	042410-000	8	SUPPORT, GRATE
11	046873-000	8	SILENCER, GRATE
12	049534-000	8	SCREW, 8-32 X 3/4, PHIL, FLAT
15	045890-402	1	PAN, BNR, 36, 4G
16	049750-000	1	TRAY, INSULATION, BURNER PAN, GRIDDLE, 36
17	049777-000	1	INSULATION, LINER, GRIDDLE, BURNER PAN, 36
19	050649-000	1	SHIELD, WATER
20	044486-000	4	SUPPORT, HLDR, JET
21	033668-000	1	BRACKET, DISCONNECT
22	048188-000	1	BRACKET, TEE, PIPE
23	047927-000	1	BRKT, SHELF, POWER SUPPLY
24	049744-000	1	BRACKET, MTG, 36 CONTROL PANEL
25	046291-000	1	BOX, BNR, 36