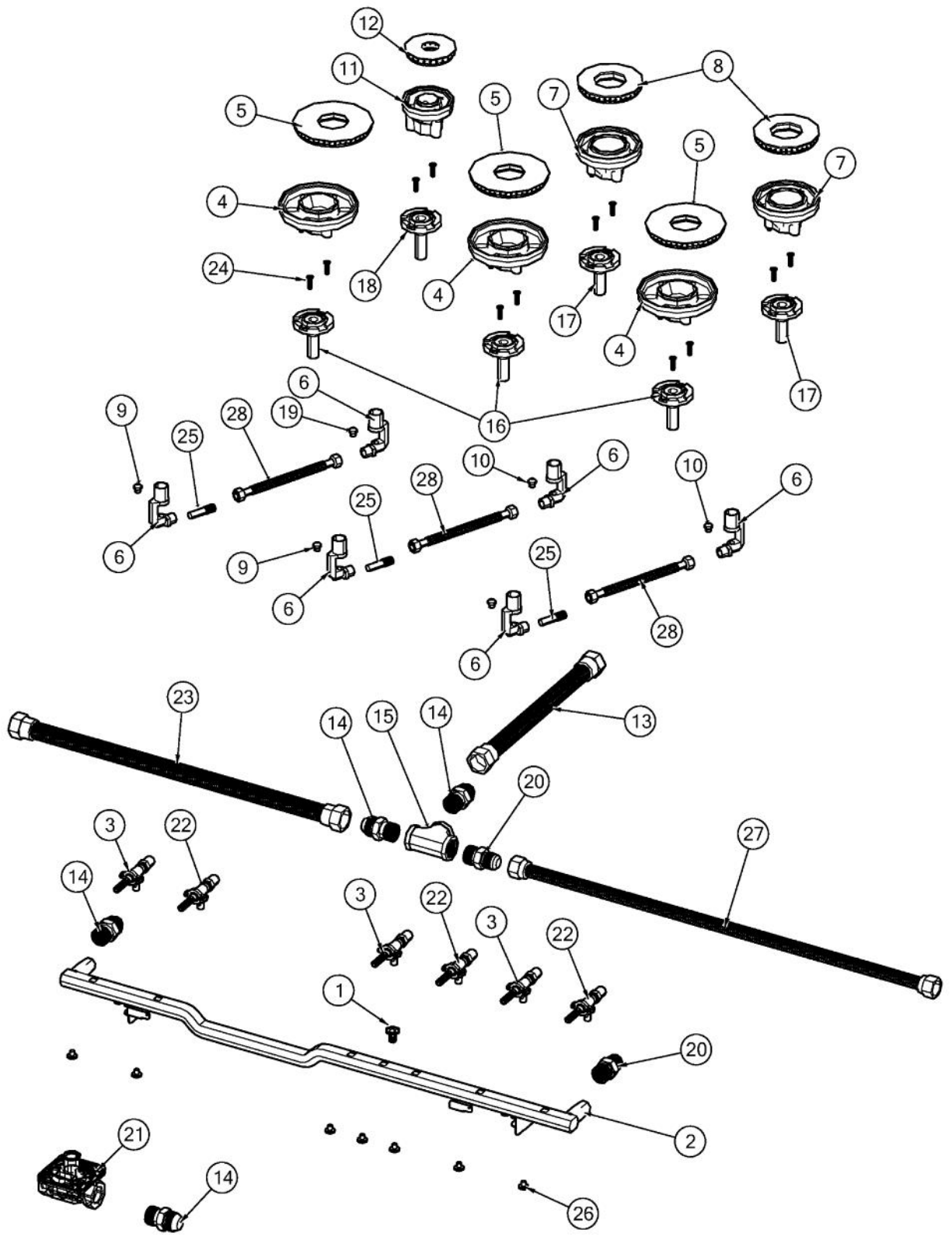
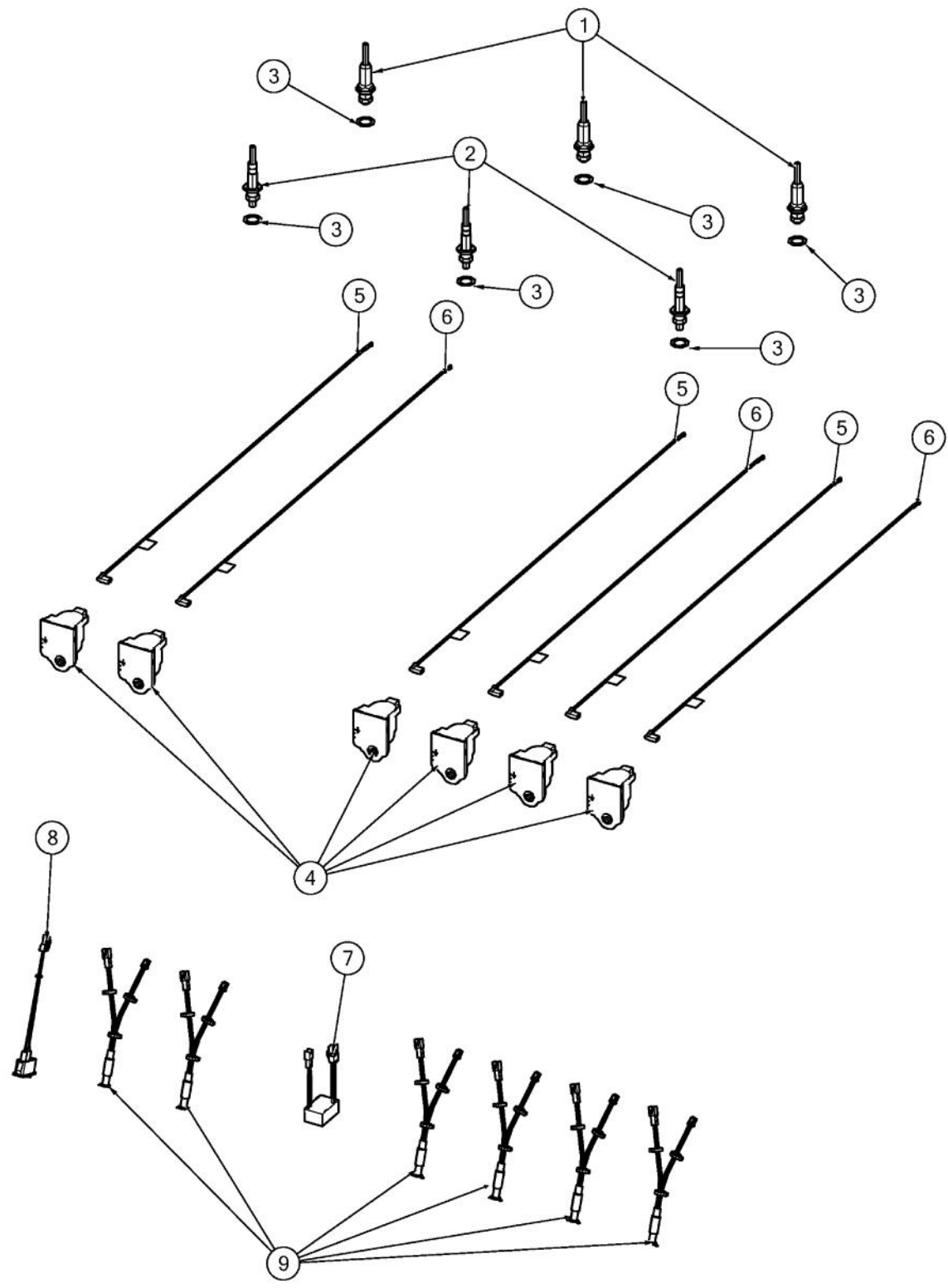


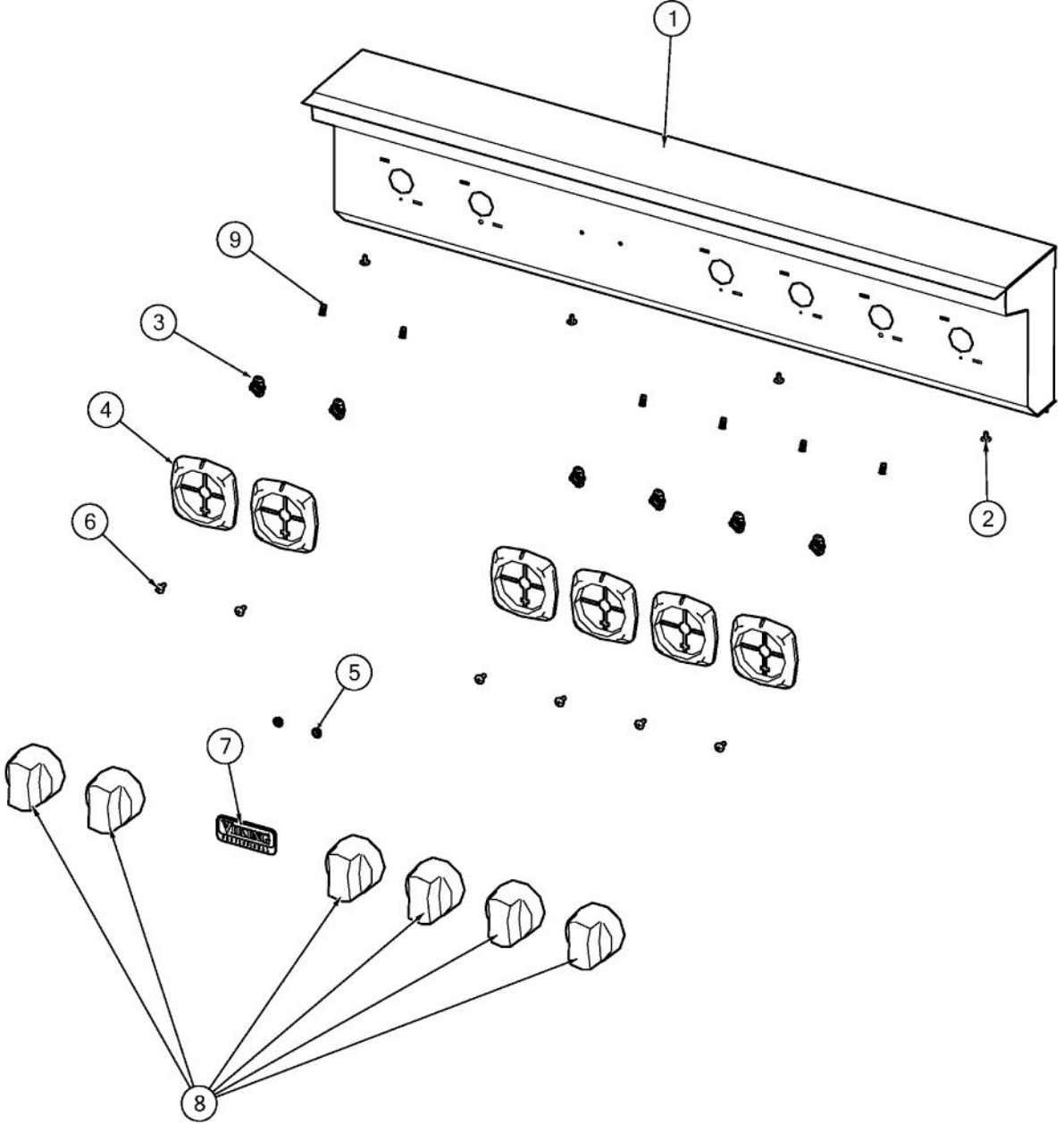
| Ref # | Part Number | Qty. | Description                         |
|-------|-------------|------|-------------------------------------|
| 1     | 042545-000  | 3    | GRATE, CAST, 12                     |
| 2     | 042412-000  | 12   | GRATE, LEG, ASSY                    |
| 3     | 048017-402  | 1    | PAN, BNR, SHIM, ASM, BLK            |
| 4     | 042400-000  | 1    | BRACKET, MTG, 36 CONTROL PANEL      |
| 5     | 033668-000  | 1    | BRACKET, DISCONNECT                 |
| 6     | 046291-000  | 1    | BOX, BNR, 36                        |
| 7     | 047927-000  | 1    | BRKT, SHELF, POWER SUPPLY           |
| 8     | PD020068    | 6    | NO.10 - 32 X 1/2TRUSS. PHIL. M.XSSX |
| 9     | 044486-000  | 6    | SUPPORT, HLDR, JET                  |
| 10    | 014143-000  | 2    | SCR 10-12 A SHLD TRP 1/2 S ZN BLUE  |
| 11    | PD030109    | 1    | INSULATED CLAMP                     |
| 12    | PE070069    | 1    | STRAIGHT-THRU BUSHING               |
| 13    | PD020061    | 12   | NO.8 X 3/4 FLAT HD TEK. SS.         |
| 14    | 048961-000  | 6    | STANDOFF, TWIST LOCK, TALL          |
| 15    | PD020010    | 2    | 10 X 3/8 GREEN GROUNDING SCREW      |



| Ref # | Part Number | Qty. | Description   |
|-------|-------------|------|---|
| 1     | 002884-000  | 1    | MANIFOLD PLUG   |
| 2     | 043122-000  | 1    | MANIFOLD, GAS, 36 ASM   |
| 3     | 043134-000  | 3    | VALVE, BNR, 9/16-24 UNEF ASSY - NAT   |
| 3     | 047915-000  | 3    | VALVE, BNR, 9/16-24 UNEF ASSY - LP  |
| 4     | 043158-000  | 3    | E-BURNER BASE   |
| 5     | 043159-000  | 3    | E-BURNER HEAD   |
| 6     | 043208-000  | 6    | HOLDER, JET, BURNER   |
| 7     | 043249-000  | 2    | BASE, BNR, D  |
| 8     | 043251-000  | 2    | D-BURNER HEAD   |
| 9     | 043675-000  | 3    | ORIFICE, BNR, STD, 2.18MM - NAT   |
| 9     | 044820-000  | 3    | ORIFICE, BNR, STD, .813MM - LP  |
| 10    | 043677-000  | 2    | ORIFICE, BNR, STD, 1.78MM - NAT   |
| 10    | 043679-000  | 2    | ORIFICE, BNR, STD, 1.32MM - LP  |
| 11    | 043790-000  | 1    | BURNER, BASE, C-SIZE  |
| 12    | 043791-000  | 1    | BURNER, HEAD, BRS, C-SIZE   |
| 13    | 044310-000  | 1    | TUBING, 3/4 FLEX, SST, 13   |
| 14    | 044321-000  | 4    | FITTING, ADAPTOR, 3/4 FLEX TUBING   |
| 15    | 044323-000  | 1    | TEE, PIPE, 3/4  |
| 16    | 044485-000  | 3    | VENTURI, E NAT, FLANGE, BNR - NAT   |
| 16    | 044488-000  | 3    | VENTURI, E LP, FLANGE, BNR - LP   |
| 17    | 044487-000  | 2    | VENTURI, D NAT, D LP, FLANGE, BNR   |
| 18    | 044686-000  | 1    | VENTURI, C NAT, C LP, FLANGE, BNR   |
| NI    | 051790-000  | 1    | TC-0101-SP 7 SERIES LR SURFACE BURNER KIT<br>(FOR UNITS MANUFACTURED BEFORE 8/5/14) |
| 19    | 044688-000  | 1    | ORIFICE, BNR, STD, 1.22MM - NAT   |
| 19    | 043680-000  | 1    | ORIFICE, BNR, STD, 1.07MM - LP  |
| 20    | 044824-000  | 2    | FITTING, ADAPTOR, 1/2 FLEX TUBING   |
| 21    | 046119-000  | 1    | PRESSURE REGULATOR - NAT  |
| 21    | 046120-000  | 1    | REGULATOR, PRSS, 3/4 INLET, 3/4 OUTLET - LP   |
| 22    | 046197-000  | 3    | VALVE, BNR, 9/16-24 UNEF ASSY - NAT   |
| 22    | 047916-000  | 3    | VALVE, BNR, 9/16-24 UNEF ASSY - LP  |
| 23    | 046399-000  | 1    | TUBING, 3/4 FLEX, SST, 20   |
| 24    | 046964-000  | 12   | SCREW, 10-32 X 3/4, CTSK, BLACK   |
| 25    | PB020191    | 3    | 15 FLEX TUBE  |
| 26    | PD010012    | 7    | VALVE BOLT 1/4-20 UNC-2B 5/16 M.S.  |
| 27    | 046396-000  | 1    | TUBING, 1/2 I.D., FLEX, SST, 26   |
| 28    | PB020198    | 3    | 20 FLEX TUBING  |

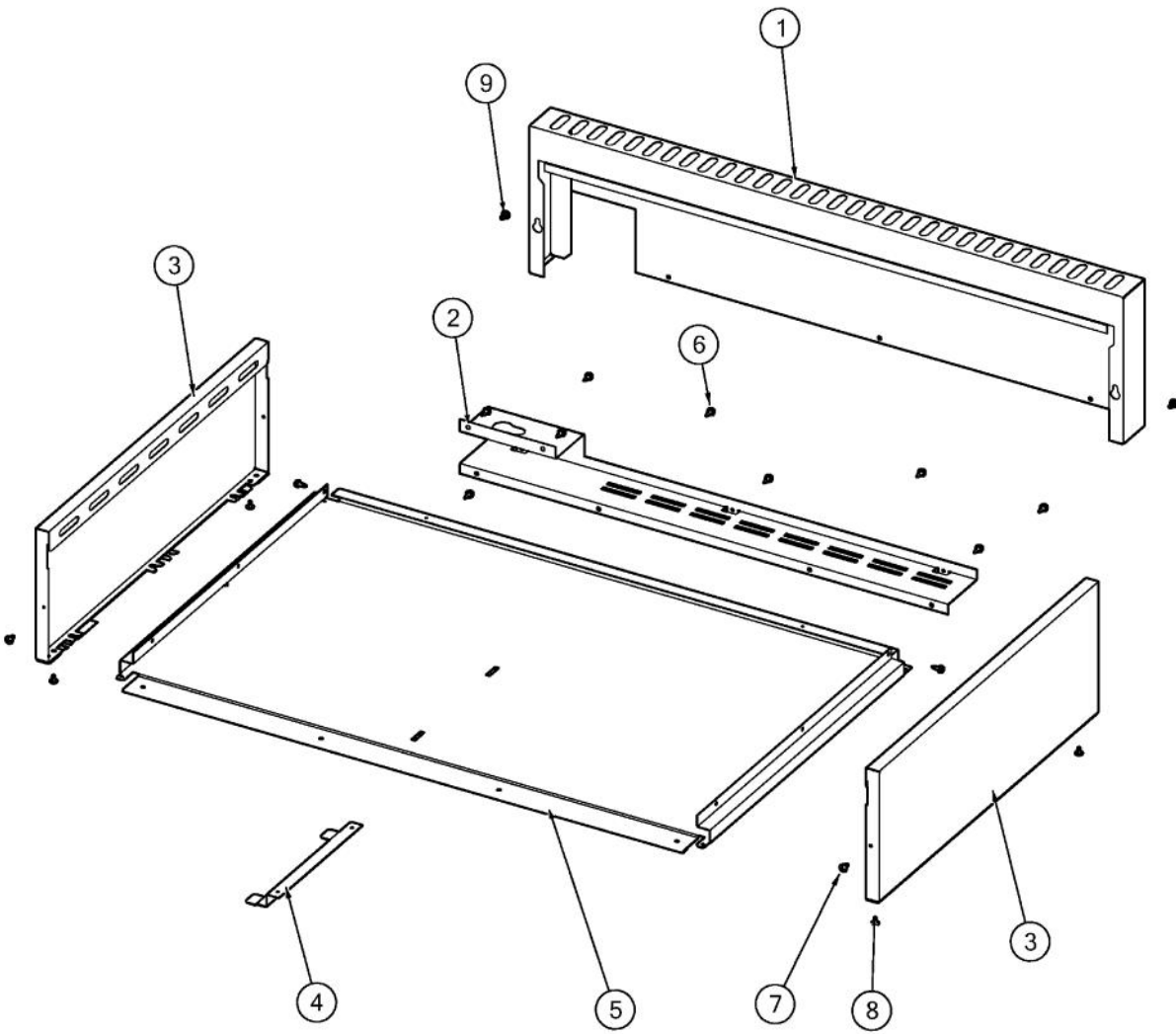


| Ref # | Part Number | Qty. | Description                          |
|-------|-------------|------|--------------------------------------|
| 1     | 043067-000  | 3    | ELECTRODE , ASM, D?                  |
| 2     | 043065-000  | 3    | ELECTRODE, ASM E?                    |
| 3     | 045932-000  | 6    | WASHER, ELECTRODE?                   |
| 4     | PA020058    | 6    | IRIS SINGLE SPARK MODULE             |
| 5     | 028312-000  | 3    | WIRE, ELECTRODE,IRIS,REAR?           |
| 6     | 028324-000  | 3    | WIRE, ELECTRODE,IRIS,FRONT?          |
| 7     | 045647-000  | 1    | AC/DC CONVERTER, POWERLINE           |
| 8     | 046283-000  | 1    | SWITCH, LIGHTS, ACCENT W/CONN?       |
| 9     | 048809-000  | 6    | LAMP, LED, 12VDC, 2.84K, WHITE, ASM? |
| NI    | 044747-000  | 1    | CORD, SUPPLY, CORD                   |
| NI    | 045490-000  | 1    | HARN, VGRT736, MAIN                  |
| NI    | 044192-000  | 1    | HARN, IRIS, 36, 6B, W/CONN           |



| Ref # | Part Number | Qty. | Description                        |
|-------|-------------|------|------------------------------------|
| 1     | 046068-2635 | 1    | PANEL, CTRL, VGRT7366B W/GRAPHICS  |
| 2     | PD020032    | 4    | SRW-8(A)X3/8PH.WFR HD 7/16DIAXNICL |
| 3     | 044512-000  | 6    | BEARING, BEZEL, ASM                |
| 4     | 048309-000  | 6    | BZL, KNOB                          |
| 5     | PD030006    | 2    | CAPPED WASHER PAL NUT              |
| 6     | PD020046    | 7    | NO.8 X 1/2 SCREWS                  |
| 7     | PE010142    | 1    | 3 LOGO XBKXXCHROME                 |
| 8     | 042558-000  | 6    | KNOB, ASSY, BURNER                 |
| 9     | 044937-000  | 6    | LENS, COVER, LED, CLEAR            |





| Ref # | Part Number | Qty. | Description                              |
|-------|-------------|------|--|
| 1     | 042117-000  | 1    | TRIM, IS, VGR, 36?                       |
| 2     | 046289-000  | 1    | SHIELD, BRKT, RANGETOP                   |
| 3     | 042404-000  | 2    | COVER, OS, RH/LH UPPER?                  |
| 4     | 046508-000  | 1    | BRACKET, SPRT, BOT                       |
| 5     | 046053-000  | 1    | RANGETOP, PANEL, BOTTOM, VGRT736         |
| 6     | 003860-000  | 11   | NO.10-18 X .500 FASTNR,SCR,HXWH,STL,ZPLT |
| 7     | 014143-000  | 2    | SCR 10-12 A SHLD TRP 1/2 S ZN BLUE       |
| 8     | PD020032    | 6    | SRW-8(A)X3/8PH.WFR HD 7/16DIAXNICL       |
| 9     | 003801-000  | 2    | SHOULDER SCREW, NO.10                    |