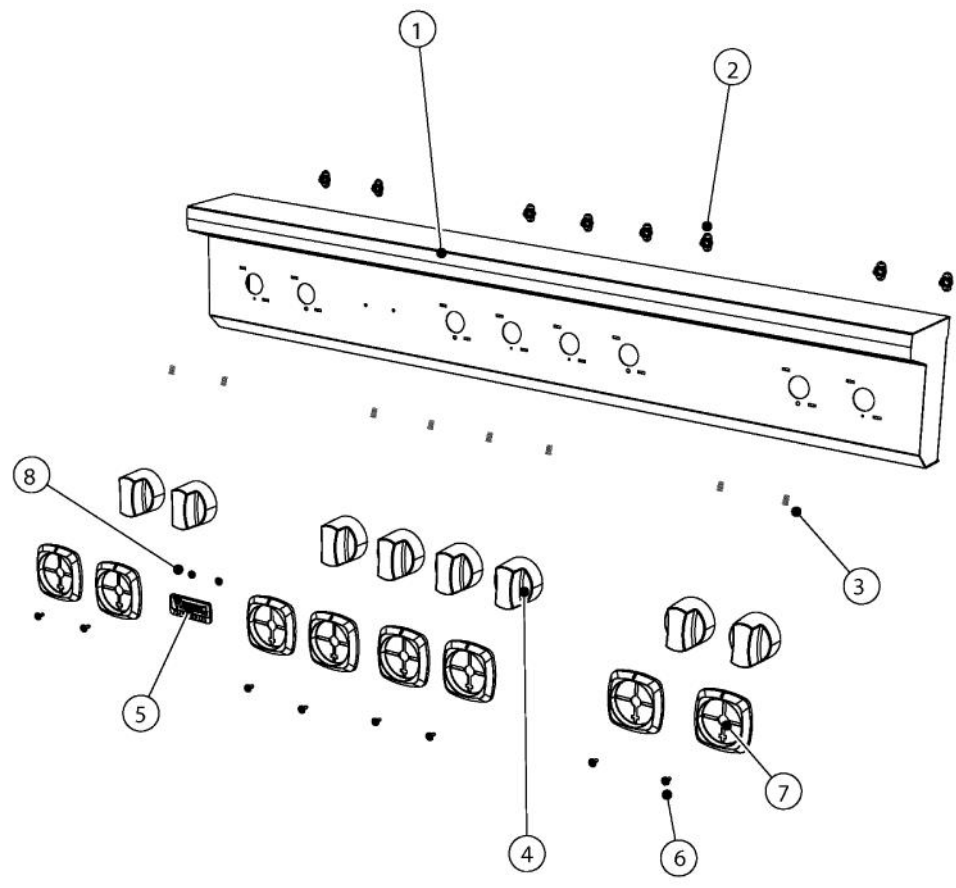
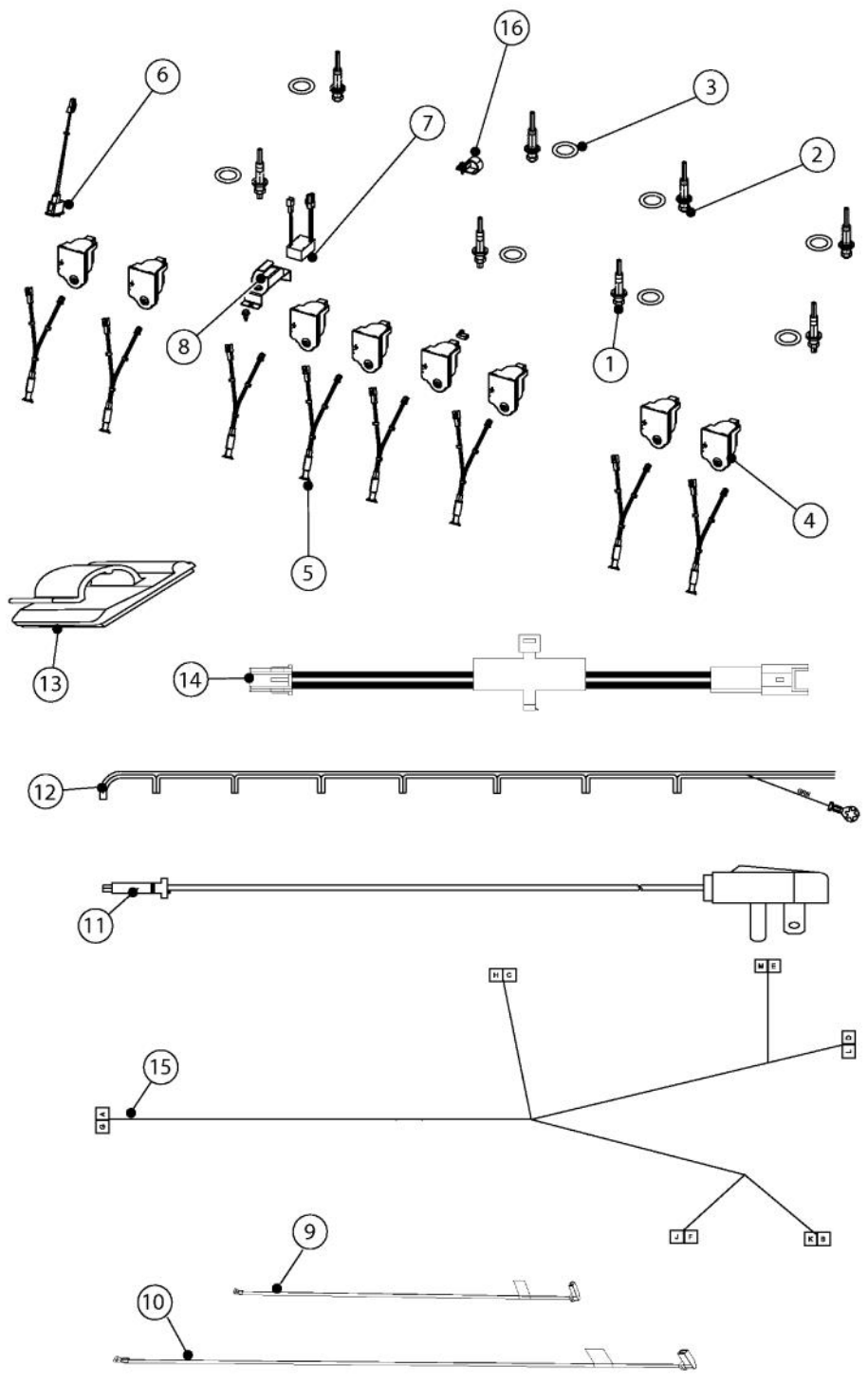


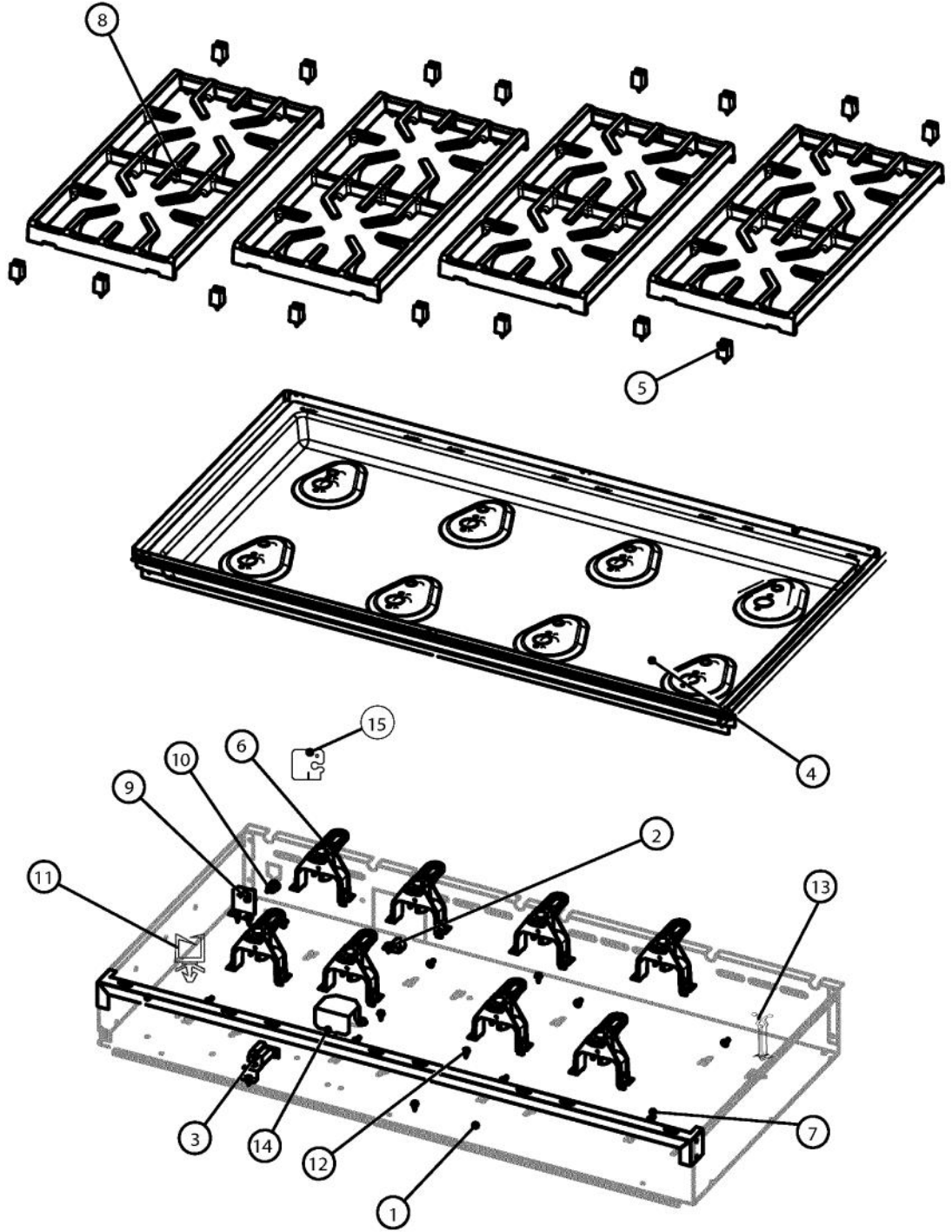
Ref #	Part Number	Qty.	Description
1	046515-000	1	SHIELD, BRKT, RANGETOP
2	046117-000	1	RANGETOP, PANEL, BOTTOM, VGRT748
3	042884-000	2	COVER, OS, RH/LH UPPER?
4	042797-000	1	TRIM, IS, VGR, 48?
5	003860-000	16	NO.10-18 X .500 FASTNR,SCR,HXWH,STL,ZPLT
6	014143-000	2	SCR 10-12 A SHLD TRP 1/2 S ZN BLUE
7	003801-000	2	SHOULDER SCREW, NO.10
8	PD020032	10	SRW-8(A)X3/8PH.WFR HD 7/16DIAXNICL



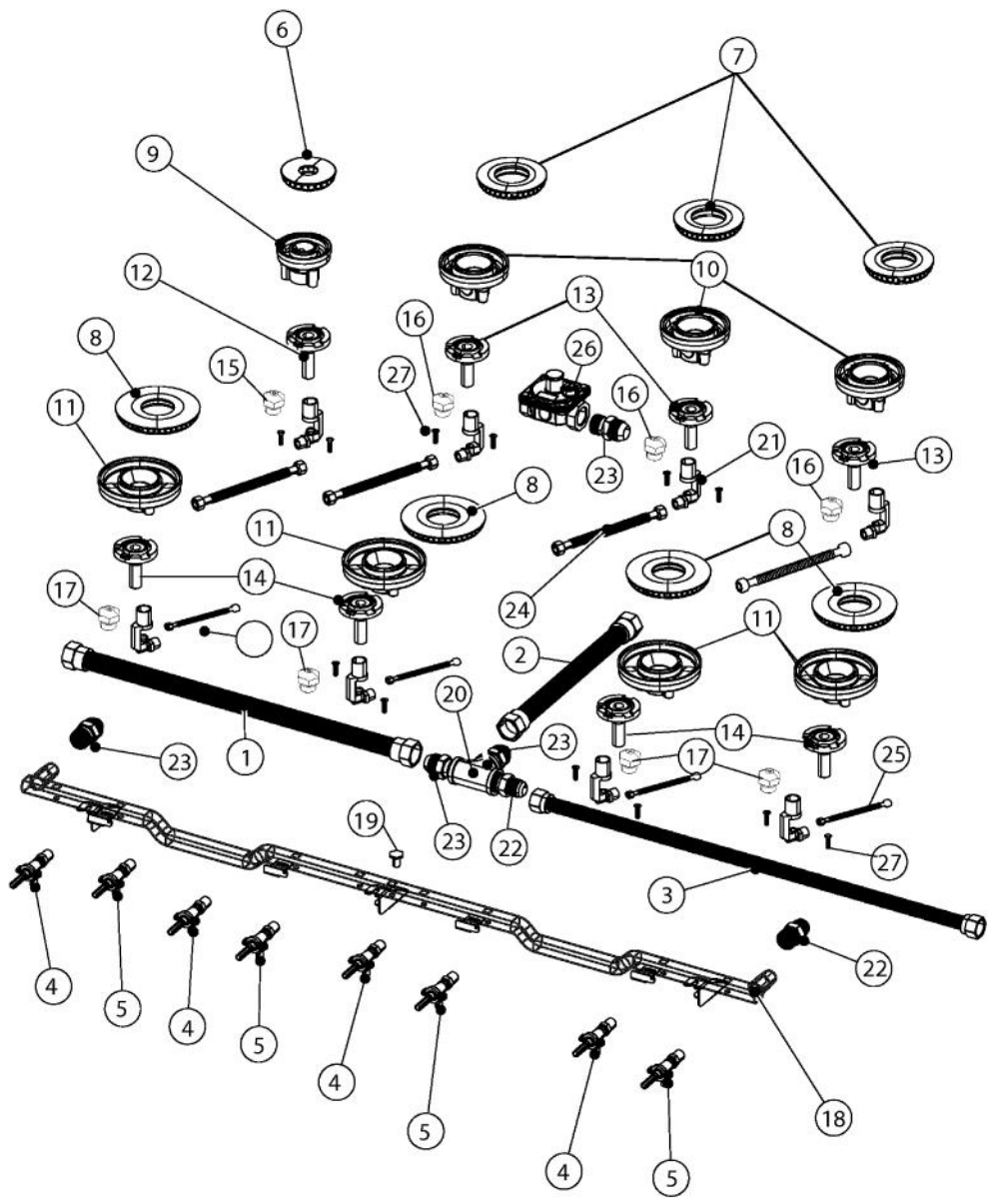
Ref #	Part Number	Qty.	Description
1	046116-2644	1	PANEL, CTRL, VGRT7488B W/GRAPHICS
2	044512-000	8	BEARING, BEZEL, ASM
3	044937-000	8	LENS, COVER, LED, CLEAR
4	042558-000	8	KNOB, ASSY, BURNER
5	PE010142	1	3 LOGO XBKXXCHROME
6	PD020046	8	NO.8 X 1/2 SCREWS
7	048309-000	6	BZL, KNOB
8	PD030006	2	CAPPED WASHER PAL NUT



Ref #	Part Number	Qty.	Description
1	043065-000	4	ELECTRODE, ASM E?
2	043067-000	4	ELECTRODE , ASM, D?
3	045932-000	8	WASHER, ELECTRODE?
4	PA020058	8	IRIS SINGLE SPARK MODULE
5	048809-000	8	LAMP, LED, 12VDC, 2.84K, WHITE, ASM?
6	046283-000	1	SWITCH, LIGHTS, ACCENT W/CONN?
7	045647-000	1	AC/DC CONVERTER, POWERLINE
8	047927-000	1	BRKT, SHELF, POWER SUPPLY
9	028324-000	4	WIRE, ELECTRODE,IRIS,FRONT?
10	028312-000	4	WIRE, ELECTRODE,IRIS,REAR?
11	044747-000	1	CORD, SUPPLY, CORD
12	044194-000	1	HARNESS, IRIS, 8B, GANG CONNECTOR
13	049878-000	7	CORD, CLIP, ADHESIVE
14	048482-000	1	HARNESS, LED, JUMPER
15	045490-000	1	HARN, VGRT736, MAIN
16	PD030109	1	INSULATED CLAMP



Ref #	Part Number	Qty.	Description
1	045914-000	1	BOX, BURNER, ASM, VGRT748
2	PD030109	1	INSULATED CLAMP
3	047927-000	1	BRKT, SHELF, POWER SUPPLY
4	048236-402	1	PAN, BNR, SHIM, ASM, BK?
5	042412-000	16	GRATE, LEG, ASSY
6	044486-000	8	SUPPORT, HLDR, JET
7	PD020068	8	NO.10 - 32 X 1/2TRUSS. PHIL. M.XSSX
8	042545-000	4	GRATE, CAST, 12
9	033668-000	1	BRACKET, DISCONNECT
10	PE070069	1	STRAIGHT-THRU BUSHING
11	045548-000	6	CLIP, ROUTING, WIRE?
12	003860-000	9	NO.10-18 X .500 FASTNR,SCR,HXWH,STL,ZPLT
13	048961-000	12	STANDOFF, TWIST LOCK, TALL
14	048188-000	1	BRACKET, TEE, PIPE
15	049959-000	1	CVR, STRN, RELIEF
NI	049695-000	1	TRAY, PNL, INSULATION, BURNER PAN, 48?
NI	049743-000	1	INSULATION, LINER, BURNER PAN, 48?
NI	049797-000	1	INSULATION, 1/4, ADHESIVE BACKED



Ref #	Part Number	Qty.	Description
1	046399-000	1	TUBING, 3/4 FLEX, SST, 20
2	044310-000	1	TUBING, 3/4 FLEX, SST, 13
3	044832-000	1	TUBING, 1/2 FLEX, SST, 38
4	043134-000	4	VALVE, BNR, 9/16-24 UNEF ASSY - NAT
5	046197-000	4	VALVE, BNR, 9/16-24 UNEF ASSY - NAT
6	043791-000	1	BURNER, HEAD, BRS, C-SIZE
7	043251-000	3	D-BURNER HEAD
8	043159-000	4	E-BURNER HEAD
9	043790-000	1	BURNER, BASE, C-SIZE
10	043249-000	3	BASE, BNR, D
11	043158-000	4	E-BURNER BASE
12	044686-000	1	VENTURI, C NAT, C LP, FLANGE, BNR
NI	051790-000	1	TC-0101-SP 7 SERIES LR SURFACE BURNER KIT (FOR UNITS MANUFACTURED BEFORE 8/5/14)
13	044487-000	3	VENTURI, D NAT, D LP, FLANGE, BNR
14	044485-000	4	VENTURI, E NAT, FLANGE, BNR - NAT
15	044688-000	1	ORIFICE, BNR, STD, 1.22MM - NAT
16	046184-000	3	ORIFICE, BNR, STD, 1.70MM NAT
17	043675-000	4	ORIFICE, BNR, STD, 2.18MM - NAT
18	043260-000	1	MANIFOLD, GAS, 48 ASM
19	002884-000	1	MANIFOLD PLUG
20	044323-000	1	TEE, PIPE, 3/4
21	043208-000	8	HOLDER, JET, BURNER
22	044824-000	2	FITTING, ADAPTOR, 1/2 FLEX TUBING
23	044321-000	4	FITTING, ADAPTOR, 3/4 FLEX TUBING
24	PB020198	4	20 FLEX TUBING
25	PB020191	4	15 FLEX TUBE
26	046119-000	1	PRESSURE REGULATOR - NAT
27	046964-000	16	SCREW, 10-32 X 3/4, CTSK, BLACK