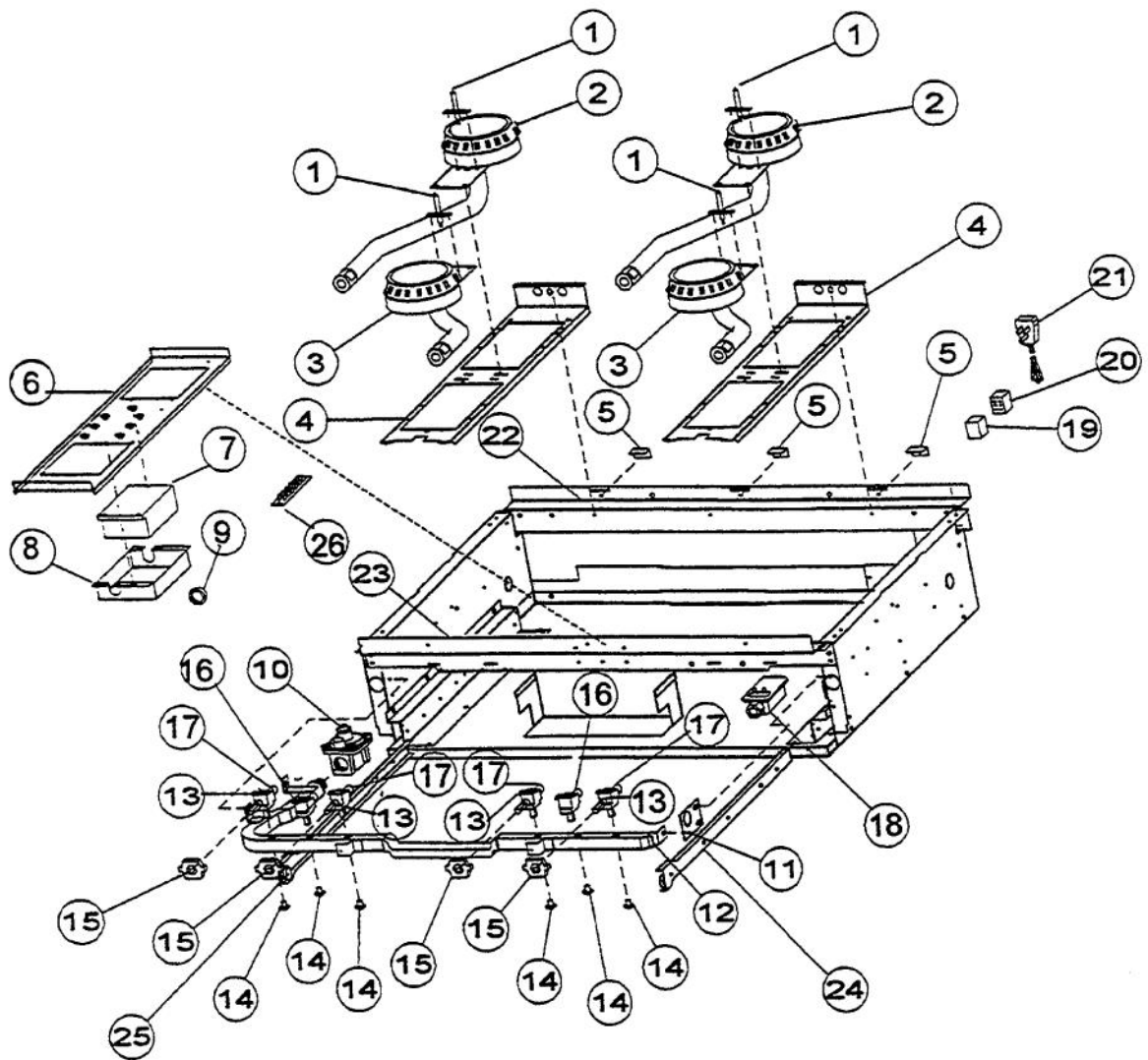
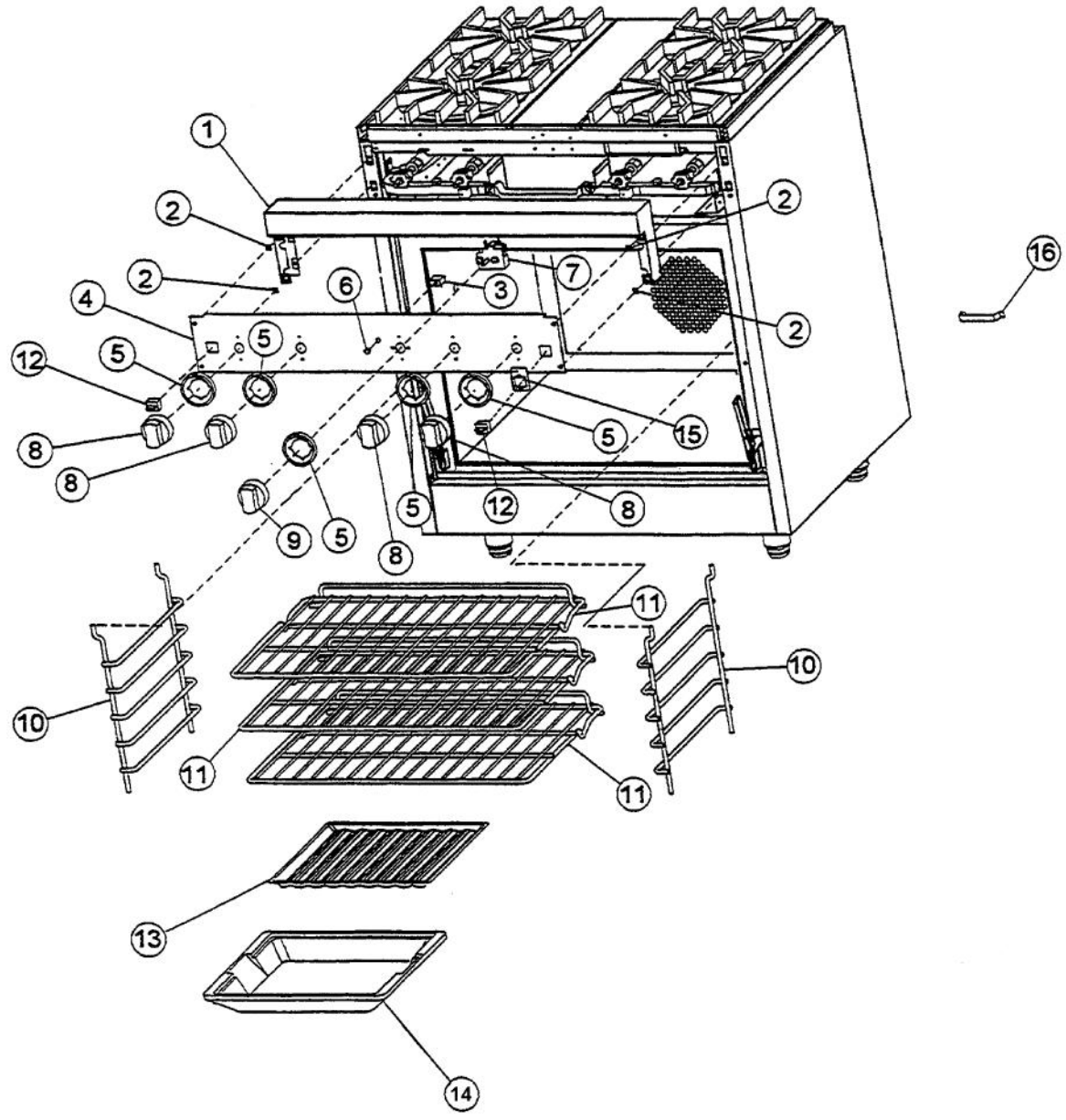


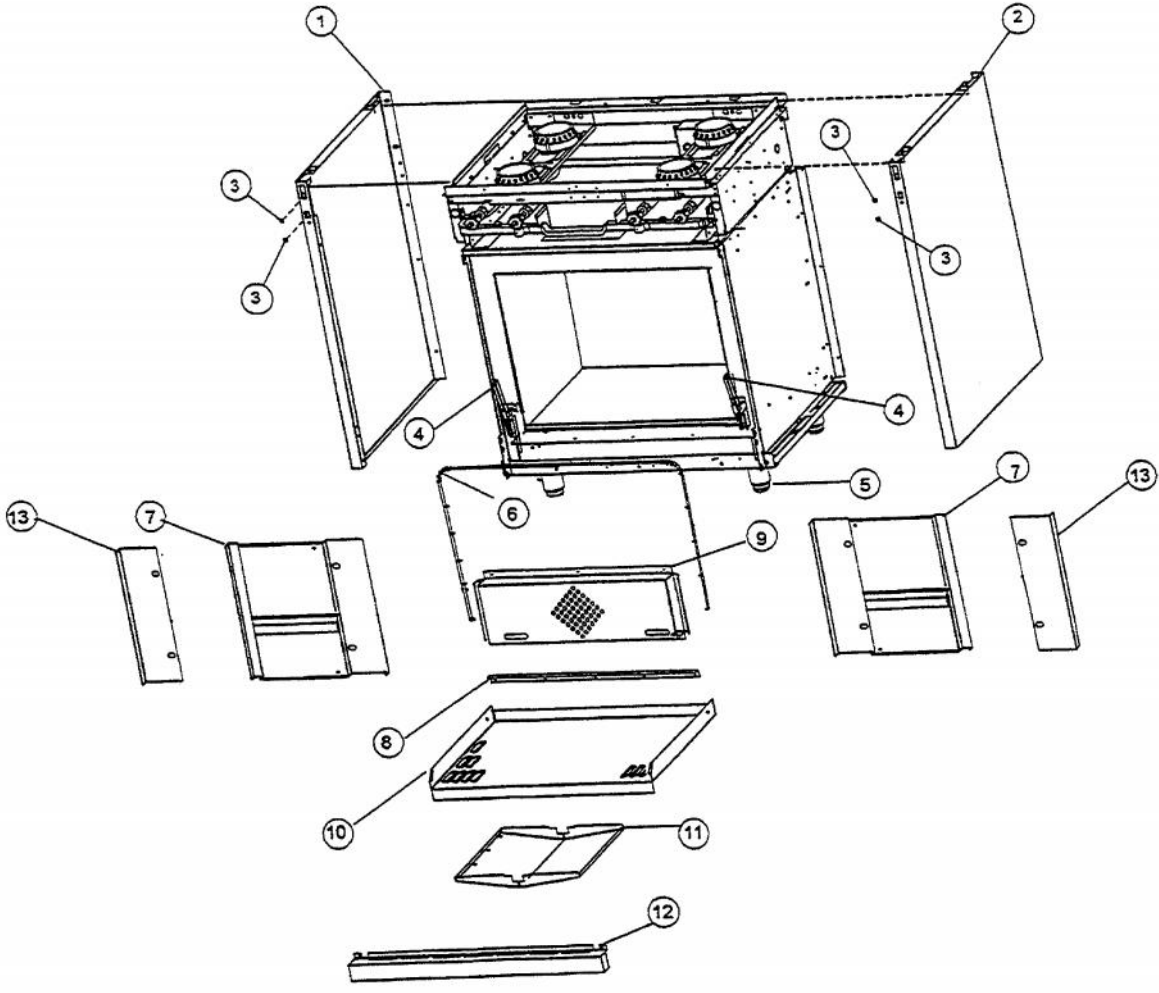
Ref #	Part Number	Qty.	Description
1	PA060037		GRATE BK REPL PA060024 (GEN.NO.2)
	PA060038		GRAY GRATES
2	PA030002AL		BURNER BOWL - AL
	PA030002BK		BURNER BOWL (VGRT) XXBKXX
	PA030002FG		BURNER BOWL - FG
	PA030002PL		BURNER BOWL (VGRT) XXPLXX
	PA030002VB		BURNER BOWL (VGRT) XXVBXX
	PA030002WH		BURNER BOWL (VGRT) XXWHXX
3	PA080015		BURNER CAP-VGRT XBKX
	PA080016		BURNER CAP-VGRT (GRAY-MATT)
4	E9101408		CENTER WORK SPACE
5	PD010017		BALL STUD (VGRT)
6	PD030012		6-32 HEX NUT
7	G50013584AL		GRATE SUPPORT - AL
	G50013584BK		GRATE SUPPORT SERVICE KIT (BK)
	G50013584FG		GRATE SUPPORT - FG
	G50013584PL		GRATE SUPPORT - PL
	G50013584VB		GRATE SUPPORT - VB
	G50013584WH		GRATE SUPPORT SERVICE KIT (WH)
8	B2002345		SIDE TRIM - RH (VGSS)
	C9302345BR		SIDE TRIM - RH (VGSS) XBRX
9	B2002346		SIDE TRIM - LH (VGSS)
	C9302346BR		SIDE TRIM - LH (VGSS) XBRX
10	G3101427		DRIP TRAY ASSY - (VGSC 30) RIVITED
11	B2001840		SUB TO PK010017 - D HNDLE(VGRC605)
	C9301840PVD		DRIP TY HDLE REPL C9301840BR
12	PD010003		10-24 X 1/2 PH.TR.HD.SERD.M.S.
NI	PD030010		NO.10-24 KEPS NUT
13	PD040004		GROMMET BUMPER
14	PD030005		SELF RETAINING NUT



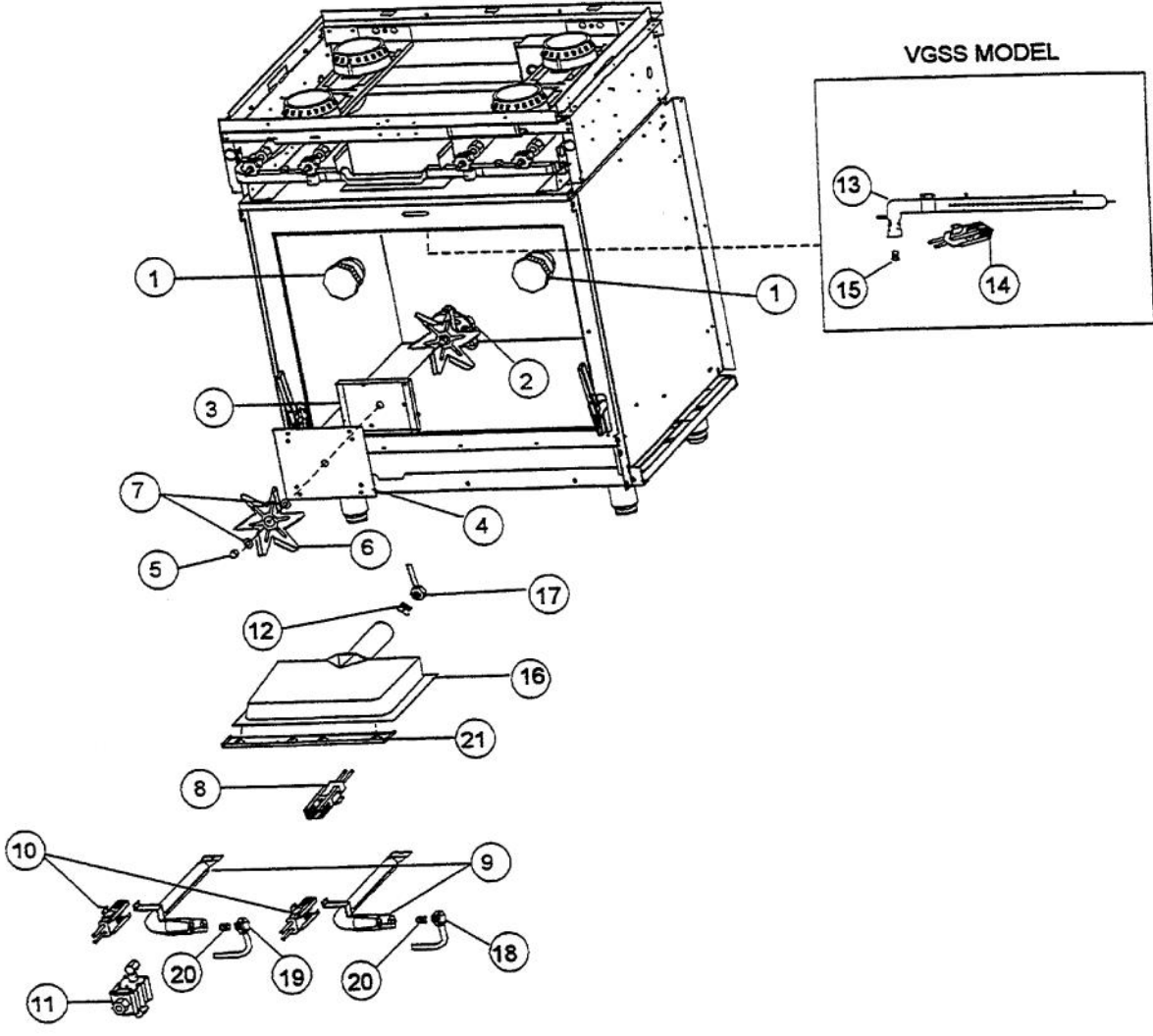
Ref #	Part Number	Qty.	Description
1	PA020014		SPARK IGNITOR
2	PA080036		TOP BURNER REAR REPL PA080008
3	PA080037		TOP BURNER FRONT REPL PA080007
4	A2001112		BURNER SUPT (VGRT)
5	A2001147		GRATE SUPT ANGLE (VGRT)
6	A2001456		SPARK MODULE SUPT (VGSS/SC)
7	PA020041		TYTRONICS 0+4 SPARK MODULE
8	A2001432		SPARK MODULE/TERMINAL COVER
9	PD040005		SNAP BUSHING - 7/8
10	PA070001		PRESSURE REGULATOR (NAT.)
11	A1001138		MANIFOLD BRKT
12	PA050113		MANIFOLD
13	G5008434		VALVE AND KNOB KIT - BK & WH (BEFORE SERIAL NO. R08090218539)
	PA010096		SUB TO 003542-000 - BRASS VALVE (AFTER SERIAL NO. R08090218539)
NI	PA020029		SWITCH SPACER (AFTER SERIAL NO. R08090218539)
14	PD010012		VALVE BOLT 1/4-20 UNC-2B 5/16 M.S.
15	PA020015		SPARK IGNITION SWITCH
16	PB030002		SUB TO 003862-000 - SHUTOFF VALVE
17	PB040034		ORIFICE HOOD-NO.50 (NAT)
	PB040036		ORIFICE HOOD-NO.57 (LP)
18	PB010034		SINGLE THERMAL VALVE - 36 BUILT-IN BEFORE SERIAL NO. R01179700658
	PB010083		SINGLE THERMAL VALVE LH (OVEN) AFTER SERIAL NO. R01179700658
19	PE070070		DISCONNECT BLOCK XALX 770020-1
20	PE070071		DISCONNECT BLOCK XALX 770027-1
21	PE070128		SUPPLY CORD (VGRT/SC/SS/RC)
	PE070068		SUPPLY CORD (BEFORE 2/95)
22	A2002364		REAR BURNER SUPT VGSC/SS30
23	A2001404		FRONT BURNER HOLDER (VGSS)
24	PK000008		DRIP TRAY GUIDE - RH
25	PK000007		DRIP TRAY GUIDE - LH (VGRT)
26	PE050001		TERMINAL BOARD
NI	G4001593		SPARK MODULE-TOP BRNR SPARKER (16)



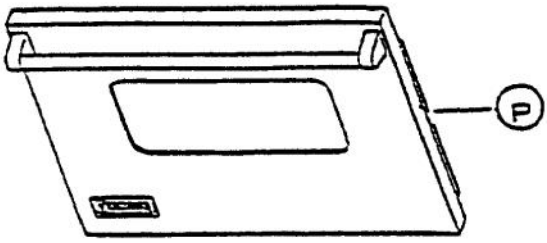
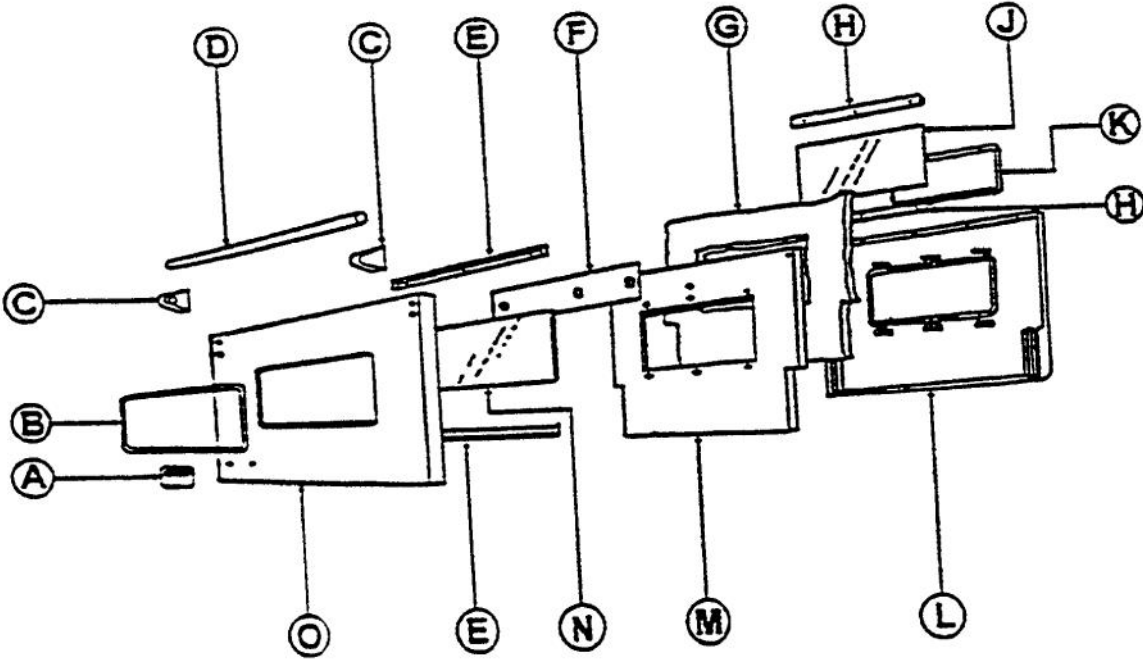
Ref #	Part Number	Qty.	Description
1	G3001406		LANDING LEDGE ASSY
2	PD030050		10-24 CAGE NUT SS
3	PE050024		OVEN IND. LIGHT (LIGHT HOUSING)
4	B9201434		CTRL PAN - (VGSS)
	B9201948		CTRL PAN (VGIS300-4B)
	B9201791		CONTROL PANEL (VGSC)
5	PB010208		BEZEL, CHROME PLATE
	PB010209		BEZEL BRASS
6	PE050023		OVEN IND. LIGHT (LENS & BEZEL)
	PE050015		OVEN INDICATOR LIGHT (NO WIRE)
	PE050006		INDICATOR LIGHT - WITHOUT WIRE
7	PB010036		THERMOSTAT BAKE/BROIL
8	G5008434		VALVE AND KNOB KIT - BK & WH
9	PB010099		T/STAT B/B KNOB BK REPL PB010039BKX
	PB010100		THERMOSTAT BAKE/BROIL KNOB XWHX N/S
	PB010091		T/STAT BK/BRL KNBXBKXREP PB010016
	PB010092		T/STAT BAK/BROL KNBXWHX-SC/RC-(VLOX
10	PB060018		OVEN RACK SUPPORT
11	PB060011		OVEN RACK
12	PE050016		OVEN LIGHT SWITCH - XBKX (WES-GAR)
	PE050017		OVEN LIGHT SWITCH - XWHX (WES-GAR)
13	PB080003		BROILER PAN TRAY (KRA2)
14	PB080002		BROILER PAN
15	PE010081		CONVECTION-LABEL/PLATE (CHROME)
	PE010082		CONVECTION-LABEL/PLATE (XBRX)
16	A2001259		ANTI-TIP DEVICE



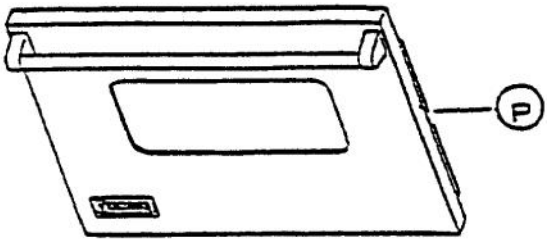
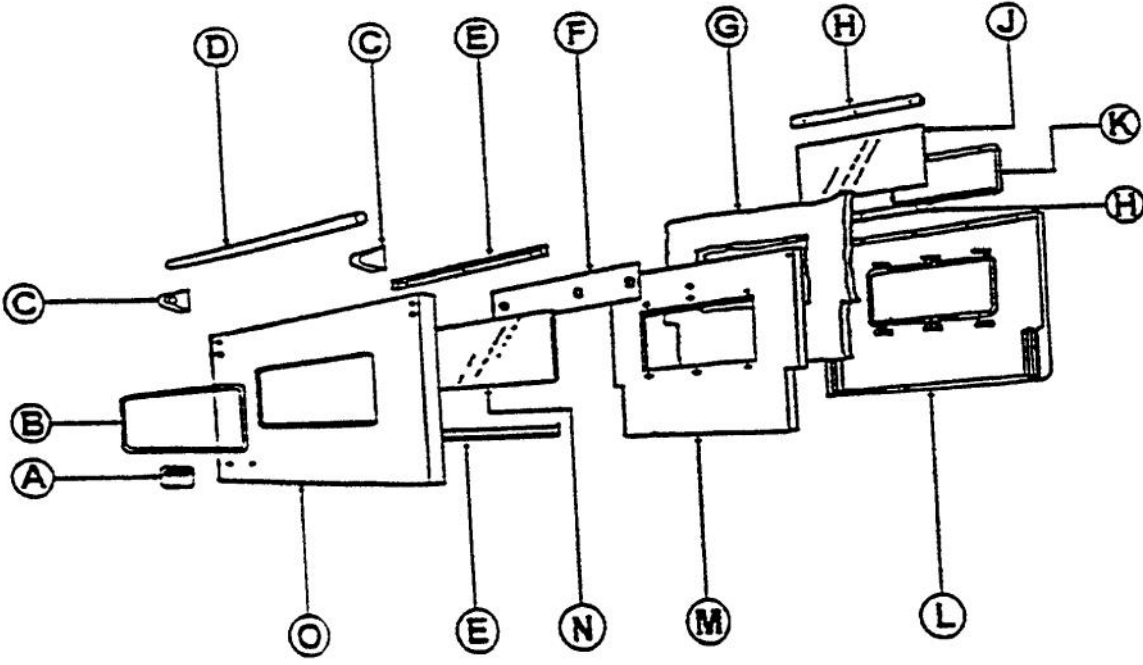
Ref #	Part Number	Qty.	Description
1	B2001922		SIDE PANEL - LH (SS)
	C9001922AL		SUB TO C9002598AL - BODY PNL LH AL
	C9001922BK		SUB TO C9002598BK - BODY PNL LH BK
	C9001922BU		SUB TO C9002598BU - BODY PNL LH BU
	C9001922FG		SUB TO C9002598FG - BODY PNL LH FG
	C9001922PL		SUB TO C9002598PL - BODY PNL LH PL
	C9001922VB		SUB TO C9002598VB - BODY PNL LH VB
	C9001922WH		SIDE PANEL - WH (LH)
2	B2001921		SUB TO B2002597 - RH SIDE PANEL
	C9001921AL		O/S BODY PANEL RH XALX 30
	C9001921BK		SUB TO C9002597BK - BODY PNL RH
	C9001921BU		SIDE PANEL - BU (RH)
	C9001921FG		SUB TO C9002597FG - BODY PNL RHFG 30
	C9001921PL		SUB TO C9002597PL - BODY PNL RH PL 30
	C9001921VB		SUB TO C9002597VB - BODY PNL RH VB 30
	C9001921WH		SIDE PANEL - WH (RH)
3	PD030005		SELF RETAINING NUT
4	PC020007		HINGE ASSY (NO COLOR)
5	PC030017		4 LEG ASSY
6	PB070030		OVEN DR GASKET-30 & 36
7	E9101374		I/S OVEN LINER (VGSC/VGSS)
8	A2000606		OVEN BTM PAN SUPT
9	G9101371		CONVECTION FAN COVER ASSY(VGSC305)
10	G9102273		SUB TO G3204251 - OVEN BTM PAN
11	A2002269		OVEN BTM HEAT SHIELD (VGSO166)
12	B2001815		LOWER ACC PAN - (VGRC605)
	C9001815AL		LOWER ACC PAN - XALX (VGRC605)
	C9001815BK		LOWER ACC PAN - XBKX (VGRC605)
	C9001815BU		LOWER ACC PAN - XBUX (VGRC605)
	C9001815FG		LOWER ACC PAN - XFGX (VGRC605)
	C9001815PL		LOWER ACC PAN - XPLX (VGRC605)
	C9001815VB		LOWER ACC PAN - XVBX (VGRC605)
	C9001815WH		LOWER ACC PAN - XWHX (VGRC605)
13	E9101355		OVEN LINER HINGE COVER (VGSC/VGSS)
NI	G3202341		BACKGUARD FRONT ASSY (VGSC/SS)



Ref #	Part Number	Qty.	Description
1	PE050009		OVEN LIGHT SOCKET - 36 BUILT-IN
2	PE050005		CONVECTION FAN ASSY
3	A2002595		CONVECTION FAN BOX (VDSC)
4	A1002596		CONVECTION FAN COVER (VDSC)
5	PD030035		CONVECTION FAN NUT
6	PE050035		CONVECTION FAN BLADE
7	PD040030		CONVECTION FAN WASHER
8	PB040001		IGNITOR - (ALL RANGES)
9	PB050012		OVEN BURNER REPL PB050009
10	PB040001		IGNITOR - (ALL RANGES)
11	PB010084		DUAL THERMAL BI-MTL GAS CTRL VALVE
12	PB040040		ORIFICE-IR BURNER (VGSC)
	PB040027		IR BUR.SPUD ORF. - NO.56 LP
13	PB050011		BROIL BURNER (VGSS)
14	PB040001		IGNITOR - (ALL RANGES)
15	PB040034		ORIFICE HOOD-NO.50 (NAT)
	PB040036		ORIFICE HOOD-NO.57 (LP)
16	G3001876		IR BURNER ASSY (VGSC/RC) N/S
17	PB020034		SUB TO PB020061 - TUBING-IR BURNER (VGSC)
NI	PD030018		PALNUT - 3/4-16
18	PB020023		BAKE BURNER TUBE RH OVEN
19	PB020022		BAKE BURNER TUBE LH OVEN
20	PB040034		ORIFICE HOOD-NO.50 (NAT)
	PB040036		ORIFICE HOOD-NO.57 (LP)
21	B2001448		IR BROIL SUPT (FRONT)
	B2002261		I/R BURNER SUPPORT - REAR
NI	E9101452		FLAME SPREADER 30 (VGSS)
NI	PB020028		OVEN TUBING (MANIFOLD TO VALVE)
21	B2001448		IR BROIL SUPT (FRONT)
	B2002261		I/R BURNER SUPPORT - REAR
NI	E9101452		FLAME SPREADER 30 (VGSS)
NI	PB020028		OVEN TUBING (MANIFOLD TO VALVE)
NI	A2008467		INSULATION SHIELD



Ref #	Part Number	Qty.	Description
A	PE010016		NAMEPLATE, LOGO, PRO
	PE010017		LOGO (VGSO,VEDO,VGDO,VUD) XWH/CHR
B	PE060007		J-MOLD (1 RADIUS)
C	PE030001		BRACKET, DOOR, HANDLE
D	PE030005		DOOR HANDLE - VGSC30/RC60/RC48RH
E	A2001447		OUTER DOOR GLASS RETAINER
F	A1001381		DOOR HEAT BAFFLE (VGSC/VGSS)
G	PB070034		INSULATION-TRS-10 1 X 20 X 3'
H	A2001480		INNER DOOR GLASS RETAINER
J	PE060008		GLASS REPL PE060009
K	PB070014		DOOR GLASS SEAL STRIP - WINDOW DRS.
L	H9101714		OVEN DR LINER ASSY (VGSC/SS) W/W
	H9101715		OVEN DR LINER ASSY (VGSC/SS) N/W
M	A2001718		DOOR INSUL RETAINER (VGSC/SS) W/W
	A2001719		DOOR INSUL RETAINER (VGSC/SS) N/W
N	PE060009		SUB TO PE060008 - GLASS
O	H3001720		O/S DR PNL XSSX (SC/SS) W/W
	H9001721AL		O/S DOOR PANEL ASSY XALX (SC/SS) W/
	H9001721BK		O/S DOOR PANEL ASSY XBKX (SC/SS) W/
	H9001721BU		O/S DOOR PANEL ASSY XBUX (SC/SS) W/
	H9001721FG		O/S DOOR PANEL ASSY XFGX (SC/SS) W/
	H9001721PL		O/S DOOR PANEL ASSY XPLX (SC/SS) W/
	H9001721VB		O/S DOOR PANEL ASSY XVBX (SC/SS) W/
	H9001721WH		O/S DR PNL ASSY XWH SC/SS W/W
	B2001722		O/S DOOR PANEL XSSX (VGSC/SS) N/W
	C9001723AL		O/S DOOR PANEL XSSX (VGSC/SS) N/W
	C9001723BK		O/S DOOR PANEL XBKX (VGSC/SS) N/W
	C9001723BU		O/S DOOR PANEL XBUX (VGSC/SS) N/W
	C9001723FG		O/S DOOR PANEL XFGX (VGSC/SS) N/W
	C9001723PL		O/S DOOR PANEL XPLX (VGSC/SS) N/W
	C9001723VB		O/S DOOR PANEL XVBX (VGSC/SS) N/W
	C9001723WC		O/S DOOR PANEL W/O WINDOW - WH
P	G3201711AL		OVEN DR ASSY XALX (VGSC/SS) W/W
	G3201711BK		OVEN DR ASSY XBKX (VGSC/SS) W/W
	G3201711BU		OVEN DR ASSY XBUX (VGSC/SS) W/W
	G3201711FG		OVEN DR ASSY XFGX (VGSC/SS) W/W
	G3201711PL		OVEN DR ASSY XPLX (VGSC/SS) W/W
	G3201711SS		OVEN DOOR ASSY (VGSC/SS) W/WDW (SS)
	G3201711VB		OVEN DR ASSY XVBX (VGSC/SS) W/W
	G3201711WH		OVEN DR ASSY XWHX (VGSC/SS) W/W
	G3201713AL		OVEN DR ASSY XALX (VGSC/SS) N/W
	G3201713BK		OVEN DR ASSY XBKX (VGSC/SS) N/W
	G3201713BU		OVEN DR ASSY XBUX VGSC/SS) N/W
	G3201713FG		OVEN DR ASSY XFGX (VGSC/SS) N/W
	G3201713PL		OVEN DR ASSY XPLX (VGSC/SS) N/W
	G3201712SS		DOOR ASSEMBLY W/O WINDOW - SS
	G3201713VB		OVEN DR ASSY XVBX (VGSC/SS) N/W
	G3201713WH		OVEN DR ASSY XWHX (VGSC/SS) N/W



Ref #	Part Number	Qty.	Description
A	PE010016		NAMEPLATE, LOGO, PRO
	PE010017		LOGO (VGSO,VEDO,VGDO,VUD) XWH/CHR
	PE010079		4.5 LOGO/VIKING PROF, BK/BR
	PE010080		4.5 LOGO/VIKING PROF XWH/BR
B	PE060007		J-MOLD (1 RADIUS)
	PE060020		J-MOLD (VGSO OVN DOOR) XBRX
C	PE030001		BRACKET, DOOR, HANDLE
	PE030001PVD		END CAP DOOR HANDLE XBR
D	PE030005		DOOR HANDLE - VGSC30/RC60/RC48RH
	PE030012		DOOR HANDLE - BR
E	A2001447		OUTER DOOR GLASS RETAINER
F	A1001381		DOOR HEAT BAFFLE (VGSC/VGSS)
G	PB070034		INSULATION-TRS-10 1 X 20 X 3'
H	A2001480		INNER DOOR GLASS RETAINER
J	PE060008		GLASS REPL PE060009
K	PB070014		DOOR GLASS SEAL STRIP - WINDOW DRS.
L	H9101928		OVEN DR LINER ASSY (30)W/WD (MC)
	H9101929		OVEN DR LINER ASSY (SS/SC)N/W MC
M	A2001718		DOOR INSUL RETAINER (VGSC/SS) W/W
	A2001719		DOOR INSUL RETAINER (VGSC/SS) N/W
N	PE060018		OVEN GLASS-TEMPERED,SCREENEDXBKX
O	H3001720		O/S DR PNL XSSX (SC/SS) W/W
	H9001721AL		O/S DOOR PANEL ASSY XALX (SC/SS) W/
	H9001721BK		O/S DOOR PANEL ASSY XBKX (SC/SS) W/
	H9001721BU		O/S DOOR PANEL ASSY XBUX (SC/SS) W/
	H9001721FG		O/S DOOR PANEL ASSY XFGX (SC/SS) W/
	H9001721PL		O/S DOOR PANEL ASSY XPLX (SC/SS) W/
	H9001721VB		O/S DOOR PANEL ASSY XVBX (SC/SS) W/
	H9001721WH		O/S DR PNL ASSY XWH SC/SS W/W
	B2001722		O/S DOOR PANEL XSSX (VGSC/SS) N/W
	H9001723AL		O/S DOOR PANEL W/O WINDOW - AL
	H9001723BK		O/S DOOR PANEL W/O WINDOW - BK
	H9001723BU		O/S DOOR PANEL W/O WINDOW - BU
	H9001723FG		O/S DOOR PANEL W/O WINDOW - FG
	H9001723PL		O/S DOOR PANEL W/O WINDOW - PL
	H9001723VB		O/S DOOR PANEL W/O WINDOW - VB
	H9001723WH		O/S DOOR PANEL W/O WINDOW - WH
P	G3201925AL		DOOR ASSYXALX
	G3201925ALBR		DOOR ASSYXALX
	G3201925BK		DOOR ASSYXBKX
	G3201925BKBR		DOOR ASSYXBKX
	G3201925BU		DOOR ASSYXBUX
	G3201925BUBR		DOOR ASSYXBUX
	G3201925FG		DOOR ASSY XFGX (SS/SC) W/W
	G3201925FGBR		DOOR ASSYXFGX
	G3201925PL		DOOR ASSYXPLX
	G3201925PLBR		DOOR ASSYXPLX
	G3201925SS		DOOR ASSY XSSX (SS/SC) W/W
	G3201925SSBR		DOOR ASSY XSSXXBRX (SS/SC) W/W
	G3201925VB		DOOR ASSYXVBX (SS/SC) W/W
	G3201925VBBR		DOOR ASSYXVBX
	G3201925WH		DOOR ASSYXWHX
	G3201925WHBR		DOOR ASSYXWHX
NI	G3201927AL		DOOR ASSYXALX (SS/SC) N/W
	G3201927ALBR		DOOR ASSYXALX
	G3201927BK		DOOR ASSYXBKX (SS/SC) N/W
	G3201927BKBR		DOOR ASSYXBKX
	G3201927BU		DOOR ASSYXBUX (SS/SC) N/W
	G3201927BUBR		DOOR ASSYXBUX
	G3201927FG		DOOR ASSYXFGX (SS/SC) N/W

Ref #	Part Number	Qty.	Description
	G3201927FG		DOOR ASSYXFGX (SS/SC) N/W
	G3201927FGBR		DOOR ASSYXFGX
	G3201927PL		DOOR ASSYXPLX (SS/SC) N/W
	G3201927PLBR		DOOR ASSYXPLX
	G3201927SS		DOOR ASSYXSSX (SS/SC) N/W
	G3201927SSBR		DOOR ASSY XSSXBRX (SS/SC) N/W
	G3201927VB		DOOR ASSY XVBX (SS/SC) N/W
	G3201927VBBR		DOOR ASSYXVBX
	G3201927WH		DOOR ASSYXWHX (SS/SC) N/W
	G3201927WHBR		DOOR ASSYXWHX