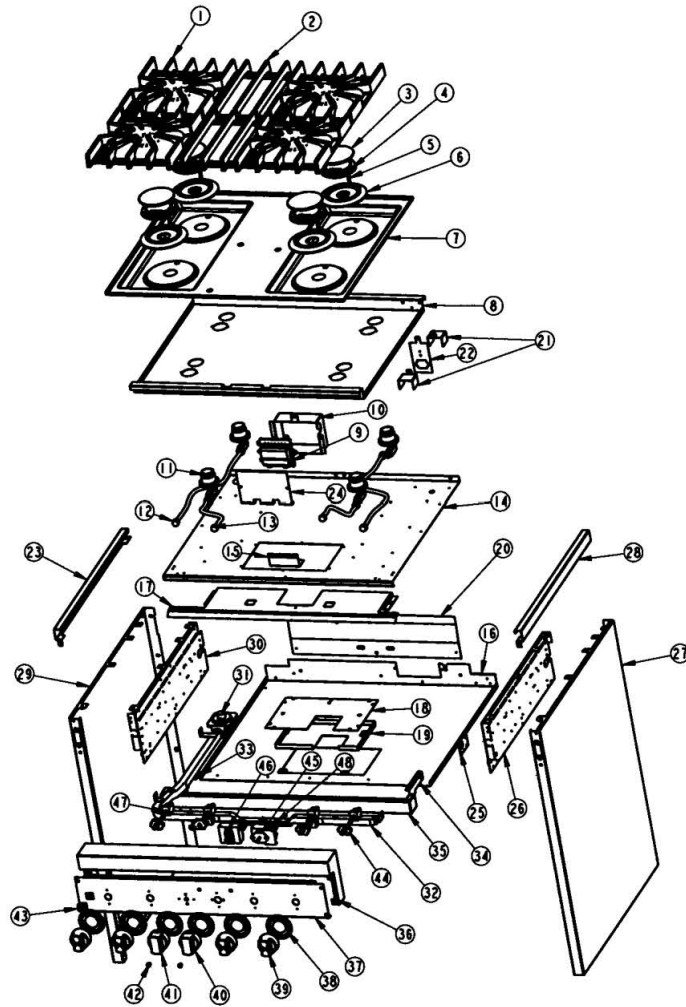


**VGSC307**

BURNER BOX ASSY .....	1
DOOR ASSY .....	2
OVEN CAVITY ASSY .....	3
OVEN REAR ASSY .....	4
WIRING .....	5
Appendix A:Pages Index .....	A
Appendix B:Parts Index .....	B

## BURNER BOX ASSY





Item	Part No.	Name	Qty	Uom	NOTES
1	PA060054	Burner Grate - BK		EA	
Not Shown	PA060062	Burner Grate - GR		EA	
2	PA060060	SEALED COOKTOP CENTER GRATE *BK*		EA	NO LONGER AVAILABLE
Not Shown	PA060061	SEALED COOKTOP CENTER GRATE GRAY		EA	
3	066958-000	D BURNER CAP *MATTE BLACK*		EA	
Not Shown	PA080086	Burner Cap - GR		EA	
4	PB050063	Burner Head		EA	
Not Shown	NOTE	(BEFORE 12/19/07)		EA	
4	018200-000	ADJUSTED SEALED BURNER HEAD		EA	
Not Shown	NOTE	(After 12/18/07)		EA	
5	PB050081	BURNER BASE ASM		EA	
6	PB050081	BURNER BASE ASM		EA	
Not Shown	NOTE	(BEFORE 12/19/07)		EA	
6	003322-040	SEALED BURNER BASE, TURNED FINISH		EA	
Not Shown	NOTE	(After 12/18/07)		EA	
NI	PA010100	Order 072542-000 kit, see 2019-02P parts bulletin		EA	See Parts Bulletin 2019-02P
<p>Comments for Part Num. PA010100</p> <p>gboltz@VikingRange.com on Jun 3, 2019</p> <p>See 2019-02P Parts Bulletin</p>					
7	E9107413AL	MAIN TOP ASSEMBLY - AL		EA	Not available online / Call for pricing and availability
Not Shown	E9107413BK	MAIN TOP 30" *BK*		EA	
Not Shown	E9107413BT	MAIN TOP ASSEMBLY - BT		EA	Not available online / Call for pricing and availability



Item	Part No.	Name	Qty	Uom	NOTES
Not Shown	E9107413CB	MAIN TOP ASSEMBLY - CB		EA	Not available online / Call for pricing and availability
Not Shown	E9107413EP	MAIN TOP ASSEMBLY - EP		EA	Not available online / Call for pricing and availability
Not Shown	E9107413FG	MAIN TOP ASSEMBLY - FG		EA	Not available online / Call for pricing and availability
Not Shown	E9107413GG	MAIN TOP ASSEMBLY - GG		EA	Not available online / Call for pricing and availability
Not Shown	E9107413LE	MAIN TOP ASSEMBLY - LE		EA	Not available online / Call for pricing and availability
Not Shown	E9107413MJ	MAIN TOP ASSEMBLY - MJ		EA	Not available online / Call for pricing and availability
Not Shown	E9107413SG	MAIN TOP 30" *SG*		EA	NO LONGER AVAILABLE, Not available online / Call for pricing and availability
Not Shown	E9107413VB	MAIN TOP ASSEMBLY - VB		EA	Not available online / Call for pricing and availability
Not Shown	E9107413WH	MAIN TOP 30" *WH*		EA	
8	A2007852	BURNER SUPPORTS		EA	
9	PA020047	INVENSYS 0+4 RE-IGNITION SPARK MODULE		EA	
10	A20012961	SPARK MODULE BOX		EA	NO LONGER AVAILABLE, Not available online / Call for pricing and availability
11	PA080075	Order 072542-000 Kit, see 2019-02P parts bulletin		EA	See Parts Bulletin 2019-02P



Item	Part No.	Name	Qty	Uom	NOTES
Comments for Part Num. PA080075					
gboltz@VikingRange.com on Jun 3, 2019					
See Parts Bulletin 2019-02P					
Not Shown	NOTE	(BEFORE 12/19/07)		EA	
11	066197-042	15000 BTU NAT JETHOLDER		EA	
Not Shown	NOTE	(After 12/18/07)		EA	
11	001394-043	13500 BTU LP JETHOLDER		EA	
Not Shown	NOTE	(After 12/18/07)		EA	
12	PB020193	16" FLEX TUBING W/CONNECTORS		EA	
13	PB020192	10" FLEX TUBING W/CONNECTORS		EA	
14	A2001401	INSULATION PANEL		EA	NO LONGER AVAILABLE, Not available online / Call for pricing and availability
15	A2006731	AIR DISTRIBUTOR PLATE		EA	Not available online / Call for pricing and availability
16	A2002496	BURNER BOX BTM (VDSC30)		EA	NO LONGER AVAILABLE, Not available online / Call for pricing and availability
17	L2006736	HEAT SINK PLATE		EA	NO LONGER AVAILABLE, Not available online / Call for pricing and availability
18	A1006737	DOOR LOCK ACCESS PANEL-SEALED		EA	NO LONGER AVAILABLE, Not available online / Call for pricing and availability
19	G3006739	DOOR LOCK INSULATION BOX WELD ASSY		EA	NO LONGER AVAILABLE, Not available online / Call for pricing and availability
20	A2004461	HEAT SHIELD (VGSC306)		EA	NO LONGER AVAILABLE



Item	Part No.	Name	Qty	Uom	NOTES
21	A20012916	TERM. BLOCK BRACKET COVER		EA	NO LONGER AVAILABLE, Not available online / Call for pricing and availability
22	A10012915	TERM. BLOCK BRACKET VGSC307		EA	NO LONGER AVAILABLE, Not available online / Call for pricing and availability
23	B2007868	IC SEALED SIDE TRIM		EA	
Not Shown	C9307868BR	IC SEALED SIDE TRIM *BR*		EA	
24	A20012962	SPARK MODULE BOX, COVER		EA	NO LONGER AVAILABLE, Not available online / Call for pricing and availability
25	A1001138	MANIFOLD BRKT		EA	NO LONGER AVAILABLE, Not available online / Call for pricing and availability
26	A2006747	Burner Box Side - RH		EA	
27	B20010179	O/S BODY PANEL - RH		EA	
Not Shown	C90010179AL	SIDE PANEL RH *AL*		EA	NO LONGER AVAILABLE, Not available online / Call for pricing and availability
Not Shown	C90010179BK	SIDE PANEL RH *BK*		EA	NO LONGER AVAILABLE
Not Shown	C90010179BT	SIDE PANEL RH *BT*		EA	NO LONGER AVAILABLE, Not available online / Call for pricing and availability
Not Shown	C90010179BU	SIDE PANEL RH *BU*		EA	Not available online / Call for pricing and availability
Not Shown	C90010179CB	SIDE PANEL RH *CB*		EA	NO LONGER AVAILABLE
Not Shown	C90010179EP	SIDE PANEL RH *EP*		EA	NO LONGER AVAILABLE, Not available online / Call for pricing and availability

Item	Part No.	Name	Qty	Uom	NOTES
Not Shown	C90010179FG	SIDE PANEL RH *FG*		EA	NO LONGER AVAILABLE, Not available online / Call for pricing and availability
Not Shown	C90010179GG	SIDE PANEL RH *GG*		EA	NO LONGER AVAILABLE, Not available online / Call for pricing and availability
Not Shown	C90010179LE	SIDE PANEL RH *LE*		EA	NO LONGER AVAILABLE, Not available online / Call for pricing and availability
Not Shown	C90010179MJ	SIDE PANEL RH *MJ*		EA	
Not Shown	C90010179SG	SIDE PANEL RH *SG*		EA	NO LONGER AVAILABLE, Not available online / Call for pricing and availability
Not Shown	C90010179VB	SIDE PANEL RH *VB*		EA	NO LONGER AVAILABLE, Not available online / Call for pricing and availability
Not Shown	C90010179WH	SIDE PANEL RH *WH*		EA	
28	B2007868	IC SEALED SIDE TRIM		EA	
Not Shown	C9307868BR	IC SEALED SIDE TRIM *BR*		EA	
29	B20010180	O/S BODY PANEL - LH		EA	
Not Shown	C90010180AL	SIDE PANEL LH *AL*		EA	NO LONGER AVAILABLE, Not available online / Call for pricing and availability
Not Shown	C90010180BK	SIDE PANEL LH *BK*		EA	Not available online / Call for pricing and availability
Not Shown	C90010180BT	SIDE PANEL LH *BT*		EA	NO LONGER AVAILABLE, Not available online / Call for pricing and availability
Not Shown	C90010180BU	SIDE PANEL LH *BU*		EA	
Not Shown	C90010180CB	SIDE PANEL LH *CB*		EA	NO LONGER AVAILABLE



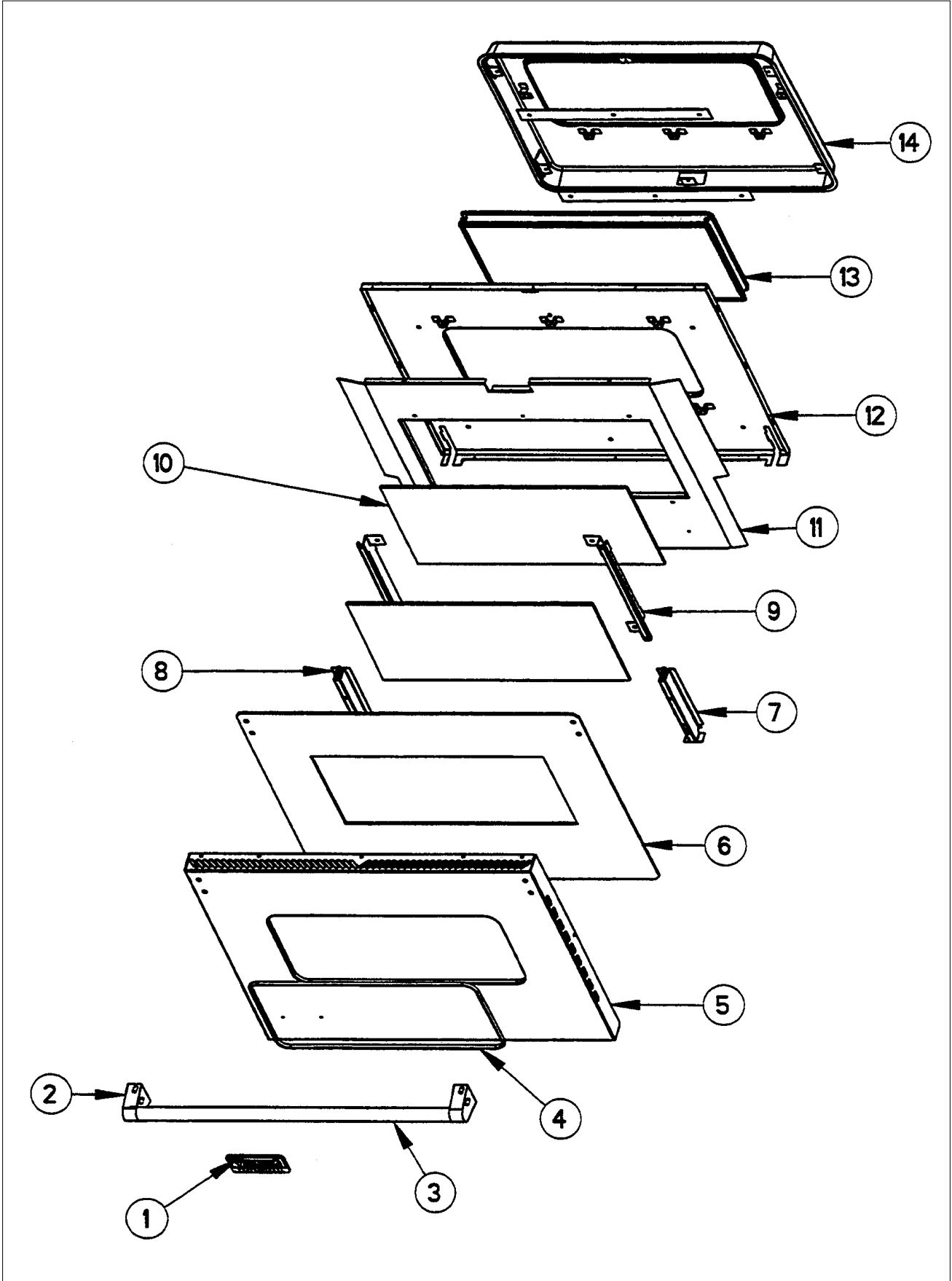
Item	Part No.	Name	Qty	Uom	NOTES
Not Shown	C90010180EP	SIDE PANEL LH *EP*		EA	NO LONGER AVAILABLE, Not available online / Call for pricing and availability
Not Shown	C90010180FG	SIDE PANEL LH *FG*		EA	NO LONGER AVAILABLE, Not available online / Call for pricing and availability
Not Shown	C90010180GG	SIDE PANEL LH *GG*		EA	NO LONGER AVAILABLE, Not available online / Call for pricing and availability
Not Shown	C90010180LE	SIDE PANEL LH *LE*		EA	NO LONGER AVAILABLE, Not available online / Call for pricing and availability
Not Shown	C90010180MJ	SIDE PANEL LH *MJ*		EA	
Not Shown	C90010180SG	SIDE PANEL LH *SG*		EA	NO LONGER AVAILABLE, Not available online / Call for pricing and availability
Not Shown	C90010180VB	SIDE PANEL LH *VB*		EA	NO LONGER AVAILABLE, Not available online / Call for pricing and availability
Not Shown	C90010180WH	SIDE PANEL LH *WH*		EA	
30	A2006748	Burner Box Side - LH		EA	
31	PA070003	PRESSURE REGULATOR (NAT.)		EA	
32	002156-000	30" UNIVERSAL MANIFOLD		EA	
33	A20011466	FALSE DRIP TRAY HANDLE BRKT. LH		EA	NO LONGER AVAILABLE
34	A20011467	FALSE DRIP TRAY HANDLE BRKT. RH		EA	NO LONGER AVAILABLE
35	G50014406	30" FALSE TRAY HANDLE SVC. KIT (SS)		EA	NO LONGER AVAILABLE
Not Shown	G50014407	30" FALSE TRAY HANDLE SVC. KIT (BR)		EA	NO LONGER AVAILABLE
36	G3006766	SEALED LANDING LEDGE ASSY		EA	NO LONGER AVAILABLE



Item	Part No.	Name	Qty	Uom	NOTES
37	B9204483	CTRL PAN (VGSC306) SILK SCRN		EA	
38	050172-000	BEZEL, KNOB		EA	
Not Shown	PB010209	Bezel - BR		EA	
39	PB010206	TOP BURNER KNOB BK		EA	
Not Shown	PB010207	TOP BURNER KNOB WH		EA	Not available online / Call for pricing and availability
NI	PA020029	Switch Spacer		EA	
40	PB010187	THERMOSTAT KNOB SELF CLEAN *BK*		EA	
Not Shown	PB010188	THERMOSTAT KNOB SELF CLEAN *WH*		EA	NO LONGER AVAILABLE
41	PA010080	SELECTOR KNOB SELF CLEAN *BK*		EA	
Not Shown	PA010081	SELECTOR KNOB SELF CLEAN *WH*		EA	
42	PE050023	OVEN IND. LIGHT (LENS & BEZEL)		EA	NO LONGER AVAILABLE
43	077728-000	TOGGLE SWITCH KIT, See Bulletin 2021-01P		EA	
<p>Comments for Part Num. 077728-000</p> <p>gboltz@VikingRange.com on May 26, 2021</p> <p>This switch is visibly different than original, all similar switches should be replaced to match if desired.</p>					
Not Shown	PE050017	OVEN LIGHT SWITCH - *WH* (WES-GAR)		EA	NO LONGER AVAILABLE
44	PA020015	Spark Ignition Switch		EA	
Not Shown	NOTE	(Before 2/23/05)		EA	
Not Shown	PA020045	IGNITOR SWITCH		EA	
Not Shown	NOTE	(After 2/23/05)		EA	
45	PB010186	EK39 THERMOSTAT (SELF-CLEAN)		EA	
46	PJ030015	6 POS. SELECTOR SWITCH		EA	NO LONGER AVAILABLE
47	G50012679	Top Burner Valve Kit		EA	

Item	Part No.	Name	Qty	Uom	NOTES
Not Shown	NOTE	(BEFORE 02/23/05)		EA	
Not Shown	003517-000	PA010158 VALVE AND BOLT KIT		EA	
Not Shown	NOTE	(After 02/23/05)		EA	
NI	PB040194	Orifice - Nat.		EA	
NI	PB040217	L.P. ORIFICE		EA	
48	PE050024	OVEN IND. LIGHT (LIGHT HOUSING)		EA	
<p>Comments for Part Num. PE050024</p> <p>haarnink@vikingrange.com on Jan 14, 2019                      please note that the indicator light is now part 043135-000 but needs the Jumper harness 051443-000. and second option there are units in the field with a 230V indicator light part number 036566-000.</p> <p>please check this for all "E" module ranges/Tops                      ksturm@vikingrange.com on Apr 22, 2019                      please note that the indicator light is now part 043135-000 but needs the Jumper harness 051443-000. and second option there are units in the field with a 230V indicator light part number 036566-000.</p> <p>please check this for all "E" module ranges/Tops</p>					
NI	003862-000	SHUTOFF VALVE (PB030002 VALVE AND BOLT KIT)		EA	
Not Shown	NOTE	(Before 2/23/05)		EA	
Not Shown	007147-000	SHUT OFF VALVE		EA	
Not Shown	NOTE	(After 2/23/05)		EA	
NI	PJ030006	SWITCH (COOLING FAN)		EA	

DOOR ASSY





Item	Part No.	Name	Qty	Uom	NOTES
NI	G3202172AL	DOOR SUB-ASSY-*AL* (VDSC30)	1	EA	NO LONGER AVAILABLE, Not available online / Call for pricing and availability
Not Shown	G3202172ALBR	DOOR SUB-ASSY-*AL**BR* VDSC30	1	EA	NO LONGER AVAILABLE, Not available online / Call for pricing and availability
Not Shown	G3202172BK	DOOR SUB-ASSY-*BK* (VDSC30)	1	EA	NO LONGER AVAILABLE
Not Shown	G3202172BKBR	DOOR SUB-ASSY-*BK**BR* (VDSC30)	1	EA	NO LONGER AVAILABLE, Not available online / Call for pricing and availability
Not Shown	G3202172BT	DOOR SUB-ASSY-*BT* (VDSC30)	1	EA	NO LONGER AVAILABLE, Not available online / Call for pricing and availability
Not Shown	G3202172BTBR	COMPLETE DOOR ASSY. - BTBR	1	EA	Not available online / Call for pricing and availability
Not Shown	G3202172BU	DOOR SUB-ASSY-*BU* (VDSC30)	1	EA	NO LONGER AVAILABLE, Not available online / Call for pricing and availability
Not Shown	G3202172BUBR	DOOR SUB-ASSY-*BU**BR* (VDSC30)	1	EA	NO LONGER AVAILABLE, Not available online / Call for pricing and availability
Not Shown	G3202172CB	DOOR SUB-ASSY-*CB* (VDSC30)	1	EA	NO LONGER AVAILABLE, Not available online / Call for pricing and availability
Not Shown	G3202172CBBR	COMPLETE DOOR ASSY. - CBBR	1	EA	Not available online / Call for pricing and availability
Not Shown	G3202172EP	DOOR SUB-ASSY- *EP*(VDSC30)	1	EA	NO LONGER AVAILABLE
Not Shown	G3202172EPBR	COMPLETE DOOR ASSY. - EPBR	1	EA	Not available online / Call for pricing and availability

Item	Part No.	Name	Qty	Uom	NOTES
Not Shown	G3202172FG	DOOR SUB-ASSY-*FG* (VDSC30)	1	EA	NO LONGER AVAILABLE, Not available online / Call for pricing and availability
Not Shown	G3202172FGBR	DOOR SUB-ASSY-*FG**BR* (VDSC30)	1	EA	NO LONGER AVAILABLE, Not available online / Call for pricing and availability
Not Shown	G3202172GG	DOOR SUB-ASSY-*GG* (VDSC30)	1	EA	NO LONGER AVAILABLE, Not available online / Call for pricing and availability
Not Shown	G3202172GGBR	COMPLETE DOOR ASSY. - GGBR	1	EA	Not available online / Call for pricing and availability
Not Shown	G3202172LE	DOOR SUB-ASSY-LE* (VDSC30)	1	EA	NO LONGER AVAILABLE, Not available online / Call for pricing and availability
Not Shown	G3202172LEBR	COMPLETE DOOR ASSY. - LEBR	1	EA	Not available online / Call for pricing and availability
Not Shown	G3202172MJ	DOOR SUB-ASSY-*MJ* (VDSC30)	1	EA	NO LONGER AVAILABLE, Not available online / Call for pricing and availability
Not Shown	G3202172MJBR	COMPLETE DOOR ASSY. - MJBR	1	EA	Not available online / Call for pricing and availability
Not Shown	G3202172SG	DOOR SUB-ASSY-*SG* (VDSC30)	1	EA	NO LONGER AVAILABLE
Not Shown	G3202172SGBR	COMPLETE DOOR ASSY. - SGBR	1	EA	Not available online / Call for pricing and availability
Not Shown	G3202172SS	DOOR SUB-ASSY-*SS* (VDSC30)	1	EA	NO LONGER AVAILABLE
Not Shown	G3202172SSBR	COMPLETE DOOR ASSY. - SSBR	1	EA	Not available online / Call for pricing and availability

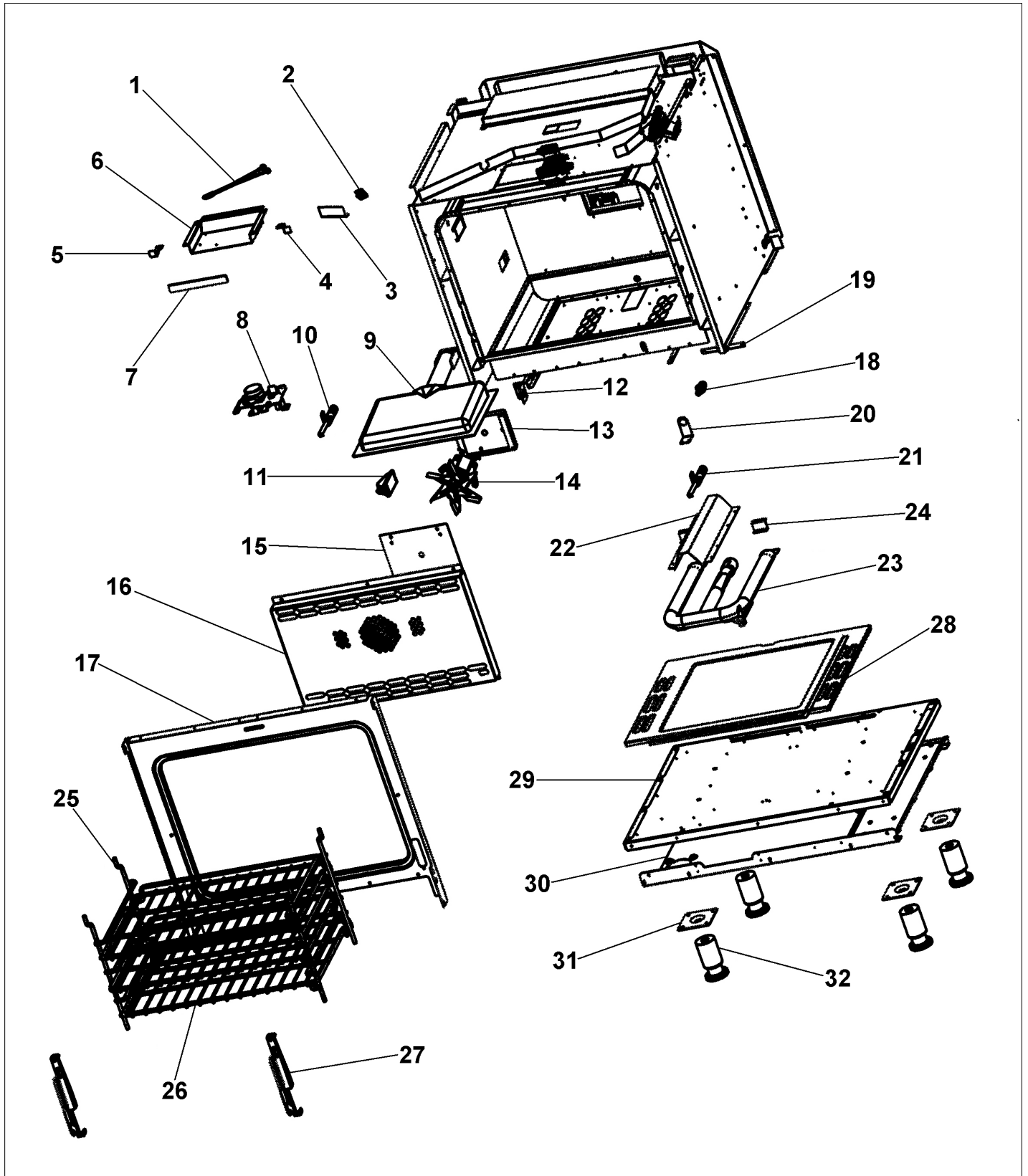
Item	Part No.	Name	Qty	Uom	NOTES
Not Shown	G3202172VB	DOOR SUB-ASSY-*VB* (VDSC30)	1	EA	NO LONGER AVAILABLE, Not available online / Call for pricing and availability
Not Shown	G3202172VBBR	DOOR SUB-ASSY-*VB**BR* (VDSC30)	1	EA	NO LONGER AVAILABLE, Not available online / Call for pricing and availability
Not Shown	G3202172WH	DOOR SUB-ASSY-*WH* (VDSC30)	1	EA	
Not Shown	G3202172WHBR	DOOR SUB-ASSY-*WH**BR* (VDSC30)	1	EA	NO LONGER AVAILABLE, Not available online / Call for pricing and availability
1	PE010016	LOGO (ALL RANGES) *BK/CHR 307997W	1	EA	
Not Shown	PE010079	4.5" LOGO/VIKING PROF *BK/BR	1	EA	
Not Shown	PE010017	LOGO (VGSO,VEDO,VGDO,VUD) *WH/CHR	1	EA	
Not Shown	PE010080	4.5" LOGO/VIKING PROF *WH/BR	1	EA	
NI	PD030006	CAPPED WASHER PAL NUT	1	EA	
2	000268-000	HANDLE ENDCAP	1	EA	
Not Shown	PE030001PVD	END CAP DOOR HANDLE *BR	1	EA	
NI	PD010019	BLT-1/4-20X3/8"HEX WASHER SERATED	1	EA	
3	PE030005	DOOR HANDLE - VGSC30/RC60/RC48RH	1	EA	
Not Shown	PE030012PVD	DOOR HANDLE - RH - (30"/48") PVD	1	EA	
4	PE060031	J-MOLD (LARGE WINDOW)	1	EA	
Not Shown	PE060045	J-MOLD (LARGE WINDOW) *BR*	1	EA	
5	B2002188	O/S DOOR PANEL *SS* (VDSC30)	1	EA	
Not Shown	C9002188AL	O/S DOOR PANEL-*AL* (VDSC30)	1	EA	NO LONGER AVAILABLE, Not available online / Call for pricing and availability

Item	Part No.	Name	Qty	Uom	NOTES
Not Shown	C9002188BK	O/S DOOR PANEL-*BK* (VDSC30)	1	EA	
Not Shown	C9002188BT	O/S DOOR PANEL-*BT* (VDSC30)	1	EA	NO LONGER AVAILABLE, Not available online / Call for pricing and availability
Not Shown	C9002188BU	O/S DOOR PANEL-*BU* (VDSC30)	1	EA	Not available online / Call for pricing and availability
Not Shown	C9002188CB	O/S DOOR PANEL-*CB* (VDSC30)	1	EA	NO LONGER AVAILABLE
Not Shown	C9002188EP	O/S DOOR PANEL-*EP* (VDSC30)	1	EA	NO LONGER AVAILABLE, Not available online / Call for pricing and availability
Not Shown	C9002188FG	O/S DOOR PANEL-*FG* (VDSC30)	1	EA	NO LONGER AVAILABLE, Not available online / Call for pricing and availability
Not Shown	C9002188GG	O/S DOOR PANEL-*GG* (VDSC30)	1	EA	
Not Shown	C9002188LE	O/S DOOR PANEL-*LE* (VDSC30)	1	EA	NO LONGER AVAILABLE, Not available online / Call for pricing and availability
Not Shown	C9002188MJ	O/S DOOR PANEL-*MJ* (VDSC30)	1	EA	NO LONGER AVAILABLE, Not available online / Call for pricing and availability
Not Shown	C9002188SG	O/S DOOR PANEL-*SG* (VDSC30)	1	EA	NO LONGER AVAILABLE, Not available online / Call for pricing and availability
Not Shown	C9002188VB	O/S DOOR PANEL-*VB* (VDSC30)	1	EA	NO LONGER AVAILABLE
Not Shown	C9002188WH	O/S DOOR PANEL-*WH* (VDSC30)	1	EA	
NI	PD020002	10 X 1/2 PH.TR.HD.SMS.	1	EA	
NI	PD020014	10X3/4 PH TR HD SMS	1	EA	
6	J1002594	OVEN DR HEAT SINK (VDSC30)	1	EA	
7	A2002498	HINGE POCKET COVER RH	1	EA	
8	A2002499	HINGE POCKET COVER LH	1	EA	



Item	Part No.	Name	Qty	Uom	NOTES
9	A2002367	DOOR GLASS BRKT	1	EA	
10	PE060039	GLASS-HEAT TREATED (HB2) VDSC	1	EA	
11	A2002548	DOOR INSULATION RETAINER RH VDSC	1	EA	NO LONGER AVAILABLE, Not available online / Call for pricing and availability
12	G9102747	DR LINER ASY(VDSC30/48)REP H9102173	1	EA	
13	PE060064	WINDOW PACK, SELF CLEANING OVEN 30"	1	EA	
14	G9102745	DR PG ASSY VDSC30/48" RE H9102175 (Before 12/20/2012)	1	EA	
NI	PB070034	INSULATION-TRS-10 1" X 20" X 77' ROLL	1	EA	NO LONGER AVAILABLE
NI	PB070074	TRS-10 3" X 20" X 45' INSULATION (SELF-CLEAN)	1	EA	
NI	000594-000	BLACK FIBERGLASS ROPE 3/8"	1	EA	
NI	000623-000	DOOR GASKET(3/8"DIA.) (VDSC)	1	EA	

OVEN CAVITY ASSY





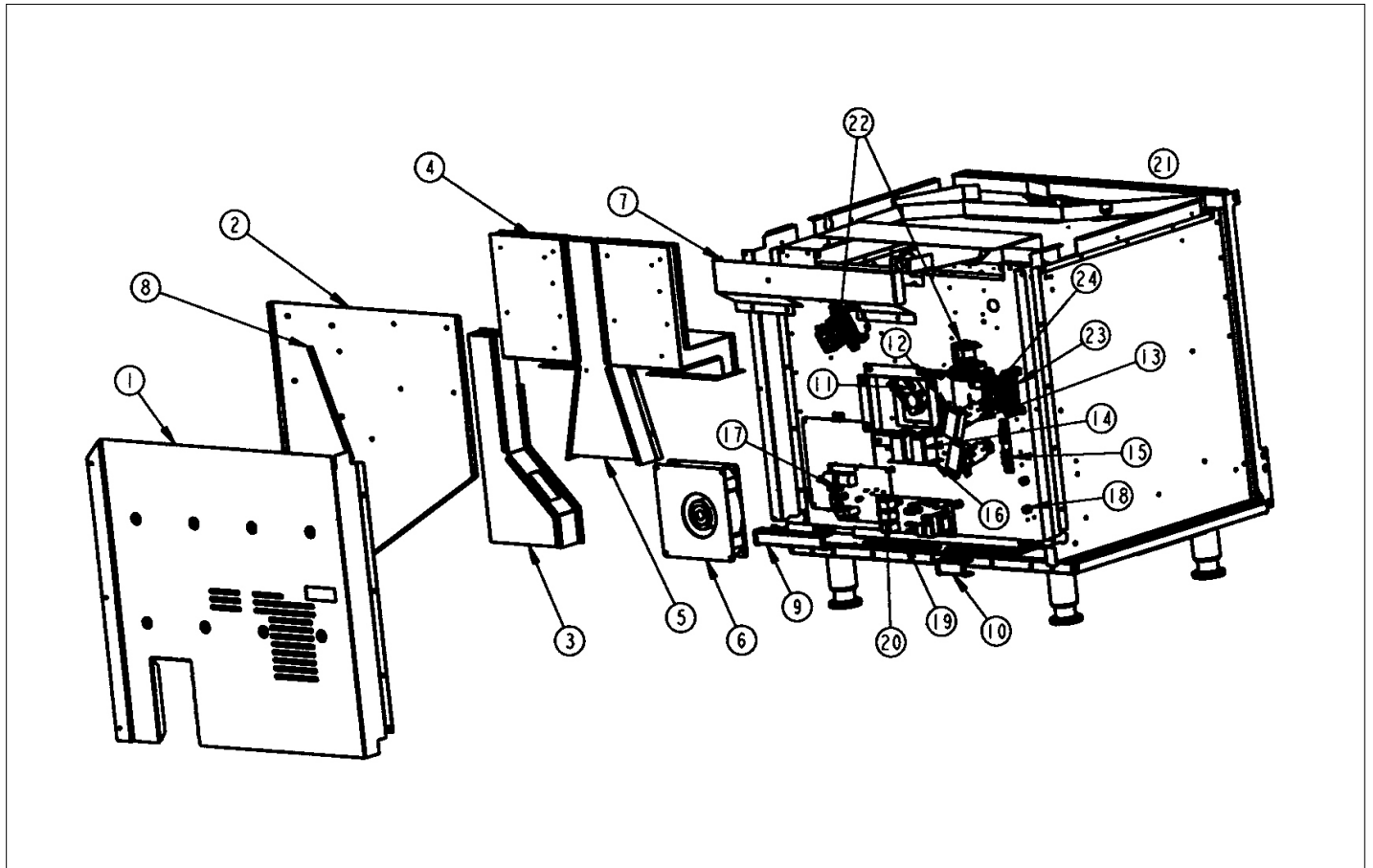
Item	Part No.	Name	Qty	Uom	NOTES
1	PE050059	HI-LIMIT SWITCH		EA	
2	PD030062	.250 HI-LIMIT SWITCH CLAMP(VGSC306)		EA	
3	A20012920	TOP FRONT AIR BAFFLE LH		EA	NO LONGER AVAILABLE, Not available online / Call for pricing and availability
4	A20012913	DOOR GASKET BRACKET LH		EA	NO LONGER AVAILABLE, Not available online / Call for pricing and availability
5	A20012914	DOOR GASKET BRACKET RH		EA	NO LONGER AVAILABLE, Not available online / Call for pricing and availability
6	A2004423	DOOR LOCK BOX (VGSC306)		EA	
7	001255-000	ADHESIVE BACKED INSULATION		EA	NO LONGER AVAILABLE, Not available online / Call for pricing and availability
8	PE050053	DR LATCH REPL PE050020		EA	
<p>Comments for Part Num. PE050053</p> <p>profixappliances@gmail.com on Oct 8, 2019</p> <p>UNIT DEDO200SS, 121203C0000000562 - USES SELF CLEAN LATCH PE050112 WITH HOOK POINTED "DOWN"</p>					
9	G3001876	IR BURNER ASSY (VGSC/RC) N/S		EA	
NI	PB040040	ORIFICE-IR BURNER (VGSC) (NAT #47)		EA	
Not Shown	NOTE	(Nat. - #47)		EA	
NI	PB040027	IR BUR.SPUD ORF. - #56 LP		EA	
Not Shown	NOTE	(L.P. - #56)		EA	
10	PB040171	BROIL IGNITION ELECTRODE		EA	
11	PE050056	OVEN LIGHT ASSY 12V/5W		EA	
NI	062116-000	REPLACEMENT BULB (FOR PE050056 ASSEMBLY)		EA	

Item	Part No.	Name	Qty	Uom	NOTES
12	A20012922	DISCONNECT POWER BRACKET		EA	NO LONGER AVAILABLE, Not available online / Call for pricing and availability
13	A2002595	CONVECTION FAN BOX (VDSC)		EA	
14	PE050057	CONVECTION FAN (VGSC306)		EA	
15	A1002596	CONVECTION FAN COVER (VDSC)		EA	
16	G9104482	CONVECTION FAN COVER ASSY (VGSC306)		EA	NO LONGER AVAILABLE
17	G9102743	OVEN FRONT FRAME ASSY (VDSC30)		EA	Not available online / Call for pricing and availability
18	PB040172	3/8 X 3/8 ORIFICE FITTING (NAT)		EA	NO LONGER AVAILABLE
19	A2004428	REAR BOTTOM BRCKT (VGSC306)		EA	
20	A2004434	ORIFICE BRACKET (VGSC306)		EA	Not available online / Call for pricing and availability
21	PB040170	BAKE IGNITION ELECTRODE		EA	
22	A2004424	BURNER COVER (VGSC306)		EA	
23	006197-000	U-SHAPE BAKE BURNER 8"		EA	
NI	PB040180	ORIFICE HOOD #31		EA	
Not Shown	NOTE	(Nat. - #31)		EA	
NI	PB040034	ORIFICE HOOD-#50 (NAT)		EA	
Not Shown	NOTE	(L.P.) - #50)		EA	
24	B2004415	BURNER BRACKET (VGSC306)		EA	
25	PB060030	RACK SUPT REPL PB060010		EA	
26	PB060044	OVEN RK VDSC30/48RH REPL PB060019		EA	
27	PC020009	HINGE ASSY (BROWN) (MUST ORDER 2 PD020033 SCREW WHEN REPLACING HINGE)		EA	
28	068456-000	ASM, BOTTOM, CAVITY, OVEN, GAS, 30", GRAY		EA	
Not Shown	NOTE	(INCLUDES HEAT SHIELD)		EA	



Item	Part No.	Name	Qty	Uom	NOTES
29	A2002481	BTM INSULATION SHIELD (VDSC)		EA	
30	A2002480	MAIN BTM (VDSC)		EA	NO LONGER AVAILABLE
31	PC030007	LEG PLATE - 3/4" THREADED HOLE		EA	
32	PC030017	4" LEG ASSY		EA	
NI	E9107933	BROILER PAN		EA	
NI	E9107934	BROILER PAN INSERT - NLA		EA	
NI	PB020126	3/8" S.S. FLEX TUBING 15" (DGCU)		EA	
NI	PB020112	3/8 SS FLEX TUBING - 36" T6-36		EA	
NI	PB020243	3/8" S.S. FLEX TUBING 40"		EA	
NI	019497-000	30" CURB BASE KIT		EA	

OVEN REAR ASSY

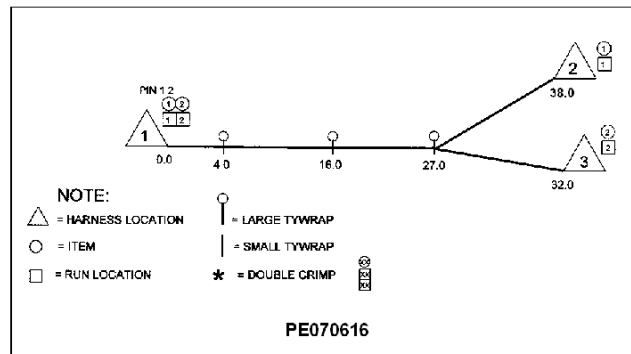
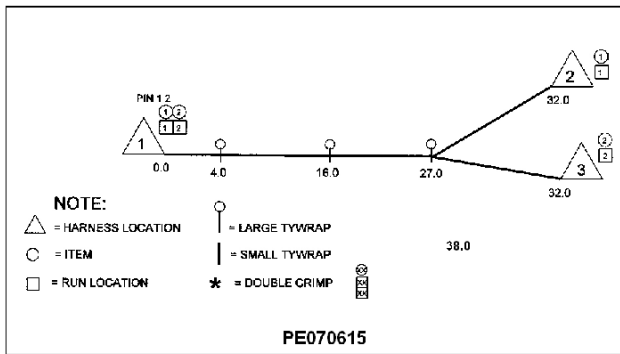
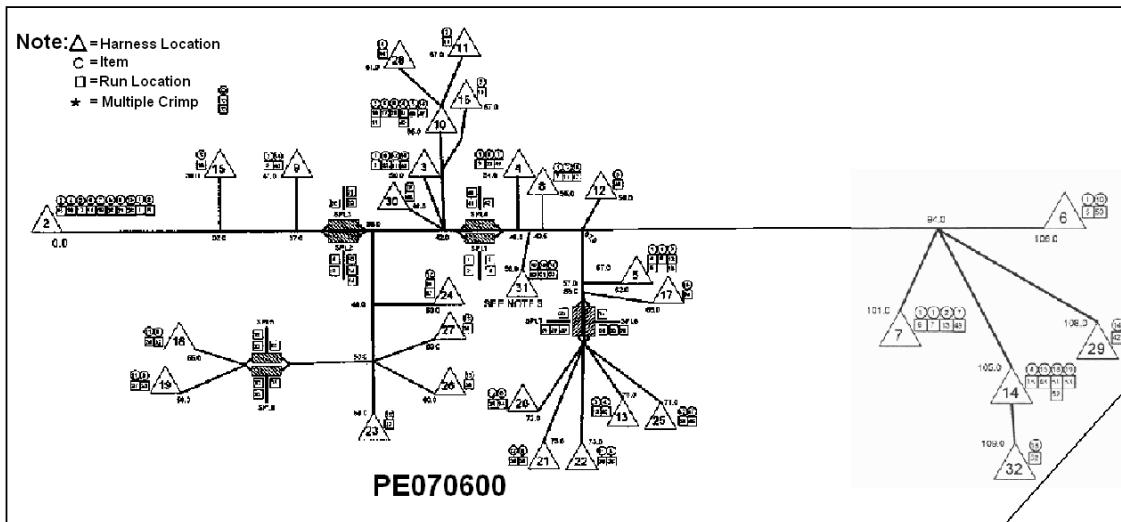
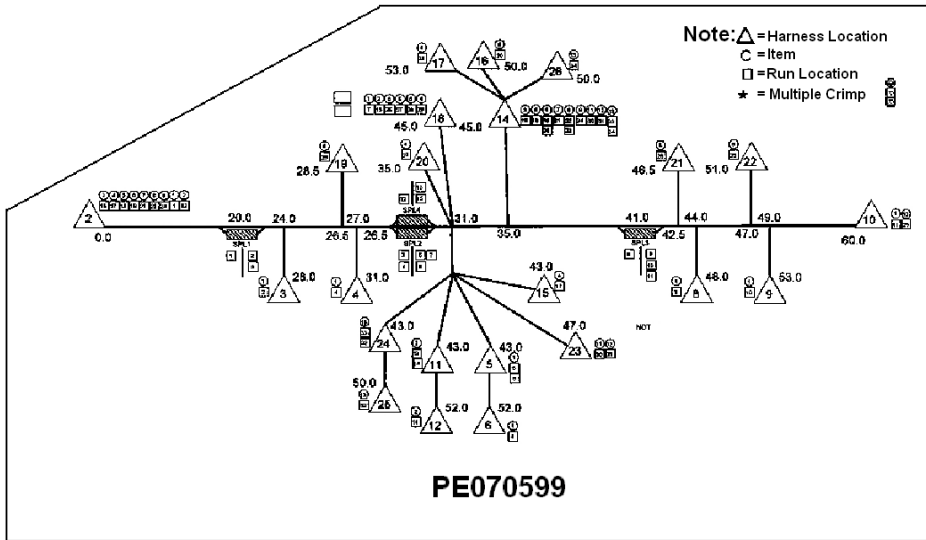


Item	Part No.	Name	Qty	Uom	NOTES
1	A20012911	OVEN BACK	1	EA	Not available online / Call for pricing and availability
2	A2004468	BACK AIR CHANNEL (VGSC306)	1	EA	NO LONGER AVAILABLE, Not available online / Call for pricing and availability
3	G3004446	COOLING FAN DUCT WELD ASSY(VGSC306)	1	EA	NO LONGER AVAILABLE, Not available online / Call for pricing and availability
4	G3004414	FLUE ASSY (VGSC306)	1	EA	NO LONGER AVAILABLE
5	G3004444	BROILER FLUE WELD ASSY (VGSC306)	1	EA	NO LONGER AVAILABLE, Not available online / Call for pricing and availability
6	PE050026	COOLING FAN (VDSC)	1	EA	NO LONGER AVAILABLE
7	A2004464	FLUE HEAT SHIELD (VGSC306)	1	EA	NO LONGER AVAILABLE
8	A2004471	BACK AIR CHANNEL CENTER (VGSC306)	1	EA	NO LONGER AVAILABLE, Not available online / Call for pricing and availability
9	A2004480	WIRE CHANNEL LH (VGSC306)	1	EA	NO LONGER AVAILABLE
10	A2004481	WIRE CHANNEL RH (VGSC306)	1	EA	NO LONGER AVAILABLE
11	PE050057	CONVECTION FAN (VGSC306)	1	EA	
12	PJ030002	AUTO RESET (SELF-CLEAN) VDSC	1	EA	
13	A1002456	THERMO-DISC BRKT (VDSC)	1	EA	
14	PM010029	RELAY (DOUBLE POLE-DOUBLE THROW)TEM	1	EA	
15	PE050001	TERMINAL BOARD	1	EA	
16	A2004458	RELAY BRACKET (VGSC306) (2 RELAY)	1	EA	NO LONGER AVAILABLE
17	PA020035	DSI MODULE REPL PA020027	1	EA	
18	PD030033	GROMMET NUT-ROUND HD. #8 X .500DIA.	1	EA	



Item	Part No.	Name	Qty	Uom	NOTES
19	A2004465	AIR CHANNEL (VGSC306)	1	EA	NO LONGER AVAILABLE, Not available online / Call for pricing and availability
20	PE070148	SELF-CLEAN BOARD/TIMER (VDSC)	1	EA	
21	PE070468	TRANSFORMER HALOGEN LIGHTS REPLACES PE070222	1	EA	NO LONGER AVAILABLE
22	PA010139	F J T VALVE REPL PA010079	1	EA	
23	A20012917	TRANSFORMER BRACKET	1	EA	NO LONGER AVAILABLE, Not available online / Call for pricing and availability
24	PE070468	TRANSFORMER HALOGEN LIGHTS REPLACES PE070222	1	EA	NO LONGER AVAILABLE
NI	A2002654	ANTI-TIP DEVICE (VDSC)	1	EA	
NI	G3204472	BACKGUARD ASSY (VGSC306)	1	EA	NO LONGER AVAILABLE
NI	G4008493	SUPPLY CORD ASSY- VGSU	1	EA	

WIRING





Item	Part No.	Name	Qty	Uom	NOTES
NI	PE070599	WIRE HARNESS - FRONT	1	EA	NO LONGER AVAILABLE
NI	PE070600	WIRE HARNESS - REAR	1	EA	NO LONGER AVAILABLE, Not available online / Call for pricing and availability
NI	PE070615	HARNESS - DISCONNECT POWER (CAP)	1	EA	
Not Shown	NOTE	(CAP)		EA	
NI	PE070616	HARNESS - DISCONNECT POWER (PLUG)	1	EA	
Not Shown	NOTE	(PLUG)		EA	
NI	PE070223	WIRE HARNESS P/C BOARD	1	EA	
NI	G4000935	BAKE/BROIL JUMPER WIRE - VGR/VCM	1	EA	
NI	G4001656	SPARK MODULE GROUND WIRE	1	EA	
NI	G4001587	SPARK MODULE-TOP BRNR SPARKER (25)	1	EA	
Not Shown	NOTE	(25")		EA	
NI	PE070719	IGNITOR WIRE KIT - VDSC3674Q	1	EA	
Not Shown	NOTE	(16")		EA	
NI	G4005411	DSI BAKE JUMPER (VGSC306)	1	EA	
NI	G4005412	DSI BROIL JUMPER (VGSC306)	1	EA	



Appendix A:Pages Index

BURNER BOX ASSY .....	1
DOOR ASSY .....	2
OVEN CAVITY ASSY .....	3
OVEN REAR ASSY .....	4
WIRING .....	5



Appendix B:Parts Index

000268-000	2	A2002498	2
000594-000	2	A2002499	2
000623-000	2	A2002548	2
001255-000	3	A2002595	3
001394-043	1	A2002654	4
002156-000	1	A2004423	3
003322-040	1	A2004424	3
003517-000	1	A2004428	3
003862-000	1	A2004434	3
006197-000	3	A2004458	4
007147-000	1	A2004461	1
018200-000	1	A2004464	4
019497-000	3	A2004465	4
050172-000	1	A2004468	4
062116-000	3	A2004471	4
066197-042	1	A2004480	4
066958-000	1	A2004481	4
068456-000	3	A2006731	1
077728-000	1	A2006747	1
A1001138	1	A2006748	1
A10012915	1	A2007852	1
A1002456	4	B20010179	1
A1002596	3	B20010180	1
A1006737	1	B2002188	2
A20011466	1	B2004415	3
A20011467	1	B2007868	1, 1
A20012911	4	B9204483	1
A20012913	3	C90010179AL	1
A20012914	3	C90010179BK	1
A20012916	1	C90010179BT	1
A20012917	4	C90010179BU	1
A20012920	3	C90010179CB	1
A20012922	3	C90010179EP	1
A20012961	1	C90010179FG	1
A20012962	1	C90010179GG	1
A2001401	1	C90010179LE	1
A2002367	2	C90010179MJ	1
A2002480	3	C90010179SG	1
A2002481	3	C90010179VB	1
A2002496	1	C90010179WH	1
		C90010180AL	1



C90010180BK	1	G3004414	4
C90010180BT	1	G3004444	4
C90010180BU	1	G3004446	4
C90010180CB	1	G3006739	1
C90010180EP	1	G3006766	1
C90010180FG	1	G3202172AL	2
C90010180GG	1	G3202172ALBR	2
C90010180LE	1	G3202172BK	2
C90010180MJ	1	G3202172BKBR	2
C90010180SG	1	G3202172BT	2
C90010180VB	1	G3202172BTBR	2
C90010180WH	1	G3202172BU	2
C9002188AL	2	G3202172BUBR	2
C9002188BK	2	G3202172CB	2
C9002188BT	2	G3202172CBBR	2
C9002188BU	2	G3202172EP	2
C9002188CB	2	G3202172EPBR	2
C9002188EP	2	G3202172FG	2
C9002188FG	2	G3202172FGBR	2
C9002188GG	2	G3202172GG	2
C9002188LE	2	G3202172GGBR	2
C9002188MJ	2	G3202172LE	2
C9002188SG	2	G3202172LEBR	2
C9002188VB	2	G3202172MJ	2
C9002188WH	2	G3202172MJBR	2
C9307868BR	1, 1	G3202172SG	2
E9107413AL	1	G3202172SGBR	2
E9107413BK	1	G3202172SS	2
E9107413BT	1	G3202172SSBR	2
E9107413CB	1	G3202172VB	2
E9107413EP	1	G3202172VBBR	2
E9107413FG	1	G3202172WH	2
E9107413GG	1	G3202172WHBR	2
E9107413LE	1	G3204472	4
E9107413MJ	1	G4000935	5
E9107413SG	1	G4001587	5
E9107413VB	1	G4001656	5
E9107413WH	1	G4005411	5
E9107933	3	G4005412	5
E9107934	3	G4008493	4
G3001876	3	G50012679	1



G50014406	1	PB040180	3
G50014407	1	PB040194	1
G9102743	3	PB040217	1
G9102745	2	PB050063	1
G9102747	2	PB050081	1, 1
G9104482	3	PB060030	3
J1002594	2	PB060044	3
L2006736	1	PB070034	2
PA010080	1	PB070074	2
PA010081	1	PC020009	3
PA010100	1	PC030007	3
PA010139	4	PC030017	3
PA020015	1	PD010019	2
PA020029	1	PD020002	2
PA020035	4	PD020014	2
PA020045	1	PD030006	2
PA020047	1	PD030033	4
PA060054	1	PD030062	3
PA060060	1	PE010016	2
PA060061	1	PE010017	2
PA060062	1	PE010079	2
PA070003	1	PE010080	2
PA080075	1	PE030001PVD	2
PA080086	1	PE030005	2
PB010186	1	PE030012PVD	2
PB010187	1	PE050001	4
PB010188	1	PE050017	1
PB010206	1	PE050023	1
PB010207	1	PE050024	1
PB010209	1	PE050026	4
PB020112	3	PE050053	3
PB020126	3	PE050056	3
PB020192	1	PE050057	3, 4
PB020193	1	PE050059	3
PB020243	3	PE060031	2
PB040027	3	PE060039	2
PB040034	3	PE060045	2
PB040040	3	PE060064	2
PB040170	3	PE070148	4
PB040171	3	PE070223	5
PB040172	3	PE070468	4, 4



PE070599 .....	5
PE070600 .....	5
PE070615 .....	5
PE070616 .....	5
PE070719 .....	5
PJ030002 .....	4
PJ030006 .....	1
PJ030015 .....	1
PM010029 .....	4