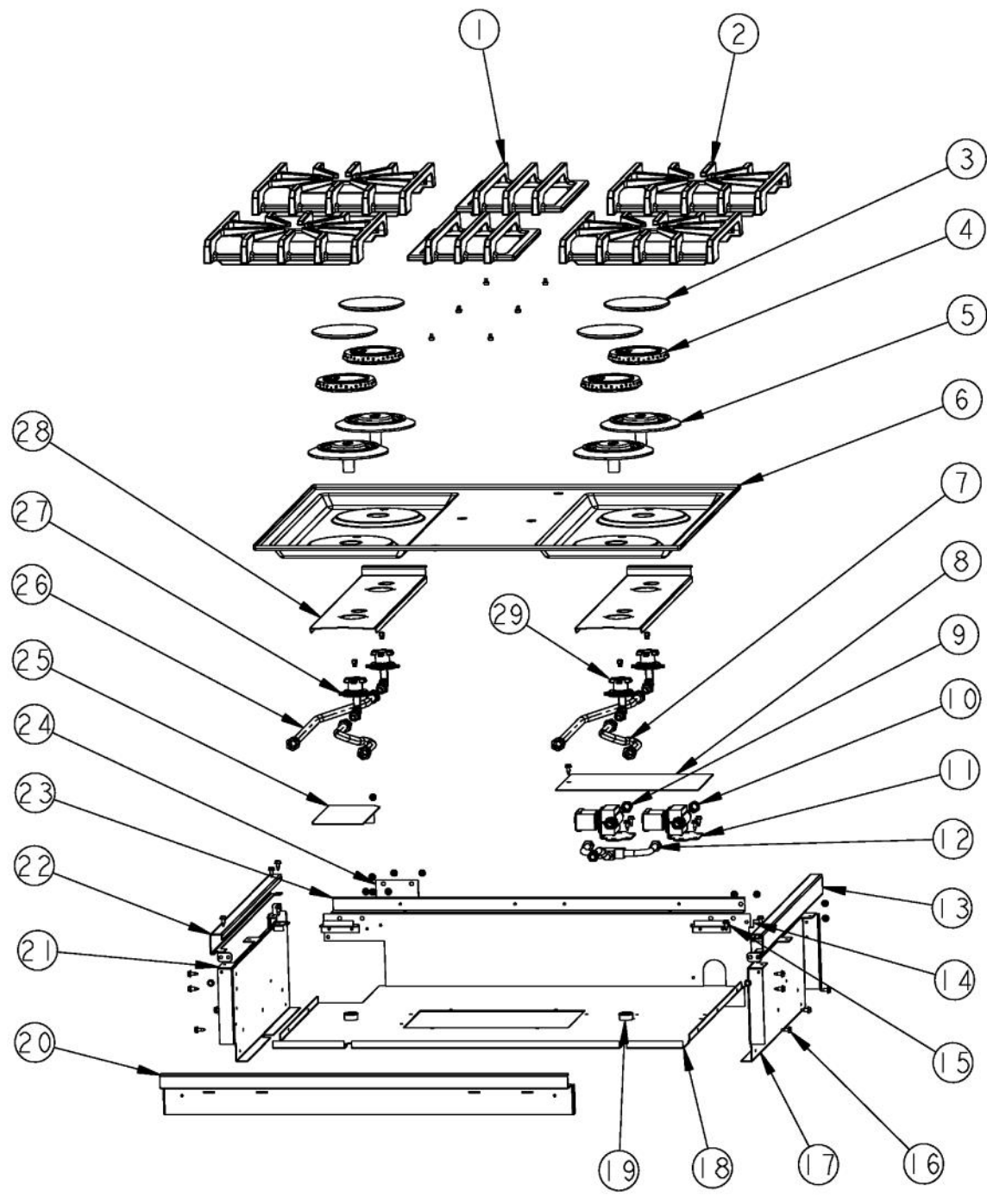
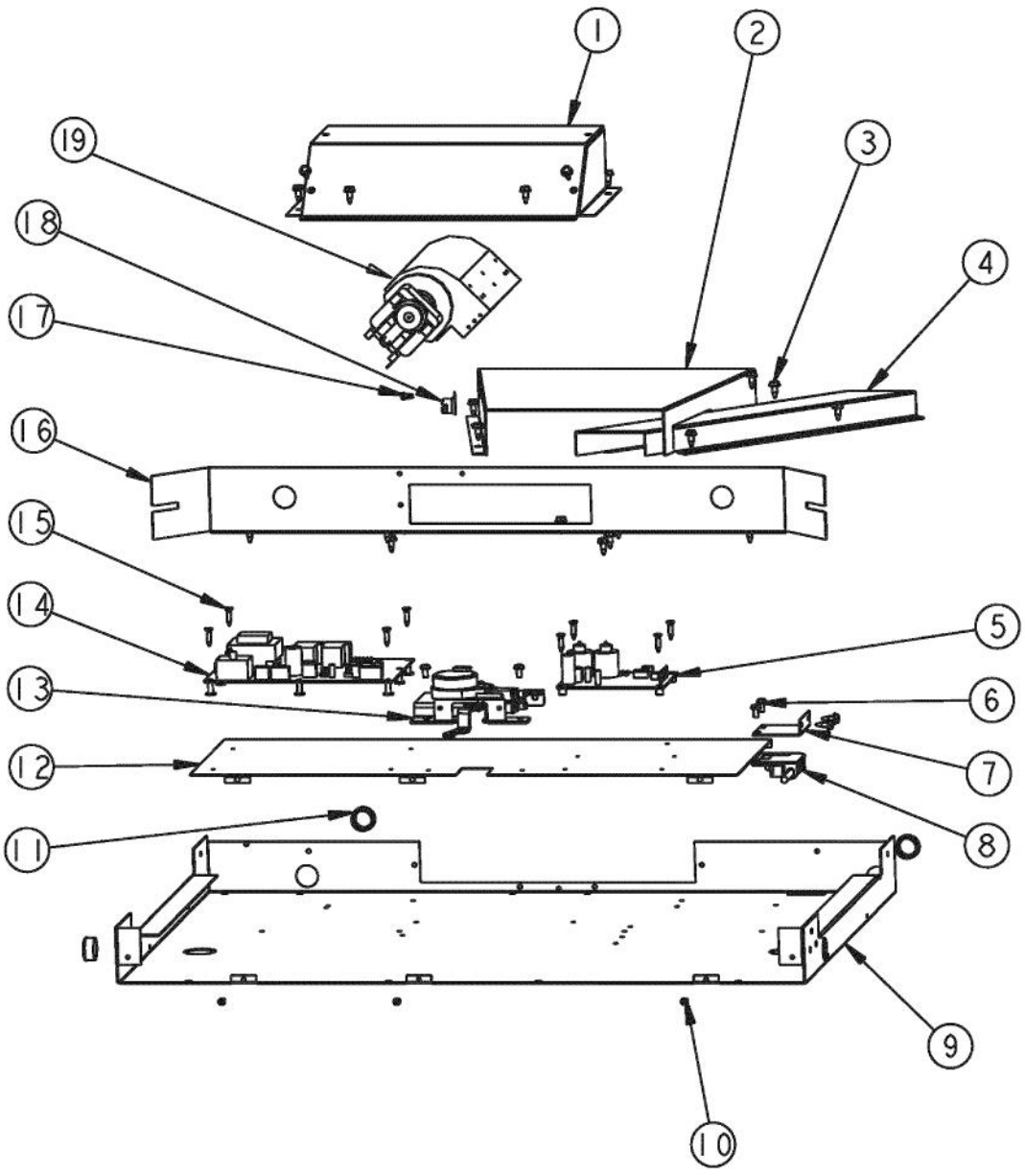


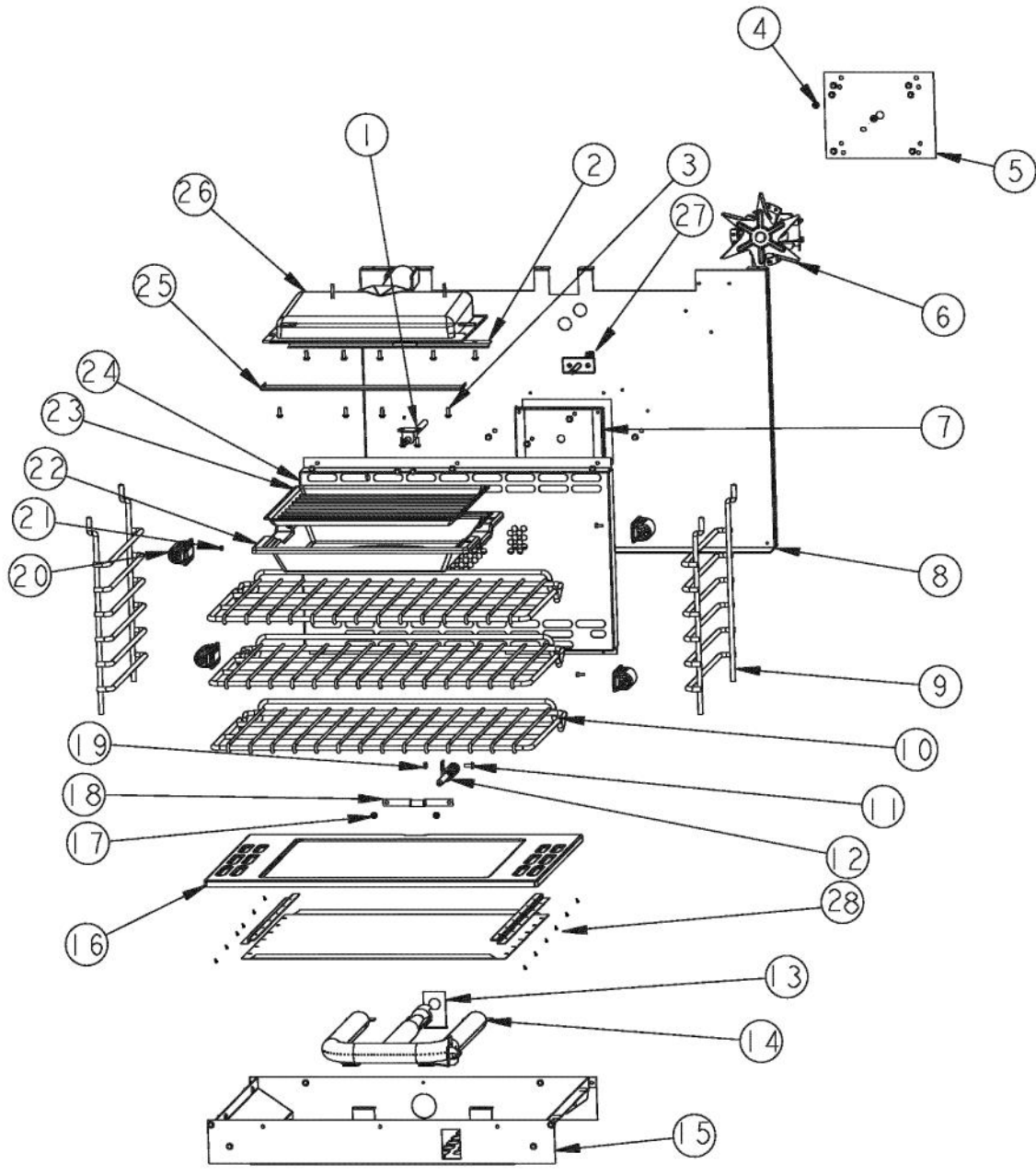
Ref #	Part Number	Qty.	Description
1	005269-000	4	RANGE TOP BURNER KNOB-BRUSHED, SSS BEFORE 12/20/12
1	035881-000	4	KNOB, BNR, TOP PRO CR3 AFTER (12/20/12)
2	003719-000	1	OVEN LIGHT SWITCH, BLACK
3	PB010304	6	KNOB BEZEL
4	008415-000	1	KNOB, SEL, NO.3 SSS, ASM, VGSC BEFORE 12/20/12
4	035887-000	1	KNOB,OVN,SEL, PRO VGSC CR3 AFTER (12/20/12)
5	PD120044	4	PROTECTIVE FILM (8071049)
6	PA020058	3	IRIS SINGLE SPARK MODULE
7	PE050023	2	OVEN IND. LIGHT (LENS & BEZEL)
8	PA010012	1	ROPER PLUG
9	PA070003	1	PRESSURE REGULATOR (NAT.)
9	013386-000	1	LP PRESSURE REGULATOR
10	PE050024	1	OVEN IND. LIGHT (LIGHT HOUSING)
11	PJ030035	1	THERMOSTAT
12	PJ030034	1	SELECTOR (6 POS)
13	PB030007	1	SHUT OFF VALVE
14	006015-000	4	VALVE, BRS, SEALED TOP - ISPHORDING
15	002926-000	1	GAS MANIFOLD, REDESIGN
16	PA020058	4	IRIS SINGLE SPARK MODULE
17	PD020046	4	NO.8 X 1/2 SCREWS
18	005270-000	1	RANGE THERMOSTAT KNOB-BRUSHED, SSS BEFORE 12/20/12
18	035893-000	1	KNOB,OVN,TSTAT, PRO VDSC/VESC CR3 AFTER (12/20/12)
19	025711-2057	1	CONTROL PANEL ASM, VGSC530-4B W/GRAPHICS
20	PD020032	5	SRW-8(A)X3/8PH.WFR HD 7/16DIAXNICL
21	002945-000	1	FALSE DRIP TRAY HANDLE ASSY, 30 - SS



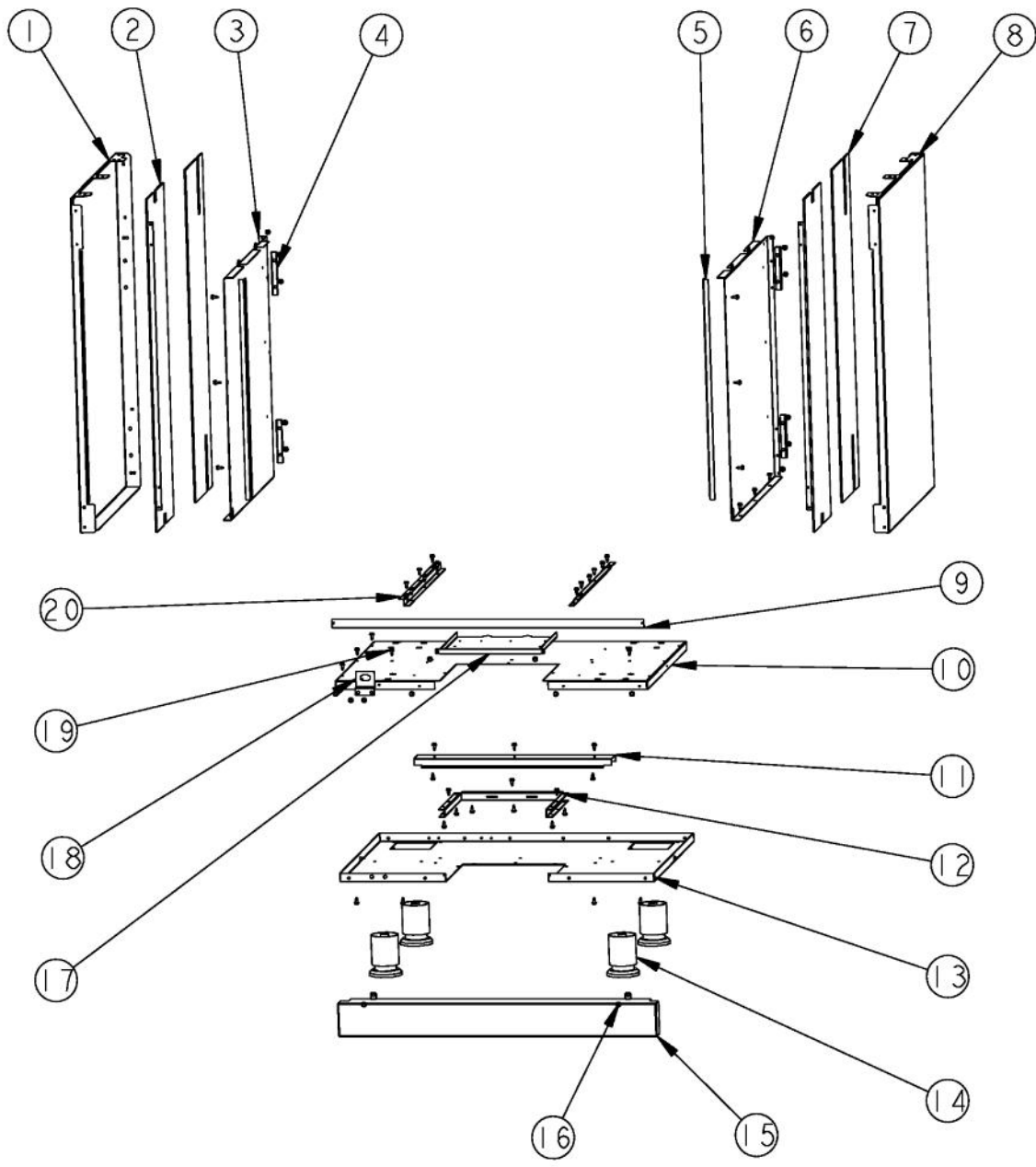
Ref #	Part Number	Qty.	Description
1	002907-000	2	CENTER GRATE, REDESIGN
2	002817-000	4	SPIDER GRATE, VDSC REDESIGN
3	PA080083	4	D BURNER CAP XMATTE BLACKX
4	004056-000	4	D-BURNER HEAD
5	003322-040	4	SEALED BURNER BASE, TURNED FINISH
5	003322-041	4	SEALED BURNER BASE, PAINTED FINISH
6	E9107413BK	1	MAIN TOP 30 XBKX
6	E9107413WH	1	MAIN TOP 30 XWHX
7	PB020192	1	10 FLEX TUBING W/CONNECTORS
8	007815-000	1	SHIELD, HEAT, SOLENOID
9	005372-000	1	BROIL TUBING
10	006338-000	1	BAKE TUBING
11	PA010139	2	F J T VALVE REPL PA010079
12	007502-000	1	MANIFOLD TUBING
13	002920-000	1	SIDE TRIM, RH - STAINLESS
14	004021-000	2	SUPPORT,TRIM,SIDE
15	007485-000	1	TRAY, INSL
16	003860-000	31	NO.10-18 X .500 FASTNR,SCR,HXWH,STL,ZPLT
17	002755-000	1	BURNER BOX SIDE, RH
18	006958-000	1	PANEL, CTR
19	PD040005	2	SNAP BUSHING - 7/8
20	002925-000	1	FRONT SUPPORT, BURNER BOX
NI	051431-000	1	VGSC536-6B / 4Q TROUGH KIT (FOR UNITS MANUFACTURED PRIOR TO SERIAL NO. 06111...
21	003481-000	1	BURNER BOX SIDE, LH
22	003649-000	1	SIDE TRIM, LH - STAINLESS
23	006035-000	1	SUPPORT, BACK
24	006687-000	1	REGULATOR COVER PLATE
25	004016-000	1	PLATE,SVCE,RGLT
26	PB020193	2	16 FLEX TUBING W/CONNECTORS
27	001394-042	3	15000 BTU NAT JETHOLDER
27	001394-046	3	12.5 K BTU LP JETHOLDER
28	002923-000	2	BURNER MODULE SUPPORT
29	001394-041	1	18500 BTU NAT JETHOLDER
29	001394-044	1	16.6 K BTU LP JETHOLDER



Ref #	Part Number	Qty.	Description
1	006959-000	1	COVER, FAN
2	005464-000	1	DUCT, VENT
3	003860-000	26	NO.10-18 X .500 FASTNR,SCR,HXWH,STL,ZPLT
4	006950-000	1	DUCT, VENT
5	PA020056	1	TYTRONICS DSI MODULE (BEFORE 12/29/10)
5	023651-000	1	DSI120 LONG PURGE (ON OR AFTER 12/29/10)
6	PD020004	4	10X3/8PH.HD.TYPE 25 REPL PD040125
7	A20012649	1	DOOR SWITCH BRACKET
8	PE050208	1	DOOR SWITCH
9	NOT REPLACEABLE	N/A	OVEN CAVITY (NOT REPLACEABLE PART)
10	PD020076	3	6-32 X 3/8 PHILL PAN MS
11	PD040005	3	SNAP BUSHING - 7/8
12	005315-000	1	TRAY, ELEX, 30, GSC
13	012565-000	1	MOTORIZED DOOR LATCH
14	007497-000	1	CONTROL BOARD EOC2
NI	016916-000	1	EOC BOARD W/INSTRUCTIONS
15	PD020061	8	NO.8 X 3/4 FLAT HD TEK. SS.
16	006114-000	1	DIVIDER, AIR
17	PD020013	2	TYPE AB NO.6 X 3/8 PH PAN HD. SMS
18	PJ030039	1	BI-METAL THERMOSTAT 275 DEGREES
19	PE050250	1	PREMIUM BLOWER WITH HES

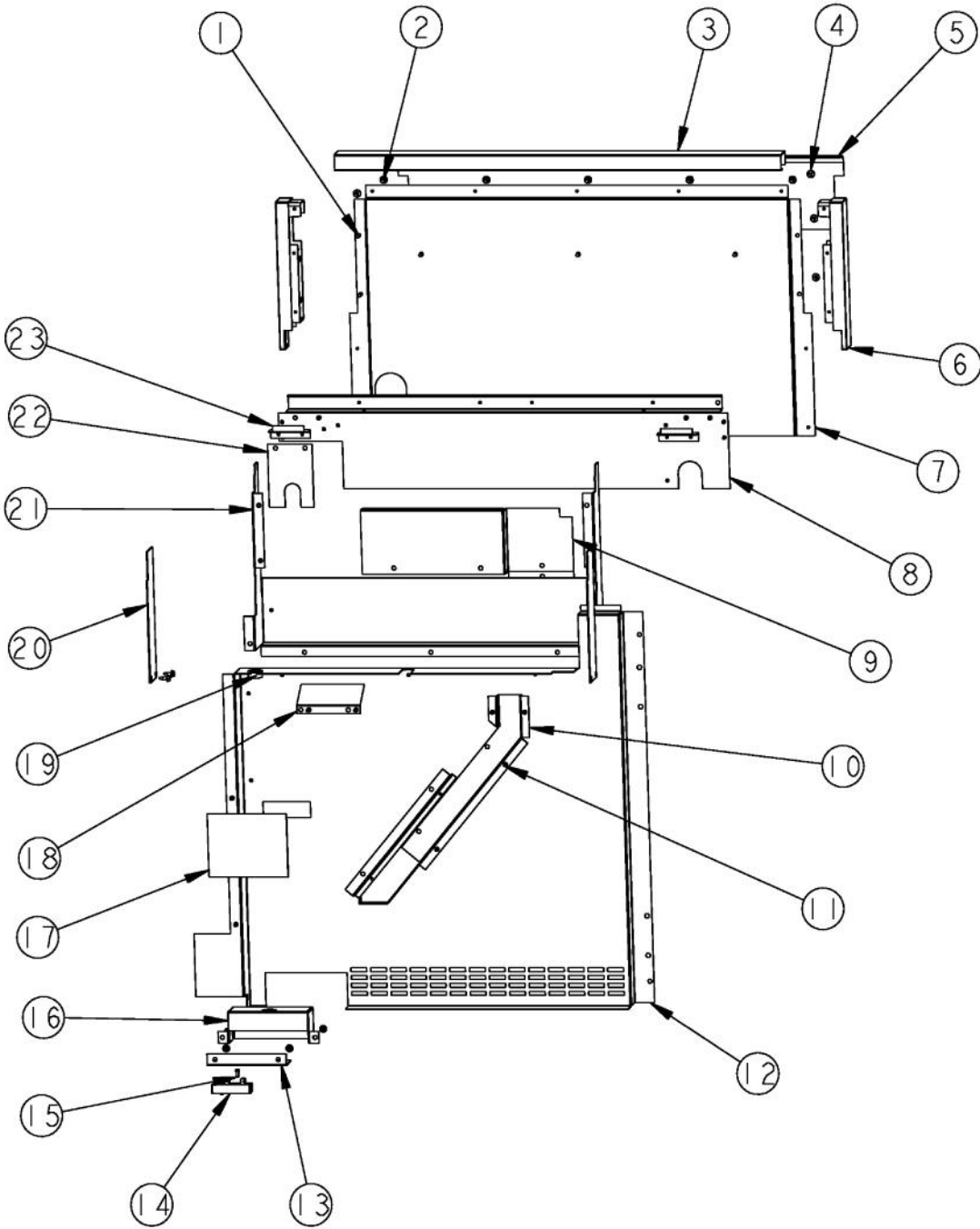


Ref #	Part Number	Qty.	Description
1	PB040171	1	BROIL IGNITION ELECTRODE
2	B2005589	1	REAR BROILER BRACKET
3	PD020048	25	NO.10 X 1/2 TEK 410 SS SCREW
4	003860-000	9	NO.10-18 X .500 FASTNR,SCR,HXWH,STL,ZPLT
5	A1002596	1	CONVECTION FAN COVER (VDSC)
6	PE050057	1	CONVECTION FAN (VGSC306) (BEFORE 8/31/11)
6	023090-000	1	MOTOR, CONV ASM? (ON OR AFTER 8/31/11)
7	A2002595	1	CONVECTION FAN BOX (VDSC)
8	020404-000	1	INSULATION, BACK, PANEL, 30
9	PB060030	2	RACK SUPT REPL PB060010
10	PB060044	3	OVEN RK VDSC30/48RH REPL PB060019
11	PD010003	1	10-24 X 1/2 PH.TR.HD.SERD.M.S.
12	PB040170	1	BAKE IGNITION ELECTRODE
13	005529-000	1	BAKE ORIFICE MTG BRKT (BEFORE 2/11/13)
13	040736-000	1	BRKT, ORF (ON OR AFTER 2/11/13)
14	005329-000	1	BURNER, OVEN, ASM
15	005102-000	1	BURNER PAN ASSEMBLY
16	G9104438	1	OVEN BOTTOM PAN ASSY (VGSC306)
NI	A2004439	1	OVEN BOTTOM SHIELD (VGSC306)
17	M0210443	2	SCREW-E SM
18	A2004428	1	REAR BOTTOM BRCKT (VGSC306)
19	PD030010	1	NO.10-24 KEPS NUT
20	PE050238	4	120 VOLT SIDE HALOGEN LIGHT
21	PD020067	4	NO.6 X 3/8 PAN PHIL. TEK SS
22	E9107933	1	BROILER PAN
23	E9107934	1	BROILER PAN INSERT
24	G9104482	1	CONVECTION FAN COVER ASSY (VGSC306)
25	B2002261	1	FRONT I/R BROILER SUPPORT BRACKET
26	G3001876	1	IR BURNER ASSY (VGSC/RC) N/S
NI	A2004439	1	OVEN BOTTOM SHIELD (VGSC306)
27	007008-000	1	RTD PROBE
NI	031679-000	2	RECEPTACLE, HINGE
28	PD020067	12	NO.6 X 3/8 PAN PHIL. TEK SS

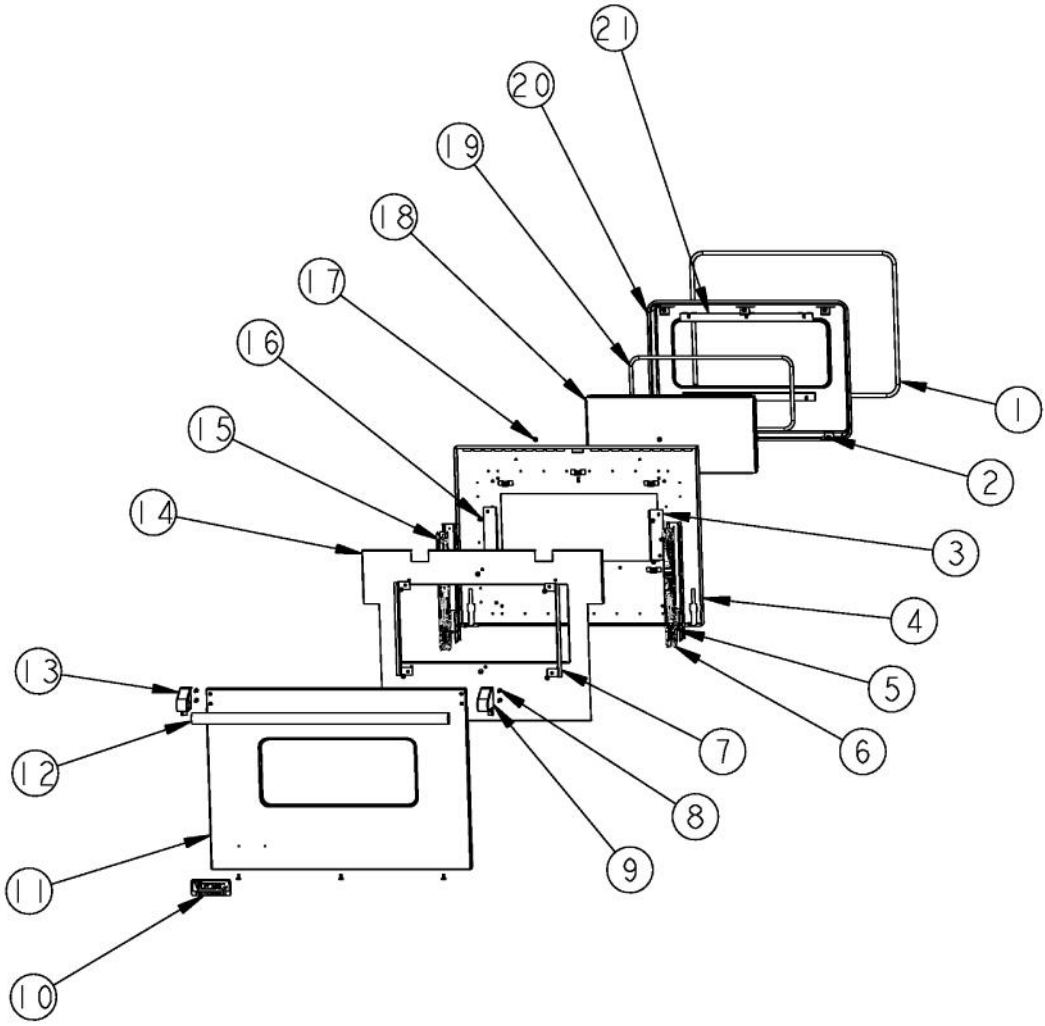


Ref #	Part Number	Qty.	Description
1	003588-000	1	SIDE PANEL, LH
1	005506-002	1	SIDE PANEL, LH ASSY, PAINTED XBKX
1	005506-003	1	SIDE PANEL, LH ASSY, PAINTED XBTX
1	005506-004	1	SIDE PANEL, LH ASSY, PAINTED XSGX
1	005506-005	1	SIDE PANEL, LH ASSY, PAINTED XGGX
1	005506-006	1	SIDE PANEL, LH ASSY, PAINTED XWHX
1	005506-007	1	SIDE PANEL, LH, AL
1	005506-008	1	SIDE PANEL, LH ASSY, PAINTED XBUX
1	005506-009	1	SIDE PANEL, LH ASSY, PAINTED XLEX
1	005506-010	1	SIDE PANEL, LH ASSY, PAINTED XMJX
1	005506-011	1	SIDE PANEL, LH, FG
1	005506-012	1	SIDE PANEL, LH ASSY, PAINTED XVBX
1	005506-013	1	SIDE PANEL, LH ASSY, PAINTED XCBX
1	005506-014	1	SIDE PANEL, LH, EP
1	005506-015	1	SIDE PANEL, LH ASSY, PAINTED XPLX
1	005506-016	1	SIDE PANEL, LH ASSY, PAINTED XCHX
1	005506-017	1	SIDE PANEL, LH ASSY, PAINTED XTPX
1	005506-018	1	SIDE PANEL, LH ASSY, PAINTED XCWX
1	005506-019	1	SIDE PANEL, LH ASSY, PAINTED XOGX
1	005506-020	1	SIDE PANEL, LH ASSY, PAINTED XGMX
1	005506-021	1	SIDE PANEL, LH ASSY, PAINTED XSAX
1	005506-022	1	SIDE PANEL, LH ASSY, PAINTED XSEX
1	005506-023	1	SIDE PANEL, LH ASSY, PAINTED XIBX
1	005506-024	1	SIDE PANEL, LH ASSY, PAINTED XARX
1	005506-025	1	SIDE PANEL, LH ASSY, PAINTED XRRX
1	005506-026	1	SIDE PANEL, LH ASSY, PAINTED XPMX
1	005506-027	1	SIDE PANEL, LH ASSY, PAINTED XMSX
2	002238-000	2	HEAT SINK-SIDE PANEL
3	004482-000	1	INSULATION, PNL, SIDE, LH
4	006744-000	4	STANDOFF, CAB, VGSC
5	005536-000	2	TRIM
6	004479-000	1	INSULATION, PNL, SIDE, RH
7	007488-000	2	SINK, REAR, SIDE
8	002905-000	1	SIDE PANEL, RH, SST
8	005503-002	1	SIDE PANEL, RH ASSY, PAINTED XBKX
8	005503-003	1	SIDE PANEL, RH ASSY, PAINTED XBTX
8	005503-004	1	SIDE PANEL, RH ASSY, PAINTED XSGX
8	005503-005	1	SIDE PANEL, RH ASSY, PAINTED XGGX
8	005503-006	1	SIDE PANEL, RH ASSY, PAINTED XWHX
8	005503-007	1	SIDE PANEL, RH, AL
8	005503-008	1	SIDE PANEL, RH ASSY, PAINTED XBUX
8	005503-009	1	SIDE PANEL, RH ASSY, PAINTED XLEX
8	005503-010	1	SIDE PANEL, RH ASSY, PAINTED XMJX
8	005503-011	1	SIDE PANEL, RH, FG
8	005503-012	1	SIDE PANEL, RH ASSY, PAINTED XVBX
8	005503-013	1	SIDE PANEL, RH ASSY, PAINTED XCBX
8	005503-014	1	SIDE PANEL, RH, EP
8	005503-015	1	SIDE PANEL, RH ASSY, PAINTED XPLX
8	005503-016	1	SIDE PANEL, RH ASSY, PAINTED XCHX
8	005503-017	1	SIDE PANEL, RH ASSY, PAINTED XTPX
8	005503-018	1	SIDE PANEL, RH ASSY, PAINTED XCWX
8	005503-019	1	SIDE PANEL, RH ASSY, PAINTED XOGX
8	005503-020	1	SIDE PANEL, RH ASSY, PAINTED XGMX
8	005503-021	1	SIDE PANEL, RH ASSY, PAINTED XSAX
8	005503-022	1	SIDE PANEL, RH ASSY, PAINTED XSEX
8	005503-023	1	SIDE PANEL, RH ASSY, PAINTED XIBX
8	005503-024	1	SIDE PANEL, RH ASSY, PAINTED XARX
8	005503-025	1	SIDE PANEL, RH ASSY, PAINTED XRRX
8	005503-026	1	SIDE PANEL, RH ASSY, PAINTED XPMX
8	005503-027	1	SIDE PANEL, RH ASSY, PAINTED XMSX

Ref #	Part Number	Qty.	Description
8	005503-027	1	SIDE PANEL, RH ASSY, PAINTED XMSX
9	006199-000	1	SPACER, BOT, 30, GSC
10	003052-000	1	BASE TOP PLATE
11	003055-000	1	BASE CENTER SUPPORT CHANNEL
12	003054-000	1	BASE CENTER CUTOUT STIFFENER
13	003056-000	1	BASE ASSEMBLY
14	PC030031	4	ADJUSTABLE LEG
15	006198-000	1	PANEL, ACS, 30, GSC
15	007361-002	1	PANEL, ACS, 30, KICKPLATE, BK
15	007361-003	1	PANEL, ACS, 30, KICKPLATE, BT
15	007361-004	1	PANEL, ACS, 30, KICKPLATE, SG
15	007361-005	1	PANEL, ACS, 30, KICKPLATE, GG
15	007361-006	1	PANEL, ACS, 30, KICKPLATE, WH
15	007361-008	1	PANEL, ACS, 30, KICKPLATE, BU
15	007361-009	1	PANEL, ACS, 30, KICKPLATE, LE
15	007361-010	1	PANEL, ACS, 30, KICKPLATE, MJ
15	007361-012	1	PANEL, ACS, 30, KICKPLATE, VB
15	007361-013	1	PANEL, ACS, 30, KICKPLATE, CB
15	007361-015	1	PANEL, ACS, 30, KICKPLATE, PL
15	007361-016	1	PANEL, ACS, 30, KICKPLATE, CH
15	007361-017	1	PANEL, ACS, 30 KICKPLATE, TP
15	007361-018	1	PANEL, ACS, 30 KICKPLATE, CW
15	007361-019	1	PANEL, ACS, 30, KICKPLATE, OG
15	007361-020	1	PANEL, ACS, 30, KICKPLATE, GM
15	007361-021	1	PANEL, ACS, 30, KICKPLATE, SA
15	007361-022	1	PANEL, ACS, 30 KICKPLATE, SE
15	007361-023	1	PANEL, ACS, 30, KICKPLATE, IB
15	007361-024	1	PANEL, ACS, 30, KICKPLATE, AR
15	007361-025	1	PANEL, ACS, 30, KICKPLATE, RR
15	007361-026	1	PANEL, ACS, 30, KICKPLATE, PM
15	007361-027	1	PANEL, ACS, 30, KICKPLATE, MS
15	007361-051	1	PANEL, ACS, 30, KICKPLATE, CN?
16	PD020063	2	SCREW-NO.8(A) X 3/8PH WFR HD/BK OXID
17	005537-000	1	PLATE, MTG, LWR
18	005280-000	1	DISCONNECT BRKT
19	003860-000	77	NO.10-18 X .500 FASTNR,SCR,HXWH,STL,ZPLT
20	A2004429	2	OVEN BOTTOM INSUL. BRACE (VGSC306)



Ref #	Part Number	Qty.	Description
1	PD010003	8	10-24 X 1/2 PH.TR.HD.SERD.M.S.
2	PD020046	8	NO.8 X 1/2 SCREWS
3	003810-000	1	BACKGUARD TOP, SS
4	PD020056	2	NO.10-24 X 1/2 PH.TR. M.S. SS
5	006638-000	1	SHEILD, HEAT, BACKGUARD
6	002703-000	2	BACKGUARD ENDCAP
7	006637-000	1	BACKGUARD, BACK
8	006035-000	1	SUPPORT, BACK
9	006962-000	1	COVER, INL, BACK
10	006949-000	1	DUCT, AIR, ASM
11	003860-000	35	NO.10-18 X .500 FASTNR,SCR,HXWH,STL,ZPLT
12	032123-000		CABINET, BACK
13	007484-000	1	TERMINAL, BLOCK, BRACKET
14	007400-000	1	BLOCK, TERMINAL
15	PD020076	1	6-32 X 3/8 PHILL PAN MS
16	031961-000		COVER, TERM. BLOCK
17	004285-000	1	INSULATION, FOIL-BACKED,4X5
18	006952-000	1	DEFLECTOR, AIR
19	PD040005	1	SNAP BUSHING - 7/8
20	007486-000	2	PLATE, INSL
21	006961-000	1	BACK COLLAR
22	006687-000	1	REGULATOR COVER PLATE
23	007485-000	2	TRAY, INSL
NI	005516-000	1	ISLAND TRIM, BACK
NI	007489-000	2	INSULATION, REAR, SUPPORT
NI	007490-000	2	INSULATION, TRIM
NI	007491-000	2	INSULATION, SIDE PANEL
NI	032157-000	1	PANEL, OUTER, 30
NI	032131-000	1	PANEL, BACK 36
NI	032138-000	1	COVER, REAR, 36 NON-SELF-CLEAN
NI	032179-000	1	CABINET, BACK,OTR, 30
NI	032208-000	1	PANEL, BACK, OUTER, 36
NI	032238-000	1	PANEL, BACK
NI	PD040005	1	SNAP BUSHING - 7/8



Ref #	Part Number	Qty.	Description
1	000042-000	1	30 DOOR GASKET
2	PD020014	12	10X3/4 PH TR HD SMS
3	A2002189	2	DOOR GLASS STANDOFF (VDSC)
4	004691-000	1	LINER, DOOR, ASM, ASSY, GSC
5	PD010003	2	10-24 X 1/2 PH.TR.HD.SERD.M.S.
6	002740-000	2	MANSFIELD HINGE, BLUE SPRING
7	007583-000	2	BRACKET, GLASS
8	002736-000	8	NO.10-32 PAN HEAD PHILLIPS MACHINE SCREW
9	003012-00	1	RH DOOR HANDLE END CAP - SS
10	PE010016	1	NAMEPLATE, LOGO, PRO
11	023453-000	1	SVC DOOR SKIN KIT, VGSC, IC, CC 30SS
11	023454-002	1	SVC DOOR SKIN KIT, VGSC, IC, CC 30 BK
11	023454-003	1	SVC DOOR SKIN KIT, VGSC, IC, CC 30 BT
11	023454-004	1	SVC DOOR SKIN KIT, VGSC, IC, CC 30 SG
11	023454-005	1	SVC DOOR SKIN KIT, VGSC, IC, CC 30 GG
11	023454-006	1	SVC DOOR SKIN KIT, VGSC, IC, CC 30 WH
11	023454-008	1	SVC DOOR SKIN KIT, VGSC, IC, CC 30 BU
11	023454-009	1	SVC DOOR SKIN KIT, VGSC, IC, CC 30 LE
11	023454-010	1	SVC DOOR SKIN KIT, VGSC, IC, CC 30 MJ
11	023454-012	1	SVC DOOR SKIN KIT, VGSC, IC, CC 30 VB
11	023454-013	1	SVC DOOR SKIN KIT, VGSC, IC, CC 30 CB
11	023454-015	1	SVC DOOR SKIN KIT, VGSC, IC, CC 30 PL
11	023454-016	1	SVC DOOR SKIN KIT, VGSC, IC, CC 30 CH
11	023454-017	1	SVC DOOR SKIN KIT, VGSC, IC, CC 30 TP
11	023454-018	1	SVC DOOR SKIN KIT, VGSC, IC, CC 30 CW
11	023454-019	1	SVC DOOR SKIN KIT, VGSC, IC, CC 30 OG
11	023454-020	1	SVC DOOR SKIN KIT, VGSC, IC, CC 30 GM
11	023454-021	1	SVC DOOR SKIN KIT, VGSC, IC, CC 30 SA
11	023454-022	1	SVC DOOR SKIN KIT, VGSC, IC, CC 30 SE
11	023454-023	1	SVC DOOR SKIN KIT, VGSC, IC, CC 30 IB
11	023454-024	1	SVC DOOR SKIN KIT, VGSC, IC, CC 30 AR
11	023454-025	1	SVC DOOR SKIN KIT, VGSC, IC, CC 30 RR
11	023454-026	1	SVC DOOR SKIN KIT, VGSC, IC, CC 30 PM
11	023454-027	1	SVC DOOR SKIN KIT, VGSC, IC, CC 30 MS
12	002728-000	1	DOOR HANDLE - SS, 1.25 OD
13	003011-000	1	DOOR HANDLE ENDCAP ASSY, LH (CHROME)
14	004688-000	1	PANEL, INSL, DOOR, LINER
15	PD020004	1	10X3/8PH.HD.TYPE 25 REPL PD040125
16	PD020002	4	10 X 1/2 PH.TR.HD.SMS.
17	PD020063	2	SCREW-NO.8(A) X 3/8PH WFR HD/BK OXID
18	PE060064	1	WINDOW PACK, SELF CLEANING OVEN 30
19	PB070150	1	FIBERGLASS ROPE, 3/8 DIA.
20	G9102745	1	DR PG ASSY VDSC30/48 RE H9102175
21	A2007943	1	GLASSPACK BRACKET, LARGE
22	024604-000	1	INSULATION ANGLE
NI	005369-000		DOOR ASSEMBLY, VGSC530
NI	012930-002	1	DOOR, ASM, BK VGSC530
NI	012930-012	1	DOOR, ASM, VB VGSC530

*No Image
Available*

Ref #	Part Number	Qty.	Description
NI	024606-000	1	WIRE, BAKE, ELECTRODE, ASM
NI	007531-000	1	WIRE HARNESS
NI	007537-000	1	PROBE HARNESS
NI	001754-000	1	HARNESS POWER DISCONNECT
NI	PE070036	1	TIE WRAP
NI	024699-000	1	RTD JUMPER HARNESS
NI	028913-000	1	SERVICE DISCONNECT HARNESS REPLACEMENT
NI	024605-000	1	WIRE, BRL, ELECTRODE, ASM
NI	023341-000	1	IRIS HARNESS 24, 30
NI	023750-000	1	CORD, SUPPLY
NI	000647-000	1	IRIS IGNITOR WIRE, FRONT BURNER
NI	006766-000	1	IRIS IGNITOR WIRE, BACK BURNER
NI	006308-000	1	WIRE HARNESS, VGCC530 (BEFORE 1/4/11)
NI	025987-000	1	HARN, VGCC 30 (ON OR AFTER 1/4/11)
NI	031901-000	1	HARNESS, WIRE, VGSC530, SERVICE
NI	004133-000	1	CONTROL PANEL HARNESS