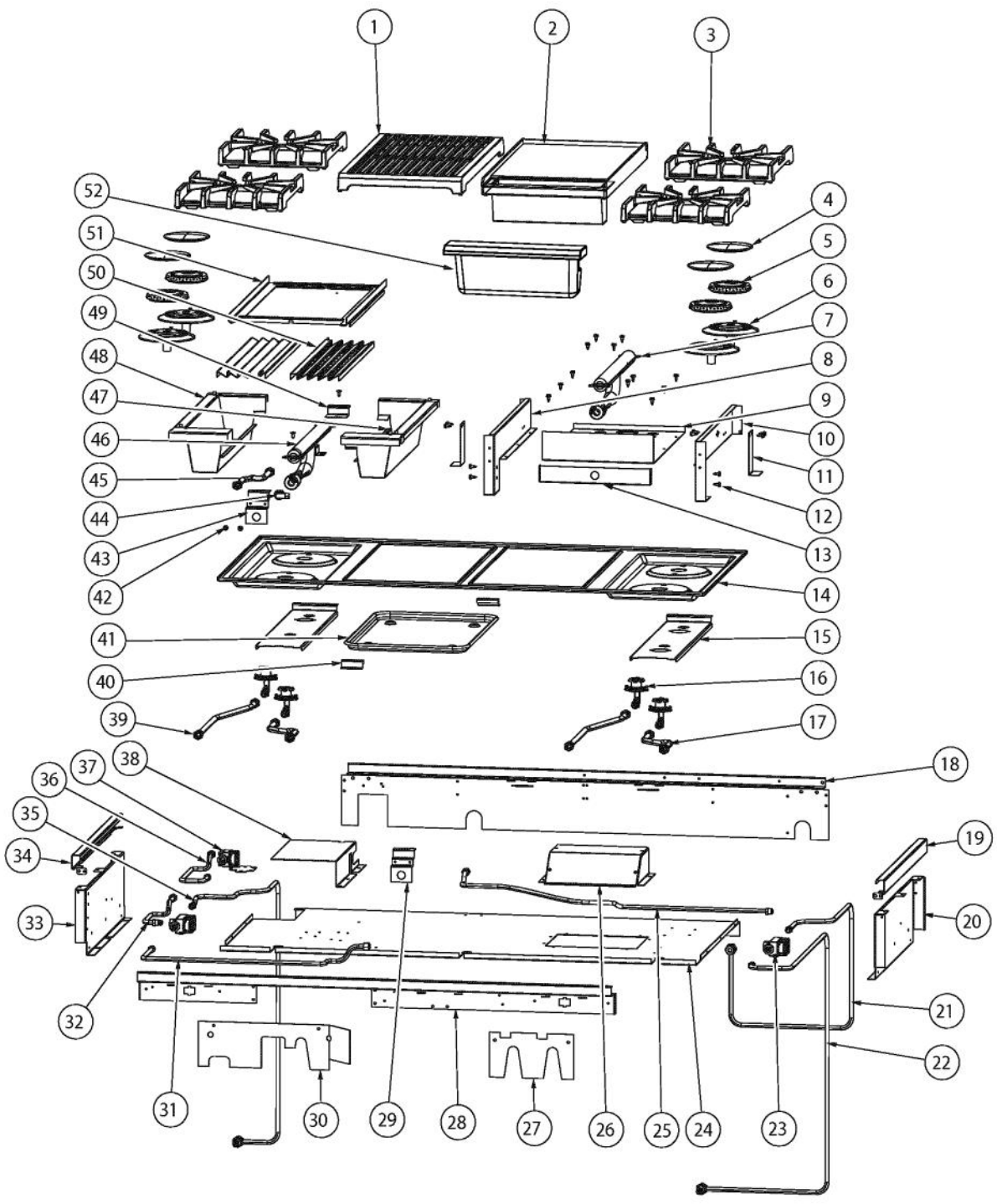
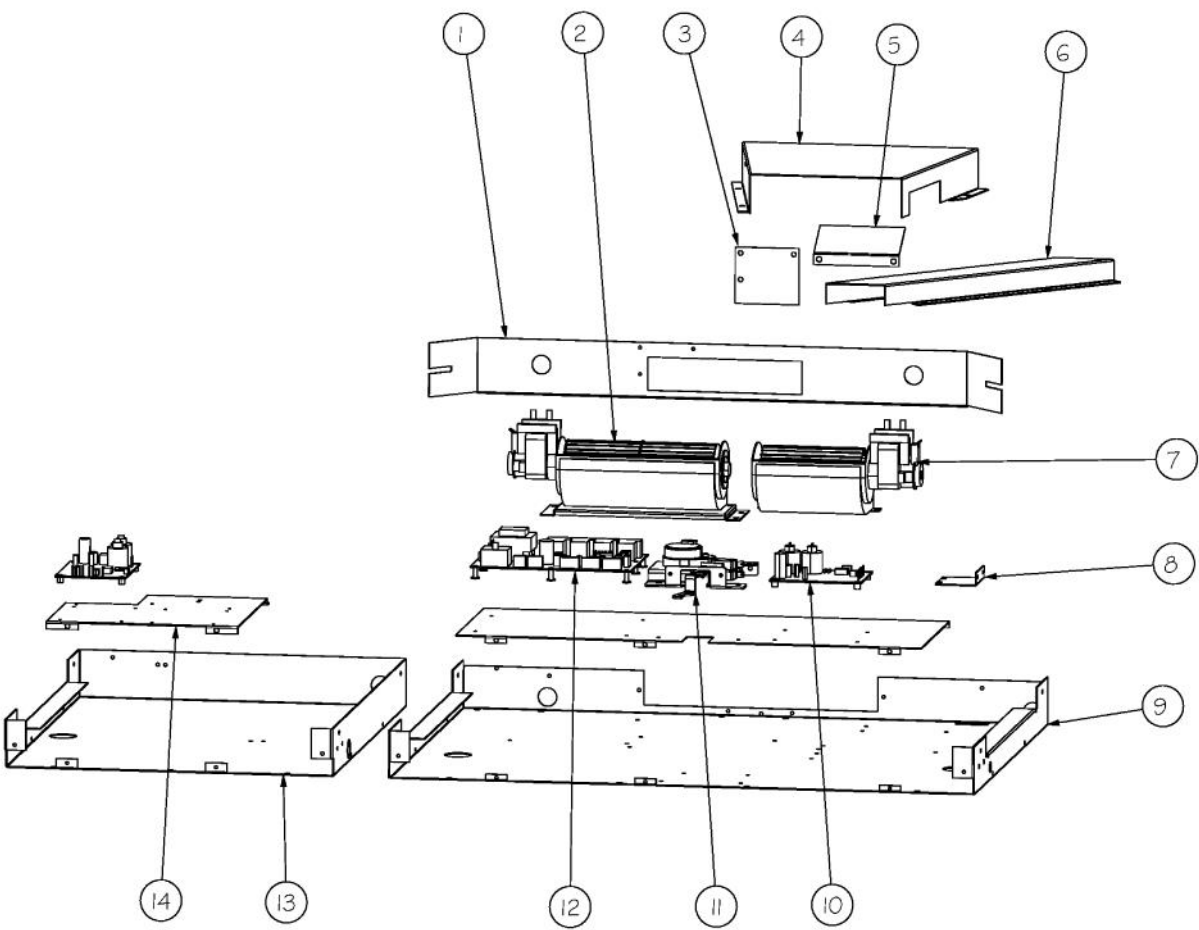


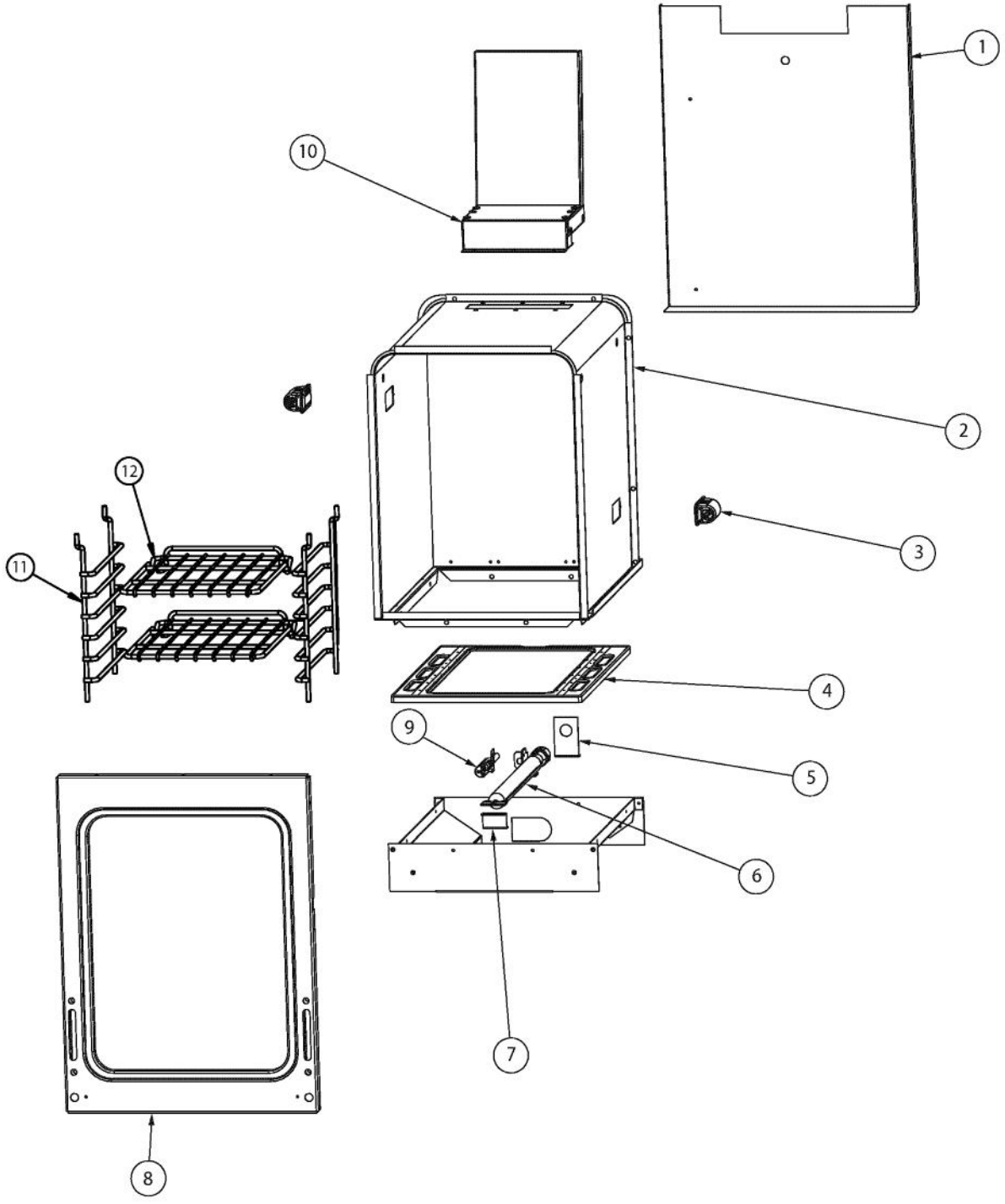
Ref #	Part Number	Qty.	Description
1	013320-000	1	VALVE, SHUTOFF, 90 DEGREE
2	PA070003	1	PRESSURE REGULATOR (NAT.)
3	PB030007	1	SHUT OFF VALVE
4	006015-000	5	VALVE, BRS, SEALED TOP - ISPHORDING
5	000336-000	3	ELECTRONIC THERMOSTAT - 2 POS.
6	PE050023	4	OVEN IND. LIGHT (LENS & BEZEL)
7	PE050024	4	OVEN IND. LIGHT (LIGHT HOUSING)
8	PJ030034	1	SELECTOR (6 POS)
9	012795-000	1	MANIFOLD,ASM,48 4GQ
10	PA020058	5	IRIS SINGLE SPARK MODULE
11	PB010304	9	KNOB BEZEL
12	005269-000	4	RANGE TOP BURNER KNOB-BRUSHED, SSS BEFORE 12/20/12
12	035881-000	4	KNOB, BNR, TOP PRO CR3 AFTER (12/20/12)
13	005270-000	1	RANGE THERMOSTAT KNOB-BRUSHED, SSS BEFORE 12/20/12
13	035893-000	1	KNOB,OVN,TSTAT, PRO VDSC/VESC CR3 AFTER (12/20/12)
14	006570-000	3	KNOB, GRDL/(LH OVEN), ASM, PVD, NO.3, SSS BEFORE 12/20/12
14	035883-000	3	KNOB,GRDL,PRO CR3
15	008819-000	1	CONTROL PANEL WELD ASSY, VGSC548-4GQ
16	PD040004	4	GROMMET BUMPER
17	PD020032	4	SRW-8(A)X3/8PH.WFR HD 7/16DIAXNICL
18	006574-000	1	KNOB, GRL, ASM, PVD, NO.3, SSS
19	011671-000	1	TRIM, FRONT
20	003719-000	1	OVEN LIGHT SWITCH, BLACK
NI	014328-000	1	COVER, RGLR, 48 GAS
NI	008415-000	1	KNOB, SEL, NO.3 SSS, ASM, VGSC BEFORE 12/20/12
NI	035887-000	1	KNOB,OVN,SEL, PRO VGSC CR3 AFTER (12/20/12)



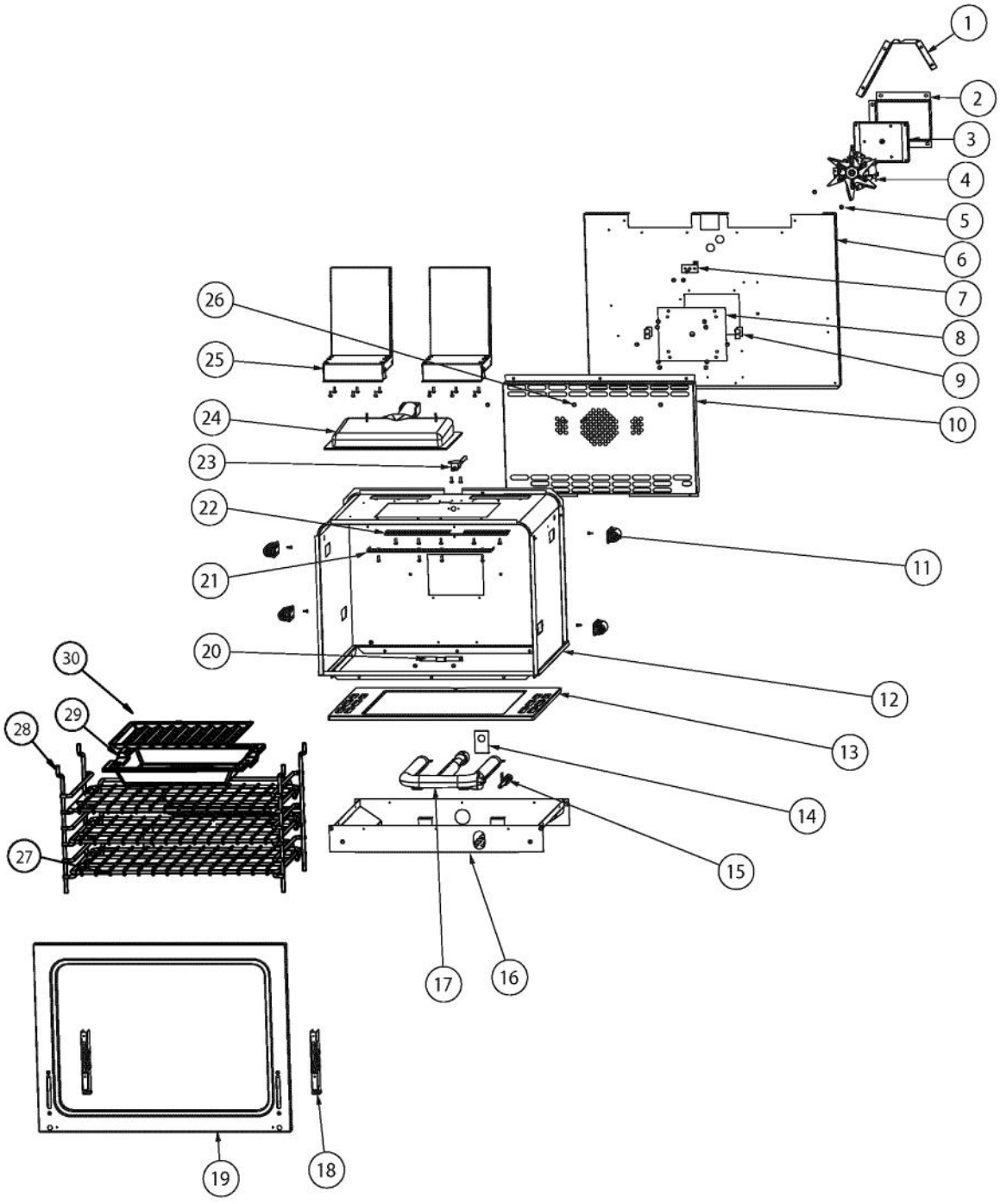
Ref #	Part Number	Qty.	Description
1	010168-000	1	CUSTOM RANGE GRILL GRATE
2	012291-000	1	GRIDDLE ASM, CUSTOM RANGES
3	007323-000	4	BURNER GRATE
4	PA080083	4	D BURNER CAP XMATTE BLACKX
5	006706-000	4	B6 REV SEALED BURNER
6	003322-041	4	SEALED BURNER BASE, PAINTED FINISH
7	008742-000	1	BURNER, GRIDDLE, CUSTOM
8	009096-000	1	LEFT GRIDDLE SUPPORT, 36
9	006780-000	1	GRIDDLE, BOX, BOTTOM
10	009097-000	1	RIGHT GRIDDLE SUPPORT, 36
11	010649-000	2	FOOT, GRIDDLE BOX , VG536-4G
12	003860-000	22	NO.10-18 X .500 FASTNR,SCR,HXWH,STL,ZPLT
13	006783-000	1	GRIDDLE BRKT, ORIFICE, CUSTOM RANGES
14	E9109803BK	1	48 SEALED COOKTOP 4BGQ XBKX
15	002923-000	2	BURNER MODULE SUPPORT
16	001394-042	4	15000 BTU NAT JETHOLDER
17	PB020192	2	10 FLEX TUBING W/CONNECTORS
18	008609-000	1	SUPPORT, BACK
19	002920-000	1	SIDE TRIM, RH - STAINLESS
20	002755-000	1	BURNER BOX SIDE, RH
21	012899-000	1	TUBING, VALVE TO BROIL ASM
22	012893-000	1	TUBING, MAIN, 48 OVEN ASM
23	009112-000	2	VALVE, SOL, DOUBLE
24	008450-000	1	PANEL, CTR
25	012871-000	1	TUBING, VALVE TO SHUT OFF ASM
26	009065-000	1	COVER, FAN, VGSC548
27	012653-000	1	SHIELD, HEAT, RIGHT HAND
28	008461-000	1	SUPPORT, FRONT
NI	051436-000	1	VGSC548-4G TROUGH KIT (FOR UNITS MANUFACTURED PRIOR TO SERIAL NO. 06111...
29	007776-000	1	MOUNT, GRILL, BURNER, FRONT
30	011073-000	1	SHIELD, HEAT, AL, GRILL, FRONT, CUST RNGS
31	011563-000	1	TUBING, BNR, 48 VALVE ASSY
32	011602-000	1	TUBING, VALVE TO MANIFOLD ASSY
33	003481-000	1	BURNER BOX SIDE, LH
34	003649-000	1	SIDE TRIM, LH - STAINLESS
35	009821-000	1	TUBING, 18 OVEN ASSY
36	011695-000	1	TUBING, VALVE TO MANIFOLD, 6Q/8B ASSY
37	009112-000	1	VALVE, SOL, DOUBLE
38	012965-000	1	COVER, SOL, LRG
39	PB020193	2	16 FLEX TUBING W/CONNECTORS
40	008286-000	2	BRACKET,DRIP,PAN,CUSTOM,Q-MODELS
41	PB080061	1	GREASE PAN
42	PD020046	4	NO.8 X 1/2 SCREWS
43	007776-000	1	MOUNT, GRILL, BURNER, FRONT
44	PB040238	1	90 DEGREE ORIFICE FITTING, NAT NO.47
45	PB020192	1	10 FLEX TUBING W/CONNECTORS
46	007878-000	1	BURNER, GRIL, ASM
47	013593-000	1	PAN, DRIP, ASM, RIGHT
48	013135-000	1	HARNESS, SENSOR
49	008636-000	1	BRACKET, BURNER, GRILL, REAR
50	E9101130BK	2	GRILL SMOKE GENERATOR
51	012897-000	1	PLATE, SMK, GENERATOR, ASM
52	012165-700	1	TROUGH, GRS, ASM, COATED
NI	013408-000	1	GRIDDLE HEADER
NI	012235-000	1	ELECTRONIC THERMOSTAT - 2 POS. W/O LEADS



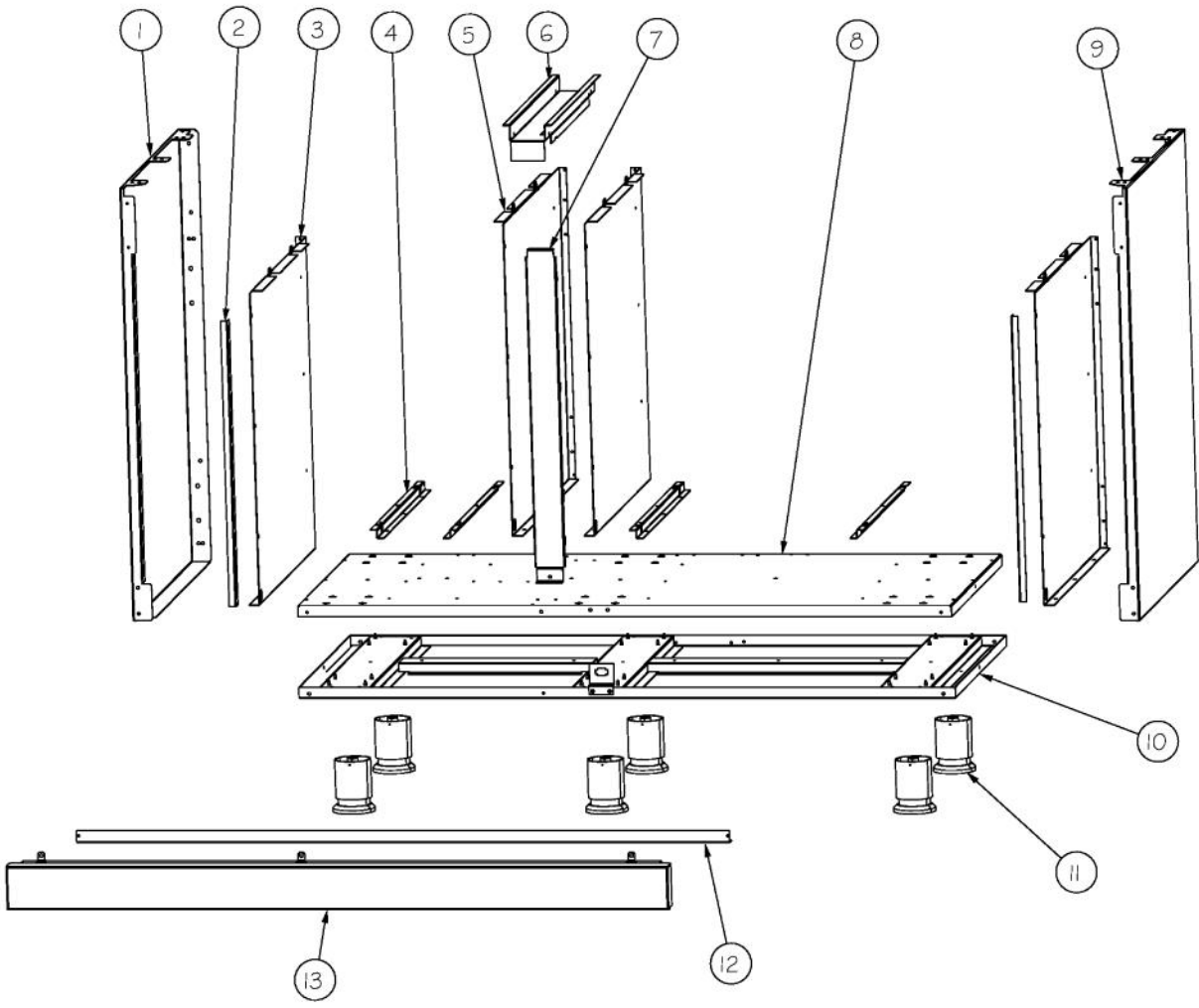
Ref #	Part Number	Qty.	Description
1	006114-000	1	DIVIDER, AIR
2	PE050250	1	PREMIUM BLOWER WITH HES
3	008420-000	1	FAN COVER PLATE
4	005464-000	1	DUCT, VENT
5	006952-000	1	DEFLECTOR, AIR
6	006950-000	1	DUCT, VENT
7	007794-000	1	COOLING FAN, VDSC 18
8	A20012649	1	DOOR SWITCH BRACKET
9	004628-000	1	TOP, CAB
10	PA020056	2	TYTRONICS DSI MODULE (BEFORE 12/29/10)
10	023651-000	2	DSI120 LONG PURGE (ON OR AFTER 12/29/10)
11	012565-000	1	MOTORIZED DOOR LATCH
12	007497-000	1	CONTROL BOARD EOC2
NI	016916-000	1	EOC BOARD W/INSTRUCTIONS
13	007374-000	1	TOP, LH CAB, VGSC 48
14	008011-000	1	36 ELECTRONIC PLATE



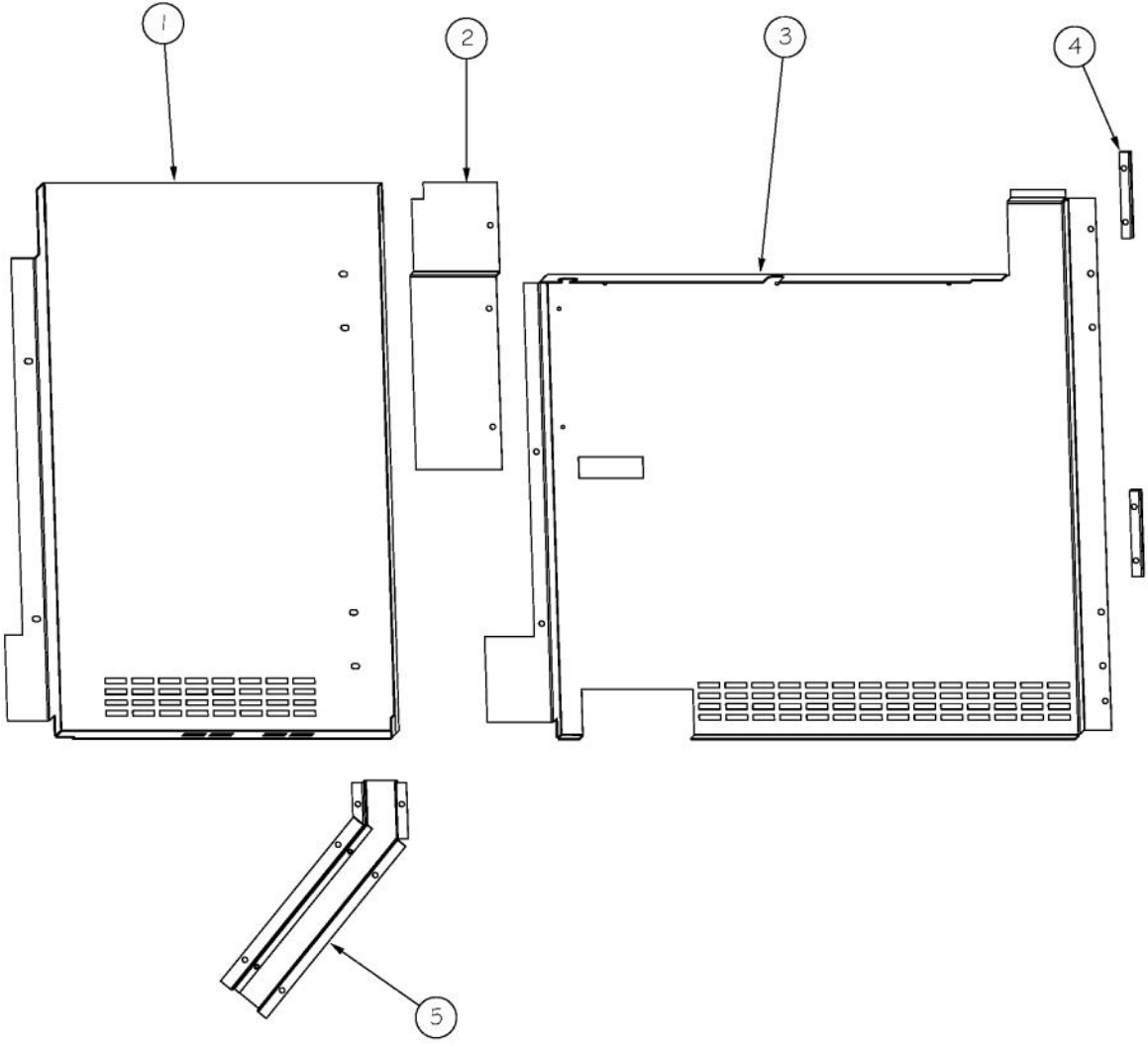
Ref #	Part Number	Qty.	Description
1	007705-000	1	COVER, INSIDE BACK, VGSC 18
2	NON SEVICEABLE	1	OVEN CAVITY, 48 LH PORC ASM
3	005311-000	2	120V/25W HALOGEN LIGHT
4	G3205588	1	OVEN BOTTOM PAN ASSY 48LH
5	005529-000	1	BAKE ORIFICE MTG BRKT (BEFORE 2/11/13)
5	040736-000	1	BRKT, ORF (ON OR AFTER 2/11/13)
6	009225-000	1	BURNER ASM, NAT.
7	B2004415	1	BURNER BRACKET (VGSC306)
8	023093-000	1	FRONT FRAME, ASSY
9	PB040170	1	BAKE IGNITION ELECTRODE
10	006192-000	1	VENT, ASM, OVEN ASSEMBLY
11	PB060030	2	RACK SUPT REPL PB060010
12	PB060046	2	OVEN RK VDSC48-LH REPL PB060023
NI	023943-000	1	KIT,FRNT FRAME, BRNR BRKT, DOOR BRKT ASM



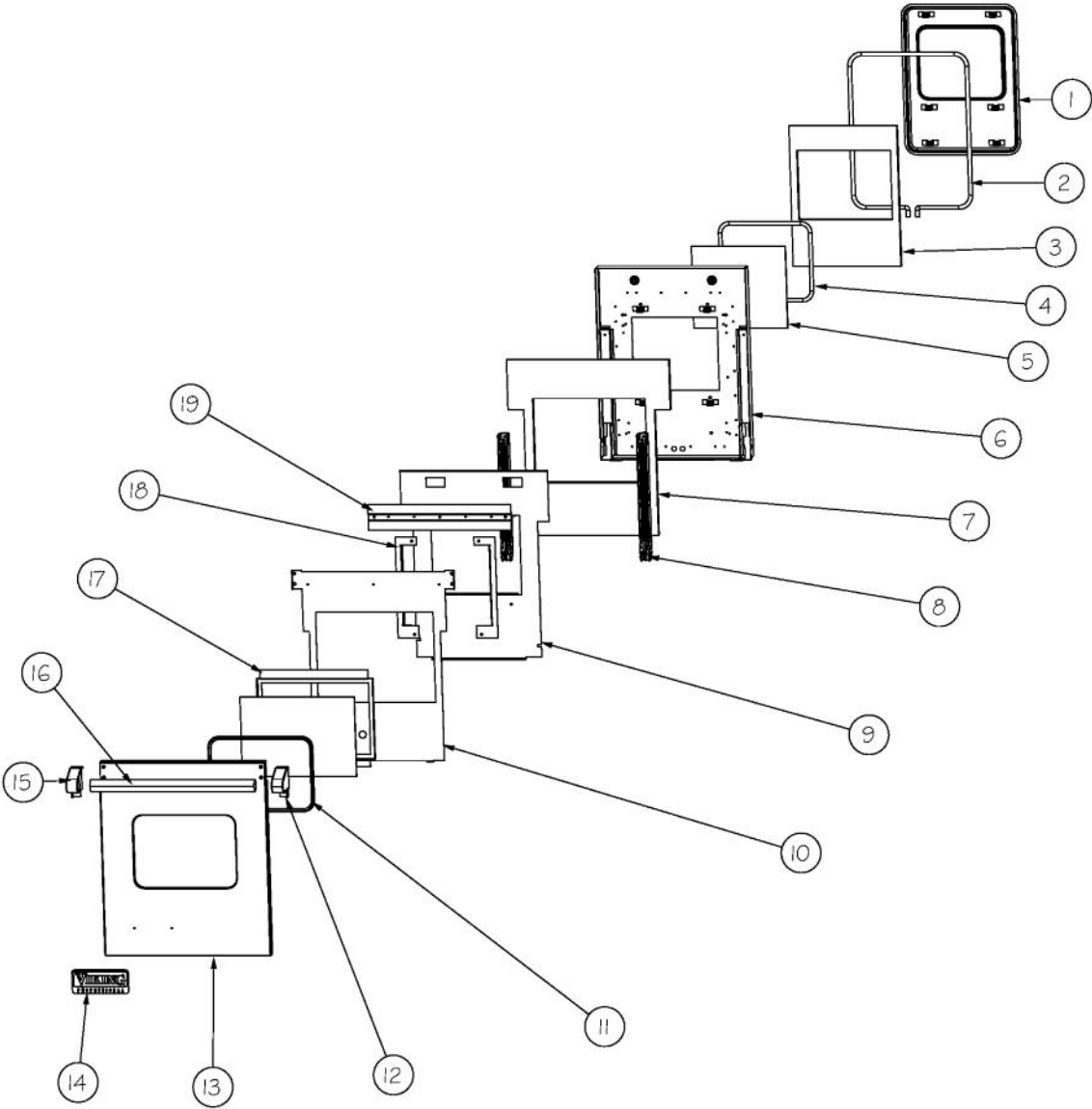
Ref #	Part Number	Qty.	Description
1	006946-000	1	SHIELD, BRL, EXHAUST
2	A2008467	1	INSULATION SHIELD NO LONGER USED ON THIS MODEL
3	A2002595	1	CONVECTION FAN BOX (VDSC)
4	PE050057	1	CONVECTION FAN (VGSC306) (BEFORE 8/31/11)
4	023090-000		MOTOR, CONV ASM? (ON OR AFTER 8/31/11)
5	PD020048	41	NO.10 X 1/2 TEK 410 SS SCREW
6	020404-000	1	INSULATION, BACK, PANEL, 30
7	PE050206	1	RTD THERMOSTAT PROBE
8	A1002596	1	CONVECTION FAN COVER (VDSC)
9	A2001361	2	BACK SPACER (VGSC/VGSS)
10	G9104482	1	CONVECTION FAN COVER ASSY (VGSC306)
11	005311-000	4	120V/25W HALOGEN LIGHT
12	NON SEVICEABLE	1	OVEN CAVITY, 48 LH PORC ASM
13	G9104438	1	OVEN BOTTOM PAN ASSY (VGSC306)
NI	A2004439	1	OVEN BOTTOM SHIELD (VGSC306)
14	005529-000	1	BAKE ORIFICE MTG BRKT
15	PB040170	1	BAKE IGNITION ELECTRODE
16	005102-000	1	BURNER PAN ASSEMBLY
17	005329-000	1	BURNER, OVEN, ASM
18	031679-000	2	RECEPTACLE, HINGE
19	005373-000	1	30 FRONT FRAME WELD ASSY
20	A2004428	1	REAR BOTTOM BRCKT (VGSC306) (BEFORE 8/31/11)
21	B2001448	1	IR BROIL SUPT (FRONT)
22	B2005589	1	REAR BROILER BRACKET
23	PB040171	1	BROIL IGNITION ELECTRODE
24	G3001876	1	IR BURNER ASSY (VGSC/RC) N/S
25	006192-000	2	VENT, ASM, OVEN ASSEMBLY
26	M0210443	2	SCREW-E SM
27	PB060044	3	OVEN RK VDSC30/48RH REPL PB060019
28	PB060030	2	RACK SUPT REPL PB060010
29	E9107933	1	BROILER PAN
30	E9107934	1	BROILER PAN INSERT



Ref #	Part Number	Qty.	Description
1	003588-000	1	SIDE PANEL, LH
2	005536-000	2	TRIM
3	004482-000	2	INSULATION, PNL, SIDE, LH
4	A2004429	4	OVEN BOTTOM INSUL. BRACE (VGSC306)
5	004479-000	2	INSULATION, PNL, SIDE, RH
6	008638-000	1	OVEN DIVIDER
7	009820-000	1	TRIM, CTR, GAS 48 ASM
8	007193-000	1	BASE TOP PLATE
9	002905-000	1	SIDE PANEL, RH, SST
10	024942-000	1	BASE, BOT, 48 GAS
11	PC030031	6	ADJUSTABLE LEG
12	009280-000	1	SPACER, BOT, 48 GAS RANGES
13	009568-000	1	KICKPLATE, RNG, SST, VDSC 48
NI	007400-000	1	BLOCK, TERMINAL
NI	031961-000	1	COVER, TERM. BLOCK

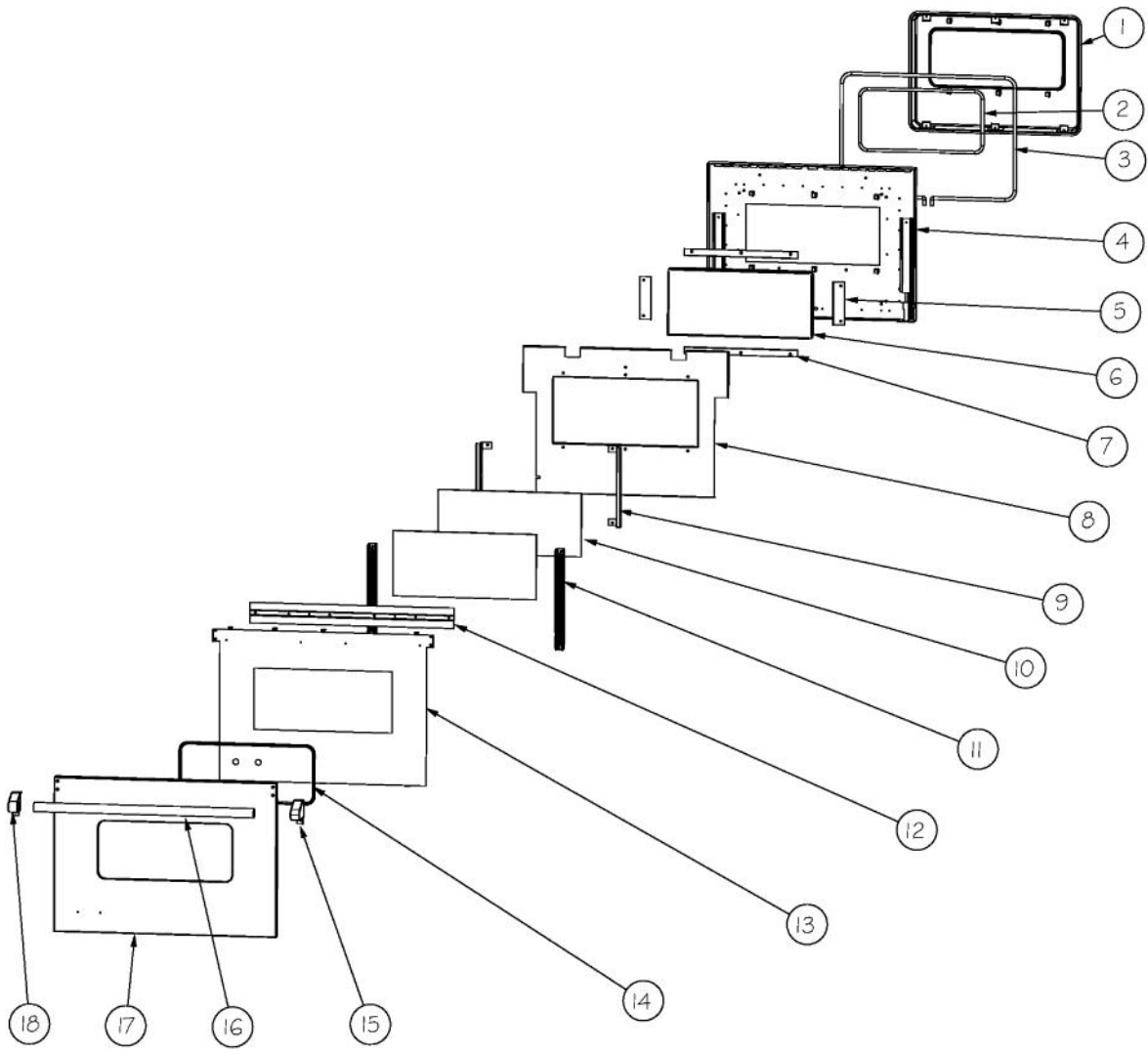


Ref #	Part Number	Qty.	Description
1	007701-000	1	COVER, 18 BACK VGSC
2	006962-000	1	COVER, INL, BACK
3	032123-000	1	CABINET, BACK
4	006744-000	2	STANDOFF, CAB, VGSC
5	006949-000	1	DUCT, AIR, ASM



Ref #	Part Number	Qty.	Description
1	000943-000	1	PLUG, DOOR, WELD 48 LH
2	000080-000	1	48 LH DOOR GASKET
3	PB070145	1	SUPERWOOL 5 X 24 X 3`
4	PB070150	1	FIBERGLASS ROPE, 3/8 DIA.
5	PE060032	2	GLASS (HEAT BARRIER) LH DF48DOOR
6	007221-000	1	LINER, DOOR, WELD ASM
7	PB070145	1	SUPERWOOL 5 X 24 X 3`
8	013303-000	2	HINGE,DOOR,VR 18 YELLOW SPRING
9	007202-000	1	DOOR, INNER HEAT SINK, VGCC/SC 48 LH
10	007222-000	1	PANEL, INSL, DOORSKIN, VGSC 18
11	PE060046	1	J-MOLD LH SS (DF48 DOOR) MUST ORDER ITEM NO. 13
12	003012-000	1	DOOR HANDLE ENDCAP ASSY, RH (CHROME)
13	019975-000	1	48 DOOR SKIN SRV KIT LH
13	020038-002	1	LH DOOR SKIN KIT SRV, VGSC548 BK
13	020038-003	1	LH DOOR SKIN KIT SRV, VGSC548 BT
13	020038-004	1	LH DOOR SKIN KIT SRV, VGSC548 SG
13	020038-005	1	LH DOOR SKIN KIT SRV, VGSC548 GG
13	020038-006	1	LH DOOR SKIN KIT SRV, VGSC548 WH
13	020038-008	1	LH DOOR SKIN KIT SRV, VGSC548 BU
13	020038-009	1	LH DOOR SKIN KIT SRV, VGSC548 LE
13	020038-010	1	LH DOOR SKIN KIT SRV, VGSC548 MJ
13	020038-012	1	LH DOOR SKIN KIT SRV, VGSC548 VB
13	020038-013	1	LH DOOR SKIN KIT SRV, VGSC548 CB
13	020038-015	1	LH DOOR SKIN KIT SRV, VGSC548 PL
13	020038-016	1	LH DOOR SKIN KIT SRV, VGSC548 CH
13	020038-017	1	LH DOOR SKIN KIT SRV, VGSC548 TP
13	020038-018	1	LH DOOR SKIN KIT SRV, VGSC548 CW
13	020038-019	1	LH DOOR SKIN KIT SRV, VGSC548 OG
13	020038-020	1	LH DOOR SKIN KIT SRV, VGSC548 GM
13	020038-021	1	LH DOOR SKIN KIT SRV, VGSC548 SA
13	020038-022	1	LH DOOR SKIN KIT SRV, VGSC548 SE
13	020038-023	1	LH DOOR SKIN KIT SRV, VGSC548 IB
13	020038-024	1	LH DOOR SKIN KIT SRV, VGSC548 AR
13	020038-025	1	LH DOOR SKIN KIT SRV, VGSC548 RR
13	020038-026	1	LH DOOR SKIN KIT SRV, VGSC548 PM
13	020038-027	1	LH DOOR SKIN KIT SRV, VGSC548 MS
14	PE010030	1	LOGO, 6, PRO, BK
15	003011-000	1	DOOR HANDLE ENDCAP ASSY, LH (CHROME)
16	006221-000	1	18 DOOR HANDLE, SST
17	008336-000	1	FRAME, GL MUST ORDER ITEM NO. 13
18	009830-000	2	RETAINER, INSL, LH
19	006225-000	1	BRACKET, DOOR, ASM, MT, VDSC 18
NI	007243-000	1	DOOR ASM, VGCC/SC LH SIDE (18)
NI	007241-002	1	DOOR ASM, VGCC/SC548 LH, BK
NI	007241-003	1	DOOR ASM, VGCC/SC548 LH, BT
NI	007241-004	1	DOOR ASM, VGCC/SC548 LH, SG
NI	007241-005	1	DOOR ASM, VGCC/SC548 LH, GG
NI	007241-006	1	DOOR ASM, VGCC/SC548 LH, WH
NI	007241-007	1	DOOR ASM, VGCC/SC548 LH, AL
NI	007241-008	1	DOOR ASM, VGCC/SC548 LH, BU
NI	007241-009	1	DOOR ASM, VGCC/SC548 LH, LE
NI	007241-010	1	DOOR ASM, VGCC/SC548 LH, MJ
NI	007241-011	1	DOOR ASM, VGCC/SC548 LH, FG
NI	007241-012	1	DOOR ASM, VGCC/SC548 LH, VB
NI	007241-013	1	DOOR ASM, VGCC/SC548 LH, CB
NI	007241-014	1	DOOR ASM, VGCC/SC548 LH, EP
NI	007241-015	1	DOOR ASM, VGCC/SC548 LH, PL
NI	007241-016	1	DOOR ASM, VGCC/SC548 LH, CH

Ref #	Part Number	Qty.	Description
NI	007241-016	1	DOOR ASM, VGCC/SC548 LH, CH
NI	007241-017	1	DOOR ASM, VGCC/SC548 LH, TP
NI	007241-018	1	DOOR ASM, VGCC/SC548 LH, CW
NI	007241-019	1	DOOR ASM, VGCC/SC548 LH, OG
NI	007241-020	1	DOOR ASM, VGCC/SC548 LH, GM
NI	007241-021	1	DOOR ASM, VGCC/SC548 LH, SA
NI	007241-022	1	DOOR ASM, VGCC/SC548 LH, SE
NI	007241-023	1	DOOR ASM, VGCC/SC548 LH, IB
NI	007241-024	1	DOOR ASM, VGCC/SC548 LH, AR
NI	007241-025	1	DOOR ASM, VGCC/SC548 LH, RR
NI	007241-026	1	DOOR ASM, VGCC/SC548 LH, PM
NI	007241-027	1	DOOR ASM, VGCC/SC548 LH, MS
NI	007243-100	1	DOOR ASM, VGCC/SC548 LH, SSB
NI	007241-102	1	DOOR ASM, W/LOGO LH, BK/BR
NI	007241-103	1	DOOR ASM, W/LOGO LH, BT/BR
NI	007241-104	1	DOOR ASM, W/LOGO LH, SG/BR
NI	007241-105	1	DOOR ASM, W/LOGO LH, GG/BR
NI	007241-106	1	DOOR ASM, W/LOGO LH, WH/BR
NI	007241-107	1	DOOR ASM, W/LOGO LH, AL/BR
NI	007241-108	1	DOOR ASM, W/LOGO LH, BU/BR
NI	007241-109	1	DOOR ASM, W/LOGO LH, LE/BR
NI	007241-110	1	DOOR ASM, W/LOGO LH, MJ/BR
NI	007241-111	1	DOOR ASM, W/LOGO LH, FG/BR
NI	007241-112	1	DOOR ASM, W/LOGO LH, VB/BR
NI	007241-113	1	DOOR ASM, W/LOGO LH, CB/BR
NI	007241-114	1	DOOR ASM, W/LOGO LH, EP/BR
NI	007241-115	1	DOOR ASM, W/LOGO LH, PL/BR
NI	007241-116	1	DOOR ASM, W/LOGO LH, CH/BR
NI	007241-117	1	DOOR ASM, W/LOGO LH, TP/BR
NI	007241-118	1	DOOR ASM, W/LOGO LH, CW/BR
NI	007241-119	1	DOOR ASM, W/LOGO LH, OG/BR
NI	007241-120	1	DOOR ASM, W/LOGO LH, GM/BR
NI	007241-121	1	DOOR ASM, W/LOGO LH, SA/BR
NI	007241-122	1	DOOR ASM, W/LOGO LH, SE/BR
NI	007241-123	1	DOOR ASM, W/LOGO LH, IB/BR
NI	007241-124	1	DOOR ASM, W/LOGO LH, AR/BR
NI	007241-125	1	DOOR ASM, W/LOGO LH, RR/BR
NI	007241-126	1	DOOR ASM, W/LOGO LH, PM/BR
NI	007241-127	1	DOOR ASM, W/LOGO LH, MS/BR



Ref #	Part Number	Qty.	Description
1	G9102745	1	DR PG ASSY VDSC30/48 RE H9102175
2	PB070150	1	FIBERGLASS ROPE, 3/8 DIA.
3	000042-000	1	30 DOOR GASKET
4	004691-000	1	LINER, DOOR, ASM, ASSY, GSC
5	A2002189	2	DOOR GLASS STANDOFF (VDSC)
6	PE060064	1	WINDOW PACK, SELF CLEANING OVEN 30
7	A2007943	1	GLASSPACK BRACKET, LARGE
8	004688-000	1	PANEL, INSL, DOOR, LINER
9	004687-000	2	BRACKET, WDO
10	NOTFIELDREPLACE...	2	BURNER, IND, MODULE, 4B MUST ORDER ITEM NO.17
11	002740-000	2	MANSFIELD HINGE, BLUE SPRING
12	006553-000	1	DOOR BRACKET, WELD ASSY
13	004684-000	1	PANEL, DOOR, INSULATION, GSC
14	PE060031	1	J-MOLD (LARGE WINDOW) MUST ORDER ITEM NO.17
15	003012-000	1	DOOR HANDLE ENDCAP ASSY, RH (CHROME)
16	002728-000	1	DOOR HANDLE - SS, 1.25 OD
17	023649-000	1	48 DOOR SKIN SRV KIT, RH SS
17	020032-003	1	48 DOO SKIN SRV KIT, RH BT
17	020032-004	1	48 DOO SKIN SRV KIT, RH SG
17	020032-005	1	48 DOO SKIN SRV KIT, RH GG
17	020032-006	1	48 DOO SKIN SRV KIT, RH WH
17	020032-008	1	48 DOO SKIN SRV KIT, RH BU
17	020032-009	1	48 DOO SKIN SRV KIT, RH LE
17	020032-010	1	48 DOO SKIN SRV KIT, RH MJ
17	020032-012	1	48 DOO SKIN SRV KIT, RH VB
17	020032-013	1	48 DOO SKIN SRV KIT, RH CB
17	020032-015	1	48 DOO SKIN SRV KIT, RH PL
17	020032-016	1	48 DOO SKIN SRV KIT, RH CH
17	020032-017	1	48 DOO SKIN SRV KIT, RH TP
17	020032-018	1	48 DOO SKIN SRV KIT, RH CW
17	020032-019	1	48 DOO SKIN SRV KIT, RH OG
17	020032-020	1	48 DOO SKIN SRV KIT, RH GM
17	020032-021	1	48 DOO SKIN SRV KIT, RH SA
17	020032-022	1	48 DOO SKIN SRV KIT, RH SE
17	020032-023	1	48 DOO SKIN SRV KIT, RH IB
17	020032-024	1	48 DOO SKIN SRV KIT, RH AR
17	020032-027	1	48 DOO SKIN SRV KIT, RH MS
18	003011-000	1	DOOR HANDLE ENDCAP ASSY, LH (CHROME)
NI	008144-000	1	DOOR ASM, VGSC548 RH W/O LOGO HOLES, SST
NI	009823-002	1	DOOR ASM, 30, W/O LOGO, BK
NI	009823-003	1	DOOR ASM, 30, W/O LOGO, BT
NI	009823-004	1	DOOR ASM, 30, W/O LOGO, SG
NI	009823-005	1	DOOR ASM, 30, W/O LOGO, GG
NI	009823-006	1	DOOR ASM, 30, W/O LOGO, WH
NI	009823-007	1	DOOR ASM, 30, W/O LOGO, AL
NI	009823-008	1	DOOR ASM, 30, W/O LOGO, BU
NI	009823-009	1	DOOR ASM, 30, W/O LOGO, LE
NI	009823-010	1	DOOR ASM, 30, W/O LOGO, MJ
NI	009823-011	1	DOOR ASM, 30, W/O LOGO, FG
NI	009823-012	1	DOOR ASM, 30, W/O LOGO, VB
NI	009823-013	1	DOOR ASM, 30, W/O LOGO, CB
NI	009823-014	1	DOOR ASM, 30, W/O LOGO, EP
NI	009823-015	1	DOOR ASM, 30, W/O LOGO, PL
NI	009823-016	1	DOOR ASM, 30, W/O LOGO, CH
NI	009823-017	1	DOOR ASM, 30, W/O LOGO, TP
NI	009823-018	1	DOOR ASM, 30, W/O LOGO, CW
NI	009823-019	1	DOOR ASM, 30, W/O LOGO, OG
NI	009823-020	1	DOOR ASM, 30, W/O LOGO, GM

Ref #	Part Number	Qty.	Description
NI	009823-020	1	DOOR ASM, 30, W/O LOGO, GM
NI	009823-021	1	DOOR ASM, 30, W/O LOGO, SA
NI	009823-022	1	DOOR ASM, 30, W/O LOGO, SE
NI	009823-023	1	DOOR ASM, 30, W/O LOGO, IB
NI	009823-024	1	DOOR ASM, 30, W/O LOGO, AR
NI	009823-025	1	DOOR ASM, 30, W/O LOGO, RR
NI	009823-026	1	DOOR ASM, 30, W/O LOGO, PM
NI	009823-027	1	DOOR ASM, 30, W/O LOGO, MS
NI	008144-100	1	DOOR ASM, VGSC548 W/O LOGO, SSBR
NI	009823-002	1	DOOR ASM, 30, W/O LOGO, BK
NI	009823-003	1	DOOR ASM, 30, W/O LOGO, BT
NI	009823-004	1	DOOR ASM, 30, W/O LOGO, SG
NI	009823-005	1	DOOR ASM, 30, W/O LOGO, GG
NI	009823-006	1	DOOR ASM, 30, W/O LOGO, WH
NI	009823-007	1	DOOR ASM, 30, W/O LOGO, AL
NI	009823-008	1	DOOR ASM, 30, W/O LOGO, BU
NI	009823-009	1	DOOR ASM, 30, W/O LOGO, LE
NI	009823-010	1	DOOR ASM, 30, W/O LOGO, MJ
NI	009823-011	1	DOOR ASM, 30, W/O LOGO, FG
NI	009823-012	1	DOOR ASM, 30, W/O LOGO, VB
NI	009823-013	1	DOOR ASM, 30, W/O LOGO, CB
NI	009823-014	1	DOOR ASM, 30, W/O LOGO, EP
NI	009823-015	1	DOOR ASM, 30, W/O LOGO, PL
NI	009823-016	1	DOOR ASM, 30, W/O LOGO, CH
NI	009823-017	1	DOOR ASM, 30, W/O LOGO, TP
NI	009823-018	1	DOOR ASM, 30, W/O LOGO, CW
NI	009823-019	1	DOOR ASM, 30, W/O LOGO, OG
NI	009823-020	1	DOOR ASM, 30, W/O LOGO, GM
NI	009823-021	1	DOOR ASM, 30, W/O LOGO, SA
NI	009823-022	1	DOOR ASM, 30, W/O LOGO, SE
NI	009823-023	1	DOOR ASM, 30, W/O LOGO, IB
NI	009823-024	1	DOOR ASM, 30, W/O LOGO, AR
NI	009823-025	1	DOOR ASM, 30, W/O LOGO, RR
NI	009823-026	1	DOOR ASM, 30, W/O LOGO, PM
NI	009823-027	1	DOOR ASM, 30, W/O LOGO, MS

*No Image
Available*

Ref #	Part Number	Qty.	Description
NI	001754-000	1	HARNESS POWER DISCONNECT (BEFORE 12/29/10)
NI	PE070036	1	TIE WRAP
NI	024699-000	1	RTD JUMPER HARNESS
NI	000647-000	2	IRIS IGNITOR WIRE, FRONT BURNER
NI	006766-000	3	IRIS IGNITOR WIRE, BACK BURNER
NI	004133-000	1	CONTROL PANEL HARNESS
NI	007378-000	1	LIGHT SWITCH HARNESS
NI	009473-000	1	HARNESS, CONTROL 48 LH
NI	009474-000	1	HARNESS, MAIN, 48 LH (BEFORE 12/29/10)
NI	025993-000	1	HARNESS, MAIN 48 L.H. (ON OR AFTER 12/29/10)
NI	009472-000	1	HARNESS, MAIN, 48 (BEFORE 12/29/10)
NI	025992-000	1	HARNESS, MAIN 48 (ON OR AFTER 12/29/10)
NI	009475-000	1	GRIDDLE RTD HARNESS
NI	009477-000	1	LIGHT SWITCH HARNESS
NI	G4000936	2	GROUND WIRE
NI	007537-000	1	PROBE HARNESS
NI	007298-000	1	BAKE IGNITOR WIRE, ASM (BEFORE 12/29/10)
NI	024606-000	1	WIRE, BAKE, ELECTRODE, ASM (ON OR AFTER 12/29/10)
NI	006765-000	1	BROIL IGNITOR WIRE ASM (BEFORE 12/29/10)
NI	024605-000	1	WIRE, BRL, ELECTRODE, ASM (ON OR AFTER 12/29/10)
NI	PE070892	1	IRIS HARNESS - 60 (BEFORE 12/29/10)
NI	023325-000	1	IRIS HARNESS, 48 (ON OR AFTER 12/29/10)
NI	023750-000	1	CORD, SUPPLY
NI	PE070179	1	SUPPLY CORD
NI	024607-000	1	WIRE, GRDL, ELECTRODE, ASM
NI	033365-000	1	VGSC548 POWER DISCONNECT KIT (MANUFACTURED BEFORE 9/16/11)
NI	009476-000	1	HARNESS, POWER, 48 (BEFORE 12/29/10)