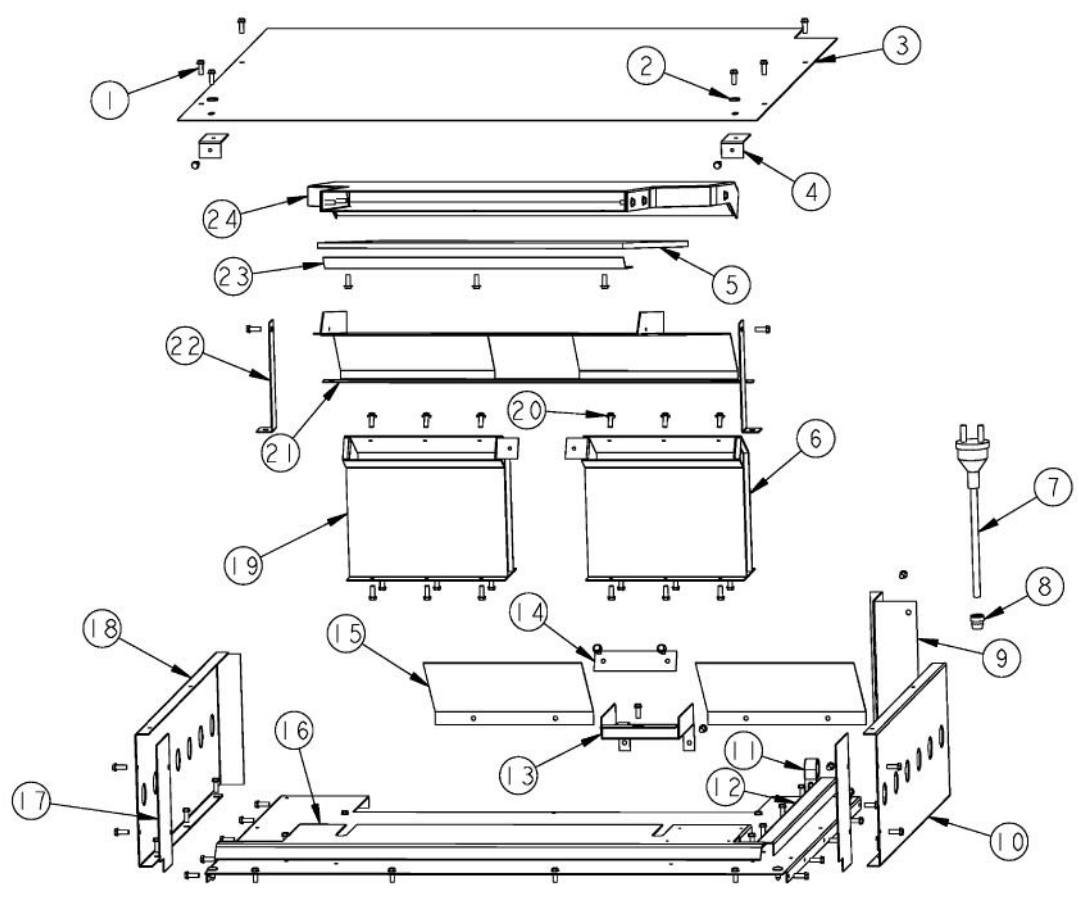
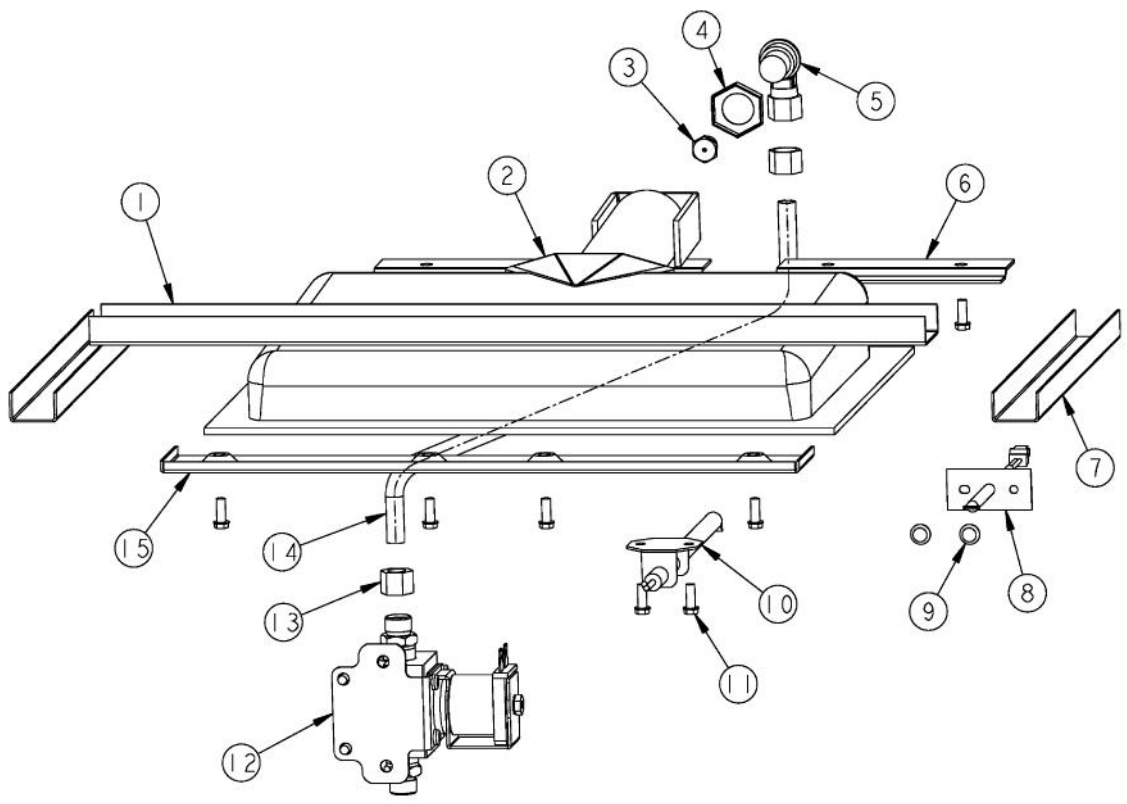


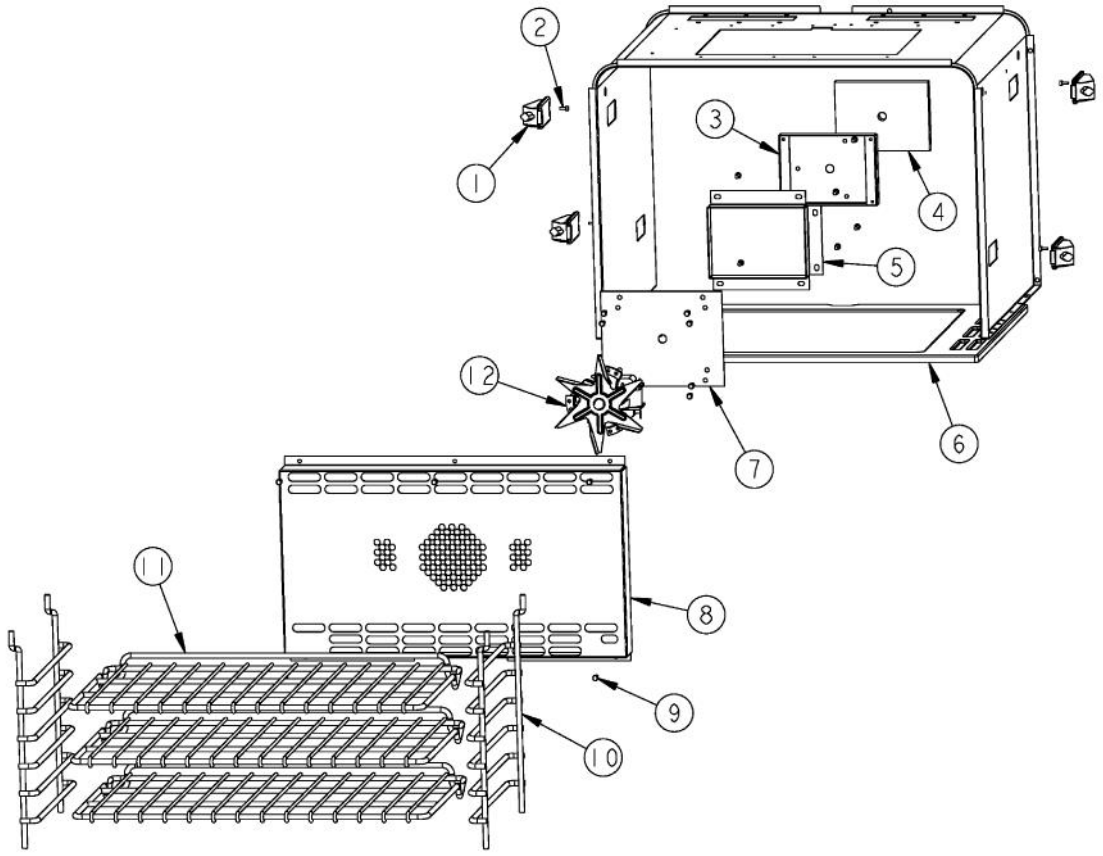
| Ref # | Part Number | Qty. | Description |
|-------|-------------|------|--|
| 1 | M0235318 | | SCREW, 8 X 7/16 UFLP |
| 2 | PE040303 | | VGSO100 TOP TRIM |
| 3 | PD020032 | | SRW-8(A)X3/8PH.WFR HD 7/16DIAXNICL |
| 4 | PD020002 | | 10 X 1/2 PH.TR.HD.SMS. |
| 5 | PD040160 | | 3/8 STEEL WASHER |
| 6 | G40015469 | | LIGHT SWITCH ASSEMBLY |
| 7 | A20010407 | | SELECTOR MOUNTING BRACKET |
| 8 | PJ030004 | | SELECTOR SWITCH (5-POSITION) VGSO |
| 9 | PE050213 | | PRO 120V DIGITAL CLOCK |
| 10 | 000691-000 | | ELECTRONIC TSTAT. 2 POS. STANDARD |
| 11 | PD020044 | | NO.8-32 X 1/4 PH. TR. HD. M.S. |
| 12 | 010757-000 | | PANEL, CTRL, INR |
| 13 | B92014426 | | CONTROL PANEL VGSO100 |
| 13 | C92014426BK | | CONTROL PANEL - BK |
| 13 | C92014426WH | | CONTROL PANEL - WH |
| 14 | PE050023 | | OVEN IND. LIGHT (LENS & BEZEL) |
| 15 | PB010304 | | KNOB BEZEL |
| 15 | PB010304PVD | | RESTYLE KNOB BEZEL, BR |
| 16 | PB010305 | | PROF. SELECTOR/THERMOSTAT KNOB |
| 16 | PB010309 | | PROF. SELECTOR/THERMOSTAT KNOB XWHX |
| 16 | 036487-000 | | KNOB, TSTAT, ASM, VGSO100 |
| 17 | PB010306 | | PROF. CLOCK BUTTON |
| 17 | PB010310 | | PROF. CLOCK BUTTON XWHX |
| 18 | PB010307 | | PROF. CLOCK KNOB |
| 18 | PB010311 | | PROF. CLOCK KNOB XWHX |
| 19 | PD020006 | | NO.6-32 X 1/4 PH.PAN HD. T(F) |
| 20 | PB010329 | | VGSO100 KNOB |
| 20 | PB010330 | | VGSO100 OVEN KNOB WHITE |
| 21 | PB010308 | | PROF. OVEN LIGHT BUTTON |
| 21 | PB010312 | | PROF. OVEN LIGHT BUTTON XWHX |
| NI | PJ030043 | 1 | BI-METAL THERMOSTAT (N.C.) 180 DEGREES |



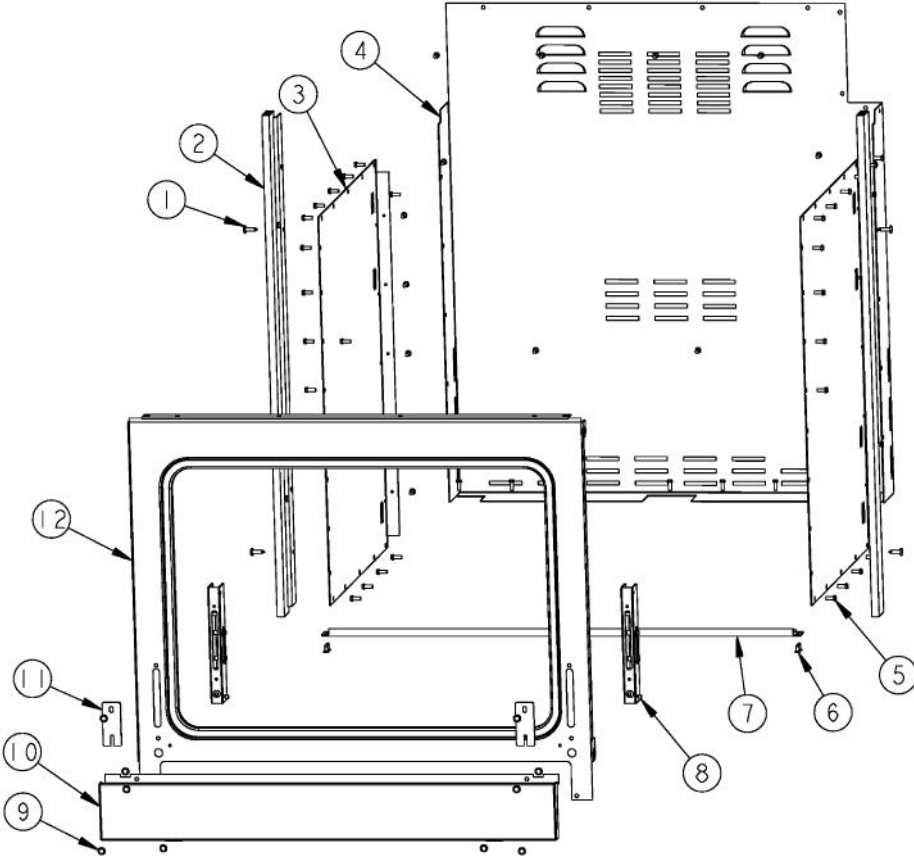
| Ref # | Part Number | Qty. | Description |
|-------|-------------|------|----------------------------------|
| 1 | PD020060 | | 10 X 1/2 (5/16)HEX WSHER HD.(T)A |
| 2 | PD040050 | | 6MM FAN WASHER |
| 3 | A20010442 | | CABINET TOP |
| 4 | A20015436 | | CONTROL PANEL BRACKET |
| 5 | PB070379 | | TOP FLUE INSULATION PAD |
| 6 | G30015438 | | FLUE ASSY |
| 7 | G4008493 | | SUPPLY CORD ASSY- VG SU |
| 8 | PE070069 | | STRAIGHT-THRU BUSHING |
| 9 | A20015459 | | BACK CORNER INSERT |
| 10 | A20010418 | | CABINET SIDE RIGHT |
| 11 | PD030109 | | INSULATED CLAMP |
| 12 | A20015471 | | WIRE CHANNEL |
| 13 | A20015442 | | BROIL BURNER, INSUL. RET. |
| 14 | A10015447 | | FLUE BRIDGE |
| 15 | A20015443 | | FLUE INSUL. RETAINER |
| 16 | L20015440 | | HEAT SHIELD |
| 17 | 010780-000 | | PNL, CTRL, INR, MT, RH |
| NI | 010781-000 | | PNL, CTRL, INR, MT, LH |
| 18 | A20010419 | | CABINET SIDE LEFT |
| 19 | G30015446 | | FLUE ASSEMBLY (LEFT) |
| 20 | PD020048 | | NO.10 X 1/2 TEK 410 SS SCREW |
| 21 | A20010416 | | FLUE SHIELD |
| 22 | A20010426 | | FLUE STANDOFF |
| 23 | B20015441 | | AIR FLUE EXTENSION |
| 24 | G30015453 | | VGSO100, TOP FLUE WELD ASSY |
| NI | PJ030014 | 1 | HEAT SENSOR (N.O.) 160 DEG. |



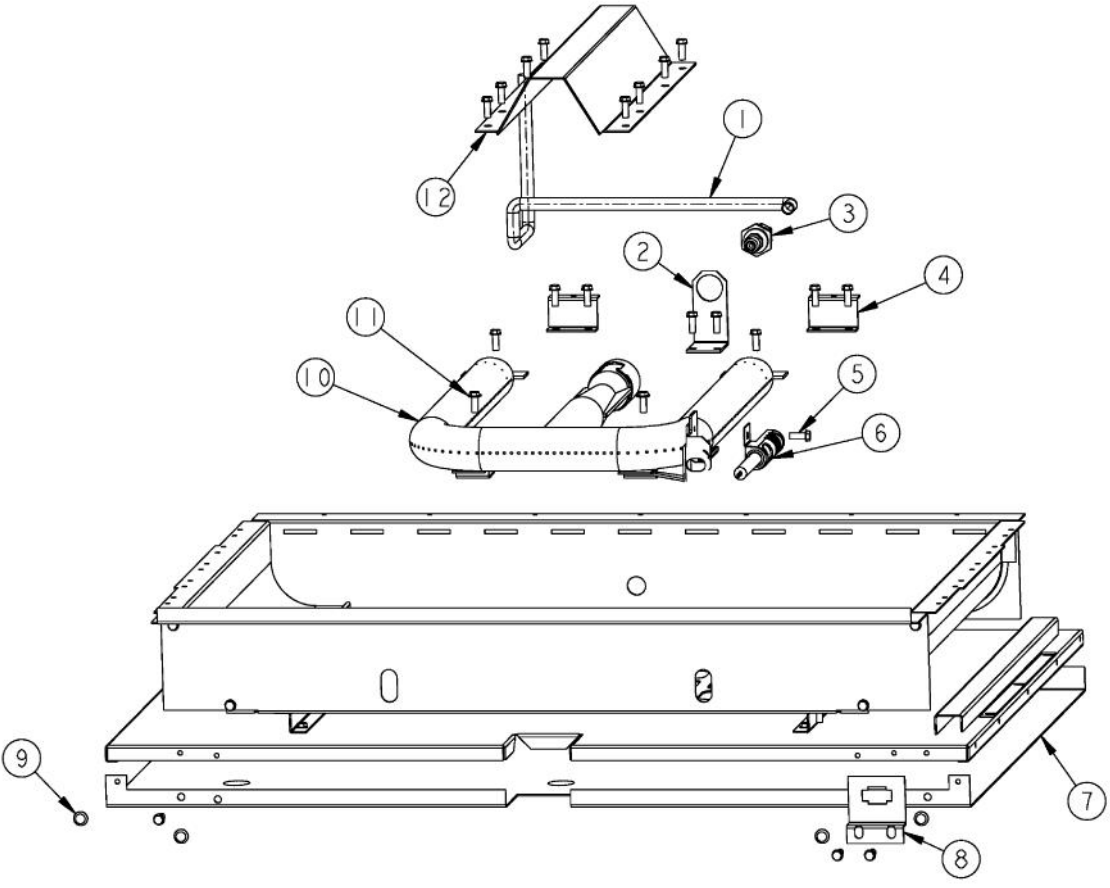
| Ref # | Part Number | Qty. | Description |
|-------|-------------|------|-------------------------------------|
| 1 | E2004409 | | TOP FRONT BRACE |
| 2 | G3001876 | | IR BURNER ASSY (VGSC/RC) N/S |
| 3 | PB040026 | | IR BURNER ORIFICE - NO.48 NAT. |
| 3 | PB040027 | | IR BUR.SPUD ORF. - NO.56 LP |
| 4 | PD030018 | | PALNUT - 3/4-16 |
| 5 | PB040178 | | 90 DEGREE ORIFICE FITTING (VGSC306) |
| 6 | B2005589 | | REAR BROILER BRACKET |
| 7 | E2004410 | | TOP SIDE BRACE |
| 8 | PE050206 | | RTD THERMOSTAT PROBE |
| 9 | PD020032 | | SRW-8(A)X3/8PH.WFR HD 7/16DIAXNICL |
| 10 | PB040171 | | BROIL IGNITION ELECTRODE |
| 11 | PD020060 | | 10 X 1/2 (5/16)HEX WSHR HD.(T)A |
| 12 | 009112-000 | | VALVE, SOL, DOUBLE |
| 13 | PB040192 | | 3/8`` CC FERREL (DGCU) |
| 14 | PB020126 | | 3/8`` S.S. FLEX TUBING 15`` (DGCU) |
| 15 | B2001448 | | IR BROIL SUPT (FRONT) |
| NI | 039137-000 | 2 | TUBING, INSUL, GAS IGNITOR |



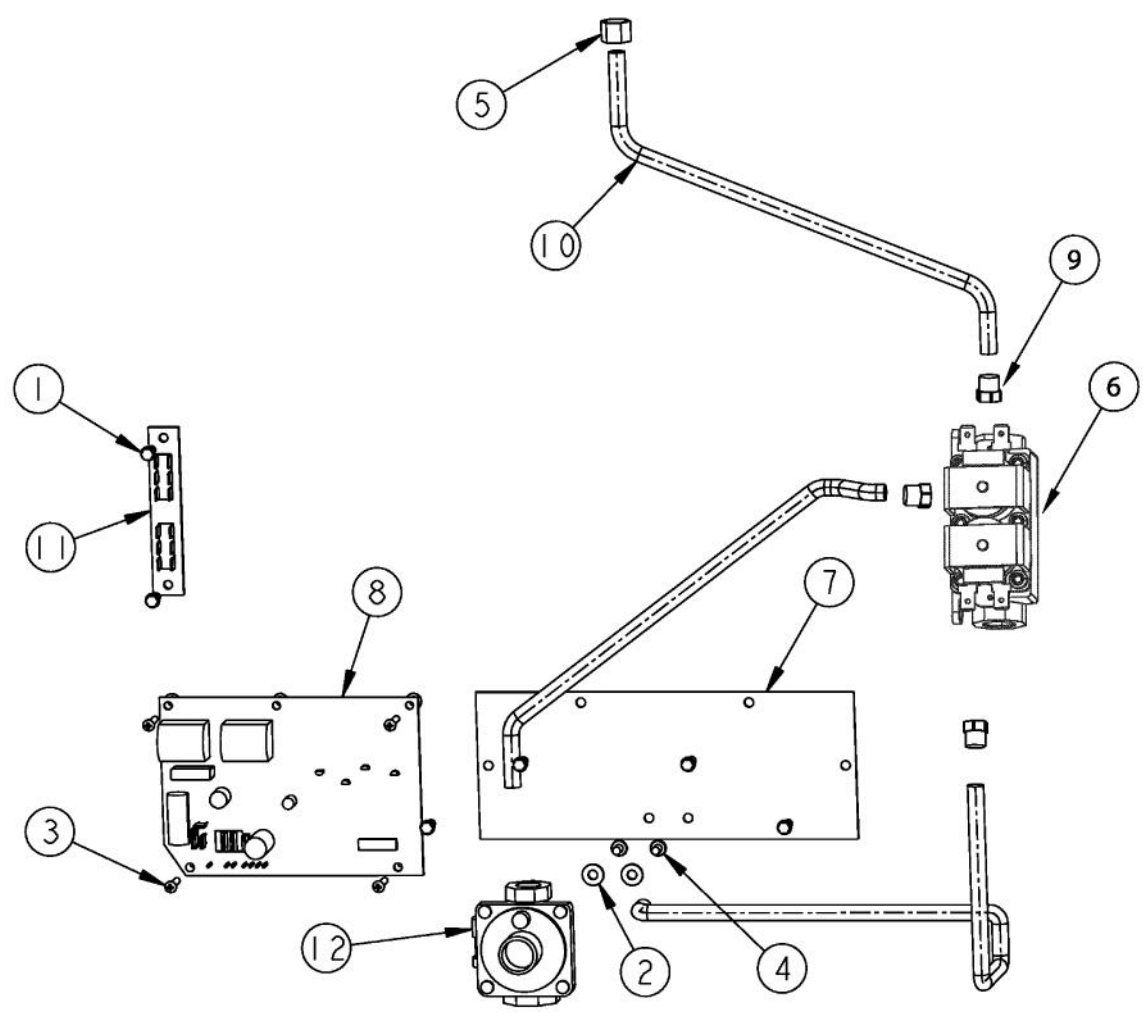
| Ref # | Part Number | Qty. | Description |
|-------|-------------|------|---|
| 1 | PE050148 | | OVEN LIGHT ASSY. W/32 CABLE |
| 2 | PD020067 | | NO.6 X 3/8 PAN PHIL. TEK SS |
| 3 | A2002595 | | CONVECTION FAN BOX (VDSC) |
| 4 | PB070208 | | CONVECTION FAN INSULATION |
| 5 | A2008467 | | INSULATION SHIELD |
| NI | 003187-000 | | FLATPAK FAN MOTOR |
| 6 | G9104438 | 1 | OVEN BOTTOM PAN ASSY (VGSC306) (BEFORE 1/2/13) |
| 6 | G9104438BK | 1 | OVEN, BOTTOM, ASM,PORCELAIN, BK (ON OR AFTER 1/2/13) |
| NI | A2004439 | 1 | OVEN BOTTOM SHIELD (VGSC306) (USED ON G9104438 AND G9104438BK) |
| 7 | A1002596 | | CONVECTION FAN COVER (VDSC) |
| 8 | G91014419 | 1 | CONVECTION FAN COVER ASSY (BEFORE 1/2/13) |
| 8 | G91014419BK | 1 | CONVECTION FAN COVER ASSY, BK (ON OR AFTER 1/2/13) |
| 9 | PD020060 | | 10 X 1/2 (5/16)HEX WSHER HD.(T)A |
| 10 | PB060030 | | RACK SUPT REPL PB060010 (BEFORE 1/2/13) |
| 10 | 030191-000 | | GUIDE, RACK (ON OR AFTER 1/2/13) |
| 11 | PB060044 | | OVEN RK VDSC30/48RH REPL PB060019 |
| 12 | PE050057 | | CONVECTION FAN (VGSC306) |



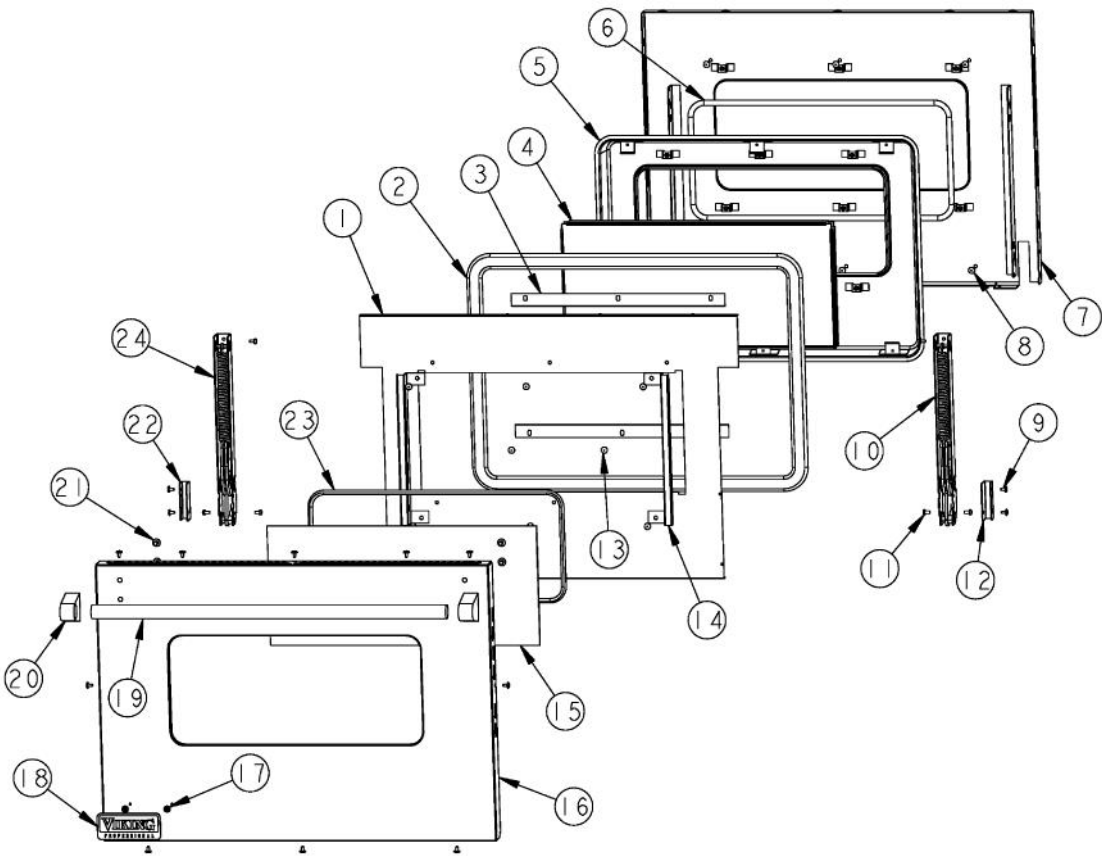
| Ref # | Part Number | Qty. | Description |
|-------|-------------|------|---|
| 1 | PD020014 | | 10X3/4 PH TR HD SMS |
| 2 | PE040228 | | VGSO100 SIDE TRIM |
| 3 | A20010409 | | SIDE INSULATION RETAINER |
| 4 | A20010428 | | CABINET BACK |
| 5 | PD020060 | | 10 X 1/2 (5/16)HEX WSHER HD.(T)A |
| 6 | M0215318 | | SCREW-SM |
| 7 | PE040320 | | BOTTOM EXTRUSION - VGSO100 |
| 8 | PC020295 | | HINGE RECEIVER ASSEMBLY |
| 9 | PD020032 | | SRW-8(A)X3/8PH.WFR HD 7/16DIAXNICL |
| 10 | B20010449 | 1 | LOWER ACCESS PANEL |
| 10 | 014250-002 | 1 | PANEL, ACS, LWR, VGSO100-BK |
| 10 | 014250-003 | 1 | PANEL, ACS, LWR, VGSO100-BT |
| 10 | 014250-004 | 1 | PANEL, ACS, LWR, VGSO100-SG |
| 10 | 014250-005 | 1 | PANEL, ACS, LWR, VGSO100-GG |
| 10 | 014250-006 | 1 | PANEL, ACS, LWR, VGSO100-WH |
| 10 | 014250-008 | 1 | PANEL, ACS, LWR, VGSO100-BU |
| 10 | 014250-009 | 1 | PANEL, ACS, LWR, VGSO100-LE |
| 10 | 014250-010 | 1 | PANEL, ACS, LWR, VGSO100-MJ |
| 10 | 014250-012 | 1 | PANEL, ACS, LWR, VGSO100-VB |
| 10 | 014250-013 | 1 | PANEL, ACS, LWR, VGSO100-CB |
| 10 | 014250-015 | 1 | PANEL, ACS, LWR, VGSO100-PL |
| 10 | 014250-016 | 1 | PANEL, ACS, LWR, VGSO100-CH |
| 10 | 014250-017 | 1 | PANEL, ACS, LWR, VGSO100-TP |
| 10 | 014250-018 | 1 | PANEL, ACS, LWR, VGSO100-CW |
| 10 | 014250-019 | 1 | PANEL, ACS, LWR, VGSO100-OG |
| 10 | 014250-020 | 1 | PANEL, ACS, LWR, VGSO100-GM |
| 10 | 014250-021 | 1 | PANEL, ACS, LWR, VGSO100-SA |
| 10 | 014250-022 | 1 | PANEL, ACS, LWR, VGSO100-SE |
| 10 | 014250-023 | 1 | PANEL, ACS, LWR, VGSO100-IB |
| 10 | 014250-024 | 1 | PANEL, ACS, LWR, VGSO100-AR |
| 10 | 014250-025 | 1 | PANEL, ACS, LWR, VGSO100-RR |
| 10 | 014250-026 | 1 | PANEL, ACS, LWR, VGSO100-PM |
| 10 | 014250-027 | 1 | PANEL, ACS, LWR, VGSO100-MS |
| 11 | B1007913 | | HINGE CLIP (DESIGNER TIME PIECE) |
| 12 | H91010411 | 1 | FRONT FRAME ASSEMBLY (BEFORE 1/2/13) |
| 12 | H91010411BK | 1 | FRAME, FRONT, ASM, BK (ON OR AFTER 1/2/13) |



| Ref # | Part Number | Qty. | Description |
|-------|-------------|------|---------------------------------------|
| 1 | PB020126 | | 3/8`` S.S. FLEX TUBING 15`` (DGPU) |
| 2 | A2004434 | | ORIFICE BRACKET (VGSC306) |
| 3 | PB040286 | | NO.38 (NAT.) BULKHEAD ORIFICE FITTING |
| 4 | B2004415 | | BURNER BRACKET (VGSC306) |
| 5 | PD020060 | | 10 X 1/2 (5/16)HEX WSHR HD.(T)A |
| 6 | PB040170 | | BAKE IGNITION ELECTRODE |
| 7 | A20010410 | | MAIN BOTTOM |
| 8 | A20015472 | | DISCONNECT POWER BRACKET |
| 9 | PD020032 | | SRW-8(A)X3/8PH.WFR HD 7/16DIAXNICL |
| 10 | PB050059 | | BAKE BURNER - NATURAL GAS |
| 11 | PD020048 | | NO.10 X 1/2 TEK 410 SS SCREW |
| 12 | A2004424 | | BURNER COVER (VGSC306) |

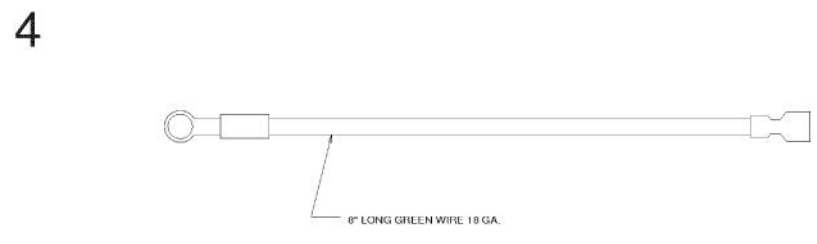
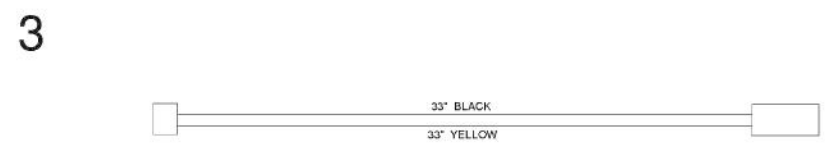
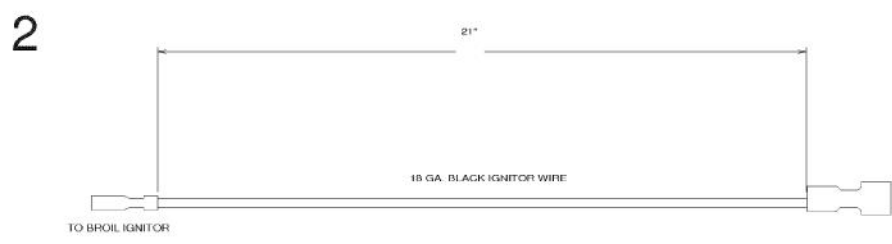


| Ref # | Part Number | Qty. | Description |
|-------|-------------|------|------------------------------------|
| 1 | PD020060 | | 10 X 1/2 (5/16)HEX WSHR HD.(T)A |
| 2 | PD040071 | | NO.8-.437 O.D. FLAT WASHER SS |
| 3 | PD020185 | | NO.6 X 1 PAN HEAD SCREW |
| 4 | PD020004 | | 10X3/8PH.HD.TYPE 25 REPL PD040125 |
| 5 | PB040192 | | 3/8`` CC FERREL (DGCU) |
| 6 | 009112-000 | 1 | VALVE, SOL, DOUBLE |
| 7 | A10015451 | | BACK INSUL. RETAINER COVER |
| 8 | PA020035 | | DSI MODULE REPL PA020027 |
| 9 | PB040050 | 3 | 3/8CC MALE COMP. FITTING W/FERRULE |
| 10 | PB020126 | | 3/8`` S.S. FLEX TUBING 15`` (DGCU) |
| 11 | PE050001 | | TERMINAL BOARD |
| 12 | PA070015 | | PRESSURE REGULATOR (VGSO100) |
| 12 | 006069-000 | | LP PRESSURE REGULATOR |



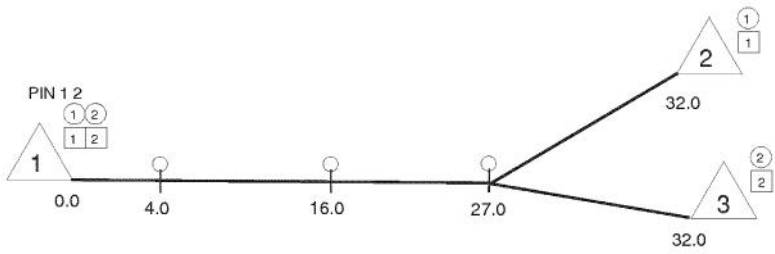
| Ref # | Part Number | Qty. | Description |
|-------|---------------|------|---|
| 1 | A20010432 | | DOOR INSULATION RETAINER |
| 2 | 012264-000 | | GASKET, DOOR |
| 3 | A2007943 | | GLASSPACK BRACKET, LARGE |
| 4 | PE060064 | | WINDOW PACK, SELF CLEANING OVEN 30 |
| 5 | G9102745 | 1 | DR PG ASSY VDSC30/48 RE H9102175 (BEFORE 1/2/13) |
| 5 | G9102745BK | 1 | PLUG,DOOR,ASM (ON OR AFTER 1/2/13) |
| 6 | PB070150 | | FIBERGLASS ROPE, 3/8 DIA. |
| 7 | G91010431 | 1 | DOOR LINER ASSY (BEFORE 1/2/13) |
| 7 | G91010431BK | 1 | LINER, DOOR, ASM, BK (ON OR AFTER 1/2/13) |
| 8 | PD020014 | | 10X3/4 PH TR HD SMS |
| 9 | PD020032 | | SRW-8(A)X3/8PH.WFR HD 7/16DIAXNICL |
| 10 | PC020226 | | MANSFIELD VDSC HINGE 30 |
| 11 | PD020004 | | 10X3/8PH.HD.TYPE 25 REPL PD040125 |
| 12 | 036839-000 | | BRACKET HINGE DOOR |
| 13 | PD020002 | | 10 X 1/2 PH.TR.HD.SMS. |
| 14 | A2002367 | | DOOR GLASS BRKT |
| 15 | PE060030 | | GLASS-OUTER DOOR BK SCREENED,TEMP |
| 16 | B20010433 | | O/S DOOR PANEL |
| 16 | C90010433AL | | O/S DOOR PANEL XALX |
| 16 | C90010433BK | | O/S DOOR PANEL XBKX |
| 16 | C90010433BT | | O/S DOOR PANEL XBTX |
| 16 | C90010433BU | | O/S DOOR PANEL XBUX |
| 16 | C90010433CB | | O/S DOOR PANEL XCBX |
| 16 | C90010433EP | | O/S DOOR PANEL XEPX |
| 16 | C90010433FG | | O/S DOOR PANEL XFGX |
| 16 | C90010433GG | | O/S DOOR PANEL XGGX |
| 16 | C90010433LE | | O/S DOOR PANEL XLEX |
| 16 | C90010433MJ | | O/S DOOR PANEL XMJX |
| 16 | C90010433SG | | O/S DOOR PANEL XSGX |
| 16 | C90010433VB | | O/S DOOR PANEL XVBX |
| 16 | C90010433WH | | O/S DOOR PANEL XWHX |
| 17 | PD030006 | | CAPPED WASHER PAL NUT |
| 18 | PE010016 | | NAMEPLATE, LOGO, PRO |
| 18 | PE010079 | | 4.5 LOGO/VIKING PROF. BK/BR |
| 18 | PE010017 | | LOGO (VGSO,VEDO,VGDO,VUD) XWH/CHR |
| 18 | PE010080 | | 4.5 LOGO/VIKING PROF XWH/BR |
| 19 | PE030179 | | 30 PROF. DOOR HANDLE |
| 19 | PE030179PVD | | 30 PROF. DOOR HANDLE XPVDX 24.907 |
| 20 | PE030001 | | BRACKET, DOOR, HANDLE |
| 20 | PE030001PVD | | END CAP DOOR HANDLE XBR |
| 21 | PD010019 | | BLT-1/4-20X3/8HEX WASHER SERATED |
| 22 | 036839-000 | | BRACKET HINGE DOOR |
| 23 | PE060031 | | J-MOLD (LARGE WINDOW) |
| 23 | PE060045 | | J-MOLD (LARGE WINDOW) XBRX |
| 24 | PC020290 | | DOOR HINGE (YELLOW) |
| NI | G32015461AL | | COMPLETE DOOR ASSY. - AL |
| NI | G32015461ALBR | | COMPLETE DOOR ASSY. - ALBR |
| NI | G32015461BK | | VGSO100 DOOR ASSY XBKX |
| NI | G32015461BKBR | | VGSO100 DOOR ASSY XBKBRX |
| NI | G32015461BT | | VGSO100 DOOR ASSY XBTX |
| NI | G32015461BTBR | | VGSO100 DOOR ASSY XBTBRX |
| NI | G32015461BU | | VGSO100 DOOR ASSY XBUX |
| NI | G32015461BUBR | | VGSO100 DOOR ASSY XBUBRX |
| NI | G32015461CB | | VGSO100 DOOR ASSY XCBX |
| NI | G32015461CBBR | | VGSO100 DOOR ASSY XCBBRX |
| NI | G32015461EP | | COMPLETE DOOR ASSY. - EP |

| Ref # | Part Number | Qty. | Description |
|-------|---------------|------|----------------------------|
| NI | G32015461EP | | COMPLETE DOOR ASSY. - EP |
| NI | G32015461EPBR | | COMPLETE DOOR ASSY. - EPBR |
| NI | G32015461FG | | COMPLETE DOOR ASSY. - FG |
| NI | G32015461FGBR | | COMPLETE DOOR ASSY. - FGBR |
| NI | G32015461GG | | VGSO100 DOOR ASSY XGGX |
| NI | G32015461GGBR | | VGSO100 DOOR ASSY XGGBRX |
| NI | G32015461LE | | VGSO100 DOOR ASSY XLEX |
| NI | G32015461LEBR | | VGSO100 DOOR ASSY XLEBRX |
| NI | G32015461MJ | | VGSO100 DOOR ASSY XMJX |
| NI | G32015461MJBR | | VGSO100 DOOR ASSY XMJBRX |
| NI | G32015461SG | | VGSO100 DOOR ASSY XSGX |
| NI | G32015461SGBR | | VGSO100 DOOR ASSY XSGBRX |
| NI | G32015461SS | | VGSO100 DOOR ASSY |
| NI | G32015461SSBR | | VGSO100 DOOR ASSY XSSBRX |
| NI | G32015461VB | | VGSO100 DOOR ASSY XVBX |
| NI | G32015461VBBR | | VGSO100 DOOR ASSY XVBBRX |
| NI | G32015461WH | | VGSO100 DOOR ASSY XWHX |
| NI | G32015461WHBR | | VGSO100 DOOR ASSY XWHBRX |



| Ref # | Part Number | Qty. | Description |
|-------|-------------|------|-------------------|
| 1 | G40015380 | | IGNITOR WIRE - 36 |
| 2 | G40015381 | | IGNITOR WIRE - 21 |
| 3 | PE070868 | | RTD WIRE |
| 4 | G4000936 | | GROUND WIRE |

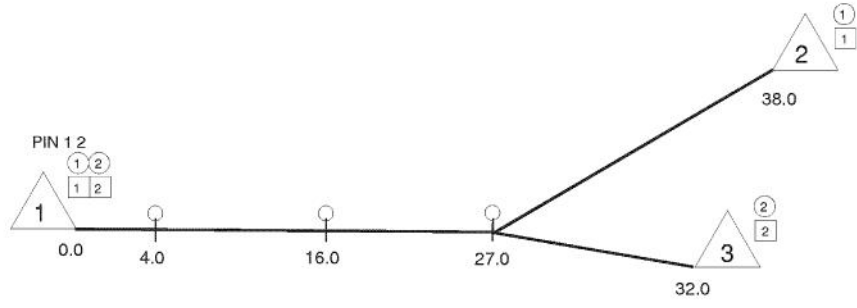
1



NOTE:

| | |
|----------------------|------------------|
| △ = HARNESS LOCATION | ○ = LARGE TYWRAP |
| ○ = ITEM | — = SMALL TYWRAP |
| □ = RUN LOCATION | ★ = DOUBLE CRIMP |

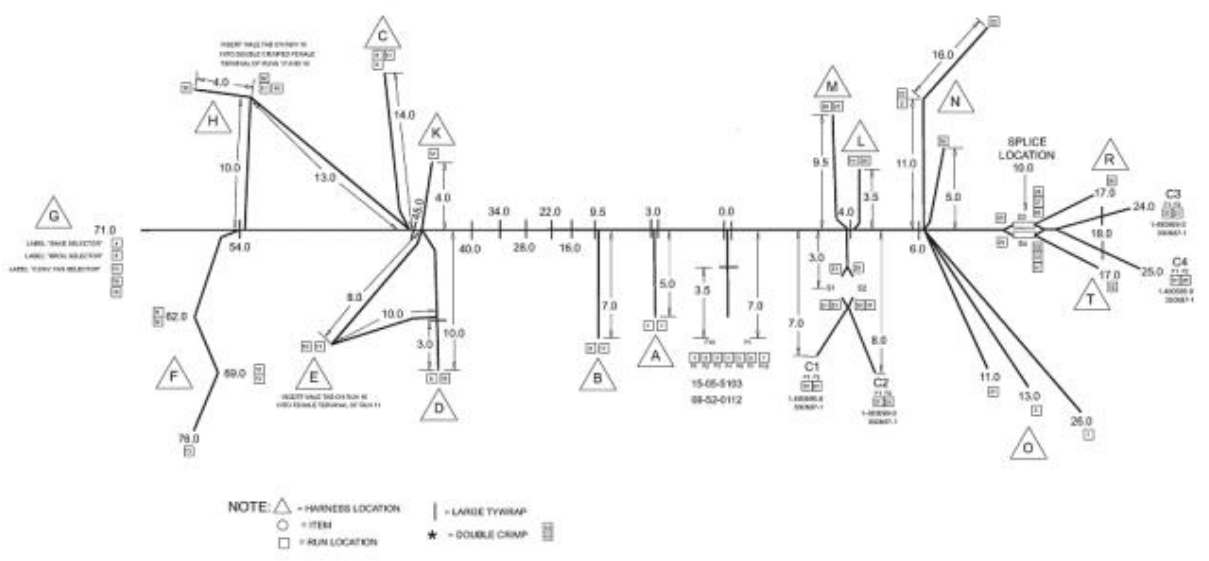
2



NOTE:

| | |
|----------------------|------------------|
| △ = HARNESS LOCATION | ○ = LARGE TYWRAP |
| ○ = ITEM | — = SMALL TYWRAP |
| □ = RUN LOCATION | ★ = DOUBLE CRIMP |

| Ref # | Part Number | Qty. | Description |
|-------|-------------|------|-----------------------------------|
| 1 | PE070615 | | HARNESS - DISCONNECT POWER (CAP) |
| 2 | PE070616 | | HARNESS - DISCONNECT POWER (PLUG) |



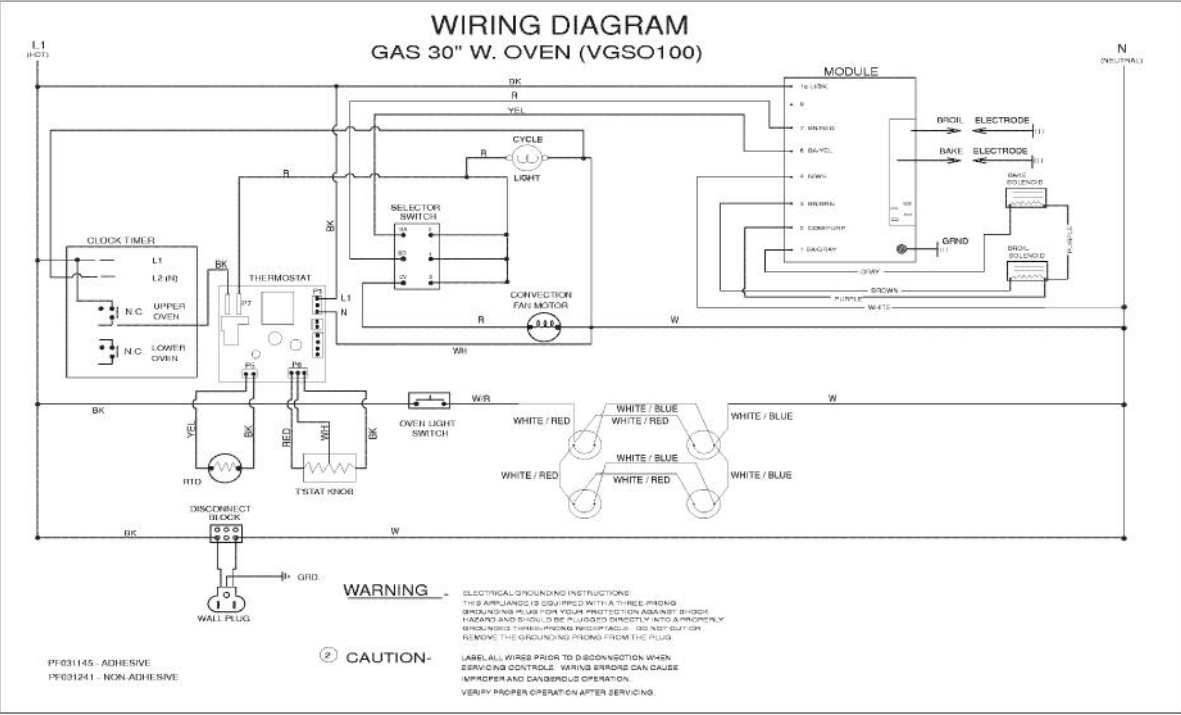
| Ref # | Part Number | Qty. | Description |
|-------|-------------|------|-------------------|
| 1 | PE070841 | | HARNESS - VGSO100 |

*No Image
Available*

| Ref # | Part Number | Qty. | Description |
|-------|-------------|------|--------------------------------|
| NI | 031287-000 | 1 | 2-FAN SERVICE KIT, VGSO100 ASM |

*No Image
Available*

| Ref # | Part Number | Qty. | Description |
|-------|-------------|------|--|
| NI | 039436-000 | 1 | TC-0081-SP PARTS KIT (AFTER SER. NO. 072711C00029673) |



| Ref # | Part Number | Qty. | Description |
|-------|-------------|------|-------------|
|-------|-------------|------|-------------|
