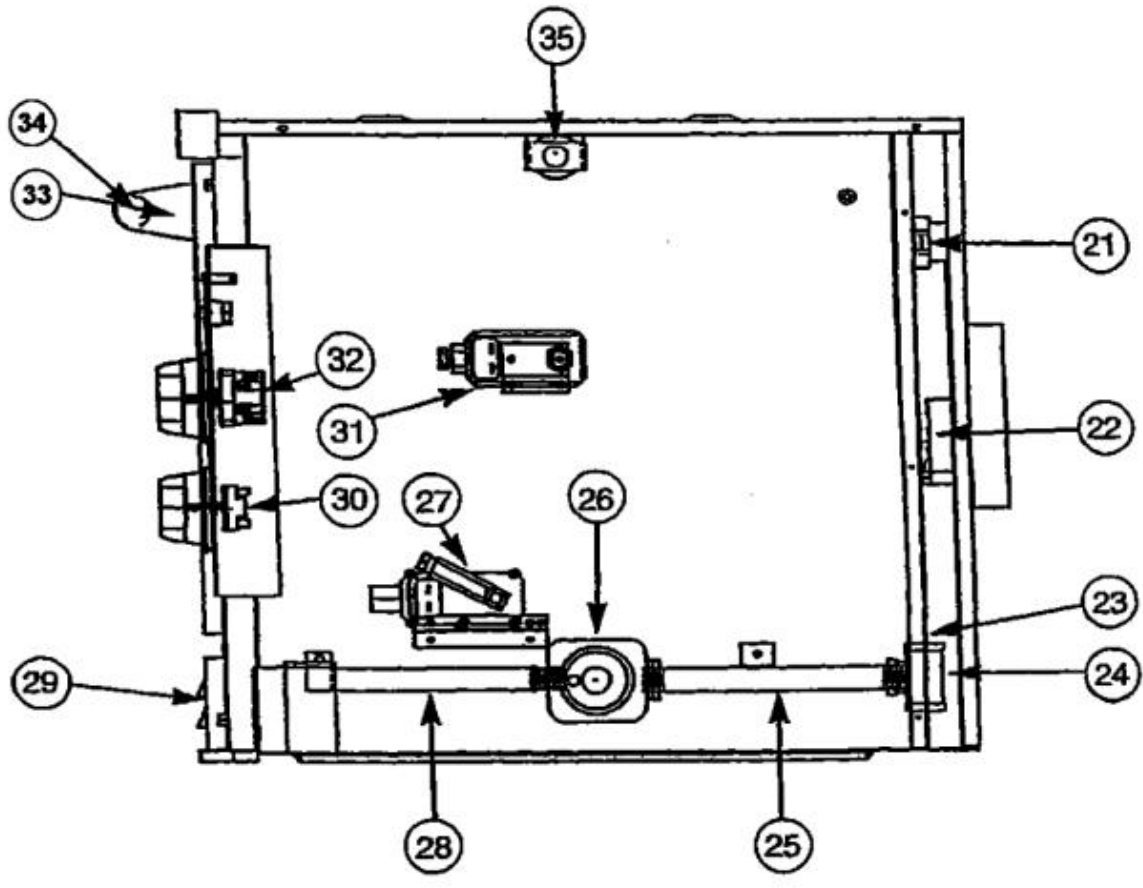
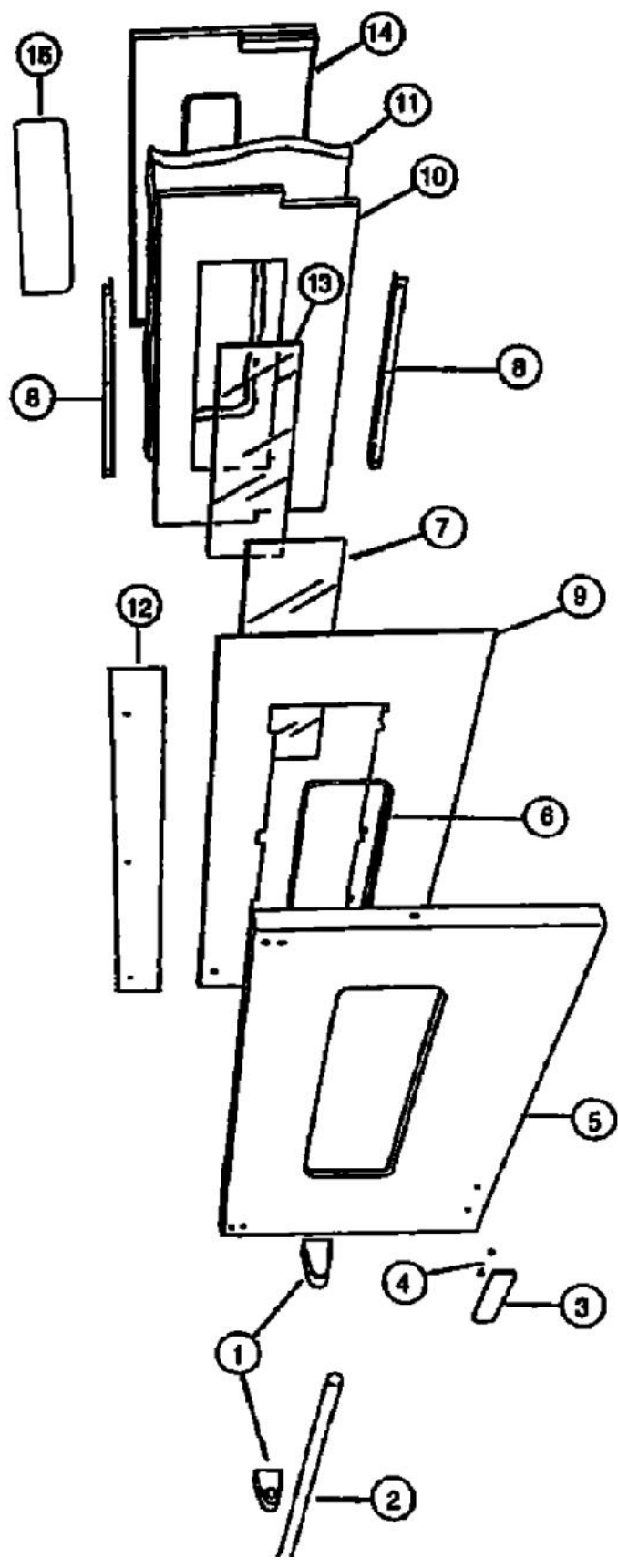


Ref #	Part Number	Qty.	Description
1	G3000859		TOP TRIM ASSY. (VGSO165)
	PE040011		TOP TRIM - VGSO165
2	G9100961		CONVECTION FAN COVER ASSY. - 36B-I
3	PE050003		OVEN LIGHT BULB
4	B2000831		CONTROL PANEL TRIM
	B2001085		CONTROL PANEL TRIM (VGSO) FORMED
	C9000831BK		CTRL PAN TRIM - XBKX 36 B-IN
	C9000831WH		CTRL PAN TRIM - XWHX 36 B-IN
	C9001085AL		CTRL PAN TRIM XALX (VGSO165)
	C9001085BK		CTRL PAN TRIM XBKX (VGSO165)
	C9001085BU		CTRL PAN TRIM XBUX (VGSO165)
	C9001085FG		CTRL PAN TRIM XFGX (VGSO165)
	C9001085PL		CTRL PAN TRIM XPLX (VGSO165)
	C9001085VB		CTRL PAN TRIM XVBX (VGSO165)
	C9001085WH		CTRL PAN TRIM XWHX (VGSO165)
5	PE050015		OVEN INDICATOR LIGHT (NO WIRE)
6	PE050016		OVEN LIGHT SWITCH - XBKX (WES-GAR)
	PE050017		OVEN LIGHT SWITCH - XWHX (WES-GAR)
7	PB010093		T/STAT BAK/BROL KNB-XBKX-VGSO-(VELO
	PB010094		T/STAT BAK/BROL KNB-XWHX-VGSO-(VELO
8	PB010097		CONVECTION KNOB-XBKX-VGSO-(VELOX)
	PB010098		CONVECTION FAN KNOB - WH
9	PB010032		KNOB BEZEL
	PB010085		KNOB BEZEL
10	B9200849		CONTROL PANEL-(VGSO) XSLK SCRXX
11	PE060010		J-MOLD - 1/2 RAD. VGSO CNTL.PANEL
	PE060019		J-MOLD (CONTROL PNL TRIM) XBRX
12	PB030002		SUB TO 003862-000 - SHUTOFF VALVE
13	PB050007		OVEN TUBE BURNER
14	PB040001		IGNITOR - (ALL RANGES)
15	B2000806		BOTTOM TRIM - 36 B-IN FORMED
	PE040013		BTM TRIM - VGSO165
16	G9101618		OVEN BTM.PAN ASSY REVISED(VGSO165)
17	PC020003		HINGE ASSY (BLUE)
18	PB060011		OVEN RACK
19	PB060006		OVEN RACK SUPT - 36 WALL OVEN
20	B2001454		SIDE TRIM REPL B2001082
	C9001454AL		SIDE TRIM - XALX (VGSO165)
	C9001454BK		SIDE TRIM - XBKX (VGSO165)
	C9001454BU		SIDE TRIM - XBUX (VGSO165)
	C9001454FG		SIDE TRIM - XFGX (VGSO165)
	C9001454PL		SIDE TRIM - XPLX (VGSO165)
	C9001454VB		SIDE TRIM - XVBX (VGSO165)
	C9001454WH		SIDE TRIM - XWHX (VGSO165)



Ref #	Part Number	Qty.	Description
21	PE050009		OVEN LIGHT SOCKET - 36 BUILT-IN
22	PE050005		CONVECTION FAN ASSY
23	PA050032		PIPE PLUG - 1/2
24	PA050031		PIPE TEE - 1/2 FEMALE
25	G3000890		INLET PIPE ASSY. - 36 BUILT-IN
26	PA070001		PRESSURE REGULATOR (NAT.)
27	PB010033		DUAL THERMAL VALVE - 36 BUILT-IN
28	G3000804		SUB TO PA050035 - MANIFOLD WELD ASSY. - VGSO165
29	B2000819		KICK PLATE - S.S. 36 BUILT-IN OVEN
	B2001083		KICKPLATE (VGSO) FORMED
	C9000819BK		LOWER ACC PAN - XBKX 36 BUILT-IN
	C9000819WH		LOWER ACC PAN - XWHX 36 BUILT-IN
	C9001083AL		LOWER ACC PAN XALX (VGSO165)
	C9001083BK		LOWER ACC PAN XBKX (VGSO165)
	C9001083BU		LOWER ACC PAN XBUX (VGSO165)
	C9001083FG		LOWER ACC PAN XFGX (VGSO165)
	C9001083PL		LOWER ACC PAN XPLX (VGSO165)
	C9001083VB		LOWER ACC PAN XVBX (VGSO165)
	C9001083WH		LOWER ACC PAN XWHX (VGSO165)
30	PE050008		CONVECTION SWITCH
31	PB010034		SINGLE THERMAL VALVE - 36 BUILT-IN
32	PB010036		THERMOSTAT BAKE/BROIL
33	PE030001		BRACKET, DOOR, HANDLE
	PE030001PVD		END CAP DOOR HANDLE XBR
34	PE030005		DOOR HANDLE - VGSC30/RC60/RC48RH
	PE030013		DOOR HANDLE - BR
35	G3000889		I/R BURNER ASSEMBLY - 36 BUILT-IN
NI	PB070015		DOOR GASKET - VGSO165
NI	E9100830		FLAME SPREADER - 36 BUILT-IN OVEN
NI	A2000832		HINGE BRACKET - R.H. 36 BUILT-IN
NI	A2000833		HINGE BRACKET - L.H. 36 BUILT-IN
NI	E9100862		OVEN LINER HINGE COVER - 36B-IN
NI	E9100840		INSIDE OVEN LINER - 36 B-IN
NI	PD030001		SUB TO PD030011
NI	PE070068		SUPPLY CORD (BEFORE 2/95)
	PE070128		SUPPLY CORD (VGRT/SC/SS/RC)
NI	PE070070		DISCONNECT BLOCK XALX 770020-1
NI	PE070071		DISCONNECT BLOCK XALX 770027-1
NI	E9101459		OVEN LINER EXTENSION-LH (VGSO165)
NI	E9100815		LINER EXTENTION R.H.
NI	PE040012		SIDE TRIM - VGSO165
NI	PB020016		TUBING - IR BROIL (VGSO165)
NI	PB020017		TUBING - BROIL VALVE (VGSO165)
NI	PB020018		SUB TO PB020059 - TUBING - INLET (VGSO165)
NI	PB020019		TUBING - RH BAKE (VGSO165)
NI	PB020020		BAKE BURNER TUBING - LH (NO LONGER AVAILABLE)
NI	PB020059		SUPPLY TUBING
NI	G4000953		WIRE HARNESS (NEUTRAL) 36 BUILT-IN
NI	G4000954		WIRE HARNESS (L1) 36 BUILT-IN OVEN
NI	G4000955		WIRE HARNESS (BAKE/IGN.) 36 B-IN
NI	G4000956		WIRE ASSEMBLY (OVEN LT.) 36 B-IN
NI	G4000957		WIRE ASSEMBLY (CONV. FAN) 36 B-IN
NI	G4000958		WIRE ASSEMBLY (R.H. BAKE) 36 B-IN
NI	G4000959		WIRE ASSEMBLY (L.H. BAKE) 36 B-IN
NI	G4000964		WIRE ASSEMBLY (BROIL) 36 BUILT-IN
NI	G4000965		WIRE ASSEMBLY (BROIL IGN.) 36 B-IN
NI	G4000966		WIRE ASSEMBLY (T/STAT) 36 BUILT-IN
NI	G4000967		WIRE ASSEMBLY (IND. LT.) 36 B-IN
NI	A2008467		INSULATION SHIELD



Ref #	Part Number	Qty.	Description
1	PE030001		BRACKET, DOOR, HANDLE
	PE030001PVD		END CAP DOOR HANDLE XBR
2	PE030005		DOOR HANDLE - VGSC30/RC60/RC48RH
	PE030013		DOOR HANDLE - BR
3	PE010016		NAMEPLATE, LOGO, PRO
	PE010017		LOGO (VGSO,VEDO,VGDO,VUD) XWH/CHR
	PE010079		4.5 LOGO/VIKING PROF, BK/BR
	PE010080		4.5 LOGO/VIKING PROF XWH/BR
4	PD030006		CAPPED WASHER PAL NUT
5	B2000801		OVEN DOOR PANEL - 36 BUILT-IN OVEN
	C9000801AL		OVEN DR PANEL - XALX 36 B-IN
	C9000801BK		OVEN DR PANEL - XBKX 36 B-IN
	C9000801BU		OVEN DR PANEL - XBUX 36 B-IN
	C9000801FG		OVEN DR PANEL - XFGX 36 B-IN
	C9000801PL		OVEN DR PANEL - XPLX 36 B-IN
	C9000801VB		OVEN DR PANEL - XVBX 36 B-IN
	C9000801WH		OVEN DR PANEL - XWHX 36 B-IN
6	PE060007		J-MOLD (1 RADIUS)
	PE060020		J-MOLD (VGSO OVN DOOR) XBRX
7	PE060009		SUB TO PE060008 - GLASS
8	A2000962		DOOR GLASS RETAINER - 36 BUILT-IN
9	A1000846		DOOR HEAT SHIELD
10	A2000828		DOOR INSULATION RETAINER - 36 B-IN
11	PB070034		INSULATION-TRS-10 1 X 20 X 3'
12	A2000827		DOOR AIR BAFFLE - 36 BUILT-IN OVEN
13	PE060008		GLASS REPL PE060009
14	G9100874		SUB TO H9101271 - DOOR LINER
	H9101271		OVEN DR LINER REPL G9100874 VGSO165
15	PB070014		DOOR GLASS SEAL STRIP - WINDOW DRS.