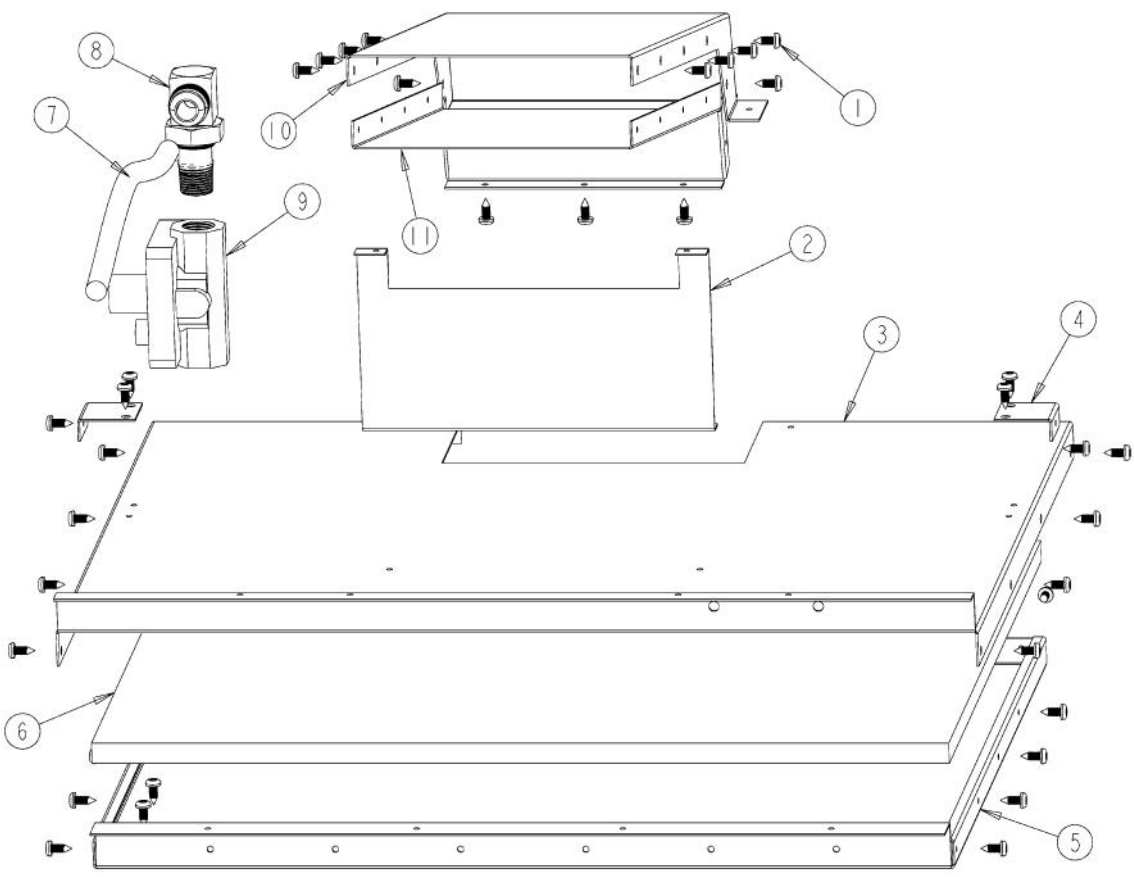
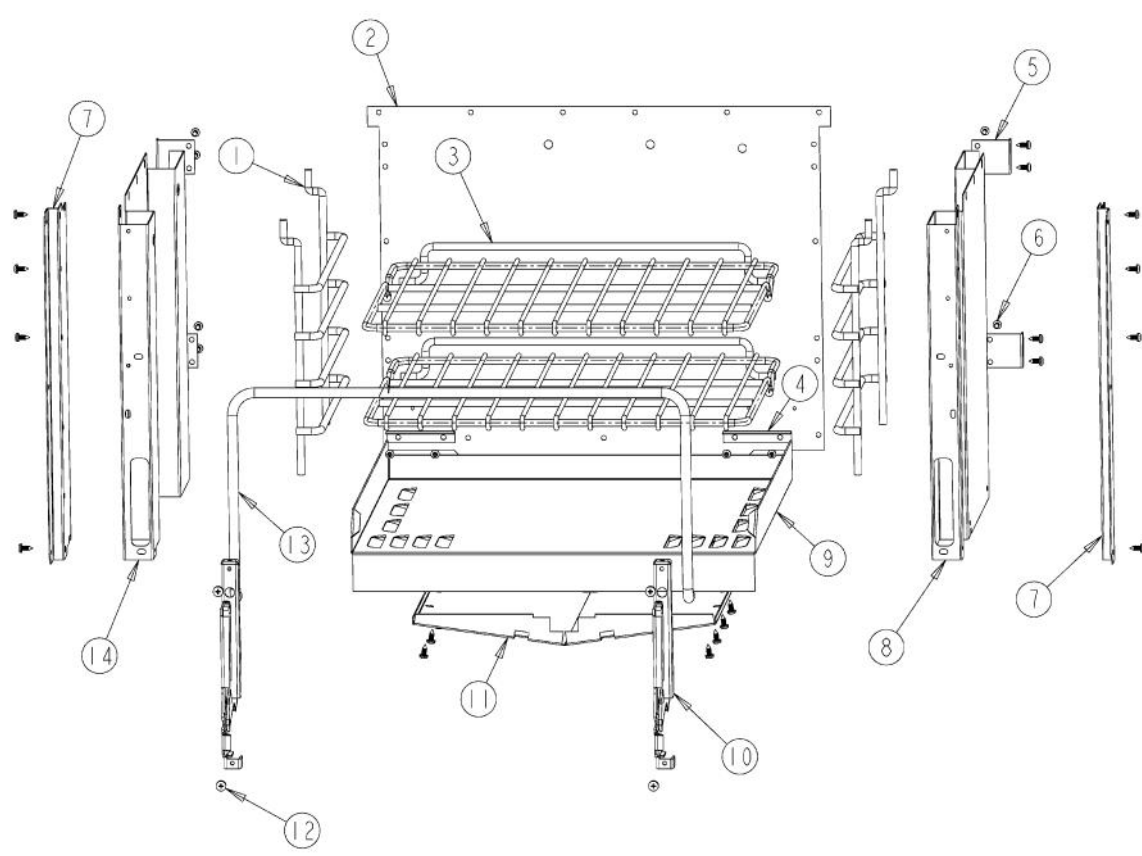


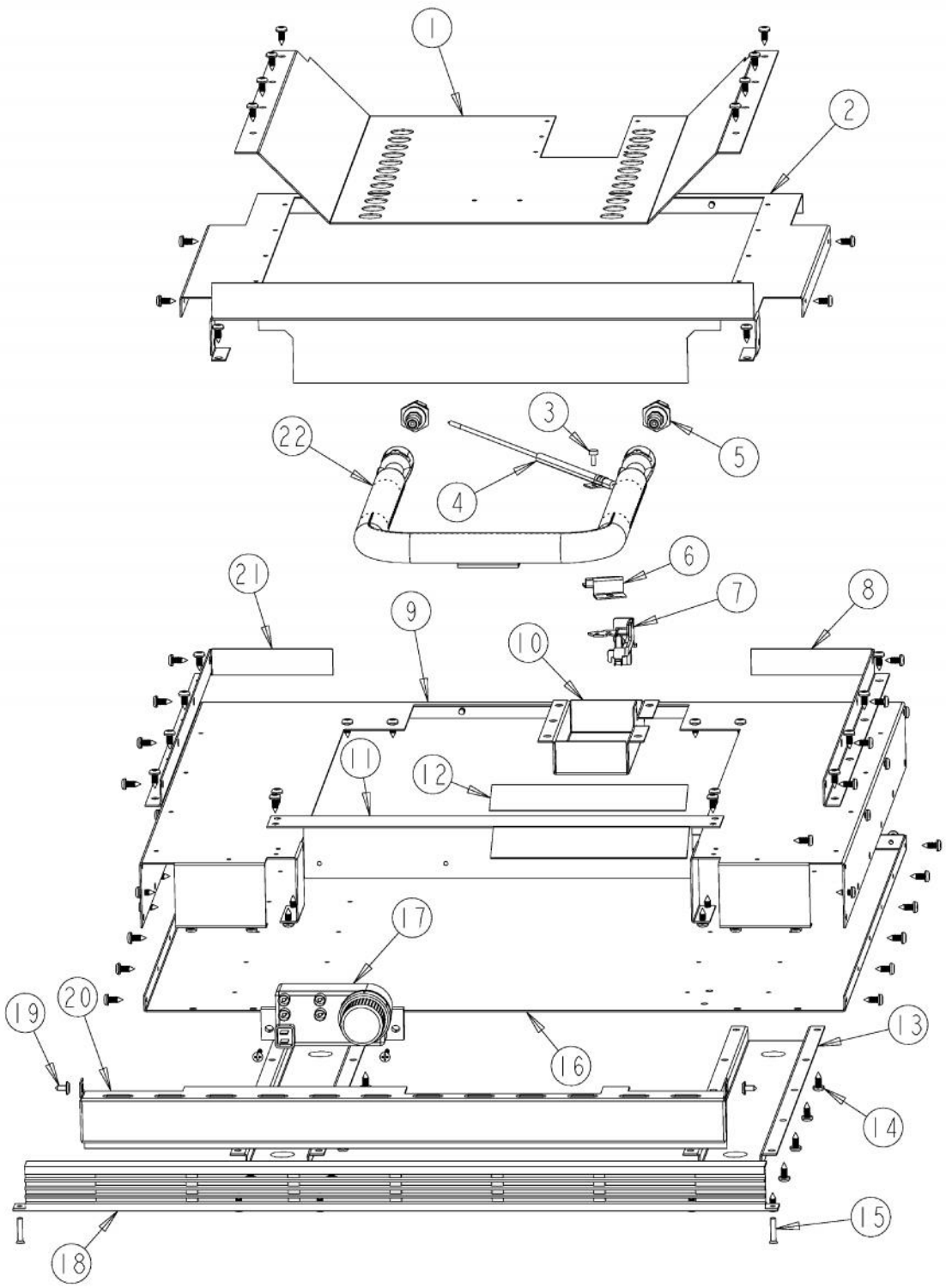
Ref #	Part Number	Qty.	Description
1	PD020055		NO.10 X 1/2 PAN PHIL. TEK. SS
2	PA010012		ROPER PLUG
3	PB010265		THERMOSTAT
4	PA050099		MANIFOLD
5	PD020173		MANIFOLD BOLT
6	PD010012		VALVE BOLT 1/4-20 UNC-2B 5/16 M.S.
7	PE040226		TOP EXTRUSION
8	PD020032		SRW-8(A)X3/8PH.WFR HD 7/16DIAXNICL
9	PB010208		BEZEL, CHROME PLATE
	PB010209		BEZEL BRASS
10	PD020067		NO.6 X 3/8 PAN PHIL. TEK SS
11	PA010155		THERMOSTAT KNOB
12	PB010163		OVEN LIGHT SWITCH KNOB BK
13	B92014987		CONTROL PANEL
14	PD020043		NO.6-32 X .750 PH. CTRSK T(F)-VGSO166
15	J10012914		HEAT SINK
16	PE050063		SPARKER SWITCH
17	B20014987		MANIFOLD SUPPORT
18	A2002265		MOUNTING BRKT PIPE (VGSO166)



Ref #	Part Number	Qty.	Description
1	PD020055		NO.10 X 1/2 PAN PHIL. TEK. SS
2	B20010869		TIE-IN BRACKET
3	B20010823		TOP INSULATION RETAINER
4	B20010850		OVEN SIDE BRACE
5	E91010807		OVEN TOP
6	PB070263		SUPERWOOL 1/2 X 19 X 3'
7	PB020189		5/8 FLEX TUBE
8	PB040231		90 DEGREE BULKHEAD ELBOW W / LOCKNUT
9	PA070006		PRESSURE REGULATOR - NATURAL
	PA070005		PRESSURE REG.(LP) RV47L-77-10.0
10	B30010841		VENT TOP
11	B20010842		VENT BOTTOM

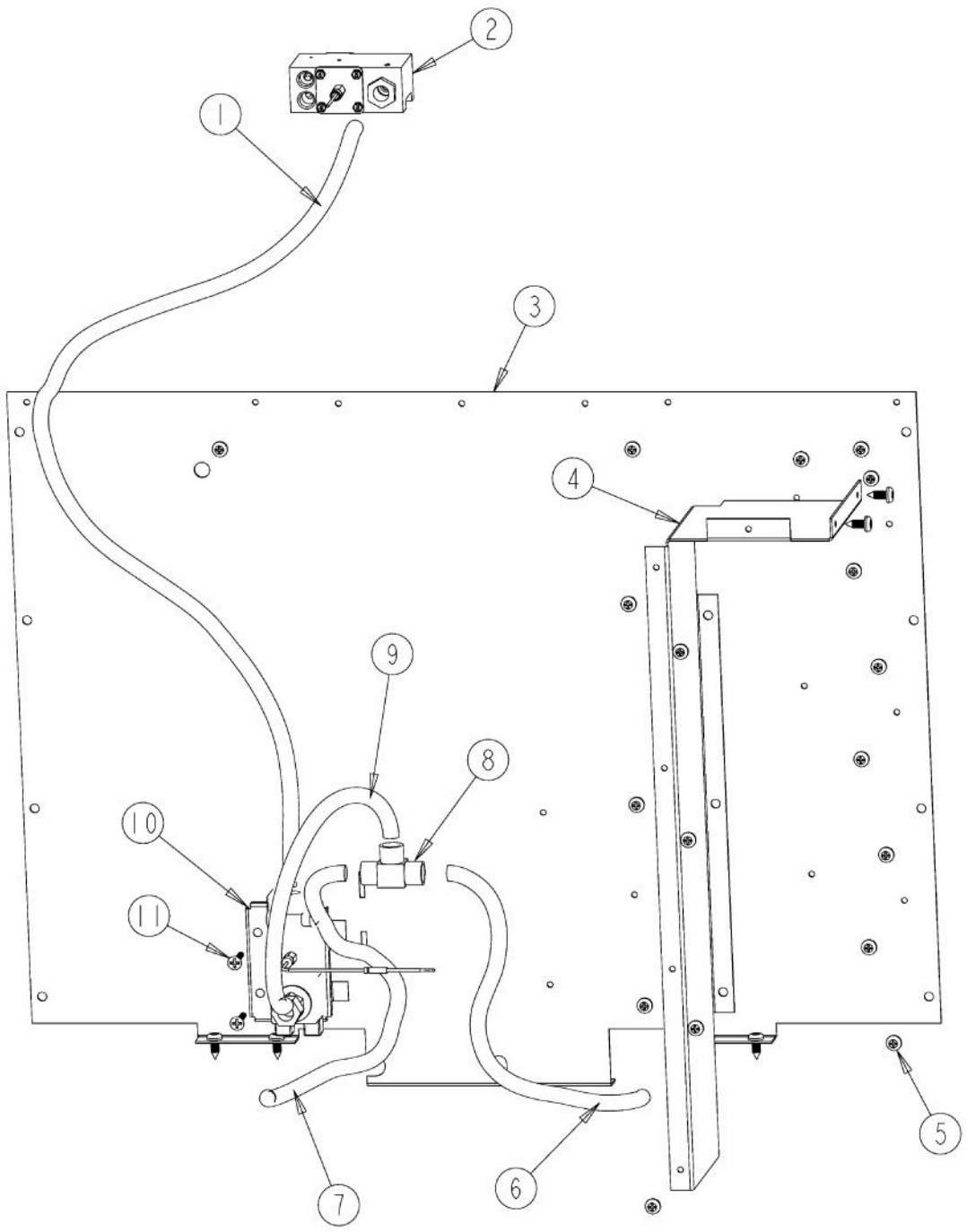


Ref #	Part Number	Qty.	Description
1	PB060022		OVEN RACK SUPT (VGSO166)
2	E91010808		OVEN BACK
3	PB060080		OVEN RACK VGIC 24 INCH
4	A2000803		OVEN BTM SUPT - 36 B-IN
5	B20010824		REAR SUPPORT
6	PD020055		NO.10 X 1/2 PAN PHIL. TEK. SS
7	E91010820		SIDE LINER EXTENSION
8	E91010805		OVEN SIDE - RH
9	G9107670		OVEN BOTTOM ASSY., VGIC245
10	PC020008		HINGE ASSY (RED)
11	B20010849		BOTTOM PAN HEAT SHIELD
12	PD020056		NO.10-24 X 1/2 PH.TR. M.S. SS
13	PB070193		DOOR GASKET
14	E91010806		OVEN SIDE LH

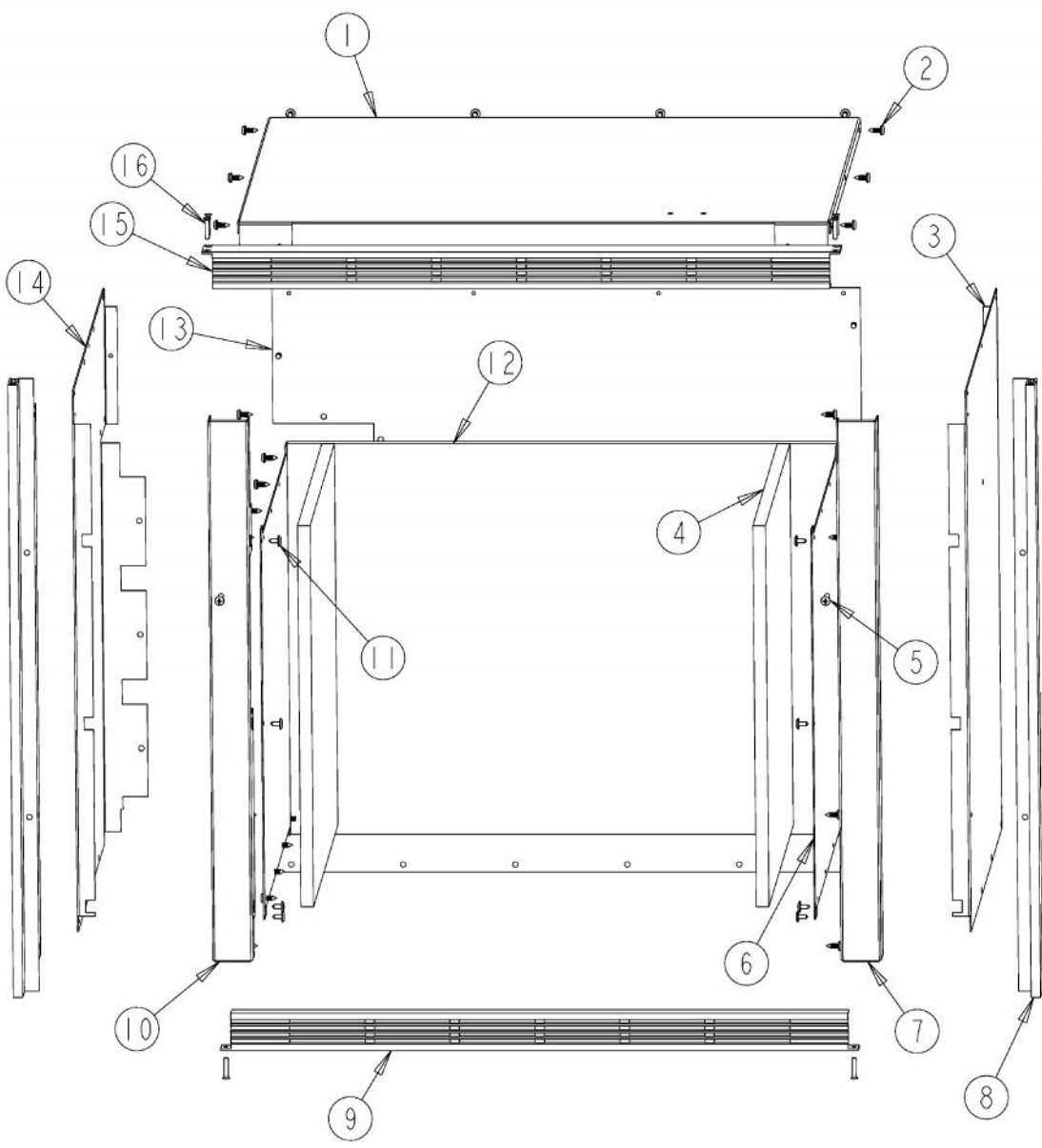


Ref #	Part Number	Qty.	Description
1	B20010803		OVEN BOTTOM
2	B20010809		BOTTOM AIR PLATE
3	PD020067		NO.6 X 3/8 PAN PHIL. TEK SS
4	PB040241		IGNITOR
5	PB040244		BULK HEAD ORIFICE FITTING
No.	PB040083		ORIFICE HOOD-NO.61 9701B1661 LP UNITS ONLY
No.	PB040063		ORIFICE HOOD-NO.52 9701B1652
6	B20010812		PILOT BRACKET
7	PA020044		PILOT ASSY
8	B20010829		LOWER CART SIDE - RH
9	B20010843		BOTTOM AIR PLATE
10	B20014411		PILOT BRACKET
11	B20012169		SPARK MODULE BRACKET
12	PE020106		RATING LABEL
13	B2002902		RUNNER
14	PD020055		NO.10 X 1/2 PAN PHIL. TEK. SS
15	PD020043		NO.6-32 X .750 PH. CTRSK T(F)-VGSO166
16	B20010844		OVEN BOTTOM
17	PA020036		SPARK MODULE
18	PE040227		BOTTOM EXTRUSION
19	PD020032		SRW-8(A)X3/8PH.WFR HD 7/16DIAXNICL
20	B20010855		BOTTOM SPACER
21	B20010827		OVEN MOUNTING BRACKET
22	PB050076		8 DUEL INJECTION BURNER

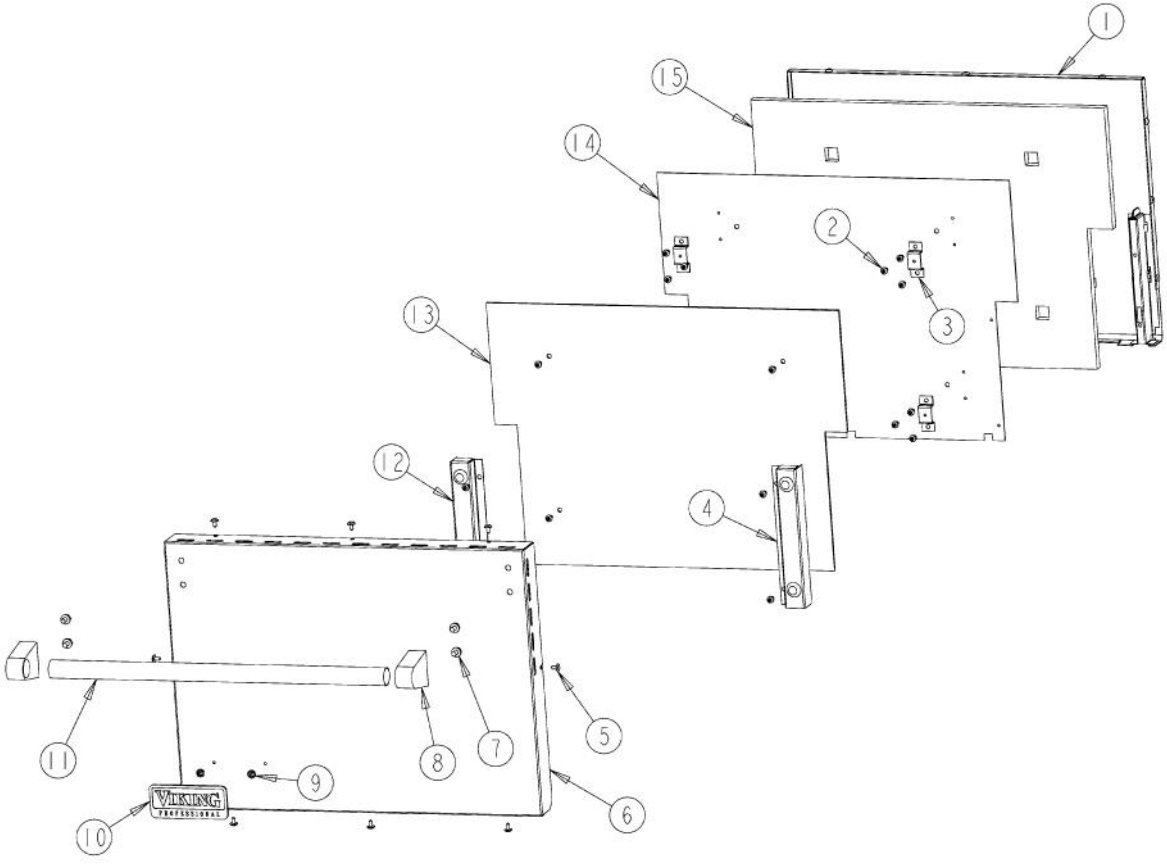




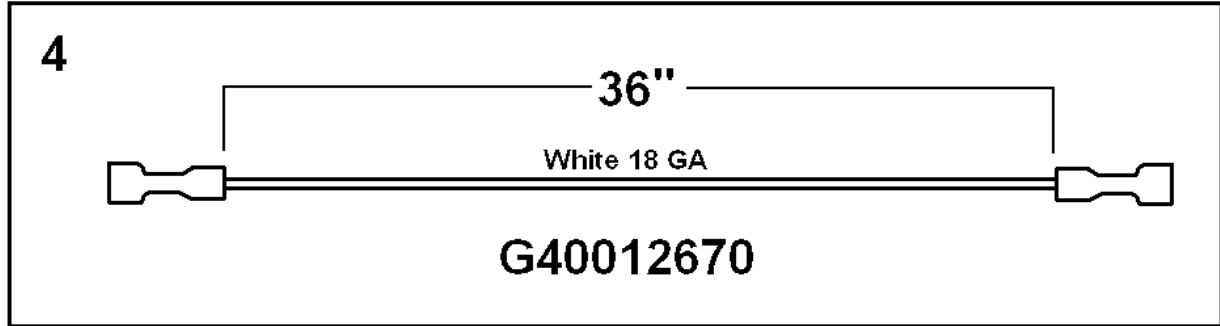
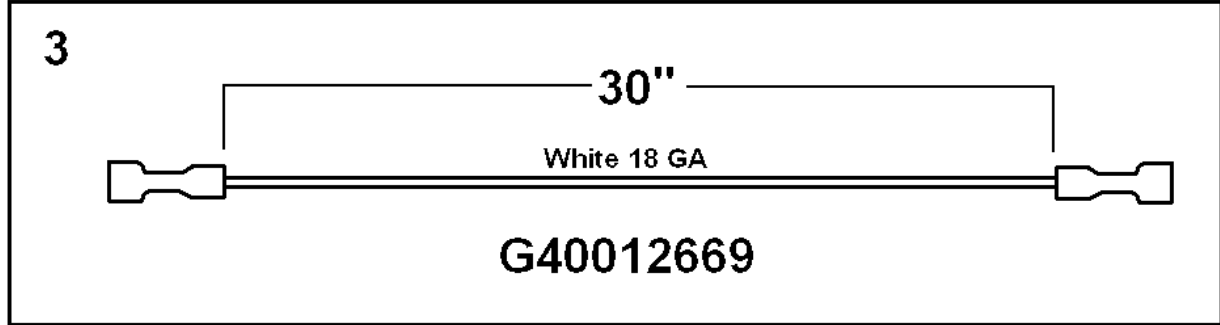
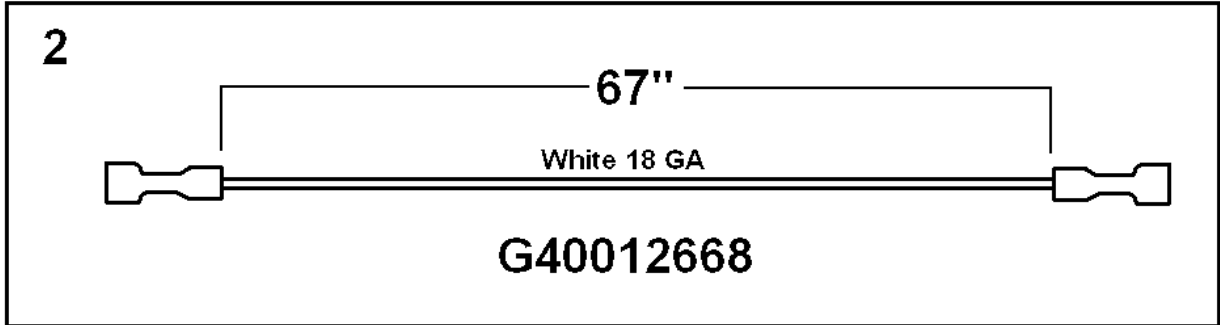
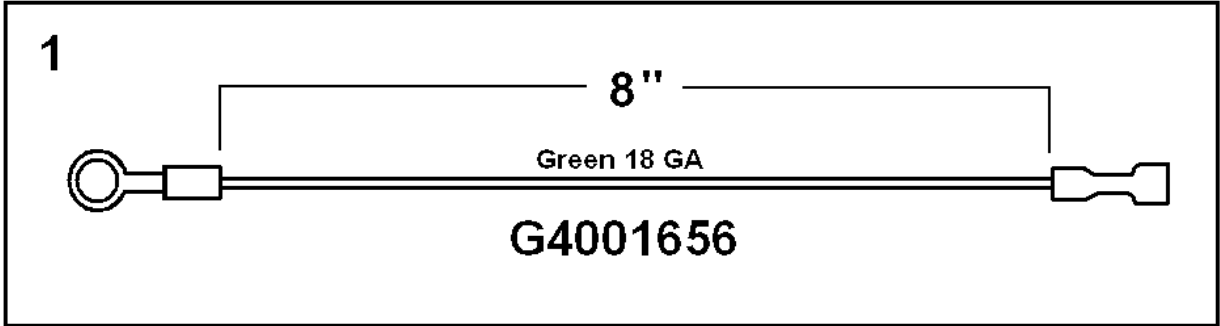
Ref #	Part Number	Qty.	Description
1	PB020135		FLEX TUBING 34
2	PB010265		THERMOSTAT
3	B20010822		BACK INSULATION RETAINER
4	B20012168		BACK BRACKET
5	PD020055		NO.10 X 1/2 PAN PHIL. TEK. SS
6	PB020190		10 FLEX TUBE
7	PB020190		10 FLEX TUBE
8	PB040045		3/8 UNION TEE (VGSO166)
9	PB020190		10 FLEX TUBE
10	PB010266		SAFETY VALVE
11	PD020057		NO.10 X 1 FLAT HD. TEK. SS



Ref #	Part Number	Qty.	Description
1	B20010847		OVEN TOP
2	PD020055		NO.10 X 1/2 PAN PHIL. TEK. SS
3	B20010845		OVEN SIDE
4	PB070263		SUPERWOOL 1/2 X 19 X 3'
5	PD020064		SCREW-10 X 1 1/4 PAN PHIL SMS BLACK
6	B20010821		SIDE INSULATION RETAINER
7	B20010853		SIDE SPACER RH
8	PE040225		SIDE EXTRUSION
9	PE040227		BOTTOM EXTRUSION
10	B20010854		SIDE SPACER LH
11	PD020032		SRW-8(A)X3/8PH.WFR HD 7/16DIAXNICL
12	PB070263		SUPERWOOL 1/2 X 19 X 3'
13	B10010848		OVEN BACK
14	B20012167		OVEN SIDE
15	PE040226		TOP EXTRUSION
16	PD020043		NO.6-32 X .750 PH. CTRSK T(F)-VGSO166



Ref #	Part Number	Qty.	Description
1	G91010815		DOOR LINER WELD ASSY
2	PD020055		NO.10 X 1/2 PAN PHIL. TEK. SS
3	B20010852		DOOR HEAT SINK BRACKET
4	A2002498		HINGE POCKET COVER RH
5	PD020032		SRW-8(A)X3/8PH.WFR HD 7/16DIAXNICL
6	B20012170		OUTSIDE DOOR PANEL
	C90012170FG		OUTSIDE DOOR PANEL XFGX
	C90012170GG		OUTSIDE DOOR PANEL XGGX
	C90012170VB		OUTSIDE DOOR PANEL XVBX
7	PD010019		BLT-1/4-20X3/8HEX WASHER SERATED
8	PE030001		BRACKET, DOOR, HANDLE
	PE030001PVD		END CAP DOOR HANDLE XBR
9	PD030006		CAPPED WASHER PAL NUT
10	PE010016		NAMEPLATE, LOGO, PRO
	PE010079		4.5 LOGO/VIKING PROF, BK/BR
11	PE030134		DOOR HANDLE
	PE030134PVD		DOOR HANDLE PVD
12	A2002499		HINGE POCKET COVER LH
13	J10010851		DOOR HEAT SINK
14	B10010817		DOOR INSULATION RET.
15	PB070145		SUPERWOOL 5 X 24 X 3`
No.	G32012171FG		DOOR ASSY VGSO260T XFGX
	G32012171FGBR		DOOR ASSY VGSO260T XFGBRX
	G32012171GG		DOOR ASSY VGSO260T XGGX
	G32012171GGBR		DOOR ASSY VGSO260T XGGBRX
	G32012171SS		DOOR ASSY VGSO260T XSSX
	G32012171SSBR		DOOR ASSY VGSO260T XSSBRX
	G32012171VB		DOOR ASSY VGSO260T XVBX
	G32012171VBRR		DOOR ASSY VGSO260T XVBBRX



Ref #	Part Number	Qty.	Description
1	G4001656		SPARK MODULE GROUND WIRE
2	G40012668		WHITE WIRE ASSY (67)
3	G40012669		IGNITOR WIRE (30)
4	G40012670		WHITE WIRE ASSY (36)