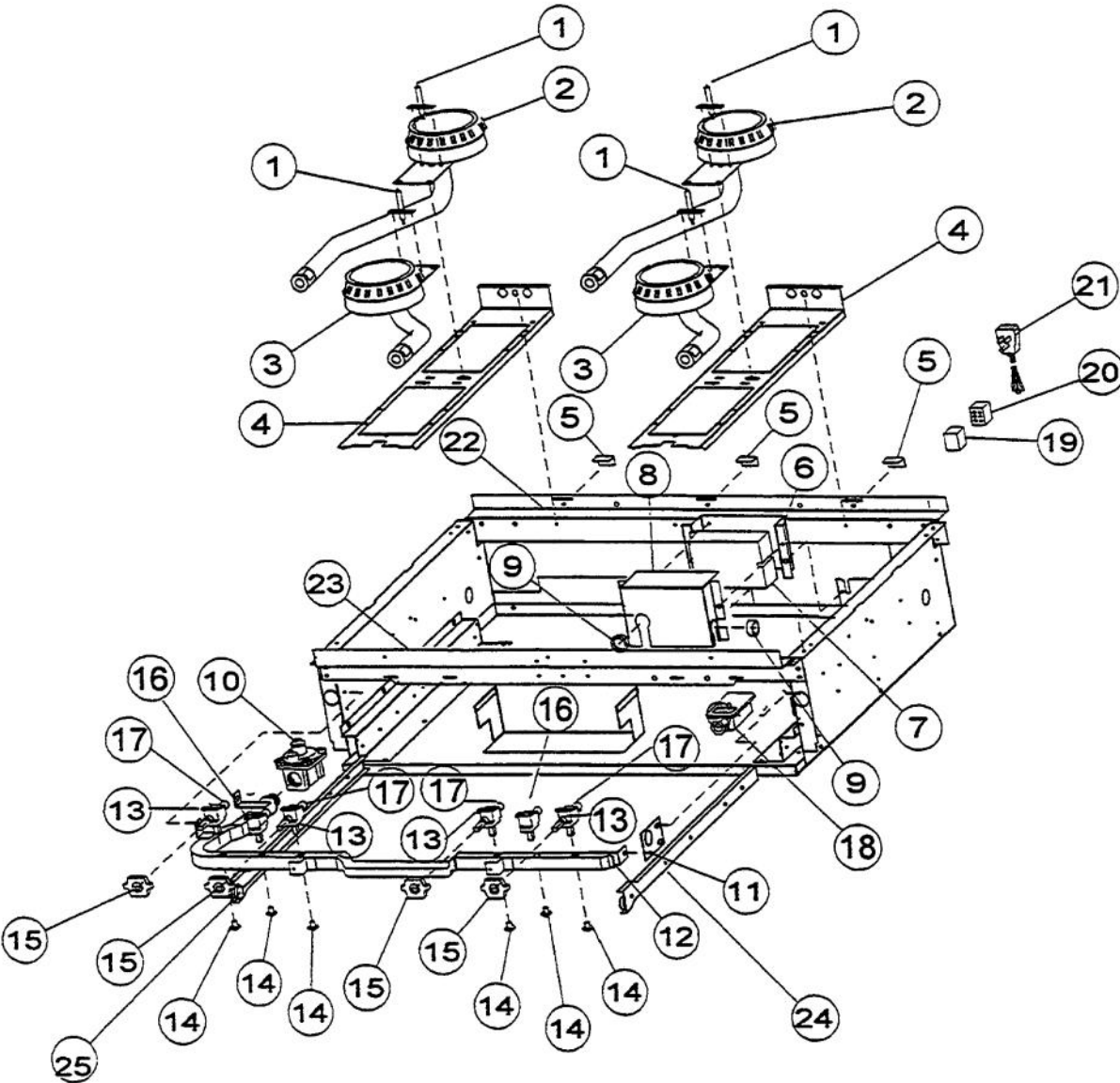
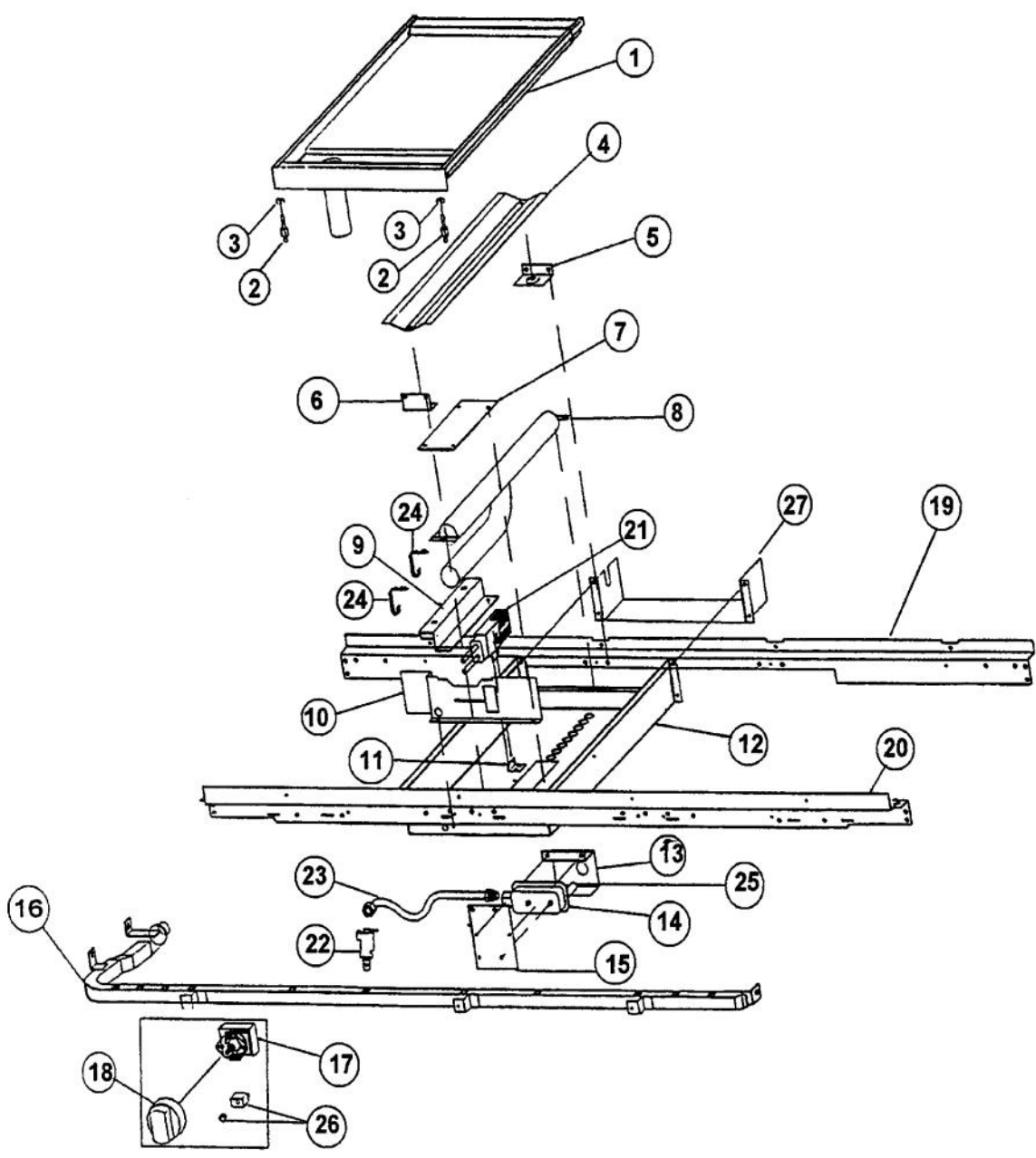


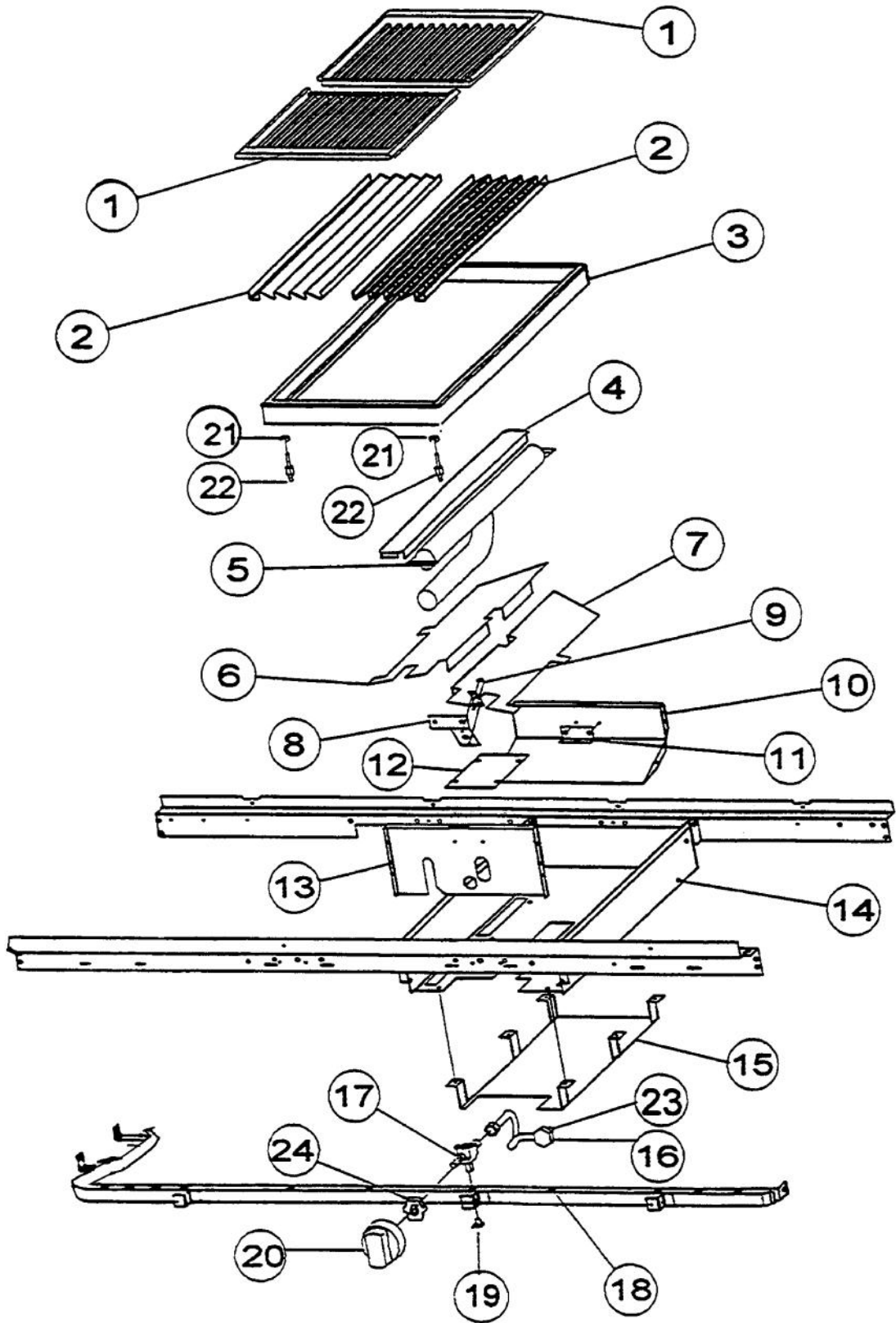
Ref #	Part Number	Qty.	Description
1	PA060037		GRATE BK REPL PA060024 (GEN.NO.2)
	PA060038		GRAY GRATES
2	PA030002AL		BURNER BOWL - AL
	PA030002BK		BURNER BOWL (VGRT) XXBKXX
	PA030002FG		BURNER BOWL - FG
	PA030002PL		BURNER BOWL (VGRT) XXPLXX
	PA030002VB		BURNER BOWL (VGRT) XXVBXX
	PA030002WH		BURNER BOWL (VGRT) XXWHXX
3	PA080015		BURNER CAP-VGRT XBKX
	PA080016		BURNER CAP-VGRT (GRAY-MATT)
4	G50013584AL		BURNER GRATE SUPPORT ASSEMBLY - AL
	G50013584BK		GRATE SUPPORT SERVICE KIT (BK)
	G50013584FG		BURNER GRATE SUPPORT ASSEMBLY - FG
	G50013584PL		GRATE SUPPORT ASSEMBLY - PL
	G50013584VB		BURNER GRATE SUPPORT ASSEMBLY - VB
	G50013584WH		GRATE SUPPORT SERVICE KIT (WH)
5	PD030017		BALL STUD
6	PD030012		6-32 HEX NUT
7	B2002346		SIDE TRIM - LH (VGSS)
	C9302346BR		SIDE TRIM - LH (VGSS) XBRX
8	B2002345		SIDE TRIM - RH (VGSS)
	C9302345BR		SIDE TRIM - RH (VGSS) XBRX
9	J2101749		GREASE PAN
			(AFTER SERIAL NO. R12139612235)
	PB080011		GREASE PAN
			(BEFORE SERIAL NO. R12139612235)
10	G3103162		DRIP TRAY (RIVETED) (VGRC/IS36)
			(AFTER SERIAL NO. R12139612235)
11	PD040004		GROMMET BUMPER
12	B3001150		DRIP TRAY HANDLE - SS
	C9301150PVD		D/T HNDLE 36" REPL C9301150BR
13	PD010003		10-24 X 1/2 PH.TR.HD.SERD.M.S.
NI	PD030010		NO.10-24 KEPS NUT



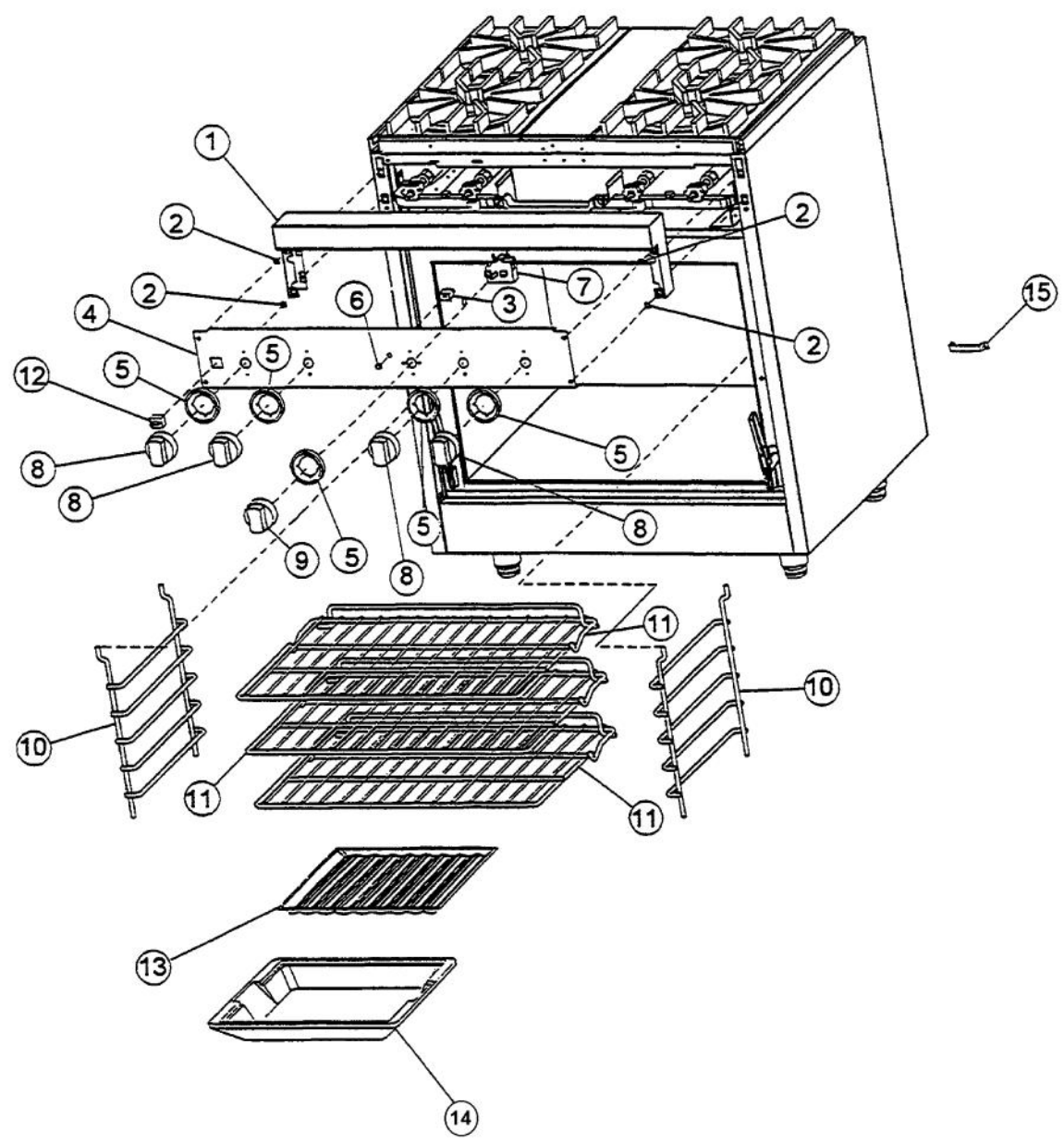
Ref #	Part Number	Qty.	Description
1	PA020014		SPARK IGNITOR
2	PA080036		TOP BURNER REAR REPL PA080008
3	PA080037		TOP BURNER FRONT REPL PA080007
4	A2001112		BURNER SUPT (VGRT)
5	A2001147		GRATE SUPT ANGLE (VGRT)
6	A1001619		SPARK MODULE PLATE
7	PA020016		SPARK MODULE (BEFORE SERIAL NO. R11079714480)
	PA020041		TYTRONICS 0+4 SPARK MODULE (AFTER SERIAL NO. R11079714480)
8	A2001620		SPARK MODULE COVER (VGRC)
9	PD040005		SNAP BUSHING - 7/8
10	PA070001		PRESSURE REGULATOR (NAT.)
11	A1001138		MANIFOLD BRKT
12	PA050114		MANIFOLD
13	003519-000		PA010024 VALVE AND BOLT KIT (BEFORE 08/09/02)
	G50012678		TOP BURNER VALVE KIT (BRASS VALVE REPLACEMENT) (BETWEEN 08/09/02 & 02/23/05)
	PA010157		SUB TO 003515-000 - RANGE TOP BURNER VALVE (AFTER 02/23/05)
NI	PA020029		SWITCH SPACER (AFTER SERIAL NO. R08090218539)
14	PD010012		VALVE BOLT 1/4-20 UNC-2B 5/16 M.S.
15	PA020011		SPARK IGN SWITCH REPL PA020012 (BEFORE SERIAL NO. R11079714480)
	PA020015		SPARK IGNITION SWITCH (BEFORE 2/23/05)
	PA020045		IGNITOR SWITCH (AFTER 2/23/05)
16	PB030002		SUB TO 003862-000 - SHUTOFF VALVE (BEFORE 2/23/05)
	PB030007		SHUT OFF VALVE (AFTER 2/23/05)
17	PB040034		ORIFICE HOOD-NO.50 (NAT)
	PB040036		ORIFICE HOOD-NO.57 (LP)
18	PB010083		SINGLE THERMAL VALVE LH (OVEN)
19	PE070070		DISCONNECT BLOCK XALX 770020-1
20	PE070071		DISCONNECT BLOCK XALX 770027-1
21	PE070128		SUPPLY CORD (VGRT/SC/SS/RC)
22	A2002382		REAR BURNER SUPT (VGSS36)
23	A2001105		FRONT SUPT (36)
24	PK000008		DRIP TRAY GUIDE - RH
25	PK000007		DRIP TRAY GUIDE - LH (VGRT)
NI	G4001330		SPARK IGNITOR WIRE ASSY (10)
NI	G4001593		SPARK MODULE-TOP BRNR SPARKER (16)
NI	G4001688		SPARK MODULE-TOP BRNR SPARKER (52) (FRONT BURNERS, 36" / 48")
NI	G4001688		SPARK MODULE-TOP BRNR SPARKER (52) (GRILL BURNER, 36" / 48")



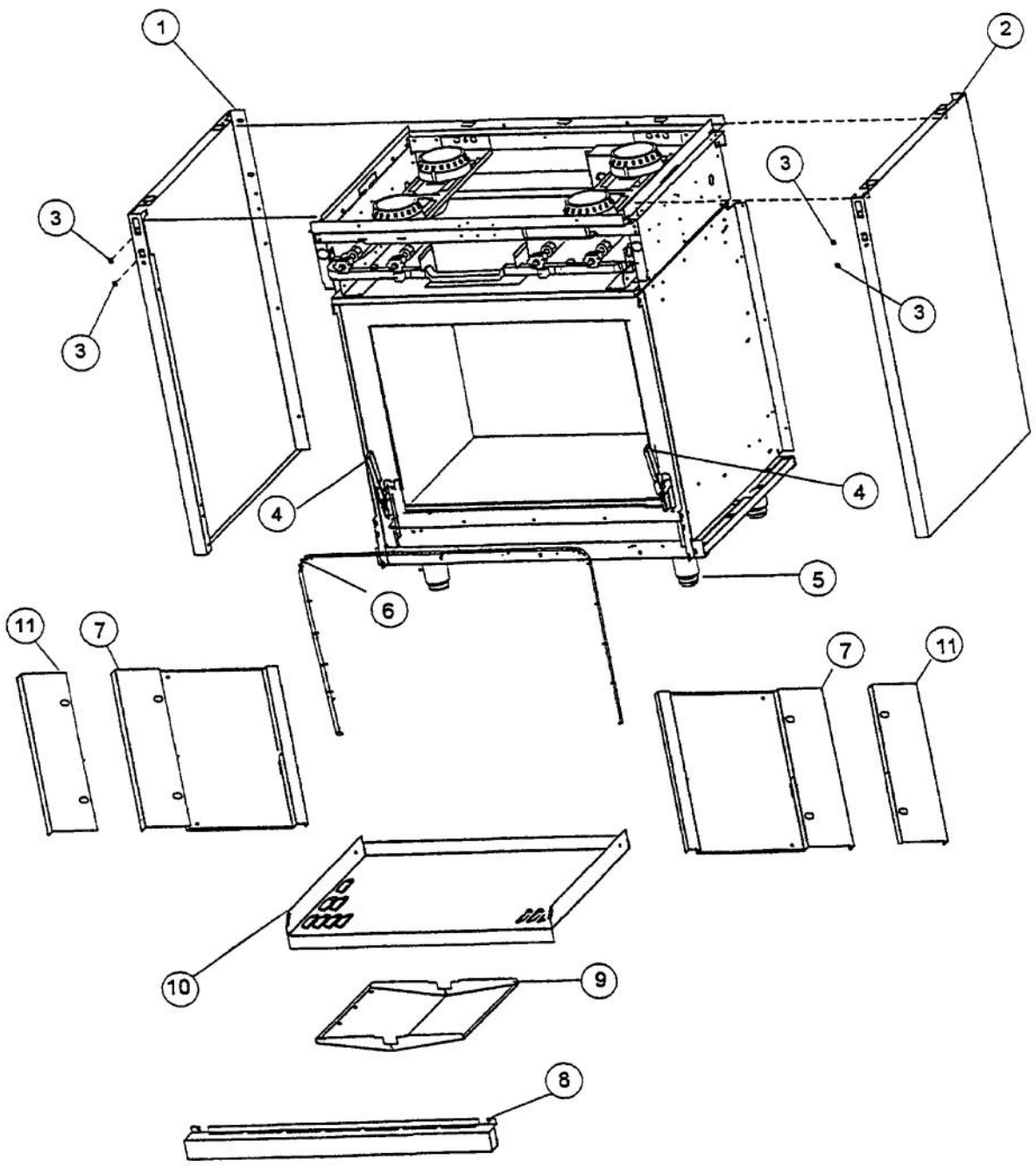
Ref #	Part Number	Qty.	Description
1	PK020003		GRIDDLE, 12" - NON-STICK
2	PD010017		BALL STUD (VGRT)
3	PD030012		6-32 HEX NUT
4	B2001884		GRIDDLE FLAME SHIELD
5	A2001880		REAR MTG. BRKT. GRIDDLE FLAME SHLD
6	A2001881		FRONT MTG. BRKT. GRIDDLE FLAME SHLD
7	A1001636		GRIDDLE VENTURI COVER
8	PB050077		GRILL BURNER
9	A2001949		T/STAT BULB COVER REPL A2001883
10	A2002001		GRIDDLE HEAT BAFFLE - SLOT SUPT
11	A2001300		GRIDDLE IGNITOR BRKT
12	A2001148		GRIDDLE BOX (VGRT)
13	A2001630		GRIDDLE VALVE COVER (VGRC)
14	PB010004		SINGLE SAFETY VALVE (NAT. GRIDDLE)
15	A1001198		THERMAL VALVE BRKT
16	PA050114		MANIFOLD
17	PB010035		THERMOSTAT BAKE
18	PB010103		GRIDDLE KNOB N/S XBKX (AFTER 1/95)
	PB010104		GRIDDLE KNOB N/S XWHX (AFTER 1/95)
	PB010089		SUB TO PB010103 - GRIDDLE KNOB-XBKX-VGRT/RC/VCM-(V... (BEFORE 1/95)
	PB010190		TOP BURNER KNOB - EUROPEAN XWHX (BEFORE 1/95)
19	A2001909		REAR BURNER SUPT-36(VGRT/RC)
20	A2001105		FRONT SUPT (36)
21	PB040001		IGNITOR - (ALL RANGES)
22	PB030002		SUB TO 003862-000 - SHUTOFF VALVE (BEFORE 2/23/05)
	PB030007		SHUT OFF VALVE (AFTER 2/23/05)
23	PB020007		GRIDDLE TUBING
24	PD030031		THERMAL BULB CLIP - .250
25	PB040035		ORIFICE HOOD-NO.51 9701B1651
	PB040036		ORIFICE HOOD-NO.57 (LP)
26	PE050023		OVEN IND. LIGHT (LENS & BEZEL) (CURRENT)
	PE050024		OVEN IND. LIGHT (LIGHT HOUSING) (CURRENT)
27	A2002147		GRIDDLE FLUE COVER (VGRT/VGSS/VGIS)
NI	PD040022		1/2 X 1/4-BUMPER (PORT. GRIDDLE)(BK (PORTABLE GRIDDLE ONLY)
NI	PD020039		NO.6-32 X 1/2 PH.PN.HD. TYPE (23) (PORTABLE GRIDDLE ONLY)



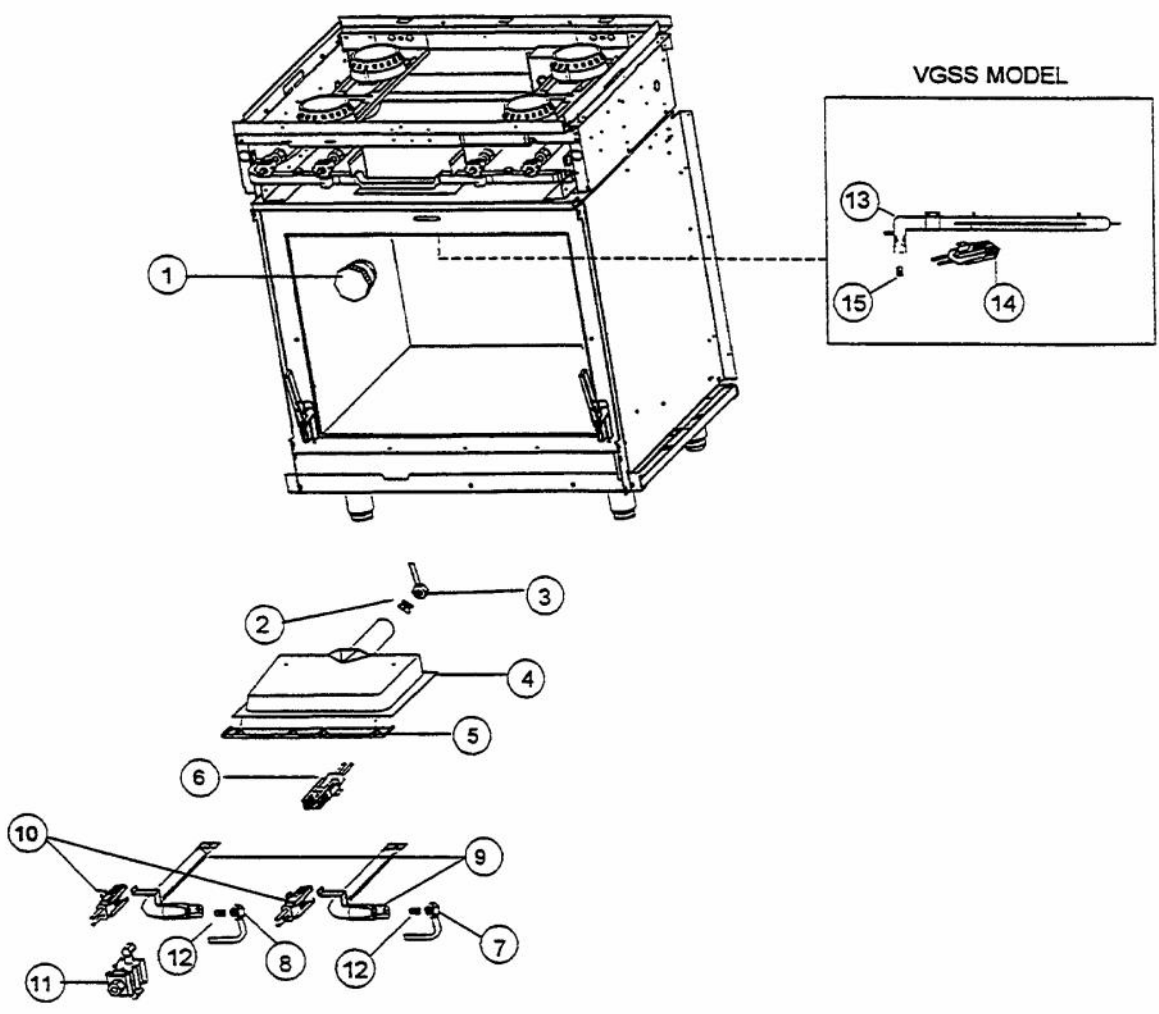
Ref #	Part Number	Qty.	Description
1	PA060028		GRILL GRATE - BK
	PA060029		GRILL GRATE - GR
2	E9101130BK		GRILL SMOKE GENERATOR
3	G9101182AL		GRILL GRATE SUPT (VGRT) XALX
	G9101182BK		GRILL GRATE SUPT (VGRT) XBKX
	G9101182FG		GRILL GRATE SUPT (VGRT) XFGX
	G9101182PL		GRILL GRATE SUPT (VGRT) XPLX
	G9101182VB		GRILL GRATE SUPT (VGRT) XVBX
	G9101182WH		GRILL GRATE SUPT (VGRT) XWHX
4	B2001140		GRILL FLAME SHIELD (VGRT)
5	PB050077		GRILL BURNER
6	B2001856		GRILL HEAT DEFLECTOR-LH (VGRC60)
7	B2001857		GRILL HEAT DEFLECTOR-RH (VGRC60)
8	A2001633		GRILL FRONT SPARKER BRKT (VGRC)
9	PA020014		SPARK IGNITOR
10	A2001855		GRILL BACK - (VGRC605)
11	A2001132		REAR GRILL BURNER BRKT (VGRT)
12	A1001862		GRILL VENTURI COVER (VGRC605)
13	A2001631		GRILL BOX FRONT (VGRC)
14	A2001852		GRILL BOX - (VGRC605)
15	A2001863		GRILL BTM SHIELD (VGRC605)
16	PB020025		TUBING-GRILL (REVISED) REP PB020021
17	PA010043		GRILL VALVE (VGIS)
18	PA050114		MANIFOLD
19	PD010012		VALVE BOLT 1/4-20 UNC-2B 5/16 M.S.
20	PA010041		TOP GRILL KNOB XBKX (VGSS) (N/STYLE
	PA010042		TOP GRILL KNOB XWHX (VGSS) (N/STYLE
21	PD030012		6-32 HEX NUT
22	PD010017		BALL STUD (VGRT)
23	PB040061		ORIFICE HOOD - NO.48
	PB040062		ORIFICE HOOD-NO.56
24	PA020011		SPARK IGN SWITCH REPL PA020012



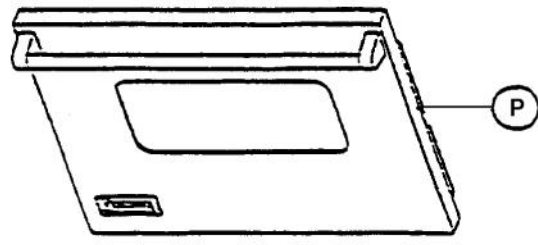
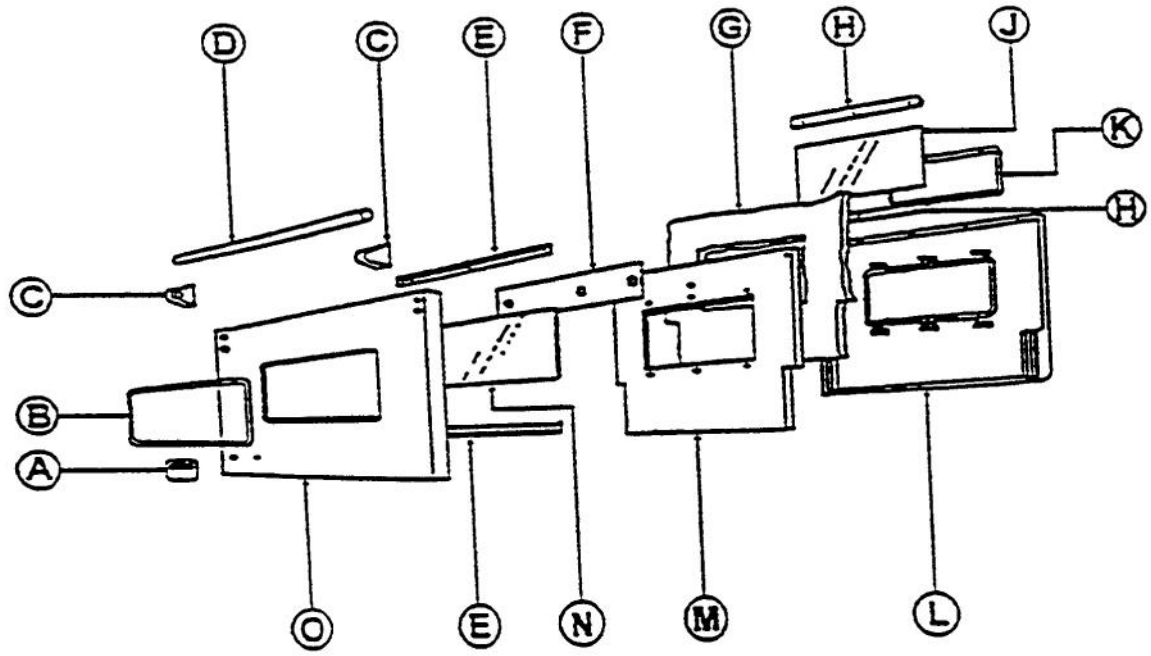
Ref #	Part Number	Qty.	Description
1	G3001585		36 LANDING LEDGE
2	PD030050		10-24 CAGE NUT SS
3	PE050024		OVEN IND. LIGHT (LIGHT HOUSING)
4	B9202024		CTRL PAN (VGSS360-6B)
	B9202025		CTRL PAN (VGSS360-4G)
	B9202026		CTRL PAN (VGSS360-4Q)
5	PB010208		BEZEL, CHROME PLATE
	PB010209		BEZEL BRASS
6	PE050023		OVEN IND. LIGHT (LENS & BEZEL)
	PE050015		OVEN INDICATOR LIGHT (NO WIRE)
	PE050006		INDICATOR LIGHT - W/ WIRE
7	PB010036		THERMOSTAT BAKE/BROIL
8	PA010037		TOP BURNER KNOB XBKX (VGSS) (N/STYL (BEFORE SERIAL NO. R1107971448)
	PA010038		TOP BURNER KNOB XWHX (VGSS) (N/STYL (BEFORE SERIAL NO. R1107971448)
	PA010034		TOP BURNER KNOB-XBKX (NEW STYLE) (BEFORE 08/09/02) IF ORIGINAL VALVE HAS NEVER BEEN R...
	PA010035		BURNER KNOB-WH NS REPL PA010028 (BEFORE 08/09/02) IF ORIGINAL VALVE HAS NEVER BEEN R...
	PB010206		VGSC,VGRC,VGRT TOP BURNER KNOB(BK) (AFTER 08/09/02 - OR IF ORIGINAL VALVE HAS BEEN REPLA...
	PB010207		VGSC,VGRC,VGRT TOP BURNER KNOB(WH) (AFTER 08/09/02 - OR IF ORIGINAL VALVE HAS BEEN REPLA...
9	PB010099		T/STAT B/B KNOB BK REPL PB010039BKX (AFTER 1/95)
	PB010100		THERMOSTAT BAKE/BROIL KNOB XWHX N/S (AFTER 1/95)
	PB010091		T/STAT BK/BRL KNBXBKXREP PB010016 (BEFORE 1/95)
	PB010092		T/STAT BAK/BROL KNBXWHX-SC/RC-(VLOX (BEFORE 1/95)
10	PB060030		RACK SUPT REPL PB060010
11	PB060017		SUB TO PB060039 -OVEN RACK
12	PE050016		OVEN LIGHT SWITCH - XBKX (WES-GAR)
	PE050017		OVEN LIGHT SWITCH - XWHX (WES-GAR)
13	PB080003		BROILER PAN TRAY (KRA2)
14	PB080002		BROILER PAN
15	A2002654		ANTI-TIP DEVICE (VDSC)



Ref #	Part Number	Qty.	Description
1	B2001922		SIDE PANEL - LH (SS)
	C9001922AL		SUB TO C9002598AL - BODY PNL LH AL
	C9001922BK		SUB TO C9002598BK - BODY PNL LH BK
	C9001922BU		SUB TO C9002598BU - BODY PNL LH BU
	C9001922FG		SUB TO C9002598FG - BODY PNL LH FG
	C9001922PL		SUB TO C9002598PL - BODY PNL LH PL
	C9001922VB		SUB TO C9002598VB - BODY PNL LH VB
	C9001922WH		SIDE PANEL - WH (LH)
2	B2001921		SUB TO B2002597 - RH SIDE PANEL
	C9001921AL		O/S BODY PANEL RH XALX 30
	C9001921BK		SUB TO C9002597BK - BODY PNL RH
	C9001921BU		SIDE PANEL - BU (RH)
	C9001921FG		SUB TO C9002597FG - BODY PNL RHFG 30
	C9001921PL		SUB TO C9002597PL - BODY PNL RH PL 30
	C9001921VB		SUB TO C9002597VB - BODY PNL RH VB 30
	C9001921WH		SIDE PANEL - WH (RH)
3	PD030005		SELF RETAINING NUT
4	PC020009		HINGE ASSY (BROWN)
5	PC030017		4 LEG ASSY
6	PB070030		OVEN DR GASKET-30 & 36
7	E9101374		I/S OVEN LINER (VGSC/VGSS)
8	B2001504		LWR ACC PNL - RPLCS B2001977
	C9001504AL		LWR ACC PNL - RPLCS C9001977AL
	C9001504BK		LWR ACC PNL - RPLCS C9001977BK
	C9001504BU		LWR ACC PNL - RPLCS C9001977BU
	C9001504FG		LWR ACC PNL - RPLCS C9001977FG
	C9001504PL		LWR ACC PNL - RPLCS C9001977PL
	C9001504VB		LWR ACC PNL - RPLCS C9001977VB
	C9001504WH		LWR ACC PNL - RPLCS C9001977WH
9	A2001623		OVEN BTM HEAT SHIELD (VGRC36)
10	G9101985		SUB TO G3204252 - OVEN BTM PAN
11	E9101355		OVEN LINER HINGE COVER (VGSC/VGSS)



Ref #	Part Number	Qty.	Description
1	PE050009		OVEN LIGHT SOCKET - 36 BUILT-IN
2	PB040040		ORIFICE-IR BURNER (VGSC)
	PB040027		IR BUR.SPUD ORF. - NO.56 LP
3	PB020060		TUBING - BROIL-SAFETY VALVE(VGIS36)
NI	PD030018		PALNUT - 3/4-16
4	G3001876		IR BURNER ASSY (VGSC/RC) N/S
5	B2001448		IR BROIL SUPT (FRONT)
	B2002261		FRONT I/R BROILER SUPPORT BRACKET
6	PB040001		IGNITOR - (ALL RANGES)
7	PB020043		BAKE SFTY VLVE/RH BAKE TUBING-365
8	PB020042		BAKE SFTY VLVE/LH BAKE TUBING-365
9	PB050012		OVEN BURNER REPL PB050009
10	PB040001		IGNITOR - (ALL RANGES)
11	PB010084		DUAL THERMAL BI-MTL GAS CTRL VALVE
12	PB040034		ORIFICE HOOD-NO.50 (NAT)
	PB040036		ORIFICE HOOD-NO.57 (LP)
13	PB050011		BROIL BURNER (VGSS)
14	PB040001		IGNITOR - (ALL RANGES)
15	PB040034		ORIFICE HOOD-NO.50 (NAT)
			(NAT.) NO. 50
	PB040036		ORIFICE HOOD-NO.57 (LP)
			(L.P.) NO. 57
NI	E9101452		FLAME SPREADER 30 (VGSS)
NI	PB020048		TUBING I/R BROILER
NI	PB020050		SHUTOFF-SINGLE/DUAL VALVE (SS48/36)



Ref #	Part Number	Qty.	Description
A	PE010030		LOGO, 6, PRO, BK
	PE010031		LOGO 6 (VGRC) XBK/WHX
	PE010068		LOGO, 6, PRO, BK/BR
	PE010076		LOGO 6 (VGRC) XBR/WHX
B	PE060007		J-MOLD (1 RADIUS)
	PE060020		J-MOLD (VGSO OVN DOOR) XBRX
C	PE030001		BRACKET, DOOR, HANDLE
	PE030001PVD		END CAP DOOR HANDLE XBR
D	PE030006		DOOR HANDLE - 36 (VGRC)
	PE030013		DOOR HANDLE - BR
E	A2001447		OUTER DOOR GLASS RETAINER
F	A1001381		DOOR HEAT BAFFLE (VGSC/VGSS)
G	PB070034		INSULATION-TRS-10 1 X 20 X 3'
H	A2001480		INNER DOOR GLASS RETAINER
J	PE060008		GLASS REPL PE060009
K	PB070014		DOOR GLASS SEAL STRIP - WINDOW DRS.
L	H9101988		DOOR LINER ASSY W/W (VGSS36)
	H9101989		DOOR LINER ASSY N/W (VGSS36)
M	A2002038		DR INSUL RETAINER W/W (VGSS360)
	A2002039		DR INSUL RETAINER N/W (VGSS360)
N	PE060018		OVEN GLASS-TEMPERED,SCREENEDXBKX
O	H3001994		SUB TO B2001990
	H3001995AL		OUTER DOOR PANEL W/ WINDOW - AL
	H3001995BK		OUTER DOOR PANEL W/ WINDOW - BK
	H3001995BU		OUTER DOOR PANEL W/ WINDOW - BU
	H3001995FG		OUTER DOOR PANEL W/ WINDOW - FG
	H3001995PL		OUTER DOOR PANEL W/ WINDOW - PL
	H3001995VB		OUTER DOOR PANEL W/ WINDOW - VB
	H3001995WH		OUTER DOOR PANEL W/ WINDOW - WH
	B2001991		O/S DOOR PANEL N/W SS (VGSS360)
	C9001993AL		O/S DOOR PANEL XALX (VGSS360) N/W
	C9001993BK		O/S DOOR PANEL XBKX (VGSS360) N/W
	C9001993BU		OUTER DOOR PANEL W/O WINDOW - BU
	C9001993FG		OUTER DOOR PANEL W/O WINDOW - FG
	C9001993PL		OUTER DOOR PANEL W/O WINDOW - PL
	C9001993VB		OUTER DOOR PANEL W/O WINDOW - VB
	C9001993WH		O/S DOOR PANEL XWHX (VGSS360) N/W
NI	A2001738		UPPER DOOR BRACE (VGRC365)
NI	A2001739		LOWER DOOR BRACE (VGRC365)
P	G3201997AL		DOOR SUBASSY XALX (VGSS36)
	G3201997ALBR		DOOR SUBASSY XALX (VGSS36)
	G3201997BK		DOOR SUBASSY XBKX (VGSS36)
	G3201997BKBR		DOOR SUBASSY XBKX (VGSS36)
	G3201997BU		DOOR SUBASSY XBUX (VGSS36)
	G3201997BUBR		DOOR SUBASSY XBUXBRX (VGIC36)
	G3201997FG		DOOR SUBASSY XFGX (VGSS36)
	G3201997FGBR		DOOR SUBASSY XFGXBRX (VGIC36)
	G3201997PL		DOOR SUBASSY XPLX (VGSS36)
	G3201997PLBR		DOOR SUBASSY XPLXBRX (VGIC36)
	G3201997SS		DOOR SUBASSYXSSX (VGSS36)
	G3201997SSBR		DOOR SUBASSY XSSXBRX (VGIC36)
	G3201997VB		DOOR SUBASSY XVBX (VGSS36)
	G3201997VBBR		DOOR SUBASSY XVBXBRX (VGIC36)
	G3201997WH		DOOR SUBASSY XWHX (VGSS36)
	G3201997WHBR		DOOR SUBASSY XWHX (VGSS36)
NI	G3201999AL		DOOR SUBASSY XALX (VGSS36)
	G3201999ALBR		DOOR SUBASSYXALX (VGSS36)
	G3201999BK		DOOR SUBASSY XBKX (VGSS36)
	G3201999BKBR		DOOR SUBASSY XBKX (VGSS36)
	G3201999BU		COMPLETE DOOR ASSEMBLY W/O WINDOW - BU

Ref #	Part Number	Qty.	Description
	G3201999BU		COMPLETE DOOR ASSEMBLY W/O WINDOW - BU
	G3201999BUBR		COMPLETE DOOR ASSEMBLY W/O WINDOW - BUBR
	G3201999FG		COMPLETE DOOR ASSEMBLY W/O WINDOW - FG
	G3201999FGBR		COMPLETE DOOR ASSEMBLY W/O WINDOW - FGBR
	G3201999PL		COMPLETE DOOR ASSEMBLY W/O WINDOW - PL
	G3201999PLBR		COMPLETE DOOR ASSEMBLY W/O WINDOW - PLBR
	G3201999SS		DOOR SUBASSY XSSX (VGSS36)
	G3201999SSBR		DOOR SUBASSY (SS/XBRX) (VGSS36)
	G3201999VB		COMPLETE DOOR ASSEMBLY W/O WINDOW - VB
	G3201999VBBR		COMPLETE DOOR ASSEMBLY W/O WINDOW - VBBR
	G3201999WH		DOOR SUBASSY XWHX (VGSS36)
	G3201999WHBR		DOOR SUBASSY XWHX (VGSS36)