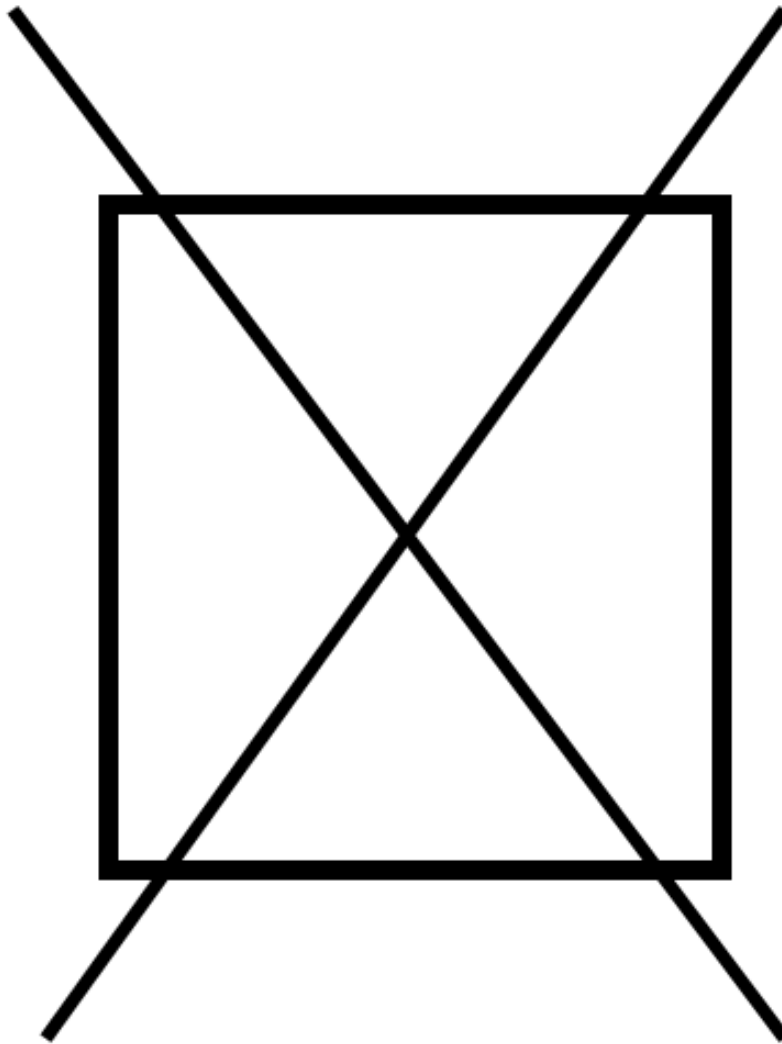


VGSS480

48 DOOR (LH)	1
48 DOOR (RH)	2
BURNER BOX EXTERIOR ASSY	3
BURNER BOX SUBASSY	4
CONTROL-RACK ASSY	5
GAS ELECTRICAL ASSEMBLY	6
GRIDDLE ASSY	7
GRILL ASSY	8
LH CONTROL RACK ASSEMBLY	9
PANEL-OVEN ASSY	10
Appendix A:Pages Index	A
Appendix B:Parts Index	B

48 DOOR (LH)

NON
ILLUSTRATED PART





Item	Part No.	Name	Qty	Uom	NOTES
A	PE010030	LOGO 6" (VGRC) *BK*	1	EA	
Not Shown	PE010031	LOGO 6" (VGRC) *BK/WH*	1	EA	NO LONGER AVAILABLE
Not Shown	PE010068	6" LOGO (VIKING/PROF) BK/BR	1	EA	
Not Shown	PE010076	LOGO 6" (VGRC) *BR/WH*	1	EA	NO LONGER AVAILABLE
B	PE060011	J-MOLD - 1" RADIUS LH VGRC48	1	EA	
Not Shown	PE060021	J-MOLD (VGRC48 LH DOOR) *BR*	1	EA	NO LONGER AVAILABLE
C	000268-000	HANDLE ENDCAP	1	EA	
Not Shown	PE030001PVD	END CAP DOOR HANDLE *BR	1	EA	
D	PE030008	DOOR HANDLE - LH 48VGRC	1	EA	NO LONGER AVAILABLE
PE030014	PE030014PVD	DOOR HANDLE - LH - (48") PVD	1	EA	
E	A2001622	OUTER GLASS RETAINER LH (VGRC48)	1	EA	NO LONGER AVAILABLE, Not available online / Call for pricing and availability
F	A1001513	DOOR HEAT BAFFLE LH (VGRC48)	1	EA	
G	PB070034	INSULATION-TRS-10 1" X 20" X 77' ROLL	1	EA	NO LONGER AVAILABLE
H	A2001621	INNER GLASS RETAINER LH (VGRC48)	1	EA	NO LONGER AVAILABLE, Not available online / Call for pricing and availability
J	PE060012	GLASS-HIGH TEMPERATURE LH VGRC48	1	EA	
K	PB070014	DOOR GLASS SEAL STRIP - WINDOW DRS.	1	EA	
L	H9101971	OVEN DR LINER ASSY LH (VGSS48)	1	EA	NO LONGER AVAILABLE
Not Shown	H9101972	OVEN DR LINER ASSY LH (VGSS48)	1	EA	
M	A2001961	DR. INSUL. RETAINER LH W/W (VGSS48)	1	EA	NO LONGER AVAILABLE, Not available online / Call for pricing and availability



Item	Part No.	Name	Qty	Uom	NOTES
Not Shown	A2001962	DR. INSUL. RETAINER LH N/W (VGSS48)	1	EA	NO LONGER AVAILABLE, Not available online / Call for pricing and availability
N	PE060013	GLASS-TEMPERED, SCREENED LH VGRC48	1	EA	
O	H3001967	O/S DR PANEL LH W/W (VGSS48)	1	EA	
Not Shown	H9001968AL	O/S DR PANEL LH *AL* (VGSS48) W/W	1	EA	NO LONGER AVAILABLE, Not available online / Call for pricing and availability
Not Shown	H9001968BK	O/S DR PANEL LH *BK* (VGSS48) W/W	1	EA	Not available online / Call for pricing and availability
Not Shown	H9001968BU	O/S DR PANEL LH *BU* (VGIC48)	1	EA	NO LONGER AVAILABLE, Not available online / Call for pricing and availability
Not Shown	H9001968FG	O/S DR PANEL LH *FG* (VGIC48)	1	EA	NO LONGER AVAILABLE, Not available online / Call for pricing and availability
Not Shown	H9001968PL	O/S DR PANEL LH *PL* (VGIC48)	1	EA	NO LONGER AVAILABLE, Not available online / Call for pricing and availability
Not Shown	H9001968VB	O/S DR PANEL LH *VB* (VGIC48)	1	EA	NO LONGER AVAILABLE, Not available online / Call for pricing and availability
Not Shown	H9001968WH	O/S DR PANEL LH *WH* (VGSS48) W/W	1	EA	
Not Shown	B2001964	O/S DOOR PANEL LH N/W (VGSS480)	1	EA	NO LONGER AVAILABLE, Not available online / Call for pricing and availability
Not Shown	C9001966AL	O/S DOOR PANEL LH *AL* (VGSS480) N	1	EA	NO LONGER AVAILABLE, Not available online / Call for pricing and availability

Item	Part No.	Name	Qty	Uom	NOTES
Not Shown	C9001966BK	O/S DOOR PANEL LH *BK* (VGSS480) N	1	EA	NO LONGER AVAILABLE, Not available online / Call for pricing and availability
Not Shown	C9001966BU	O/S DOOR PANEL LH *BU* (VGIC48)	1	EA	NO LONGER AVAILABLE, Not available online / Call for pricing and availability
Not Shown	C9001966FG	O/S DOOR PANEL LH *FG* (VGIC48)	1	EA	NO LONGER AVAILABLE, Not available online / Call for pricing and availability
Not Shown	C9001966PL	O/S DOOR PANEL LH *PL* (VGIC48)	1	EA	NO LONGER AVAILABLE, Not available online / Call for pricing and availability
Not Shown	C9001966VB	O/S DOOR PANEL LH *VB* (VGIC48)	1	EA	NO LONGER AVAILABLE, Not available online / Call for pricing and availability
Not Shown	C9001966WH	O/S DOOR PANEL LH *WH* (VGSS480) N/	1	EA	NO LONGER AVAILABLE, Not available online / Call for pricing and availability
P	G3202041AL	DOOR SUBASSY LH *AL* (VGSS48)	1	EA	NO LONGER AVAILABLE, Not available online / Call for pricing and availability
Not Shown	G3202041ALBR	DOOR SUBASSY LH *AL* (VGSS48)	1	EA	NO LONGER AVAILABLE, Not available online / Call for pricing and availability
Not Shown	G3202041BK	DOOR SUBASSY LH *BK* (VGSS48)	1	EA	NO LONGER AVAILABLE, Not available online / Call for pricing and availability
Not Shown	G3202041BKBR	DOOR SUBASSY LH *BK* (VGSS48)	1	EA	NO LONGER AVAILABLE, Not available online / Call for pricing and availability
Not Shown	G3202041BU	DOOR SUBASSY LH *BU* (VGSS48)	1	EA	NO LONGER AVAILABLE, Not available online / Call for pricing and availability



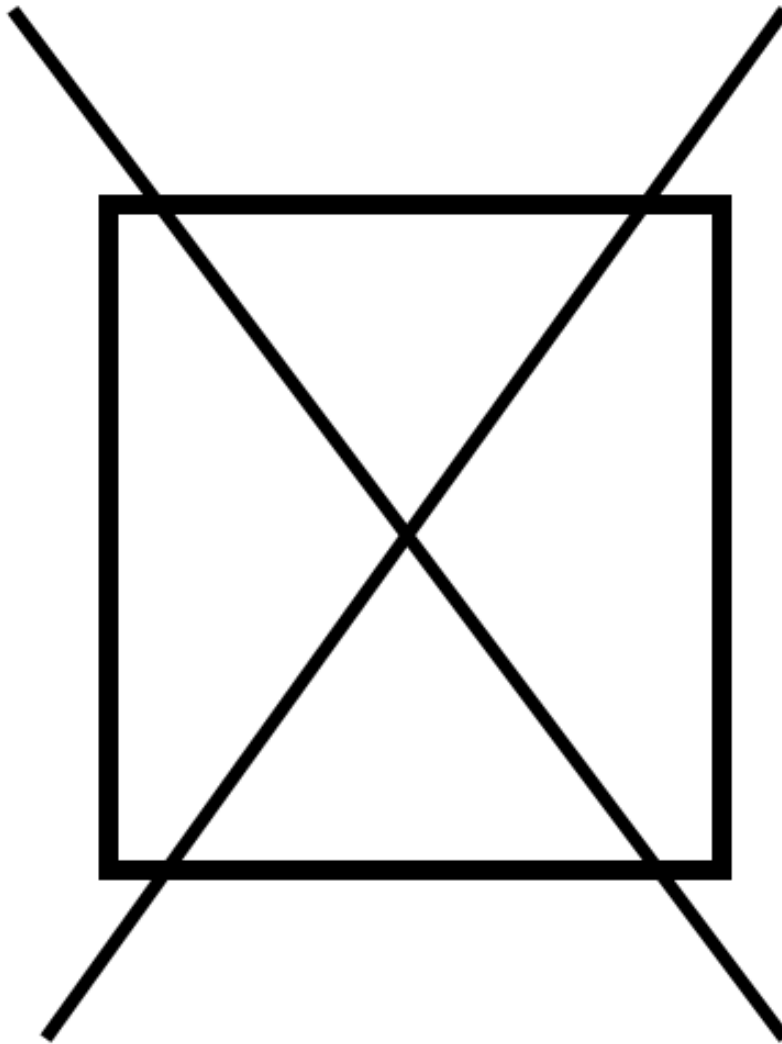
Item	Part No.	Name	Qty	Uom	NOTES
Not Shown	G3202041BUBR	DOOR SUBASSY LH *BU*BR* (VGIC48)	1	EA	NO LONGER AVAILABLE, Not available online / Call for pricing and availability
Not Shown	G3202041FG	DOOR SUBASSY LH *FG* (VGSS48)	1	EA	NO LONGER AVAILABLE, Not available online / Call for pricing and availability
Not Shown	G3202041FGBR	DOOR SUBASSY LH *FG*BR* (VGIC48)	1	EA	NO LONGER AVAILABLE, Not available online / Call for pricing and availability
Not Shown	G3202041PL	DOOR SUBASSY LH *PL* (VGSS48)	1	EA	NO LONGER AVAILABLE, Not available online / Call for pricing and availability
Not Shown	G3202041PLBR	DOOR SUBASSY LH *PL*BR* (VGIC48)	1	EA	NO LONGER AVAILABLE, Not available online / Call for pricing and availability
Not Shown	G3202041SS	DOOR SUBASSY LH *SS* (VGSS48)	1	EA	NO LONGER AVAILABLE
Not Shown	G3202041SSBR	DOOR SUBASSY LH *BR*(VGSS48)	1	EA	NO LONGER AVAILABLE, Not available online / Call for pricing and availability
Not Shown	G3202041VB	DOOR SUBASSY LH *VB* (VGSS48)	1	EA	NO LONGER AVAILABLE, Not available online / Call for pricing and availability
Not Shown	G3202041VBBR	DOOR SUBASSY LH *VB*BR* (VGIC48)	1	EA	NO LONGER AVAILABLE, Not available online / Call for pricing and availability
Not Shown	G3202041WH	DOOR SUBASSY LH *WH* (VGSS48)	1	EA	NO LONGER AVAILABLE, Not available online / Call for pricing and availability
Not Shown	G3202041WHBR	DOOR SUBASSY LH *WH*(VGSS48)	1	EA	NO LONGER AVAILABLE, Not available online / Call for pricing and availability

Item	Part No.	Name	Qty	Uom	NOTES
NI	G3202043AL	DOOR SUBASSY LH *AL* (VGSS48)	1	EA	NO LONGER AVAILABLE, Not available online / Call for pricing and availability
Not Shown	G3202043ALBR	DOOR SUBASSY LH *AL* (VGSS48)	1	EA	NO LONGER AVAILABLE, Not available online / Call for pricing and availability
Not Shown	G3202043BK	DOOR SUBASSY LH *BK* (VGSS48)	1	EA	NO LONGER AVAILABLE, Not available online / Call for pricing and availability
Not Shown	G3202043BKBR	DOOR SUBASSY LH *BK* (VGSS48)	1	EA	NO LONGER AVAILABLE, Not available online / Call for pricing and availability
Not Shown	G3202043BU	DOOR SUBASSY LH *BU* (VGSS48)	1	EA	NO LONGER AVAILABLE, Not available online / Call for pricing and availability
Not Shown	G3202043BUBR	DOOR SUBASSY LH *BU* (VGIC48)	1	EA	NO LONGER AVAILABLE, Not available online / Call for pricing and availability
Not Shown	G3202043FG	DOOR SUBASSY LH *FG* (VGSS48)	1	EA	NO LONGER AVAILABLE, Not available online / Call for pricing and availability
Not Shown	G3202043FGBR	DOOR SUBASSY LH *FG* (VGIC48)	1	EA	NO LONGER AVAILABLE, Not available online / Call for pricing and availability
Not Shown	G3202043PL	DOOR SUBASSY LH *PL* (VGSS48)	1	EA	NO LONGER AVAILABLE, Not available online / Call for pricing and availability
Not Shown	G3202043PLBR	DOOR SUBASSY LH *PL* (VGIC48)	1	EA	NO LONGER AVAILABLE, Not available online / Call for pricing and availability
Not Shown	G3202043SS	DOOR SUBASSY LH *SS* (VGSS48)	1	EA	NO LONGER AVAILABLE, Not available online / Call for pricing and availability



Item	Part No.	Name	Qty	Uom	NOTES
Not Shown	G3202043SSBR	DOOR SUBASSY LH *BR*(VGSS48)	1	EA	NO LONGER AVAILABLE, Not available online / Call for pricing and availability
Not Shown	G3202043VB	DOOR SUBASSY LH *VB*(VGSS48)	1	EA	NO LONGER AVAILABLE, Not available online / Call for pricing and availability
Not Shown	G3202043VBBR	DOOR SUBASSY LH *VB*BR*(VGIC48)	1	EA	NO LONGER AVAILABLE, Not available online / Call for pricing and availability
Not Shown	G3202043WH	DOOR SUBASSY LH *WH*(VGSS48)	1	EA	NO LONGER AVAILABLE, Not available online / Call for pricing and availability
Not Shown	G3202043WHBR	DOOR SUBASSY LH *WH*(VGSS48)	1	EA	NO LONGER AVAILABLE, Not available online / Call for pricing and availability

NON
ILLUSTRATED PART





Item	Part No.	Name	Qty	Uom	NOTES
B	PE060007	J-MOLD (1" RADIUS)	1	EA	
Not Shown	PE060020	J-MOLD (VGSO OVN DOOR) *BR*	1	EA	NO LONGER AVAILABLE
C	000268-000	HANDLE ENDCAP	1	EA	
Not Shown	PE030001PVD	END CAP DOOR HANDLE *BR	1	EA	
D	PE030005	DOOR HANDLE - VGSC30/RC60/RC48RH	1	EA	
Not Shown	PE030012	HANDLE - BR	1	EA	Not available online / Call for pricing and availability
E	A2001447	OUTER DOOR GLASS RETAINER	1	EA	
F	A1001381	DOOR HEAT BAFFLE (VGSC/VGSS)	1	EA	
G	PB070034	INSULATION-TRS-10 1" X 20" X 77' ROLL	1	EA	NO LONGER AVAILABLE
H	A2001480	INNER DOOR GLASS RETAINER	1	EA	
J	PE060008	GLASS REPL PE060009	1	EA	
K	PB070014	DOOR GLASS SEAL STRIP - WINDOW DRS.	1	EA	
L	H9101928	OVEN DR LINER ASSY (30)W/W D (MC)	1	EA	
Not Shown	H9101929	OVEN DR LINER ASSY (SS/SC)N/W MC	1	EA	
M	A2001718	DOOR INSUL RETAINER (VGSC/SS) W/W	1	EA	NO LONGER AVAILABLE
Not Shown	A2001719	DOOR INSUL RETAINER (VGSC/SS) N/W	1	EA	NO LONGER AVAILABLE, Not available online / Call for pricing and availability
N	PE060018	OVEN GLASS-TEMPERED,SCREENED*BK*	1	EA	
O	H3002036	O/S DOOR PANEL RH *SS* (VGSS48)	1	EA	
Not Shown	H9002037AL	O/S DR PANEL RH *AL* (VGSS480)	1	EA	NO LONGER AVAILABLE, Not available online / Call for pricing and availability



Item	Part No.	Name	Qty	Uom	NOTES
Not Shown	H9002037BK	O/S DR PANEL RH *BK* (VGSS480)	1	EA	Not available online / Call for pricing and availability
Not Shown	H9002037BU	O/S DR PANEL RH *BU* (VGIC48)	1	EA	NO LONGER AVAILABLE, Not available online / Call for pricing and availability
Not Shown	H9002037FG	O/S DR PANEL RH *FG* (VGIC48)	1	EA	NO LONGER AVAILABLE, Not available online / Call for pricing and availability
Not Shown	H9002037PL	O/S DR PANEL RH *PL* (VGIC48)	1	EA	NO LONGER AVAILABLE, Not available online / Call for pricing and availability
Not Shown	H9002037VB	O/S DR PANEL RH *VB* (VGIC48)	1	EA	NO LONGER AVAILABLE, Not available online / Call for pricing and availability
Not Shown	H9002037WH	O/S DR PANEL RH *WH* (VGSS480)	1	EA	NO LONGER AVAILABLE, Not available online / Call for pricing and availability
Not Shown	B2002033	O/S DOOR PANEL RH N/W *SS* (VGSS480)	1	EA	NO LONGER AVAILABLE, Not available online / Call for pricing and availability
Not Shown	C9002035AL	O/S DOOR PANEL RH *AL* (VGSS480) N/	1	EA	NO LONGER AVAILABLE, Not available online / Call for pricing and availability
Not Shown	C9002035BK	O/S DOOR PANEL RH *BK* (VGSS480) N/	1	EA	NO LONGER AVAILABLE, Not available online / Call for pricing and availability
Not Shown	C9002035BU	O/S DOOR PANEL RH *BU* (VGIC48)	1	EA	NO LONGER AVAILABLE, Not available online / Call for pricing and availability
Not Shown	C9002035FG	O/S DOOR PANEL RH *FG* (VGIC48)	1	EA	NO LONGER AVAILABLE, Not available online / Call for pricing and availability

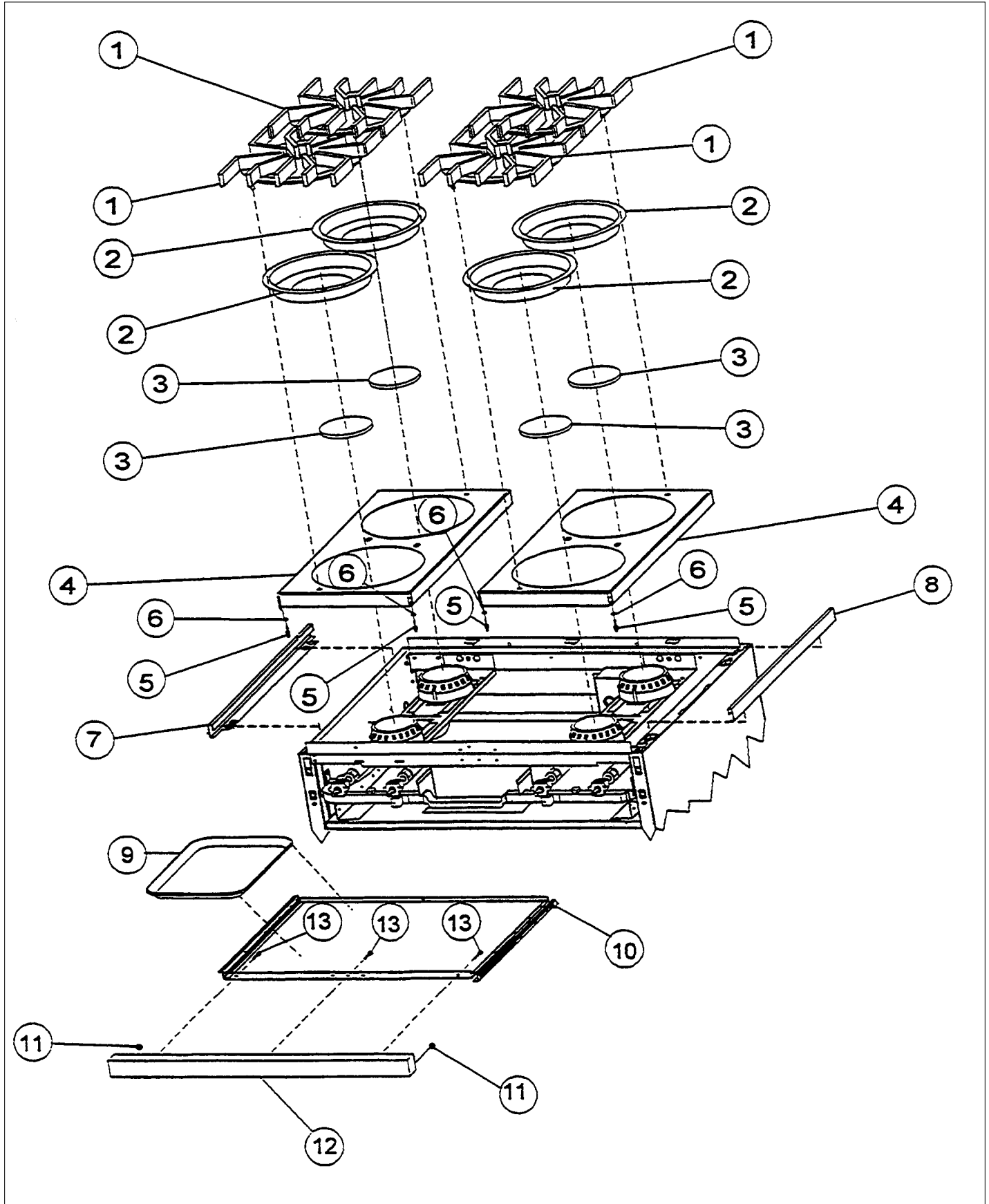
Item	Part No.	Name	Qty	Uom	NOTES
Not Shown	C9002035PL	O/S DOOR PANEL RH *PL* (VGSS48)	1	EA	NO LONGER AVAILABLE, Not available online / Call for pricing and availability
Not Shown	C9002035VB	O/S DOOR PANEL RH *VB* (VGIC48)	1	EA	NO LONGER AVAILABLE, Not available online / Call for pricing and availability
Not Shown	C9002035WH	O/S DOOR PANEL RH *WH* (VGSS480) N/	1	EA	NO LONGER AVAILABLE, Not available online / Call for pricing and availability
P	G3202045AL	DOOR SUBASSY RH *AL* (VGSS48)	1	EA	NO LONGER AVAILABLE, Not available online / Call for pricing and availability
Not Shown	G3202045ALBR	DOOR SUBASSY RH *AL*(VGSS48)	1	EA	NO LONGER AVAILABLE, Not available online / Call for pricing and availability
Not Shown	G3202045BK	DOOR SUBASSY RH *BK* (VGSS48)	1	EA	NO LONGER AVAILABLE, Not available online / Call for pricing and availability
Not Shown	G3202045BKBR	DOOR SUBASSY RH *BK* (VGSS48)	1	EA	NO LONGER AVAILABLE, Not available online / Call for pricing and availability
Not Shown	G3202045BU	COMPLETE DOOR ASSEMBLY W/ WINDOW - BU	1	EA	Not available online / Call for pricing and availability
Not Shown	G3202045BUBR	DOOR SUBASSY RH *BU*BR* (VGIC48)	1	EA	NO LONGER AVAILABLE, Not available online / Call for pricing and availability
Not Shown	G3202045FG	COMPLETE DOOR ASSEMBLY W/ WINDOW - FG	1	EA	Not available online / Call for pricing and availability
Not Shown	G3202045FGBR	DOOR SUBASSY RH *FG*BR* (VGIC48)	1	EA	NO LONGER AVAILABLE, Not available online / Call for pricing and availability

Item	Part No.	Name	Qty	Uom	NOTES
Not Shown	G3202045PL	COMPLETE DOOR ASSEMBLY W/ WINDOW - PL	1	EA	Not available online / Call for pricing and availability
Not Shown	G3202045PLBR	DOOR SUBASSY RH *PL*BR* (VGIC48)	1	EA	NO LONGER AVAILABLE, Not available online / Call for pricing and availability
Not Shown	G3202045SS	DOOR SUBASSY RH *SS* (VGSS48)	1	EA	Not available online / Call for pricing and availability
Not Shown	G3202045SSBR	DOOR SUBASSY RH *BR*(VGSS48)	1	EA	NO LONGER AVAILABLE, Not available online / Call for pricing and availability
Not Shown	G3202045VB	DOOR SUBASSY RH *VB* (VGSS48)	1	EA	NO LONGER AVAILABLE, Not available online / Call for pricing and availability
Not Shown	G3202045VBBR	DOOR SUBASSY RH *VB*BR* (VGIC48)	1	EA	NO LONGER AVAILABLE, Not available online / Call for pricing and availability
Not Shown	G3202045WH	DOOR SUBASSY RH *WH* (VGSS480)	1	EA	NO LONGER AVAILABLE, Not available online / Call for pricing and availability
Not Shown	G3202045WHBR	DOOR SUBASSY RH *WH* (VGSS48)	1	EA	NO LONGER AVAILABLE, Not available online / Call for pricing and availability
NI	G3202046AL	COMPLETE DOOR ASSEMBLY W/O WINDOW - AL	1	EA	Not available online / Call for pricing and availability
Not Shown	G3202046ALBR	COMPLETE DOOR ASSEMBLY W/O WINDOW - ALBR	1	EA	Not available online / Call for pricing and availability
Not Shown	G3202046BK	COMPLETE DOOR ASSEMBLY W/O WINDOW - BK	1	EA	Not available online / Call for pricing and availability
Not Shown	G3202046BKBR	COMPLETE DOOR ASSEMBLY W/O WINDOW - BKBR	1	EA	Not available online / Call for pricing and availability



Item	Part No.	Name	Qty	Uom	NOTES
Not Shown	G3202046BU	COMPLETE DOOR ASSEMBLY W/O WINDOW - BU	1	EA	Not available online / Call for pricing and availability
Not Shown	G3202046BUBR	COMPLETE DOOR ASSEMBLY W/O WINDOW - BUBR	1	EA	Not available online / Call for pricing and availability
Not Shown	G3202046FG	COMPLETE DOOR ASSEMBLY W/O WINDOW - FG	1	EA	Not available online / Call for pricing and availability
Not Shown	G3202046FGBR	COMPLETE DOOR ASSEMBLY W/O WINDOW - FGBR	1	EA	Not available online / Call for pricing and availability
Not Shown	G3202046PL	COMPLETE DOOR ASSEMBLY W/O WINDOW - PL	1	EA	Not available online / Call for pricing and availability
Not Shown	G3202046PLBR	COMPLETE DOOR ASSEMBLY W/O WINDOW - PLBR	1	EA	Not available online / Call for pricing and availability
Not Shown	G3202046SS	COMPLETE DOOR ASSEMBLY W/O WINDOW - SS	1	EA	Not available online / Call for pricing and availability
Not Shown	G3202046SSBR	COMPLETE DOOR ASSEMBLY W/O WINDOW - SSBR	1	EA	Not available online / Call for pricing and availability
Not Shown	G3202046VB	COMPLETE DOOR ASSEMBLY W/O WINDOW - VB	1	EA	Not available online / Call for pricing and availability
Not Shown	G3202046VBBR	COMPLETE DOOR ASSEMBLY W/O WINDOW - VBBR	1	EA	Not available online / Call for pricing and availability
Not Shown	G3202046WH	COMPLETE DOOR ASSEMBLY W/O WINDOW - WH	1	EA	Not available online / Call for pricing and availability
Not Shown	G3202046WHBR	COMPLETE DOOR ASSEMBLY W/O WINDOW - WHBR	1	EA	Not available online / Call for pricing and availability

BURNER BOX EXTERIOR ASSY



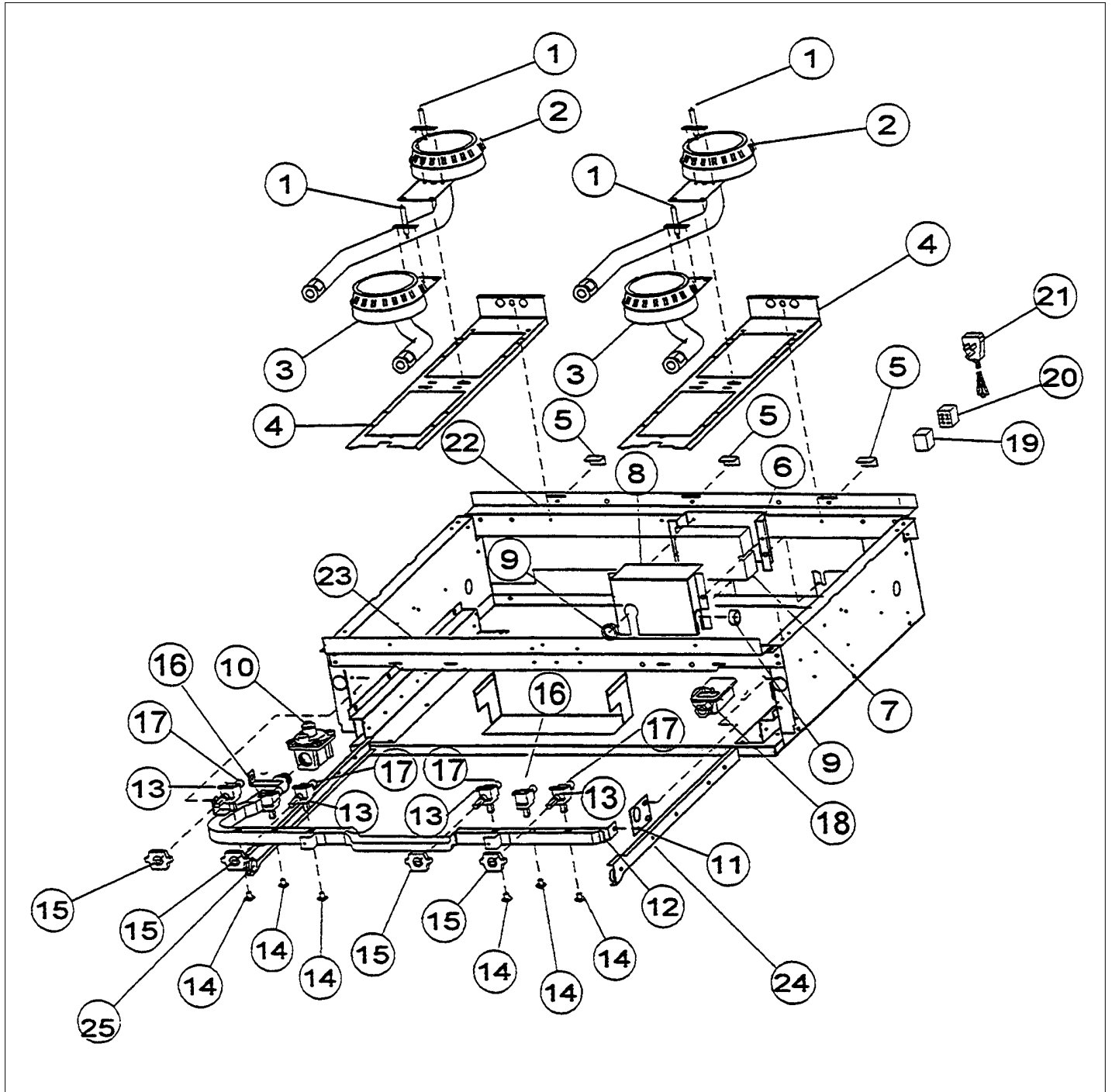


Item	Part No.	Name	Qty	Uom	NOTES
1	PA060037	GRATE BK REPL PA060024 (GEN.#2)	1	EA	
Comments for Part Num. PA060037					
bradleysapplianceservice@shaw.ca on Jun 16, 2020					
SUBS TO: 067027-000 GRATE BK 10 X 11					
Not Shown	PA060038	GRAY GRATES	1	EA	
2	PA030002AL	BURNER BOWL - AL (FOR USE WITH UPGRADE KIT) NLA	1	EA	
Not Shown	PA030002BK	BURNER BOWL (VGRT) **BK**	1	EA	
Not Shown	PA030002FG	BURNER BOWL - FG (FOR USE WITH UPGRADE KIT) NLA	1	EA	
Not Shown	PA030002PL	BURNER BOWL (VGRT) **PL** NLA	1	EA	Not available online / Call for pricing and availability
Not Shown	PA030002VB	BURNER BOWL (VGRT) **VB** NLA	1	EA	
Not Shown	PA030002WH	BURNER BOWL (VGRT) **WH**	1	EA	
3	066982-000	CAP, BURNER, OPEN, BLK	1	EA	
Not Shown	PA080016	BURNER CAP-VGRT (GRAY-MATT)	1	EA	
4	G50013584AL	GRATE SUPPORT - AL	1	EA	
Not Shown	G50013584BK	GRATE SUPPORT SERVICE KIT (BK)	1	EA	
Not Shown	G50013584FG	GRATE SUPPORT - FG	1	EA	Not available online / Call for pricing and availability
Not Shown	G50013584PL	GRATE SUPPORT - PL	1	EA	Not available online / Call for pricing and availability
Not Shown	G50013584VB	GRATE SUPPORT - VB	1	EA	
Not Shown	G50013584WH	GRATE SUPPORT SERVICE KIT (WH)	1	EA	
5	PD010017	BALL STUD (VGRT)	1	EA	
6	PD030012	6-32 HEX NUT	1	EA	
7	B2002346	SIDE TRIM - LH (VGSS)	1	EA	



Item	Part No.	Name	Qty	Uom	NOTES
Not Shown	C9302346BR	SIDE TRIM - LH (VGSS) *BR*	1	EA	Not available online / Call for pricing and availability
8	B2002345	SIDE TRIM - RH (VGSS)	1	EA	
Not Shown	C9302345BR	SIDE TRIM - RH (VGSS) *BR*	1	EA	
9	J2101749	GREASE PAN	1	EA	
Not Shown	NOTE	(AFTER SERIAL # R12139612235)		EA	
PB08001 1	PS510002	GREASE PAN (REPLACES PB080011)	1	EA	
Not Shown	NOTE	(BEFORE SERIAL # R12139612235)		EA	
10	G3103161	DRIP TRAY REPL G3101176	1	EA	NO LONGER AVAILABLE, Not available online / Call for pricing and availability
Not Shown	NOTE	(AFTER SERIAL # R12139612235)		EA	
11	PD040004	GROMMET BUMPER	1	EA	
12	B3001149	SUB TO PK010019	1	EA	NO LONGER AVAILABLE, Not available online / Call for pricing and availability
Not Shown	C9301149PVD	D/T HNDLE REPL 48'REPL C9301149BR	1	EA	NO LONGER AVAILABLE
13	PD010003	10-24 X 1/2 PH.TR.HD.SERD.M.S.	1	EA	
NI	PD030010	#10-24 KEPS NUT ZINC PLATED	1	EA	

BURNER BOX SUBASSY





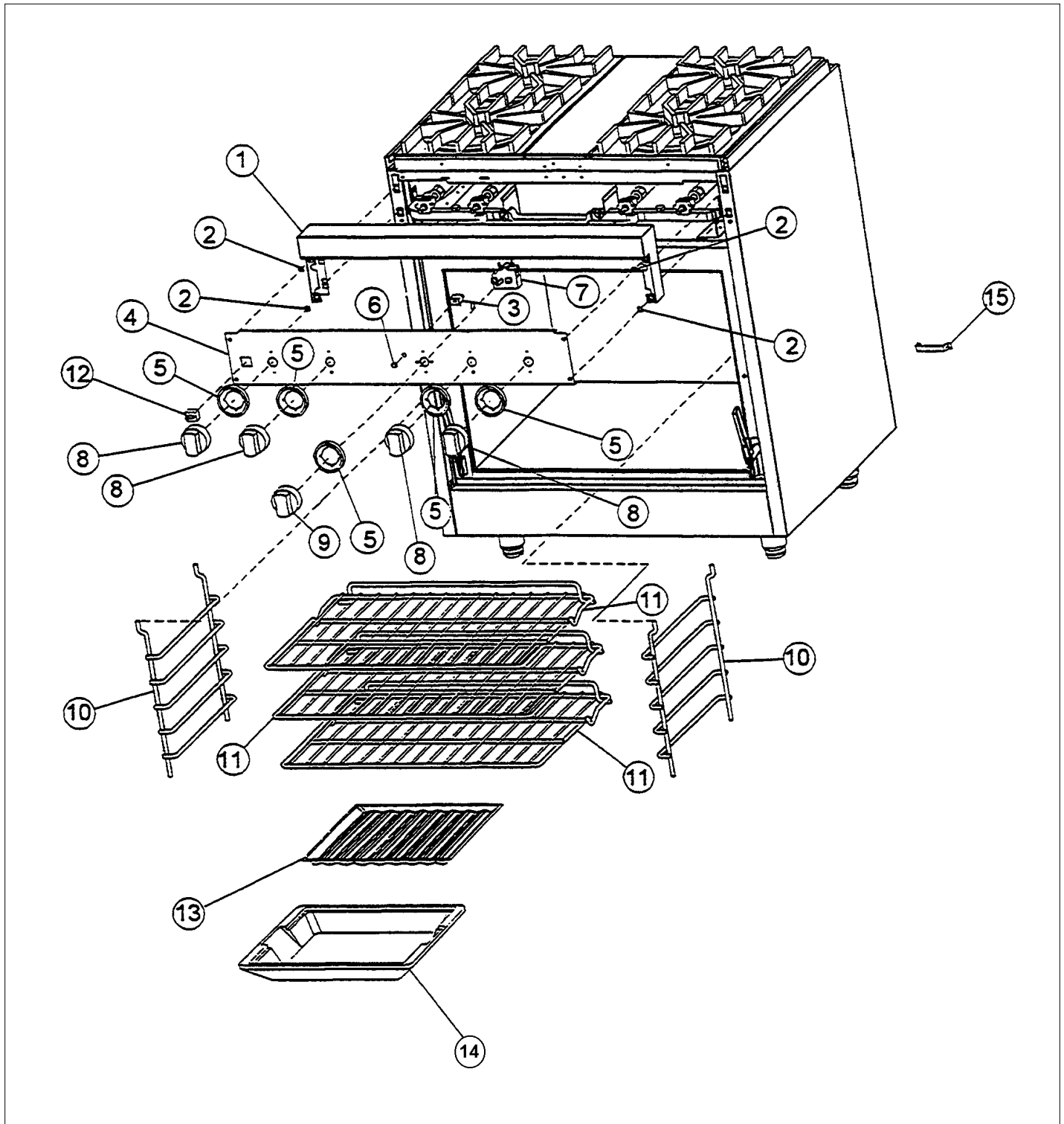
Item	Part No.	Name	Qty	Uom	NOTES
1	PA020028	SPARK IGNITER		EA	
2	PA080036	TOP BURNER REAR REPL PA080008		EA	
3	PA080037	TOP BURNER FRONT REPL PA080007		EA	
4	A2001112	BURNER SUPT (VGRT)		EA	
5	A2001147	GRATE SUPT ANGLE (VGRT)		EA	
6	A2002073	SPARK MODULE BRKT (VGSS480)		EA	
7	000511-000	SPARK MODULE		EA	
Not Shown	NOTE	(Before Serial # R11079714480)		EA	
Not Shown	PA020041	TYTRONICS 0+4 SPARK MODULE		EA	See 2018-02P
Not Shown	NOTE	(After Serial # R11079714480)		EA	
8	A2001620	SPARK MODULE COVER (VGRC)		EA	
9	PD040005	SNAP BUSHING - 7/8"		EA	
10	PA070003	PRESSURE REGULATOR (NAT.)		EA	
11	A1001138	MANIFOLD BRKT		EA	NO LONGER AVAILABLE, Not available online / Call for pricing and availability
12	002569-000	UNIVERSAL 48" MANIFOLD		EA	
13	003556-000	TOP BURNER VALVE		EA	
Not Shown	NOTE	(Before Serial # R11079714480)		EA	
13	G50012681	TOP BURNER VALVE KIT (ALUMINUM VALVE REPLACEMENT)		EA	
Not Shown	NOTE	(BEFORE 08/09/02)		EA	
Not Shown	G50012678	TOP BURNER VALVE KIT (BRASS VALVE REPLACEMENT)		EA	
Not Shown	NOTE	(Between 08/09/02 & 02/23/05)		EA	
Not Shown	003515-000	PA010157 VALVE AND BOLT KIT		EA	

Item	Part No.	Name	Qty	Uom	NOTES
Not Shown	NOTE	(After 02/23/05)		EA	
14	PD010012	VALVE BOLT 1/4-20 UNC-2B 5/16" M.S.		EA	
15	PA020011	SPARK IGN SWITCH REPL PA020012		EA	
Not Shown	NOTE	(Before Serial # R11079714480)		EA	
Not Shown	PA020015	Spark Ignition Switch		EA	
Not Shown	NOTE	(Before 2/23/05)		EA	
Not Shown	PA020045	IGNITOR SWITCH		EA	
Not Shown	NOTE	(After 2/23/05)		EA	
16	003862-000	SHUTOFF VALVE (PB030002 VALVE AND BOLT KIT)		EA	
Not Shown	NOTE	(Before 2/23/05)		EA	
Not Shown	007147-000	SHUT OFF VALVE		EA	
Not Shown	NOTE	(After 2/23/05)		EA	
17	PB040034	ORIFICE HOOD-#50 (NAT)		EA	
Not Shown	PB040036	ORIFICE HOOD-#57 (LP)		EA	
18	PB010083	SINGLE THERMAL VALVE LH (OVEN)		EA	
19	PE070070	Disconnect Block - Male		EA	
20	PE070071	Disconnect Block - Female		EA	
21	PE070128	Supply Cord		EA	
22	A2002377	REAR BURNER SUPT (VGSS48)		EA	NO LONGER AVAILABLE
23	A2001104	FRONT SUPT (48")		EA	NO LONGER AVAILABLE
24	PK000008	Drip Tray Guide - RH		EA	NO LONGER AVAILABLE
25	PK000007	DRIP TRAY GUIDE - LH (VGRT)		EA	NO LONGER AVAILABLE
NI	G4001330	SPARK IGNITOR WIRE ASSY (10")		EA	



Item	Part No.	Name	Qty	Uom	NOTES
NI	PE070719	IGNITOR WIRE KIT - VDSC3674Q		EA	
NI	G4001688	SPARK MODULE-TOP BRNR SPARKER (52)		EA	
Not Shown	NOTE	(Grill Burner, 36" / 48")		EA	

CONTROL-RACK ASSY





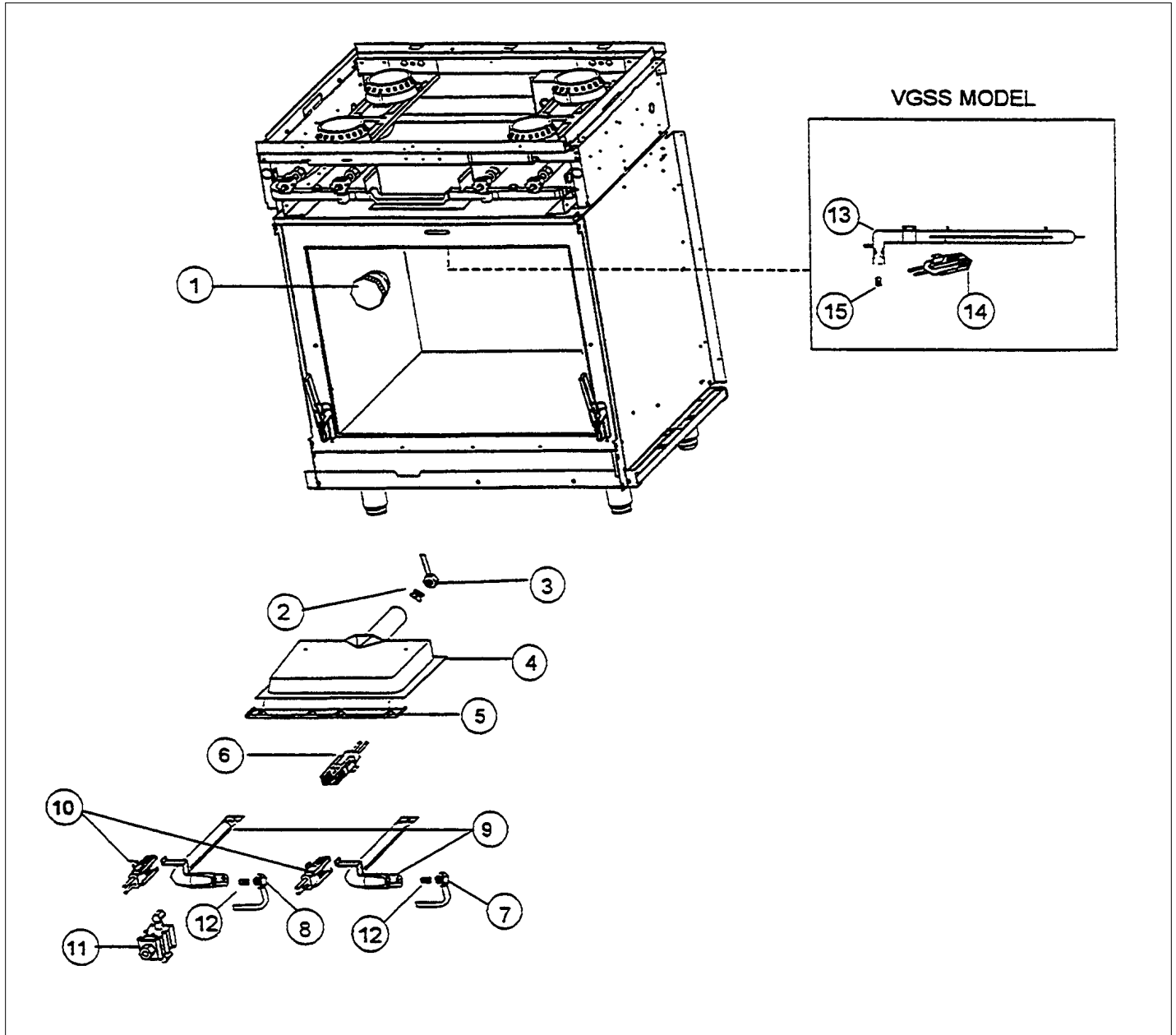
Item	Part No.	Name	Qty	Uom	NOTES
1	G3001584	LANDING LGD 48"	1	EA	
2	PD030050	10-24 CAGE NUT *SS*	1	EA	
3	PE050024	OVEN IND. LIGHT (LIGHT HOUSING)	1	EA	
<p>Comments for Part Num. PE050024</p> <p>haarnink@vikingrange.com on Jan 14, 2019 please not that the indicator light is now part 043135-000 but needs the Jumper harness 051443-000. and second option there are units in the field with a 230V indicator light part number 036566-000.</p> <p>please check this for all "E" module ranges/Tops ksturm@vikingrange.com on Apr 22, 2019 please not that the indicator light is now part 043135-000 but needs the Jumper harness 051443-000. and second option there are units in the field with a 230V indicator light part number 036566-000.</p> <p>please check this for all "E" module ranges/Tops</p>					
4	B9202029	CTRL PAN (VGSS480-6G)	1	EA	
Not Shown	B9202030	CTRL PAN (VGSS480-6Q)	1	EA	NO LONGER AVAILABLE, Not available online / Call for pricing and availability
Not Shown	B9202028	CTRL PAN (VGSS480-4GQ)	1	EA	NO LONGER AVAILABLE, Not available online / Call for pricing and availability
5	050172-000	BEZEL, KNOB	1	EA	
Not Shown	PB010209	Bezel - BR	1	EA	
6	PE050023	OVEN IND. LIGHT (LENS & BEZEL)	1	EA	NO LONGER AVAILABLE
7	PB010036	THERMOSTAT BAKE/BROIL	1	EA	
8	PA010037	TOP BURNER KNOB *BK* (VGSS) (N/STYL	1	EA	
Not Shown	NOTE	(Before Serial # R1107971448)		EA	
Not Shown	PA010038	TOP BURNER KNOB *WH* (VGSS) (N/STYL	1	EA	
Not Shown	NOTE	(Before Serial # R1107971448)		EA	

Item	Part No.	Name	Qty	Uom	NOTES
G500843 4	G50012681	TOP BURNER VALVE KIT (ALUMINUM VALVE REPLACEMENT)	1	EA	
Not Shown	NOTE	(AFTER SERIAL # R1107971448)		EA	
9	PB010099	T/STAT B/B KNOB BK REPL PB010039BK*	1	EA	
<p>Comments for Part Num. PB010099</p> <p>imardr@att.net on Nov 8, 2015 need to list the white knob for a VGIC3054BWH Reply by bradleysapplianceservice@shaw.ca on Sep 30, 2016 The White Knobs are NLA. Only Black are available. bradleysapplianceservice@shaw.ca on Sep 30, 2016 THE WHITE KNOBS ARE NLA. ONLY BLACK KNOBS ARE AVAILABLE.</p>					
Not Shown	NOTE	(AFTER 1/95)		EA	
Not Shown	PB010100	THERMOSTAT BAKE/BROIL KNOB *WH* N/S	1	EA	
Not Shown	NOTE	(AFTER 1/95)		EA	
Not Shown	PB010091	T/STAT BK/BRL KNB*BK*REP PB010016	1	EA	
Not Shown	NOTE	(BEFORE 1/95)		EA	
Not Shown	PB010092	T/STAT BAK/BROL KNB*WH*- SC/RC-(VLOX	1	EA	
Not Shown	NOTE	(BEFORE 1/95)		EA	
10	PB060030	RACK SUPT REPL PB060010	1	EA	
11	PB060038	RACK REPL PB060011	1	EA	
12	077728-000	TOGGLE SWITCH KIT, See Bulletin 2021-01P	1	EA	
<p>Comments for Part Num. 077728-000</p> <p>gboltz@VikingRange.com on May 26, 2021 This switch is visibly different than original, all similar switches should be replaced to match if desired.</p>					
Not Shown	PE050017	OVEN LIGHT SWITCH - *WH* (WES-GAR)	1	EA	
15	A2002654	ANTI-TIP DEVICE (VDSC)	1	EA	



Item	Part No.	Name	Qty	Uom	NOTES
Not Shown	NOTE	(VGSS - BEFORE 1/95)		EA	
Not Shown	PB010092	T/STAT BAK/BROL KNB*WH*-SC/RC-(VLOX	1	EA	
Not Shown	NOTE	(VGSS - BEFORE 1/95)		EA	
10	PB060030	RACK SUPT REPL PB060010	1	EA	
11	PB060017	SUB TO PB060039 -OVEN RACK	1	EA	NO LONGER AVAILABLE, Not available online / Call for pricing and availability
PB060011	PB060038	RACK REPL PB060011	1	EA	
12	077728-000	TOGGLE SWITCH KIT, See Bulletin 2021-01P	1	EA	
<p>Comments for Part Num. 077728-000</p> <p>gboltz@VikingRange.com on May 26, 2021</p> <p>This switch is visibly different than original, all similar switches should be replaced to match if desired.</p>					
Not Shown	PE050017	OVEN LIGHT SWITCH - *WH* (WES-GAR)	1	EA	
13	E9107934	BROILER PAN INSERT - NLA	1	EA	
14	E9107933	BROILER PAN	1	EA	
15	A2002654	ANTI-TIP DEVICE (VDSC)	1	EA	

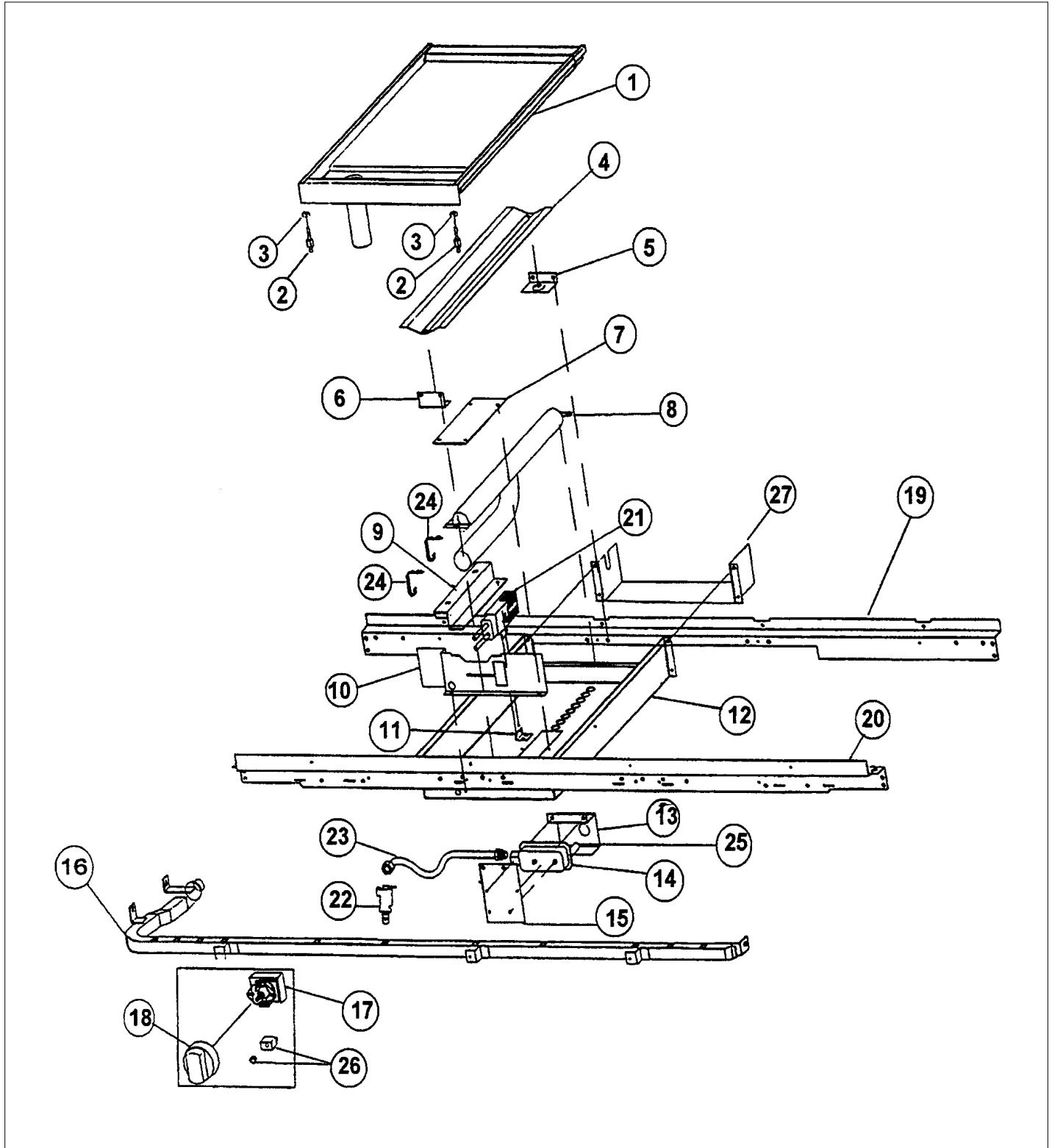
GAS ELECTRICAL ASSEMBLY





Item	Part No.	Name	Qty	Uom	NOTES
1	031449-000	LAMP, ASM	1	EA	
2	PB040040	ORIFICE-IR BURNER (VGSC) (NAT #47)	1	EA	
Not Shown	PB040027	IR BUR.SPUD ORF. - #56 LP	1	EA	
3	PB020061	TUBING - BROIL-SAFETY VALVE(VGIS48)	1	EA	
NI	PD030018	PALNUT - 3/4-16	1	EA	
4	G3001876	IR BURNER ASSY (VGSC/RC) N/S	1	EA	
5	B2001448	IR BROIL SUPT (FRONT)	1	EA	
B200226 1	020409-000	BRACKET, SPRT, FR, I/R BROILER	1	EA	
6	PB040001	Igniter	1	EA	
7	PB020023	BAKE BURNER TUBE RH OVEN	1	EA	
8	PB020022	BAKE BURNER TUBE LH OVEN	1	EA	
9	PB050012	OVEN BURNER REPL PB050009	1	EA	
10	PB040001	Igniter	1	EA	
11	PB010084	DUAL THERMAL BI-MTL GAS CTRL VALVE	1	EA	
12	PB040034	ORIFICE HOOD-#50 (NAT)	1	EA	
Not Shown	PB040036	ORIFICE HOOD-#57 (LP)	1	EA	
13	PB050011	BROIL BURNER (VGSS)	1	EA	NO LONGER AVAILABLE
14	PB040001	Igniter	1	EA	
15	PB040034	ORIFICE HOOD-#50 (NAT)	1	EA	
Not Shown	PB040036	ORIFICE HOOD-#57 (LP)	1	EA	
NI	E9101452	FLAME SPREADER 30" (VGSS)	1	EA	NOT FIELD REPLACEABLE
NI	PB020049	BROIL TUBING - (VGSS480)	1	EA	
NI	PB020218	3/8 S.S. FLEX TUBING 70"	1	EA	
NI	PB020052	SHUTOFF-DUAL THERMAL (VGSS480-6Q)	1	EA	

GRIDDLE ASSY

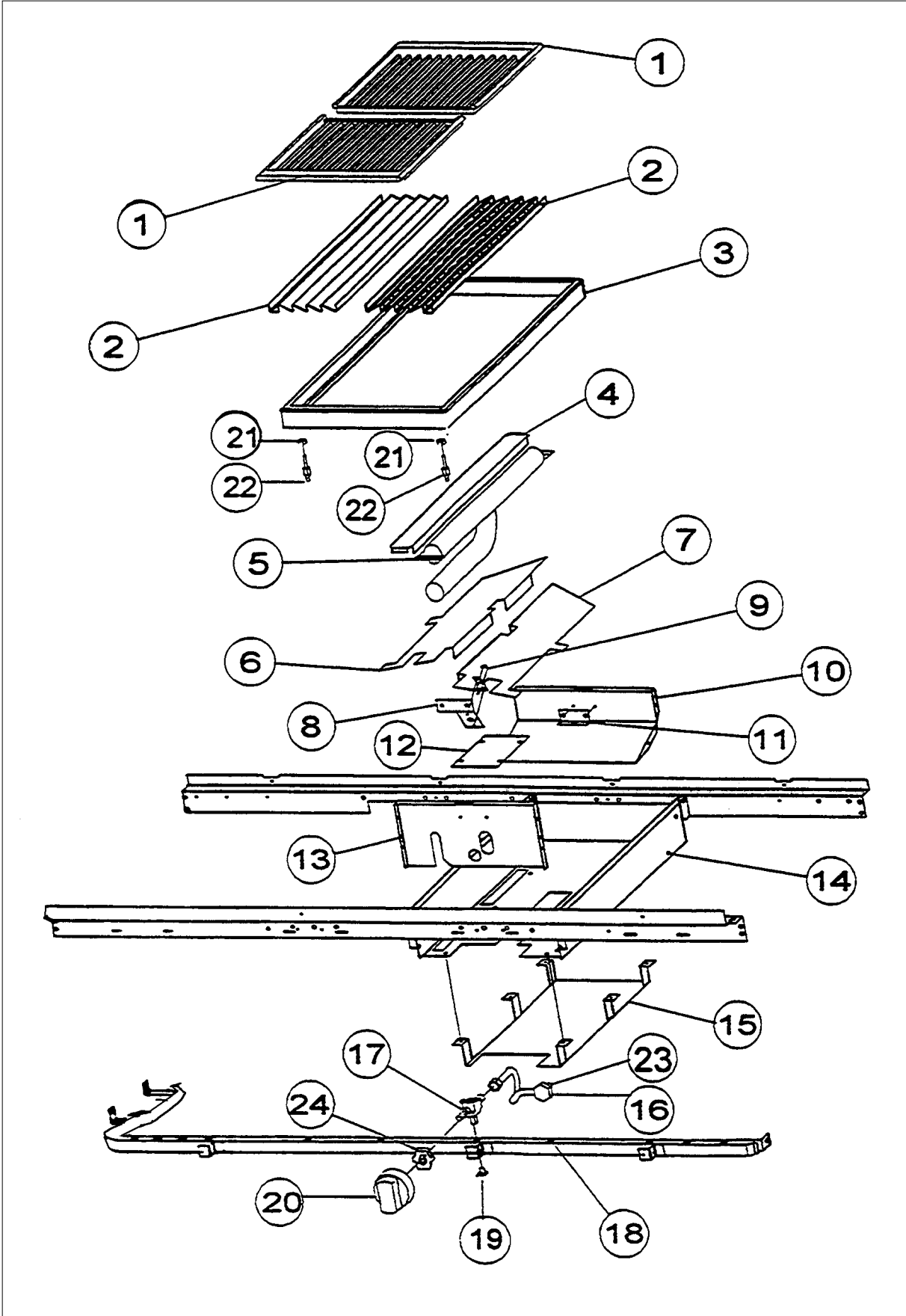


Item	Part No.	Name	Qty	Uom	NOTES
1	G3001278	GRIDDLE ASSY-12"		EA	
2	PD010017	BALL STUD (VGRT)		EA	
3	PD030012	6-32 HEX NUT		EA	
4	B2001884	GRIDDLE FLAME SHIELD		EA	
5	A2001880	REAR MTG. BRKT. GRIDDLE FLAME SHLD		EA	
6	A2001881	FRONT MTG. BRKT. GRIDDLE FLAME SHLD		EA	
7	A1001636	GRIDDLE VENTURI COVER		EA	NO LONGER AVAILABLE
8	PB050077	GRILL BURNER		EA	
9	A2001949	T/STAT BULB COVER REPL A2001883		EA	
10	A2002001	GRIDDLE HEAT BAFFLE - SLOT SUPT		EA	
11	A2001300	Griddle Igniter Bracket		EA	
12	A2001148	GRIDDLE BOX (VGRT)		EA	
13	A2001630	GRIDDLE VALVE COVER (VGRC)		EA	
14	PB010004	SINGLE SAFETY VALVE (NAT. GRIDDLE)		EA	
15	A1001198	THERMAL VALVE BRKT		EA	NO LONGER AVAILABLE, Not available online / Call for pricing and availability
16	002569-000	UNIVERSAL 48" MANIFOLD		EA	
17	PB010035	THERMOSTAT BAKE / GRIDDLE		EA	
18	PB010103	GRIDDLE KNOB N/S *BK*		EA	
Not Shown	PB010104	GRIDDLE KNOB N/S *WH*		EA	NO LONGER AVAILABLE
19	A2001908	REAR BURNER SUPT -48" (VGRT/RC)		EA	Not available online / Call for pricing and availability
20	A2001104	FRONT SUPT (48")		EA	NO LONGER AVAILABLE
21	PB040001	Igniter		EA	
22	003862-000	SHUTOFF VALVE (PB030002 VALVE AND BOLT KIT)		EA	



Item	Part No.	Name	Qty	Uom	NOTES
Not Shown	NOTE	(Before 2/23/05)		EA	
Not Shown	007147-000	SHUT OFF VALVE		EA	
Not Shown	NOTE	(After 2/23/05)		EA	
23	PB020116	TUBING - 10" FLEXIBLE 12 & 24"		EA	
24	PD030031	THERMAL BULB CLIP - .250		EA	
25	PB040035	ORIFICE HOOD-#51 9701B1651		EA	
Not Shown	PB040036	ORIFICE HOOD-#57 (LP)		EA	
26	PE050023	OVEN IND. LIGHT (LENS & BEZEL)		EA	NO LONGER AVAILABLE
Not Shown	NOTE	(Current)		EA	
Not Shown	PE050024	OVEN IND. LIGHT (LIGHT HOUSING)		EA	
<p>Comments for Part Num. PE050024</p> <p>haarnink@vikingrange.com on Jan 14, 2019 please not that the indicator light is now part 043135-000 but needs the Jumper harness 051443-000. and second option there are units in the field with a 230V indicator light part number 036566-000.</p> <p>please check this for all "E" module ranges/Tops ksturm@vikingrange.com on Apr 22, 2019 please not that the indicator light is now part 043135-000 but needs the Jumper harness 051443-000. and second option there are units in the field with a 230V indicator light part number 036566-000.</p> <p>please check this for all "E" module ranges/Tops</p>					
Not Shown	NOTE	(Current)		EA	
27	A2002147	GRIDDLE FLUE COVER (VGRT/VGSS/VGIS)		EA	
NI	PD040022	1/2 X 1/4-BUMPER (PORT. GRIDDLE)(BK		EA	
Not Shown	NOTE	(Portable Griddle Only)		EA	
NI	PD020039	' #6-32 X 1/2 PH.PN.HD. TYPE (23)		EA	
Not Shown	NOTE	(Portable Griddle Only)		EA	

GRILL ASSY



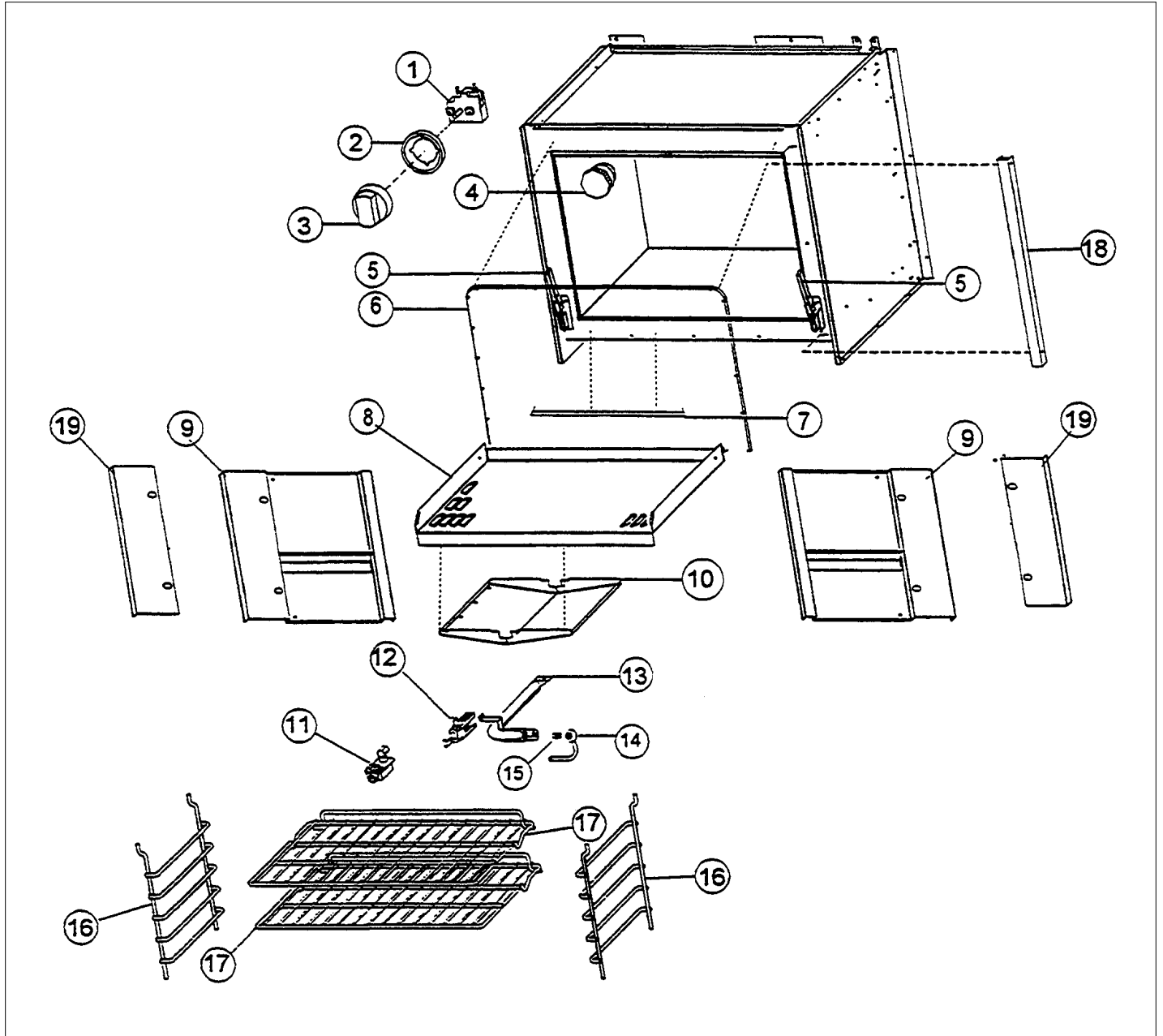


Item	Part No.	Name	Qty	Uom	NOTES
1	074908-000	GRATE, GRILL, MATT BLACK	1	EA	
PA060029	074908-000	GRATE, GRILL, MATT BLACK	1	EA	
2	072628-402	GRILL SMOKE GENERATOR	1	EA	
3	G9101182AL	GRILL GRATE SUPT (VGRT) *AL*	1	EA	NO LONGER AVAILABLE
Not Shown	G9101182BK	GRILL GRATE SUPT (VGRT) *BK*	1	EA	
Not Shown	G9101182FG	GRILL GRATE SUPT (VGRT) *FG*	1	EA	NO LONGER AVAILABLE
Not Shown	G9101182PL	GRILL GRATE SUPT (VGRT) *PL*	1	EA	NO LONGER AVAILABLE, Not available online / Call for pricing and availability
Not Shown	G9101182VB	GRILL GRATE SUPT (VGRT) *VB*	1	EA	NO LONGER AVAILABLE
Not Shown	G9101182WH	GRILL GRATE SUPT (VGRT) *WH*	1	EA	
4	B2001140	GRILL FLAME SHIELD (VGRT)	1	EA	
5	PB050077	GRILL BURNER	1	EA	
6	B2001856	GRILL HEAT DEFLECTOR-LH (VGRC60)	1	EA	
7	B2001857	GRILL HEAT DEFLECTOR-RH (VGRC60)	1	EA	
8	A2001633	GRILL FRONT SPARKER BRKT (VGRC)	1	EA	
9	PA020028	SPARK IGNITER	1	EA	
10	A2001855	GRILL BACK - (VGRC605)	1	EA	
11	A2001132	REAR GRILL BURNER BRKT (VGRT)	1	EA	
12	A1001862	GRILL VENTURI COVER (VGRC605)	1	EA	
13	A2001631	GRILL BOX FRONT (VGRC)	1	EA	
14	A2001852	GRILL BOX - (VGRC605)	1	EA	
15	A2001863	GRILL BTM SHIELD (VGRC605)	1	EA	
16	PB020025	TUBING-GRILL (REVISED) REP PB020021	1	EA	
17	PA010043	GRILL VALVE (VGIS)	1	EA	
18	002569-000	UNIVERSAL 48" MANIFOLD	1	EA	



Item	Part No.	Name	Qty	Uom	NOTES
19	PD010012	VALVE BOLT 1/4-20 UNC-2B 5/16" M.S.	1	EA	
20	PA010041	TOP GRILL KNOB *BK* (VGSS) (N/STYLE	1	EA	
Not Shown	PA010042	TOP GRILL KNOB *WH* (VGSS) (N/STYLE	1	EA	
21	PD030012	6-32 HEX NUT	1	EA	
22	PD010017	BALL STUD (VGRT)	1	EA	
23	PB040061	ORIFICE HOOD - #48	1	EA	
Not Shown	PB040062	ORIFICE HOOD-#56	1	EA	
24	PA020011	SPARK IGN SWITCH REPL PA020012	1	EA	

LH CONTROL RACK ASSEMBLY





Item	Part No.	Name	Qty	Uom	NOTES
1	PB010035	THERMOSTAT BAKE / GRIDDLE	1	EA	
2	050172-000	BEZEL, KNOB	1	EA	
Not Shown	PB010209	Bezel - BR	1	EA	
3	PB010102	THERMOSTAT BAKE KNOB N/S *WH*	1	EA	NO LONGER AVAILABLE
Not Shown	NOTE	(AFTER 1/95)		EA	
Not Shown	PB010100	THERMOSTAT BAKE/BROIL KNOB *WH* N/S	1	EA	
Not Shown	NOTE	(AFTER 1/95)		EA	
Not Shown	PB010095	THERMOSTAT KNOB - BK	1	EA	
Not Shown	NOTE	(BEFORE 1/95)		EA	
Not Shown	PB010096	T/STAT BAKE KNOB-*WH*-VGRC-(VELOX)	1	EA	
Not Shown	NOTE	(BEFORE 1/95)		EA	
4	031449-000	LAMP, ASM	1	EA	
5	PC020003	HINGE ASSY (BLUE) (MUST ORDER 2 PD020033 SCREW WHEN REPLACING HINGE)	1	EA	
6	PB070035	OVEN DR GASKET LH (VGSS48)	1	EA	
7	PB070001	OVEN DR SEAL - SIDE - NLA	1	EA	
8	G3204255	OVEN BOTTOM ASSY - LH OVEN, 48"	1	EA	NO LONGER AVAILABLE
9	E9101374	I/S OVEN LINER (VGSC/VGSS)	1	EA	
10	A2001220	OVEN BTM HEAT SHIELD LH 48"	1	EA	
11	PB010083	SINGLE THERMAL VALVE LH (OVEN)	1	EA	
12	PB040001	Igniter	1	EA	
13	PB050014	OVEN BURNER LH-	1	EA	
Not Shown	NOTE	(BEFORE 4-1-94)		EA	
Not Shown	G50013899	LH OVEN BAKE BURNER SERVICE KIT	1	EA	

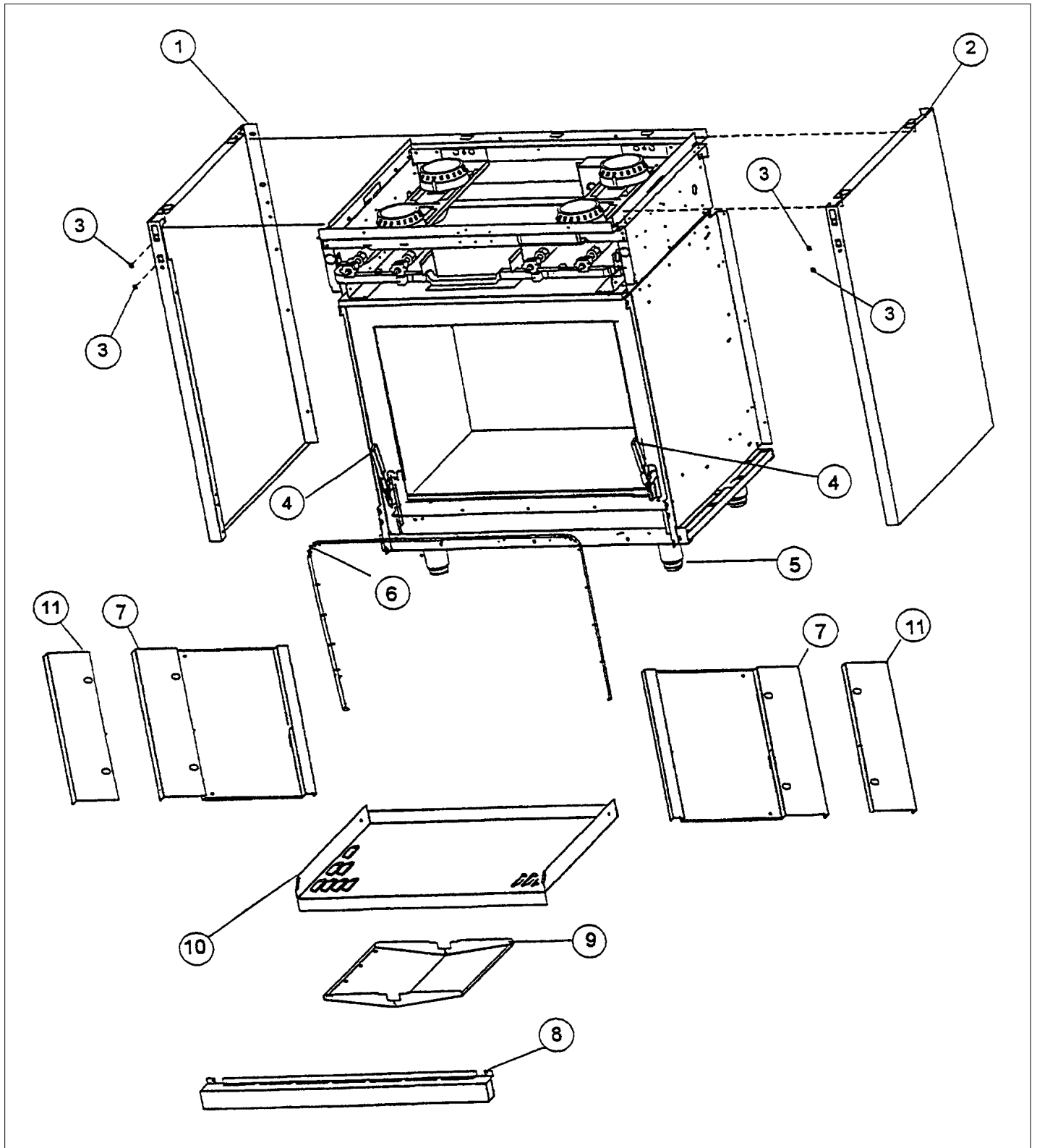


Item	Part No.	Name	Qty	Uom	NOTES
Not Shown	NOTE	(AFTER 4-1-94)		EA	
14	PB020035	TUBING-VGRC48-LH BAKE BURNER	1	EA	
15	PB040055	COMP NUT (1/4") E.C. #18-000-004-28	1	EA	
Not Shown	PB040036	ORIFICE HOOD-#57 (LP)	1	EA	
16	PB060030	RACK SUPT REPL PB060010	1	EA	
17	PB060016	SUB TO PB060040 - OVEN RACK LH	1	EA	NO LONGER AVAILABLE, Not available online / Call for pricing and availability
18	B2001974	CENTER TRIM (VGSS480)	1	EA	
Not Shown	C9001974AL	CENTER TRIM *AL* (VGSS480)	1	EA	NO LONGER AVAILABLE, Not available online / Call for pricing and availability
Not Shown	C9001974BK	CENTER TRIM *BK* (VGSS480)	1	EA	
Not Shown	C9001974BU	CENTER TRIM *BU* (VGIC48)	1	EA	NO LONGER AVAILABLE, Not available online / Call for pricing and availability
Not Shown	C9001974FG	CENTER TRIM *FG* (VGIC48)	1	EA	NO LONGER AVAILABLE, Not available online / Call for pricing and availability
Not Shown	C9001974PL	CENTER TIRM *PL* (VGIC48)	1	EA	NO LONGER AVAILABLE, Not available online / Call for pricing and availability
Not Shown	C9001974VB	CENTER TRIM *VB* (VGIC48)	1	EA	NO LONGER AVAILABLE, Not available online / Call for pricing and availability
Not Shown	C9001974WH	CENTER TRIM *WH* (VGSS480)	1	EA	NO LONGER AVAILABLE
19	E9101355	OVEN LINER HINGE COVER (VGSC/VGSS)	1	EA	NO LONGER AVAILABLE, Not available online / Call for pricing and availability



Item	Part No.	Name	Qty	Uom	NOTES
NI	PB020050	SHUTOFF-SINGLE/DUAL VALVE (SS48/36)	1	EA	NO LONGER AVAILABLE

PANEL-OVEN ASSY



Item	Part No.	Name	Qty	Uom	NOTES
1	B2001922	SIDE PANEL - SS (LH)	1	EA	Not available online / Call for pricing and availability
C900192 2AL	C9002598AL	BODY PNL LH 30'REPL C9001922AL	1	EA	NO LONGER AVAILABLE, Not available online / Call for pricing and availability
C900192 2BK	C9002598BK	BODY PNL LH 30'REPL C9001922BK	1	EA	
C900192 2BU	C9002598BU	BODY PNL LH 30'REPL C9001922BU	1	EA	
C900192 2FG	C9002598FG	BODY PNL LH 30'REPL C9001922FG	1	EA	NO LONGER AVAILABLE, Not available online / Call for pricing and availability
C900192 2PL	C9002598PL	BODY PNL LH 30'REPL C9001922PL	1	EA	NO LONGER AVAILABLE, Not available online / Call for pricing and availability
C900192 2VB	C9002598VB	BODY PNL LH 30'REPL C9001922VB	1	EA	NO LONGER AVAILABLE, Not available online / Call for pricing and availability
C900192 2WH	C9002598WH	BODY PNL LH 30'REPL C9001922WH	1	EA	
2	B2001921	SUB TO B2002597 - RH SIDE PANEL	1	EA	NO LONGER AVAILABLE, Not available online / Call for pricing and availability
C900192 1AL	C9002597AL	O/S BODY PANEL-RH *AL* (VDSC)	1	EA	NO LONGER AVAILABLE, Not available online / Call for pricing and availability
C900192 1BK	C9002597BK	BODY PNL RH BK REPL C9001921BK	1	EA	
C900192 1BU	C9002597BU	BODY PNL RH BU REPL C9001921BU	1	EA	Not available online / Call for pricing and availability
C900192 1FG	C9002597FG	BODY PNL RH FG REPL C9001921FG	1	EA	NO LONGER AVAILABLE, Not available online / Call for pricing and availability



Item	Part No.	Name	Qty	Uom	NOTES
C900192 1PL	C9002597PL	BODY PNL RH PL REPL C9001921PL	1	EA	NO LONGER AVAILABLE, Not available online / Call for pricing and availability
C900192 1VB	C9002597VB	BODY PNL RH VB REPL C9001921VB	1	EA	
C900192 1WH	C9002597WH	BODY PNL RH WH REPL C9001921WH	1	EA	NO LONGER AVAILABLE
3	PD030005	SELF RETAINING NUT	1	EA	
4	PC020007	HINGE ASSY (NO COLOR)(MUST ORDER 2 PD020033 SCREW WHEN REPLACING HINGE)	1	EA	
5	PC030017	4" LEG ASSY	1	EA	
6	PB070030	OVEN DR GASKET-30" & 36"	1	EA	
7	E9101374	I/S OVEN LINER (VGSC/VGSS)	1	EA	
8	B2001241	LWR ACC. PNL - RPLCS B2001973	1	EA	
Not Shown	C9001241AL	LWR ACC PNL - RPLCS C9001973AL	1	EA	NO LONGER AVAILABLE, Not available online / Call for pricing and availability
Not Shown	C9001241BK	LWR ACC PNL - RPLCS C9001973BK	1	EA	
Not Shown	C9001241BU	LWR ACC PNL - RPLCS C9001973BU	1	EA	
Not Shown	C9001241FG	LWR ACC PNL - RPLCS C9001973FG	1	EA	NO LONGER AVAILABLE, Not available online / Call for pricing and availability
Not Shown	C9001241PL	LWR ACC PNL - RPLCS C9001973PL	1	EA	NO LONGER AVAILABLE
Not Shown	C9001241VB	LWR ACC PNL - RPLCS C9001973VB	1	EA	NO LONGER AVAILABLE, Not available online / Call for pricing and availability
Not Shown	C9001241WH	LWR ACC PNL - RPLCS C9001973WH	1	EA	
9	A2002269	OVEN BTM HEAT SHIELD	1	EA	



Item	Part No.	Name	Qty	Uom	NOTES
Comments for Part Num. A2002269					
gboltz@VikingRange.com on Aug 9, 2016					
DO NOT ORDER JUST HEAT SHIELD ORDER BTM OVEN PANEL ASSY ONLY					
10	G3204251	BTM PAN ASSY (REPL G9102273)	1	EA	
11	E9101355	OVEN LINER HINGE COVER (VGSC/VGSS)	1	EA	NO LONGER AVAILABLE, Not available online / Call for pricing and availability



Appendix A:Pages Index

48 DOOR (LH) 1
48 DOOR (RH) 2
BURNER BOX EXTERIOR ASSY 3
BURNER BOX SUBASSY 4
CONTROL-RACK ASSY 5
GAS ELECTRICAL ASSEMBLY 6
GRIDDLE ASSY 7
GRILL ASSY 8
LH CONTROL RACK ASSEMBLY 9
PANEL-OVEN ASSY 10



Appendix B:Parts Index

000268-000	1, 2	A2001880	7
000511-000	4	A2001881	7
002569-000	4, 7, 8	A2001908	7
003515-000	4	A2001949	7
003556-000	4	A2001961	1
003862-000	4, 7	A2001962	1
007147-000	4, 7	A2002001	7
020409-000	6	A2002073	4
031449-000	6, 9	A2002147	7
050172-000	5, 9	A2002269	10
066982-000	3	A2002377	4
072628-402	8	A2002654	5, 5
074908-000	8, 8	B2001140	8
077728-000	5, 5	B2001241	10
A1001138	4	B2001448	6
A1001198	7	B2001856	8
A1001381	2	B2001857	8
A1001513	1	B2001884	7
A1001636	7	B2001921	10
A1001862	8	B2001922	10
A2001104	4, 7	B2001964	1
A2001112	4	B2001974	9
A2001132	8	B2002033	2
A2001147	4	B2002345	3
A2001148	7	B2002346	3
A2001220	9	B3001149	3
A2001300	7	B9202028	5
A2001447	2	B9202029	5
A2001480	2	B9202030	5
A2001620	4	C9001241AL	10
A2001621	1	C9001241BK	10
A2001622	1	C9001241BU	10
A2001630	7	C9001241FG	10
A2001631	8	C9001241PL	10
A2001633	8	C9001241VB	10
A2001718	2	C9001241WH	10
A2001719	2	C9001966AL	1
A2001852	8	C9001966BK	1
A2001855	8	C9001966BU	1
A2001863	8	C9001966FG	1
		C9001966PL	1



C9001966VB	1	G3103161	3
C9001966WH	1	G3202041AL	1
C9001974AL	9	G3202041ALBR	1
C9001974BK	9	G3202041BK	1
C9001974BU	9	G3202041BKBR	1
C9001974FG	9	G3202041BU	1
C9001974PL	9	G3202041BUBR	1
C9001974VB	9	G3202041FG	1
C9001974WH	9	G3202041FGBR	1
C9002035AL	2	G3202041PL	1
C9002035BK	2	G3202041PLBR	1
C9002035BU	2	G3202041SS	1
C9002035FG	2	G3202041SSBR	1
C9002035PL	2	G3202041VB	1
C9002035VB	2	G3202041VBBR	1
C9002035WH	2	G3202041WH	1
C9002597AL	10	G3202041WHBR	1
C9002597BK	10	G3202043AL	1
C9002597BU	10	G3202043ALBR	1
C9002597FG	10	G3202043BK	1
C9002597PL	10	G3202043BKBR	1
C9002597VB	10	G3202043BU	1
C9002597WH	10	G3202043BUBR	1
C9002598AL	10	G3202043FG	1
C9002598BK	10	G3202043FGBR	1
C9002598BU	10	G3202043PL	1
C9002598FG	10	G3202043PLBR	1
C9002598PL	10	G3202043SS	1
C9002598VB	10	G3202043SSBR	1
C9002598WH	10	G3202043VB	1
C9301149PVD	3	G3202043VBBR	1
C9302345BR	3	G3202043WH	1
C9302346BR	3	G3202043WHBR	1
E9101355	9, 10	G3202045AL	2
E9101374	9, 10	G3202045ALBR	2
E9101452	6	G3202045BK	2
E9107933	5	G3202045BKBR	2
E9107934	5	G3202045BU	2
G3001278	7	G3202045BUBR	2
G3001584	5	G3202045FG	2
G3001876	6	G3202045FGBR	2



G3202045PL	2	G9101182VB	8
G3202045PLBR	2	G9101182WH	8
G3202045SS	2	H3001967	1
G3202045SSBR	2	H3002036	2
G3202045VB	2	H9001968AL	1
G3202045VBBR	2	H9001968BK	1
G3202045WH	2	H9001968BU	1
G3202045WHBR	2	H9001968FG	1
G3202046AL	2	H9001968PL	1
G3202046ALBR	2	H9001968VB	1
G3202046BK	2	H9001968WH	1
G3202046BKBR	2	H9002037AL	2
G3202046BU	2	H9002037BK	2
G3202046BUBR	2	H9002037BU	2
G3202046FG	2	H9002037FG	2
G3202046FGBR	2	H9002037PL	2
G3202046PL	2	H9002037VB	2
G3202046PLBR	2	H9002037WH	2
G3202046SS	2	H9101928	2
G3202046SSBR	2	H9101929	2
G3202046VB	2	H9101971	1
G3202046VBBR	2	H9101972	1
G3202046WH	2	J2101749	3
G3202046WHBR	2	PA010037	5
G3204251	10	PA010038	5
G3204255	9	PA010041	8
G4001330	4	PA010042	8
G4001688	4	PA010043	8
G50012678	4	PA020011	4, 8
G50012681	4, 5	PA020015	4
G50013584AL	3	PA020028	4, 8
G50013584BK	3	PA020041	4
G50013584FG	3	PA020045	4
G50013584PL	3	PA030002AL	3
G50013584VB	3	PA030002BK	3
G50013584WH	3	PA030002FG	3
G50013899	9	PA030002PL	3
G9101182AL	8	PA030002VB	3
G9101182BK	8	PA030002WH	3
G9101182FG	8	PA060037	3
G9101182PL	8	PA060038	3



PA070003	4	PB050077	7, 8
PA080016	3	PB060016	9
PA080036	4	PB060017	5
PA080037	4	PB060030	5, 5, 9
PB010004	7	PB060038	5, 5
PB010035	7, 9	PB070001	9
PB010036	5	PB070014	1, 2
PB010083	4, 9	PB070030	10
PB010084	6	PB070034	1, 2
PB010091	5	PB070035	9
PB010092	5, 5	PC020003	9
PB010095	9	PC020007	10
PB010096	9	PC030017	10
PB010099	5	PD010003	3
PB010100	5, 9	PD010012	4, 8
PB010102	9	PD010017	3, 7, 8
PB010103	7	PD020039	7
PB010104	7	PD030005	10
PB010209	5, 9	PD030010	3
PB020022	6	PD030012	3, 7, 8
PB020023	6	PD030018	6
PB020025	8	PD030031	7
PB020035	9	PD030050	5
PB020049	6	PD040004	3
PB020050	9	PD040005	4
PB020052	6	PD040022	7
PB020061	6	PE010030	1
PB020116	7	PE010031	1
PB020218	6	PE010068	1
PB040001	6, 6, 6, 7, 9	PE010076	1
PB040027	6	PE030001PVD	1, 2
PB040034	4, 6, 6	PE030005	2
PB040035	7	PE030008	1
PB040036	4, 6, 6, 7, 9	PE030012	2
PB040040	6	PE030014PVD	1
PB040055	9	PE050017	5, 5
PB040061	8	PE050023	5, 7
PB040062	8	PE050024	5, 7
PB050011	6	PE060007	2
PB050012	6	PE060008	2
PB050014	9	PE060011	1



PE060012	1
PE060013	1
PE060018	2
PE060020	2
PE060021	1
PE070070	4
PE070071	4
PE070128	4
PE070719	4
PK000007	4
PK000008	4
PS510002	3