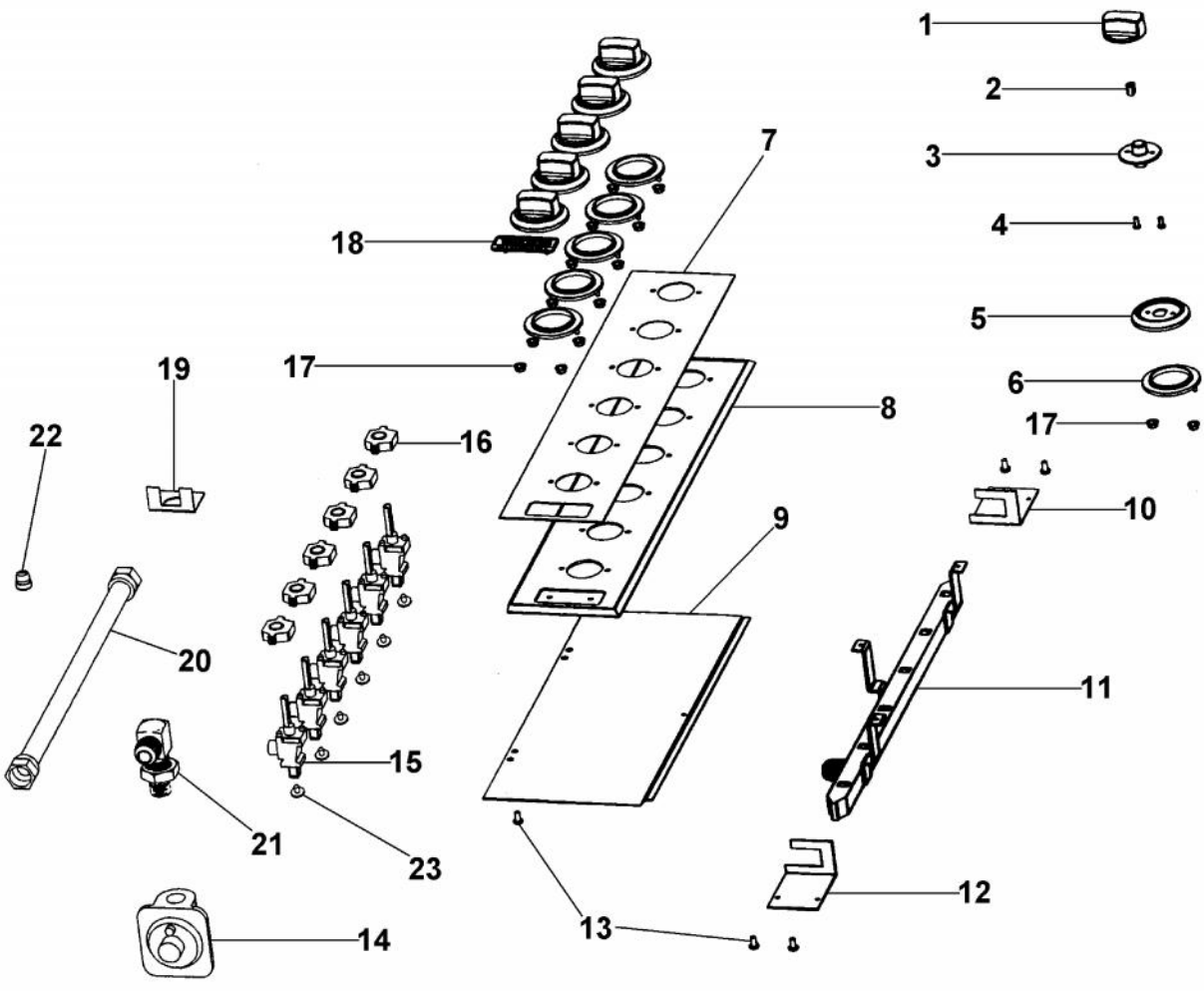
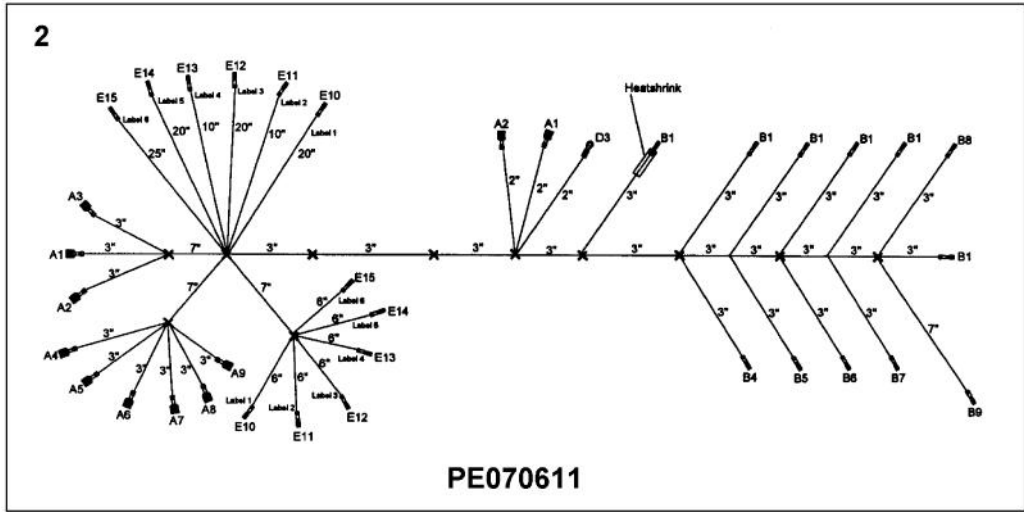
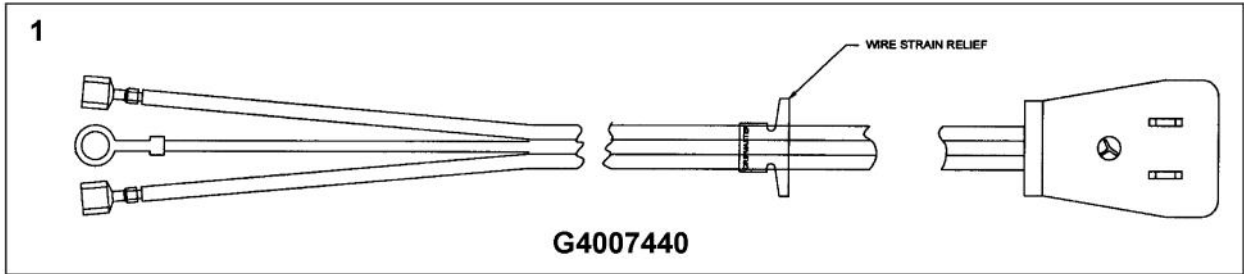


Ref #	Part Number	Qty.	Description
1	PA060099		VGSU162 GRATE 2
	PA060117		36 GRATE 2 (GRAY)
2	PA060098		36 VGSU GRATE
	PA060116		36 GRATE 1 (GRAY)
3	PA080089		C-BURNER
	PA080093		C-BURNER (GRAY)
4	PA080088		D-BURNER
	PA080092		D-BURNER (GRAY)
5	PA080090		B-BURNER
	PA080094		B-BURNER (GREY)
6	PA080091		A-BURNER
	PA080095		A-BURNER (GRAY)
7	PB050070		C-BASE
8	PB050069		D-BASE
9	PB050071		B-BASE
10	PB050072		A-BASE
11	PD020159		DGSU BURNER BASE SCREW
12	PB050067		JETHOLDER
13	N/A		HEAT SHIELD - MUST ORDER ITEM NO. 11
14	PB040254		NO.49 NAT
	PB040199		NATURAL ORIFICE NO.56
15	PB040255		NO.52 NAT
	PB040256		LP ORIFICE NO.62
16	PB040236		NO.55 NAT
	PB040257		LP ORIFICE NO.66
17	PB040199		NATURAL ORIFICE NO.56
	PB040258		LP ORIFICE NO.69
18	PD020004		10X3/8PH.HD.TYPE 25 REPL PD040125
19	B21010612		36 MAIN TOP, STAINLESS STEEL
	E91010612AL		VGSU162 SEALED TOP XALX
	E91010612BK		VGSU162 SEALED TOP XBKX
	E91010612BT		VGSU162 SEALED TOP XBTX
	E91010612CB		VGSU162 SEALED TOP XCBX
	E91010612EP		MAIN TOP - EP
	E91010612FG		MAIN TOP - FG
	E91010612GG		MAIN TOP - GG
	E91010612LE		MAIN TOP - LE
	E91010612MJ		MAIN TOP - MJ
	E91010612SG		VGSU162 SEALED TOP XSGX
	E91010612VB		MAIN TOP - VB
	E91010612WH		VGSU162 SEALED TOP XWHX
20	A20010622		JET HOLDER SUPPORT
21	PD040005		SNAP BUSHING - 7/8
22	A2005717		SPARK MODULE BOX (DGCU)
23	PA020042		TYTRONICS 0+6 SPARK MODULE
24	A1005718		MODULE COVER
25	A2003053		RET.BRKT VGSU101 REPL PG210006
	PD030029		INSTALL HARDWARE - QTY. 2 SELF RETAINING NUT (1/4-20)
	PD010027		INSTALL HARDWARE - QTY. 2 EYE BOLT-VGSU101/161
NI	PB070058		INSTALL HARDWARE - QTY. 2 COOKTOP GASKET-(VGSU101) (BETWEEN UNIT & COUNTERTOP)
NI	PB070234		GASKET (VGSU101/161) (BETWEEN MAIN TOP & BURNER BOX)



Ref #	Part Number	Qty.	Description
1	PA010174		COOKTOP KNOB BLACK
	PA010175		COOKTOP KNOB (WHITE)
2	PC010007		KNOB SPRING (GOLD CORE KNOBS)
3	PA010148		VGSU KNOB INSERT
4	PD020076		6-32 X 3/8 PHILL PAN MS
5	PB010263		UPPER BEZEL
	PB010263PVD		UPPER BEZEL BRASS (BLACK)
6	PB010262		LOWER BEZEL
7	PE010173		36 VGSU INSERT
	PE010174		36 VGSU INSERT (WH)
8	PE040224		VGSU162 CTRL PNL
	PE040224PVD		VGSU162 CTRL PNL XPV DX
9	A20010614		ACCESS COVER PLATE
10	A20010620		VGSU MANIFOLD BRACKET (REAR)
11	PA050098		36 VGSU MANIFOLD
12	A20010621		VGSU MANIFOLD BRACKET (FRONT)
13	PD020004		10X3/8PH.HD.TYPE 25 REPL PD040125
14	PA070004		PRESSURE REG.(NAT.) RV47L-77-5.0
	PA070005		PRESSURE REG.(LP) RV47L-77-10.0
15	003579-000		PA010217 VALVE AND BOLT KIT
NI	PB020252		FLEX TUBE 35
NI	PB020253		FLEX TUBE 26
NI	PB020191		15 FLEX TUBE
NI	PB020190		10 FLEX TUBE
16	PA020015		SPARK IGNITION SWITCH
17	PD030006		CAPPED WASHER PAL NUT
18	PE010165		VIKING CHROME PLATE LOGO
	PE010166		VIKING LOGO BRASS
	PE010176		2.5 WHITE CHROME LOGO
	PE010177		2.5 WHITE BRASS LOGO
19	A2007840		DGSU BULKHEAD BRACKET
20	PB020254		5/8 FLEX TUBE 15
21	PB040231		90 DEGREE BULKHEAD ELBOW W / LOCKNUT
22	PE070069		STRAIGHT-THRU BUSHING
23	PD010012		VALVE BOLT 1/4-20 UNC-2B 5/16 M.S.



Ref #	Part Number	Qty.	Description
1	G4007440		SUPPLY CORD ASSY
2	PE070611		VGSU162 WIRE HARNESS