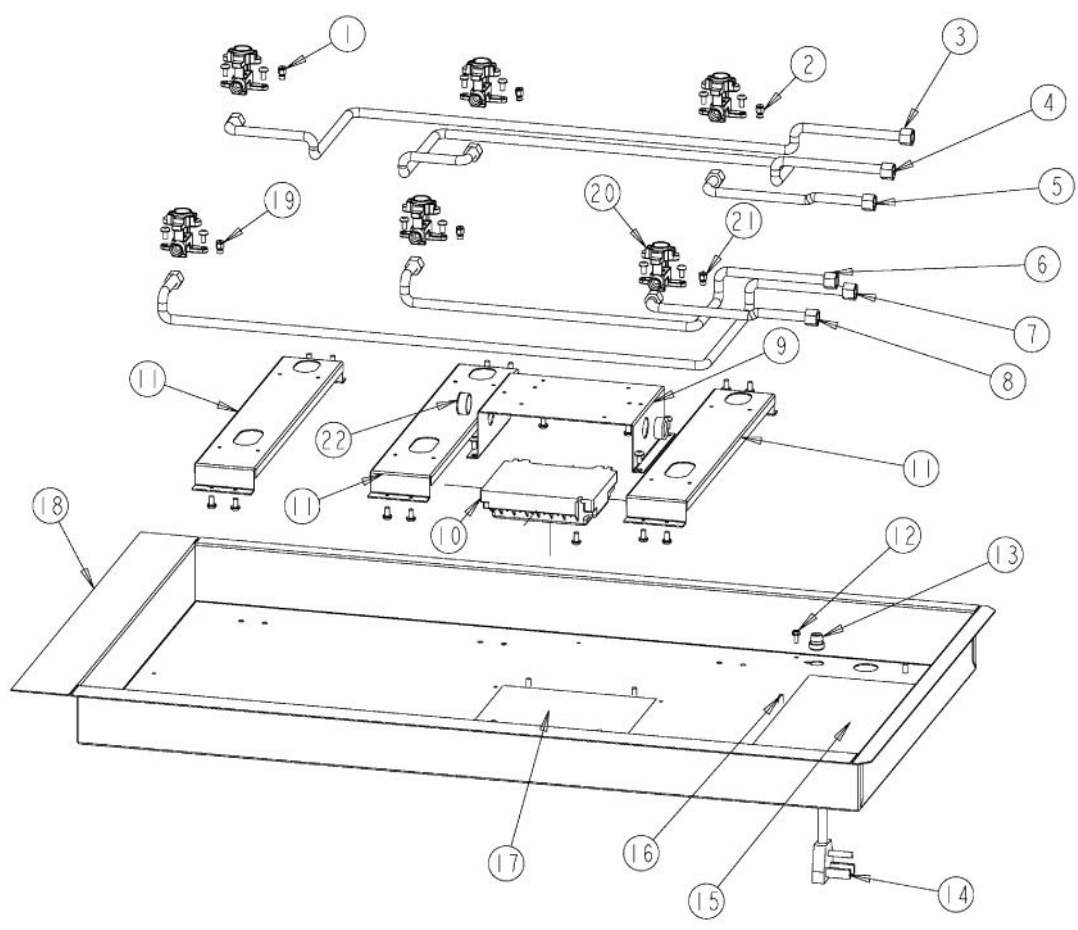
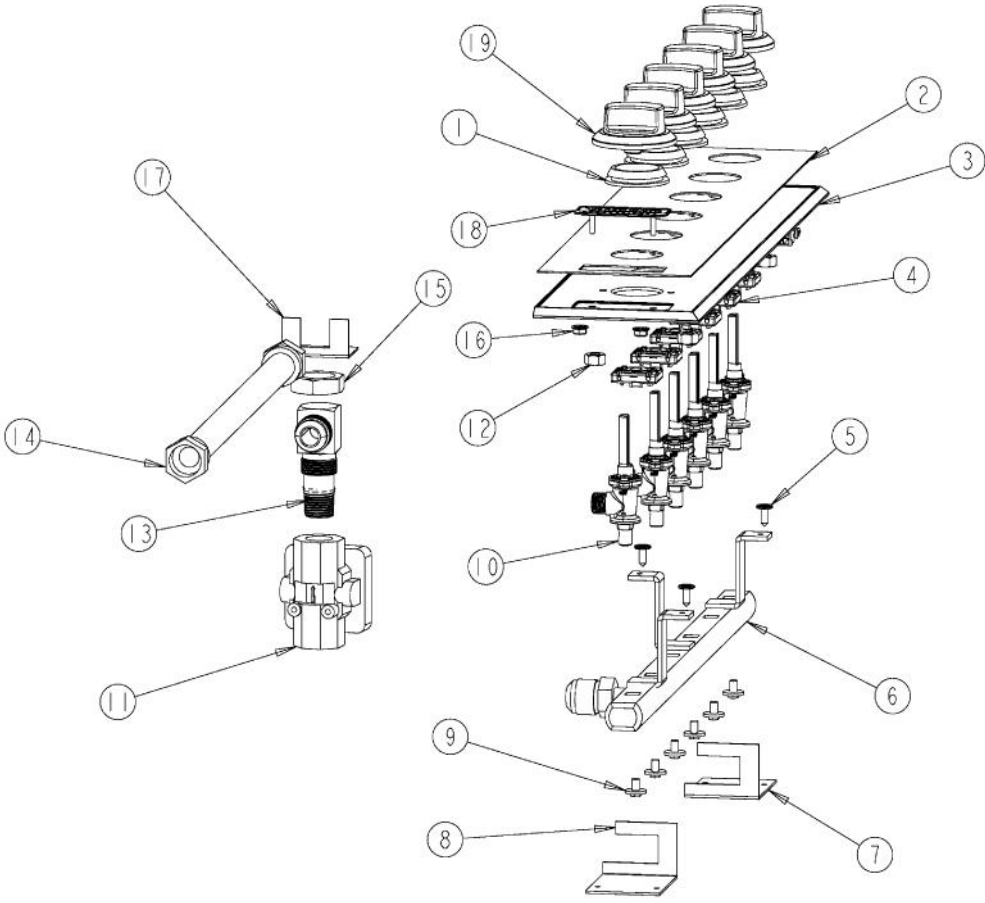


Ref #	Part Number	Qty.	Description
1	PA060099		VGSU162 GRATE 2
	PA060117		36 GRATE 2 (GRAY)
2	PA060098		36 VGSU GRATE
	PA060116		36 GRATE 1 (GRAY)
3	PA080105		DGRT-B BURNER CAP- BLACK
	PA080106		DGRT-B BURNER CAP- GRAY
4	PA080103		DGRT-A BURNER CAP- BLACK
	PA080104		DGRT-A BURNER CAP- GRAY
5	PA080100		DGRT-B COMPLETE BURNER HEAD ASSEMBLY
6	PA080099		DGRT-ACOMPLETE BURNER HEAD ASSEMBLY
7	PB050071		B-BASE
8	PB050072		A-BASE
9	PB050069		D-BASE
10	PB050070		C-BASE
11	PA080107		DGRT-C BURNER CAP- BLACK
11	PA080108		DGRT-C BURNER CAP- GRAY
12	B21010612		36 MAIN TOP, STAINLESS STEEL
12	E91010612AL		VGSU162 SEALED TOP XALX
12	E91010612BK		VGSU162 SEALED TOP XBKX
12	E91010612BT		VGSU162 SEALED TOP XBTX
12	E91010612CB		VGSU162 SEALED TOP XCBX
12	E91010612EP		MAIN TOP - EP
12	E91010612FG		MAIN TOP - FG
12	E91010612GG		MAIN TOP - GG
12	E91010612LE		MAIN TOP - LE
12	E91010612MJ		MAIN TOP - MJ
12	E91010612SG		VGSU162 SEALED TOP XSGX
12	E91010612VB		MAIN TOP - VB
12	E91010612WH		VGSU162 SEALED TOP XWHX
13	PD020159		DGSU BURNER BASE SCREW
14	PA080102		DGRT-D COMPLETE BURNER HEAD ASSEMBLY
15	PA080101		DGRT-C COMPLETE BURNER HEAD ASSEMBLY
16	PA080083		D BURNER CAP XMATTE BLACKX
16	PA080086		D BURNER CAP XMATTE GRAYX



Ref #	Part Number	Qty.	Description
1	PB040255		NO.52 NAT
1	PB040256		LP ORIFICE NO.62
2	PB040236		NO.55 NAT
2	PB040257		LP ORIFICE NO.66
3	PB020317		36 VGSU LR 3/8 TUBE
4	PB020316		36 VGSU CR 3/8 TUBE
5	PB020315		36 VGSU RF 3/8 TUBE
6	PB020313		36 VGSU CF 3/8 TUBE
7	PB020314		36 VGSU LF 3/8 TUBE
8	PB020312		36 VGSU RF 3/8 TUBE
9	A2005717		SPARK MODULE BOX (DGCU)
10	PA020042		TYTRONICS 0+6 SPARK MODULE
11	A20010622		JET HOLDER SUPPORT
12	PD020010		10 X 3/8 GREEN GROUNDING SCREW
13	PE070069		STRAIGHT-THRU BUSHING
14	G4007440		SUPPLY CORD ASSY
15	A20010614		ACCESS COVER PLATE
16	PD020004		10X3/8PH.HD.TYPE 25 REPL PD040125
17	A1005718		MODULE COVER
18	A30010616		VGSU160 BURNER BOX
19	PB040254		NO.49 NAT
19	PB040199		NATURAL ORIFICE NO.56
20	PB050067		JETHOLDER
21	PB040199		NATURAL ORIFICE NO.56
21	PB040258		LP ORIFICE NO.69
22	PD040005		SNAP BUSHING - 7/8



Ref #	Part Number	Qty.	Description
1	PB070320		SILICONE EXTRUSION
2	PE010189		36 VGSU INSERT SS/BK
2	PE010190		36 VGSU INSERT SS/WH
3	PE040224		VGSU162 CTRL PNL
3	PE040224PVD		VGSU162 CTRL PNL XPV DX
4	PE070818		IGNITOR SWITCH HARNESS, 6B 36
5	PD020046		NO.8 X 1/2 SCREWS
6	PA050098		36 VGSU MANIFOLD
7	A20010620		VGSU MANIFOLD BRACKET (REAR)
8	A20010621		VGSU MANIFOLD BRACKET (FRONT)
9	PD010012		VALVE BOLT 1/4-20 UNC-2B 5/16 M.S.
10	PA010217		COOKTOP VALVE
11	PA070004		PRESSURE REG.(NAT.) RV47L-77-5.0
11	PA070005		PRESSURE REG.(LP) RV47L-77-10.0
12	PD030150		5/16 NC NUT
13	PB040231		90 DEGREE BULKHEAD ELBOW W / LOCKNUT
14	PB020254		5/8 FLEX TUBE 15
15	PB040231		90 DEGREE BULKHEAD ELBOW W / LOCKNUT
16	PD030006		CAPPED WASHER PAL NUT
17	A2007840		DGSU BULKHEAD BRACKET
18	PE010191		2 1/2 VIKING LOGO BLACK/CHROME
18	PE010192		2 1/2 VIKING LOGO BLACK/BRASS
18	PE010193		2 1/2 VIKING LOGO WHITE/CHROME
18	PE010194		2 1/2 VIKING LOGO WHITE/BRASS
19	PA010221	6	KNOB, ASM, BLACK, VGSU
19	PA010222	6	VGSU103/163 KNOB ASSY WHITE
19	PA010223	6	VGSU103/163 KNOB ASSEMBLY BK/BRASS
19	PA010224	6	VGSU103/163 KNOB ASSY WHITE/BRASS
19	023012-000	6	KNOB, ASM, SS, VGSU

*No Image
Available*

Ref #	Part Number	Qty.	Description
NI	PE070802	1	VGSU163 WIRE HARNESS
NI	G4007440	1	SUPPLY CORD ASSY
NI	PE070818	1	IGNITOR SWITCH HARNESS, 6B 36