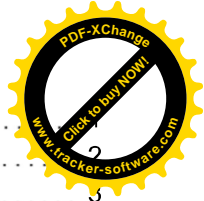
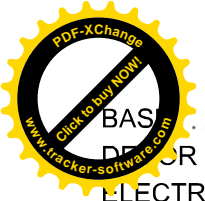
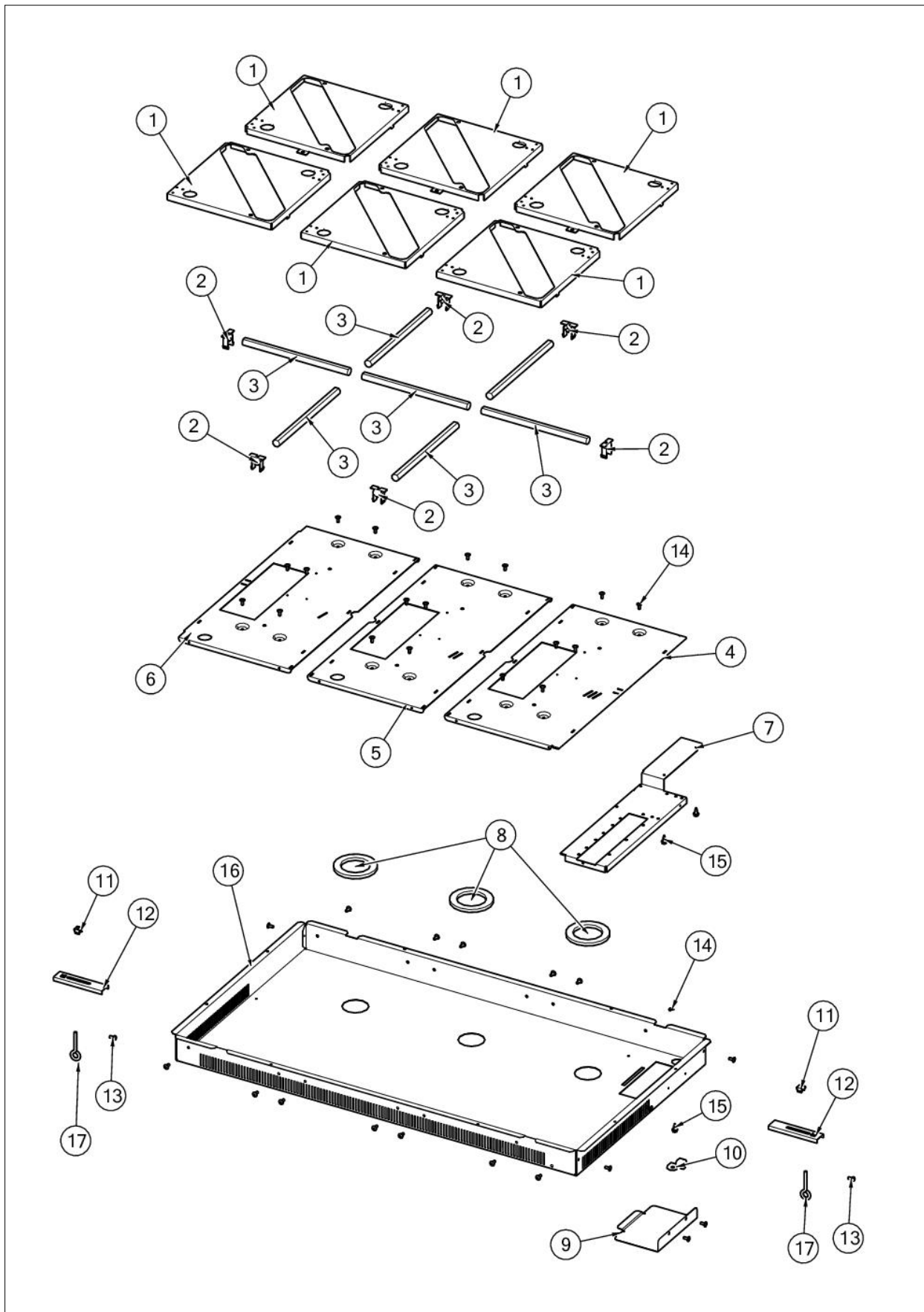




# VIC536-6B

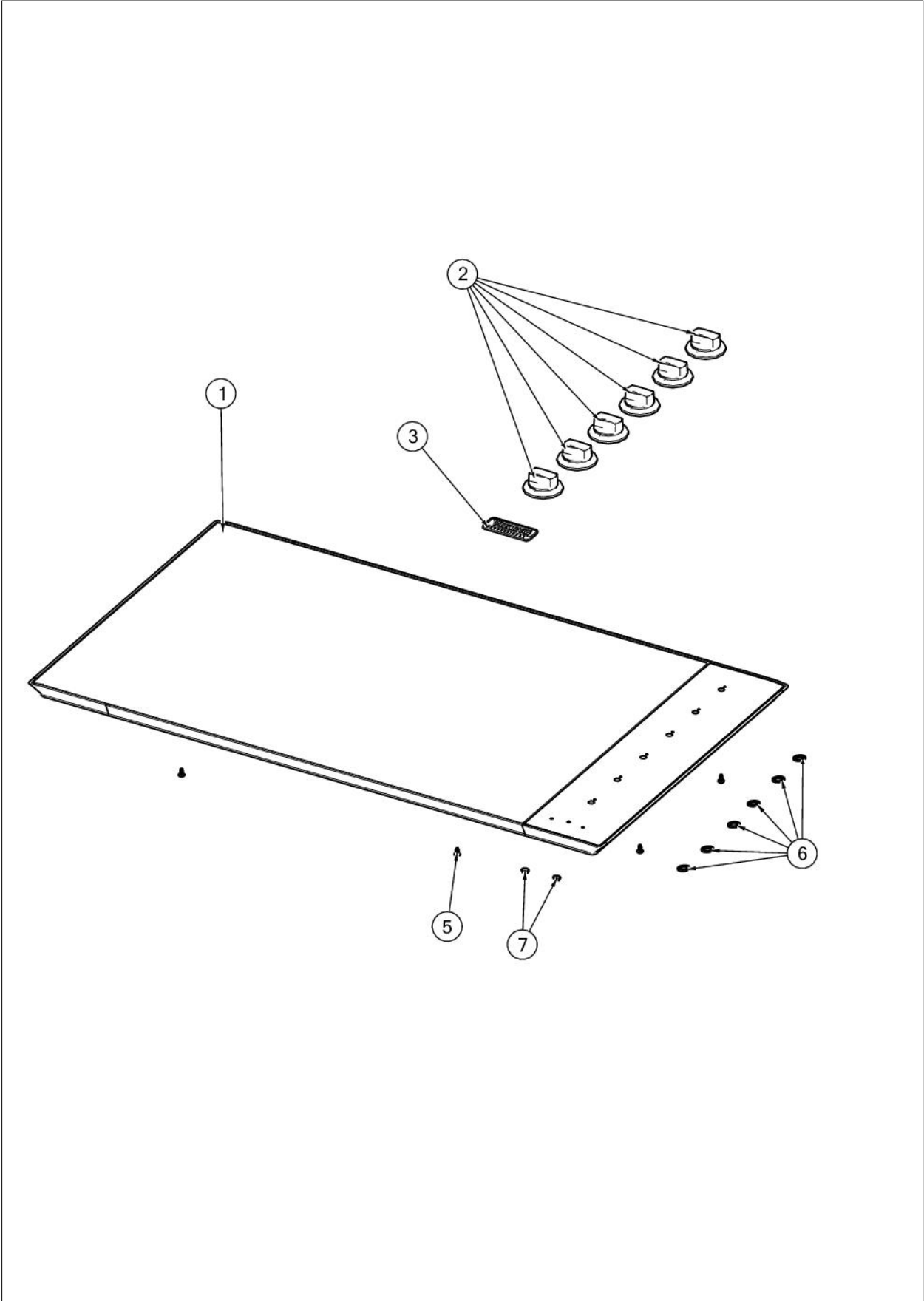


BAS	.....	1
DE	.....	2
UR	.....	3
ELECTRICAL - 1	.....	3
ELECTRICAL - 2	.....	4
ELECTRICAL - 3	.....	5
ELECTRICAL - 4	.....	6
Appendix A:Pages Index	.....	A
Appendix B:Parts Index	.....	B





Item	Part No.	Name	Qty	Uom	NOTES
1	043043-000	BASE, ELEMENT, INDUCTION, 36"	6	EA	Not available online / Call for pricing and availability
2	045665-000	HOLDER, LIGHT, PIPE	6	EA	Not available online / Call for pricing and availability
3	043360-000	LIGHT PIPE, 36", HORZ	7	EA	Not available online / Call for pricing and availability
4	052441-000	PLATE, MTG, INDUCTION 36" MODULE 3	1	EA	Not available online / Call for pricing and availability
5	052440-000	PLATE, MTG, INDUCTION 36" MODULE 2	1	EA	Not available online / Call for pricing and availability
6	052438-000	PLATE, MTG, INDUCTION 36" MODULE 1	1	EA	Not available online / Call for pricing and availability
7	051576-000	BRACKET, MTG, ELECTRONICS	1	EA	Not available online / Call for pricing and availability
8	003820-000	INDUCTION FAN SEAL - NLA	3	EA	
9	043616-000	COVER, TERMINAL, BLOCK	1	EA	Not available online / Call for pricing and availability
10	044546-000	CLAMP, CONDUIT	1	EA	
11	PD030029	SELF RETAINING NUT (1/4-20)	2	EA	
12	038618-000	BRACKET, HOLD	2	EA	
13	PD020004	10X3/8PH.HD.TYPE 25 REPL PD040125	1	EA	
14	008863-000	SCREW NO.8 - 18 X 3/8, PHIL, LOW PROFILE TRUSS	1	EA	
15	003860-000	10-18 x .500 FASTNR,SCR,HXWH,STL,ZPLT	1	EA	
16	N/P	BOX, BNR, INDUCTION	1	EA	
17	PD010027	EYE BOLT-VGSU101/161	2	EA	



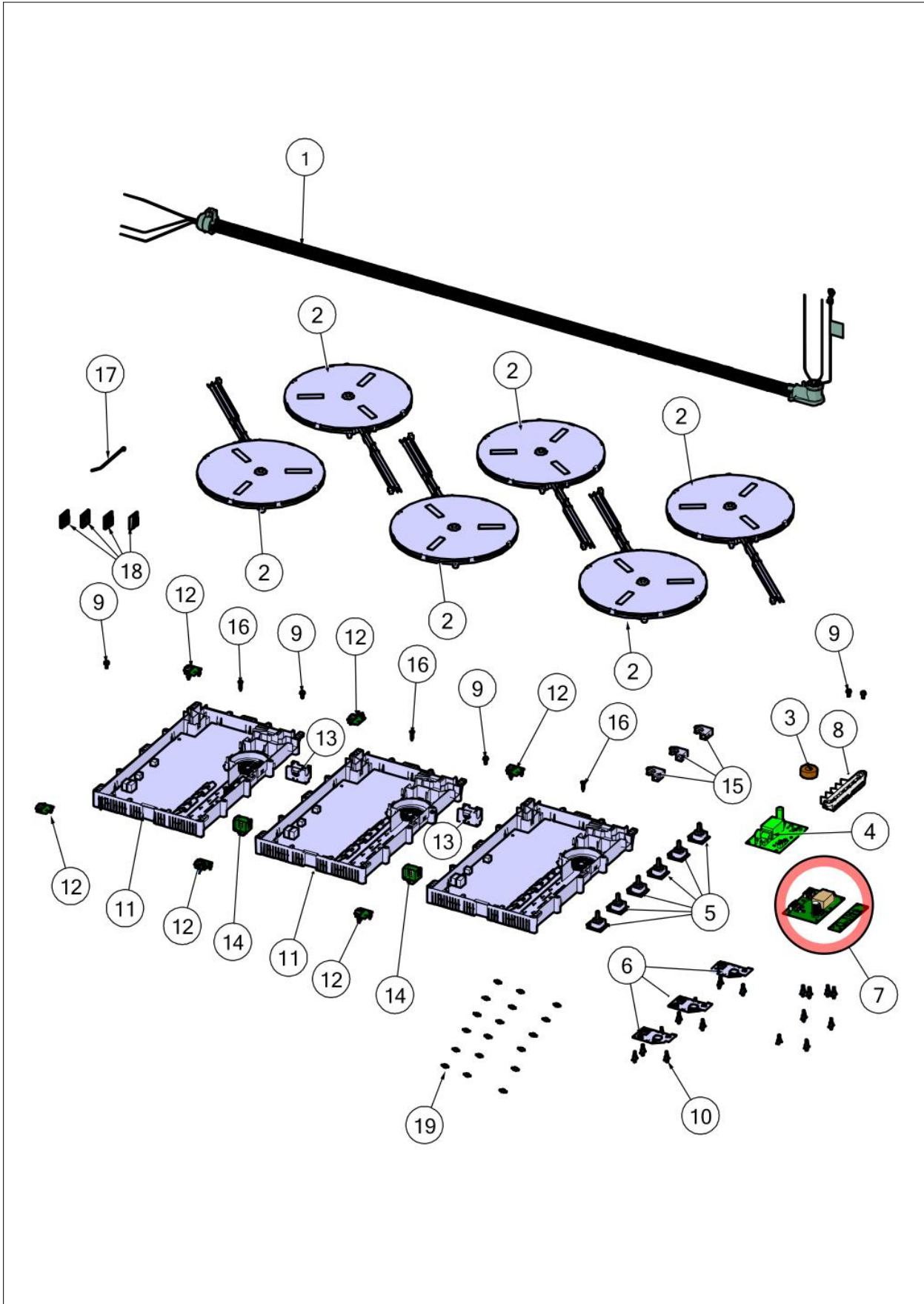


VIC5:



Item	Part No.	Name	Qty	Uom	NOTES
1	041783-000	GLASS, INDUCTION, TOP, ASM, 36" - NLA	1	EA	
2	043375-000	KNOB, INDUCTION, ASM	6	EA	
3	PE010142	3" LOGO *BK**CHROME	1	EA	
4	049541-000	SCR 10-24 F PNP 3/8 SS	1	EA	
5	049541-000	SCR 10-24 F PNP 3/8 SS	1	EA	
6	PD040117	10 MM WASHER	6	EA	
7	PD030006	CAPPED WASHER PAL NUT	2	EA	

ELECTRICAL - 1





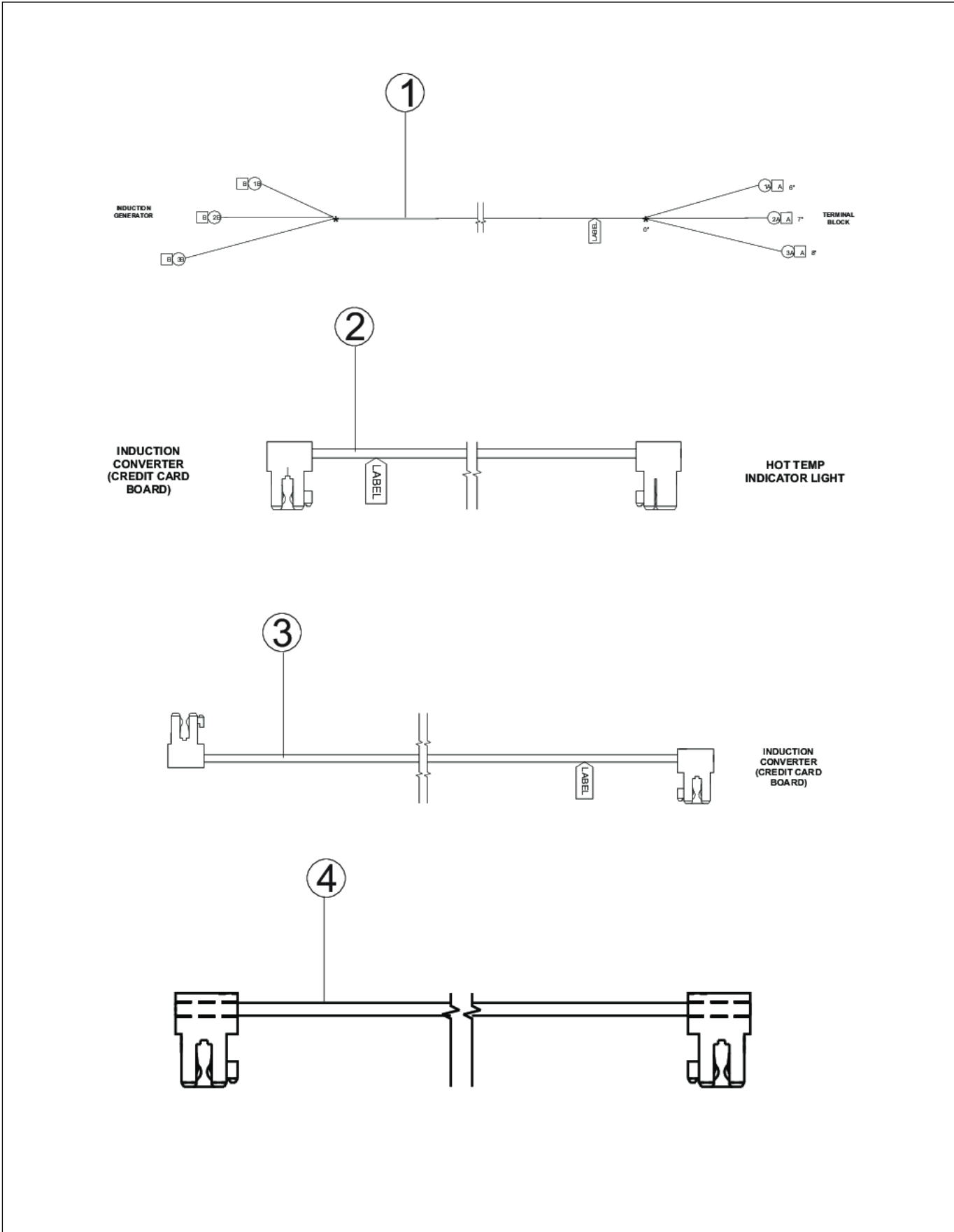
VIC5



Item	Part No.	Name	Qty	Uom	NOTES
1	040189-000	HARNES, CNDT, IND	1	EA	
2	041803-000	INDUCTOR EGO 210	6	EA	
3	003592-000	CASED CORE	1	EA	
4	060266-000	PCBA, DRIVER, LED, AC CHOKE, VIC ASSY	1	EA	
Not Shown	NOTE	(ON OR AFTER SERIAL 061217C10263463)		EA	
5	003225-000	ROTARY INDUCTION CONTROL	6	EA	
6	003154-046	CONVERTER, INDUCTION	3	EA	
7	070783-000	PCBA, FUSE, AC CHOKE (See TC-0119-SP Bulletin)	1	EA	
Not Shown	NOTE	(BEFORE SERIAL 061217C10263463)		EA	
8	054135-000	BLOCK, TERMINAL, 6-POLE (Heyco # 9454)	1	EA	
9	PD020010	10 X 3/8 GREEN GROUNDING SCREW	5	EA	
10	003715-000	CONVERTER STANDOFF	17	EA	
11	041802-000	GENERATOR EGO G5	3	EA	
12	043044-000	LIGHT, IND, HOT	6	EA	
13	N/A	HOUSING, LED, BOX	2	EA	
Not Shown	NOTE	(MUST ORDER ITEM 14)		EA	
14	045743-000	HOUSING, LED, ASM	2	EA	
15	003591-000	STRAIN RELIEF	3	EA	
16	PD020061	NO.8 X 3/4 FLAT HD TEK. SS.	3	EA	
17	050786-000	TIE, CABLE, LOCKING, 2.5MM X 4", 18 LBS, 115C, BLK, PANDUIT, PLY1M-M30	1	EA	
18	M0104106	CLIP-CORD VM0104106	4	EA	
19	003148-000	LED STANDOFF	18	EA	



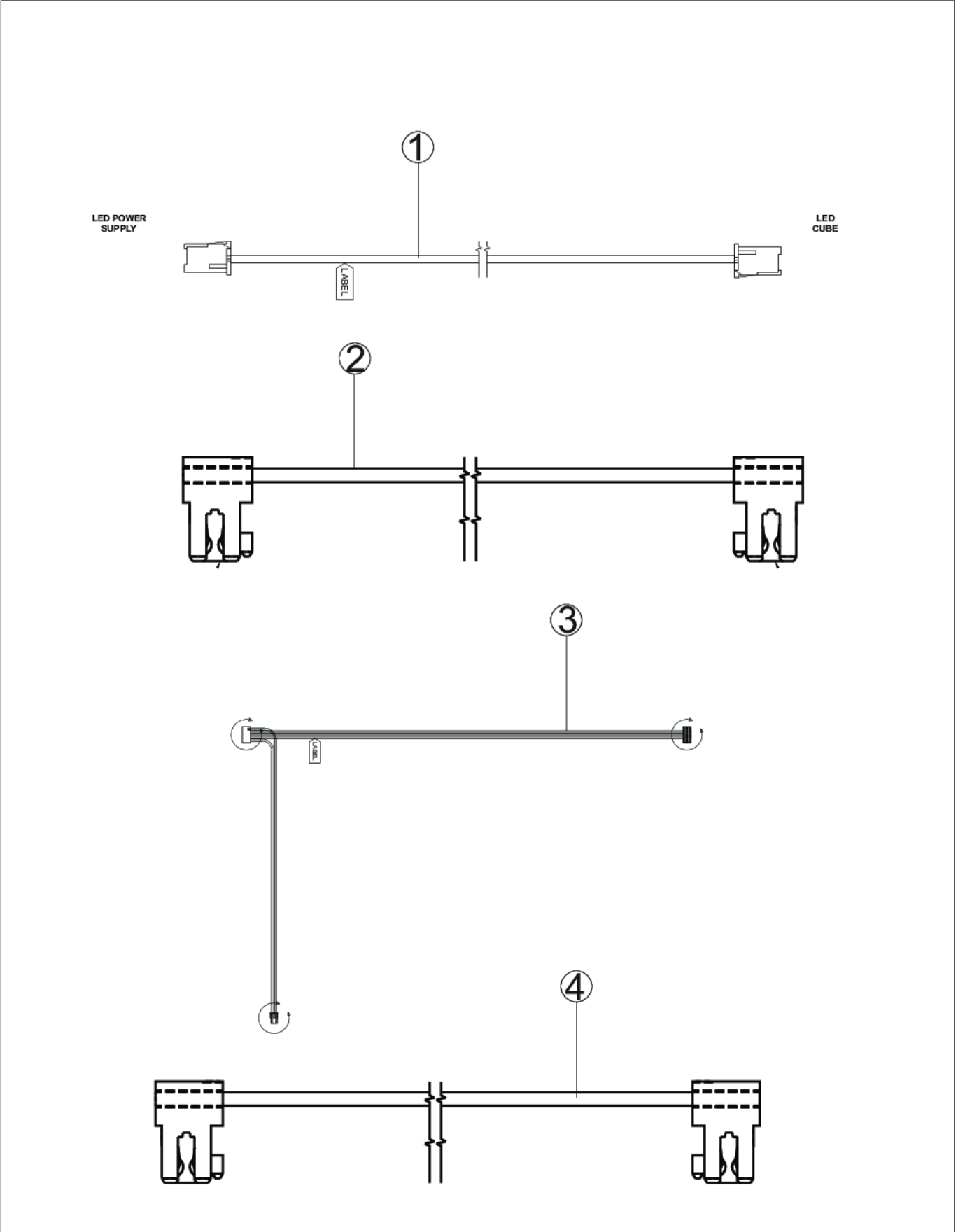
# ELECTRICAL - 2





Item	Part No.	Name	Qty	Uom	NOTES
1	052303-000	HARN, VIC, GEN, 18" & FAMILY	1	EA	Not available online / Call for pricing and availability
2	046521-000	HARNESS, VIC, LED, IND, 18" & FAMILY	1	EA	Not available online / Call for pricing and availability
3	051870-000	HARN, VIC, GEN, 24" & FAMILY	1	EA	Not available online / Call for pricing and availability
4	046522-000	HARNESS, VIC, LED, IND, 30"	1	EA	Not available online / Call for pricing and availability
NI	052536-000	HARN, VIC, PWR, GEN, 28"	1	EA	
NI	046528-000	HARNESS, VIC, GEN, 39"	1	EA	
NI	052537-000	HARN, VIC, PWR, GEN, 37"	1	EA	

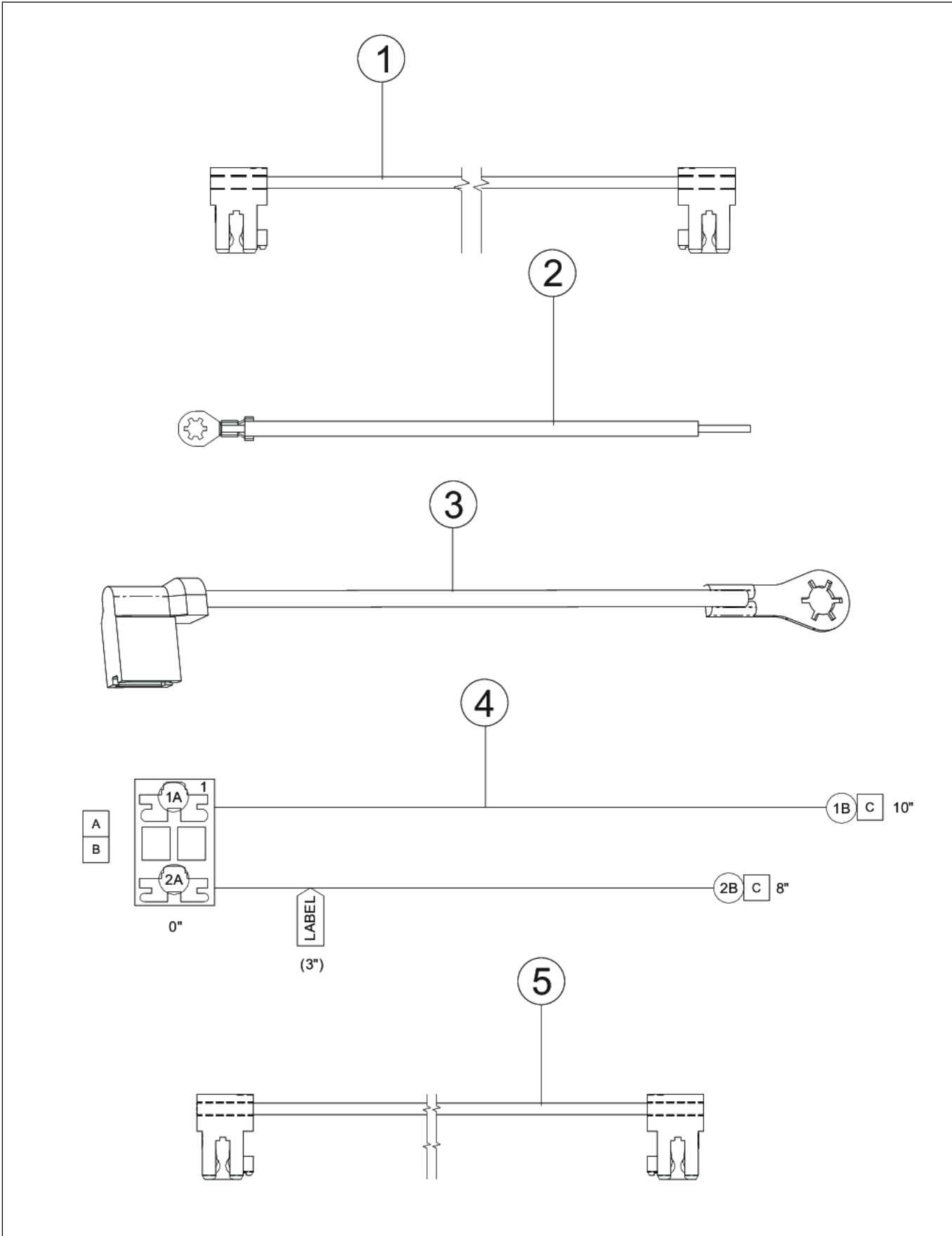
# ELECTRICAL - 3





Item	Part No.	Name	Qty	Uom	NOTES
1	046530-000	HARNESS, VIC, LED, CUBE, 16"	1	EA	Not available online / Call for pricing and availability
2	046525-000	HARNESS, VIC, LED, IND, 36"	1	EA	Not available online / Call for pricing and availability
3	046531-000	HARNESS, VIC, INDUCTION, CONTROL	4	EA	Not available online / Call for pricing and availability
4	046524-000	HARNESS, VIC, LED, IND, 26"	1	EA	Not available online / Call for pricing and availability
NI	046527-000	HARNESS, VIC, GEN, 30"	1	EA	Not available online / Call for pricing and availability

ELECTRICAL - 4

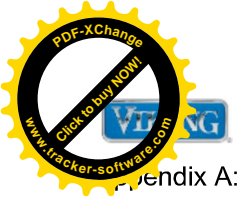




VIC5

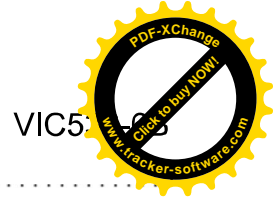
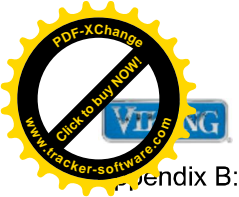


Item	Part No.	Name	Qty	Uom	NOTES
1	046523-000	HARNESS, VIC, LED, IND, 35"	1	EA	Not available online / Call for pricing and availability
2	055316-000	WIRE, JUMPER, PE GROUND, 10AWG, VIC ASSY	1	EA	Not available online / Call for pricing and availability
3	043994-000	WIRE, GROUND, 5"	3	EA	
4	051751-000	HARN, VIC, PWR, LED, PWR SUPPLY	1	EA	
5	046526-000	HARNESS. VIC, LED, IND, 43"	1	EA	Not available online / Call for pricing and availability



Appendix A: Pages Index

BASE .....	1
DECOR .....	2
ELECTRICAL - 1 .....	3
ELECTRICAL - 2 .....	4
ELECTRICAL - 3 .....	5
ELECTRICAL - 4 .....	6



Appendix B: Parts Index

003148-000	3	052440-000	1
003154-046	3	052441-000	1
003225-000	3	052536-000	4
003591-000	3	052537-000	4
003592-000	3	054135-000	3
003715-000	3	055316-000	6
003820-000	1	060266-000	3
003860-000	1	070783-000	3
008863-000	1	M0104106	3
038618-000	1	PD010027	1
040189-000	3	PD020004	1
041783-000	2	PD020010	3
041802-000	3	PD020061	3
041803-000	3	PD030006	2
043043-000	1	PD030029	1
043044-000	3	PD040117	2
043360-000	1	PE010142	2
043375-000	2		
043616-000	1		
043994-000	6		
044546-000	1		
045665-000	1		
045743-000	3		
046521-000	4		
046522-000	4		
046523-000	6		
046524-000	5		
046525-000	5		
046526-000	6		
046527-000	5		
046528-000	4		
046530-000	5		
046531-000	5		
049541-000	2, 2		
050786-000	3		
051576-000	1		
051751-000	6		
051870-000	4		
052303-000	4		
052438-000	1		