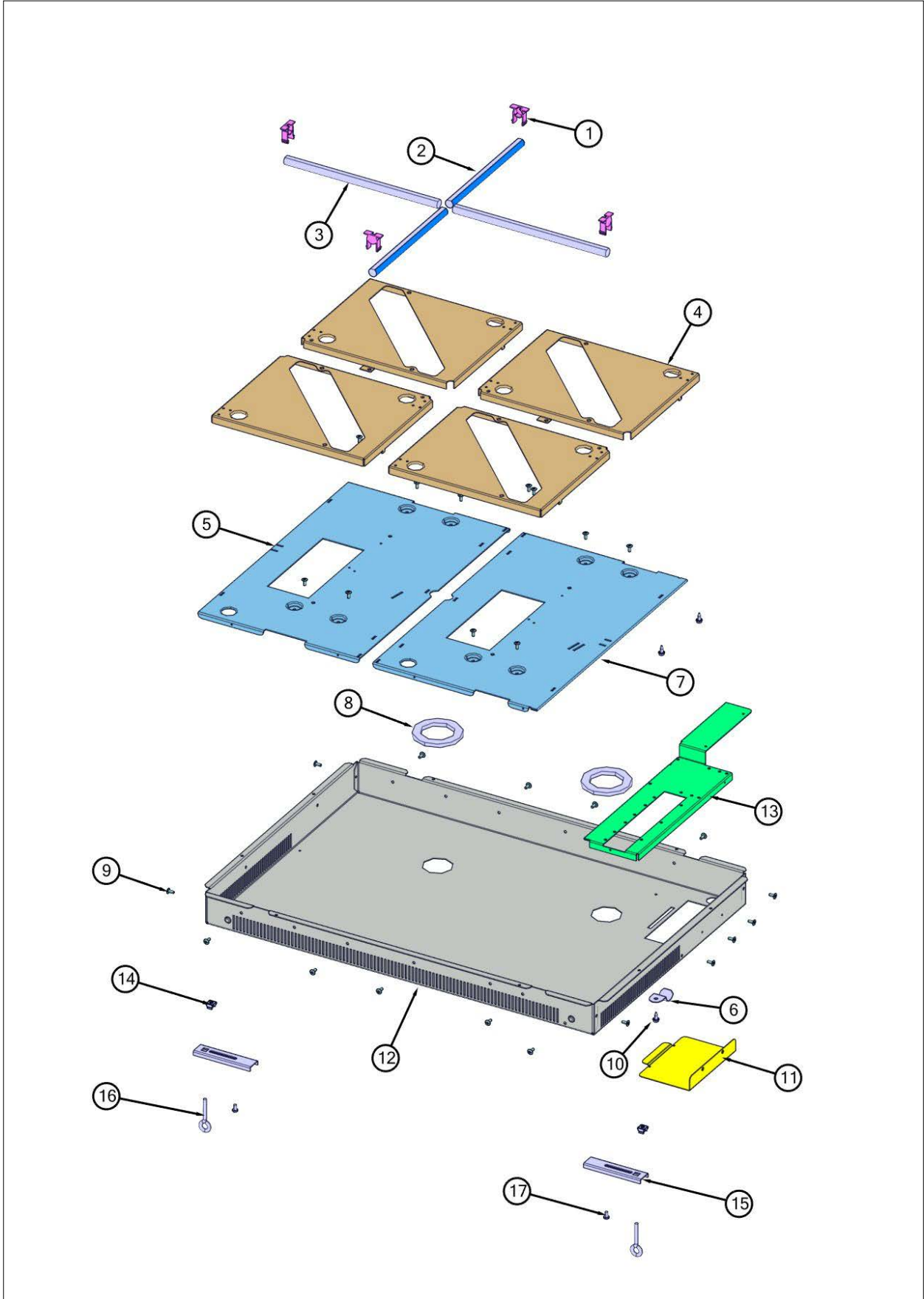


**VICU53014BST**

|                              |   |
|------------------------------|---|
| Burner Box View .....        | 1 |
| Electrical View .....        | 2 |
| Surface Cooking View .....   | 3 |
| Wiring View .....            | 4 |
| Wiring Diagram View .....    | 5 |
| Appendix A:Pages Index ..... | A |
| Appendix B:Parts Index ..... | B |



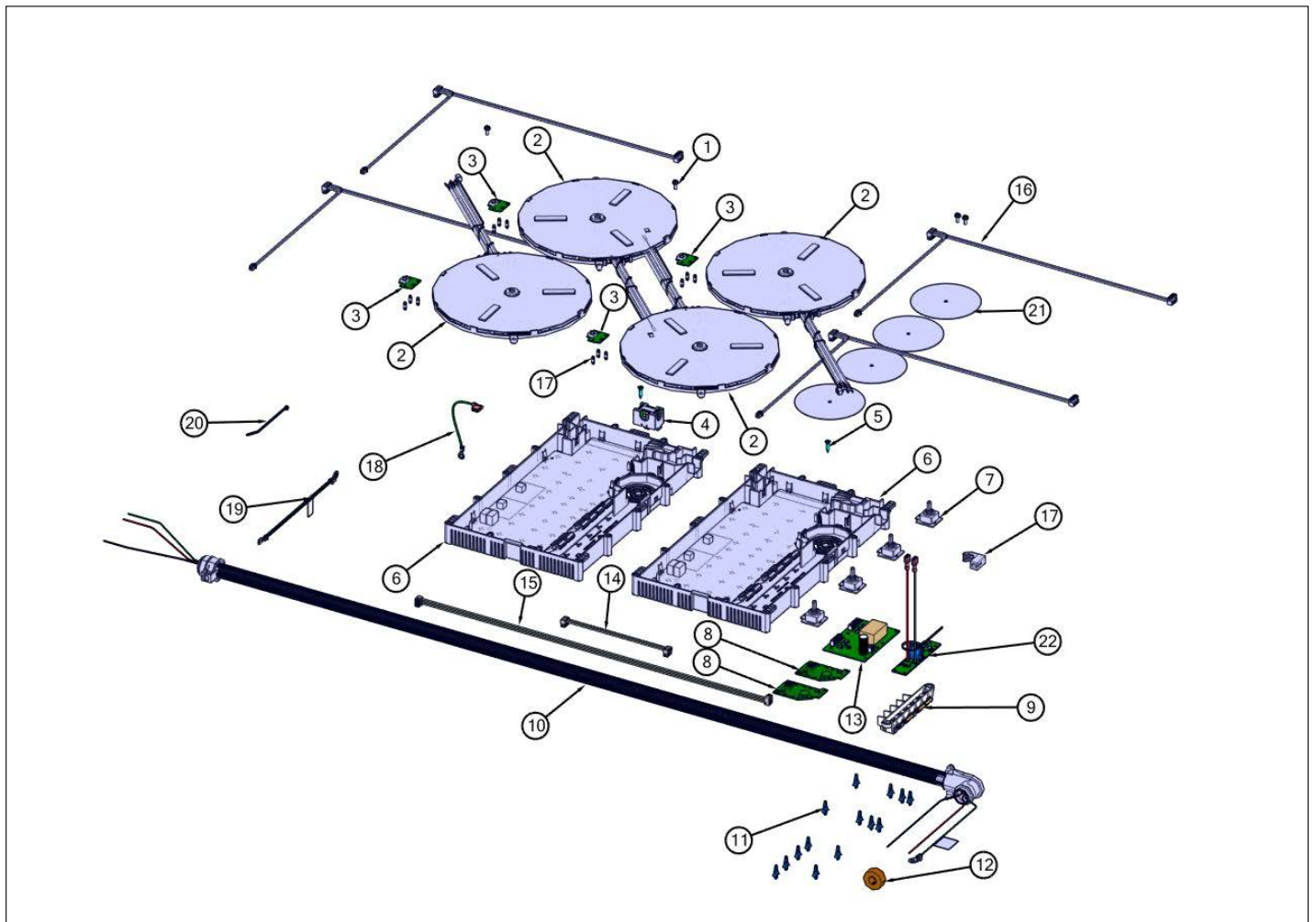
Burner Box View





| Item | Part No.   | Name   | Qty | Uom | NOTES  |
|------|------------|--|-----|-----|--|
| 1    | 045665-000 | HOLDER, LIGHT, PIPE                            | 4   | EA  | Not available online / Call for pricing and availability |
| 2    | 043360-000 | LIGHT PIPE, 36", HORZ                          | 2   | EA  | Not available online / Call for pricing and availability |
| 3    | 043363-000 | LIGHT PIPE, 30", HORZ                          | 2   | EA  | Not available online / Call for pricing and availability |
| 4    | 043090-000 | BASE, ELEMENT, INDUCTION, 30"                  | 4   | EA  | Not available online / Call for pricing and availability |
| 5    | 052470-000 | PLATE, MTG, INDUCTION 30" MODULE 1             | 1   | EA  | Not available online / Call for pricing and availability |
| 6    | 044546-000 | CLAMP, CONDUIT                                 | 1   | EA  |  |
| 7    | 052476-000 | PLATE, MTG, INDUCTION 30" MODULE 2             | 1   | EA  | Not available online / Call for pricing and availability |
| 8    | 003820-000 | INDUCTION FAN SEAL - NLA                       | 2   | EA  |  |
| 9    | 008863-000 | SCREW NO.8 - 18 X 3/8, PHIL, LOW PROFILE TRUSS | 28  | EA  |  |
| 10   | 003860-000 | 10-18 x .500 FASTNR,SCR,HXWH,STL,ZPLT          | 3   | EA  |  |
| 11   | 043616-000 | COVER, TERMINAL, BLOCK                         | 1   | EA  | Not available online / Call for pricing and availability |
| 12   | 042420-000 | BOX, BNR, INDUCTION, 30                        | 1   | EA  |  |
| 13   | 051576-000 | BRACKET, MTG, ELECTRONICS                      | 1   | EA  | Not available online / Call for pricing and availability |
| 14   | PD030029   | SELF RETAINING NUT (1/4-20)                    | 6   | EA  |  |
| 15   | 038618-000 | BRACKET, HOLD                                  | 6   | EA  |  |
| 16   | PD010027   | EYE BOLT-VGSU101/161                           | 6   | EA  |  |
| 17   | PD020004   | 10X3/8PH.HD.TYPE 25 REPL PD040125              | 6   | EA  |  |

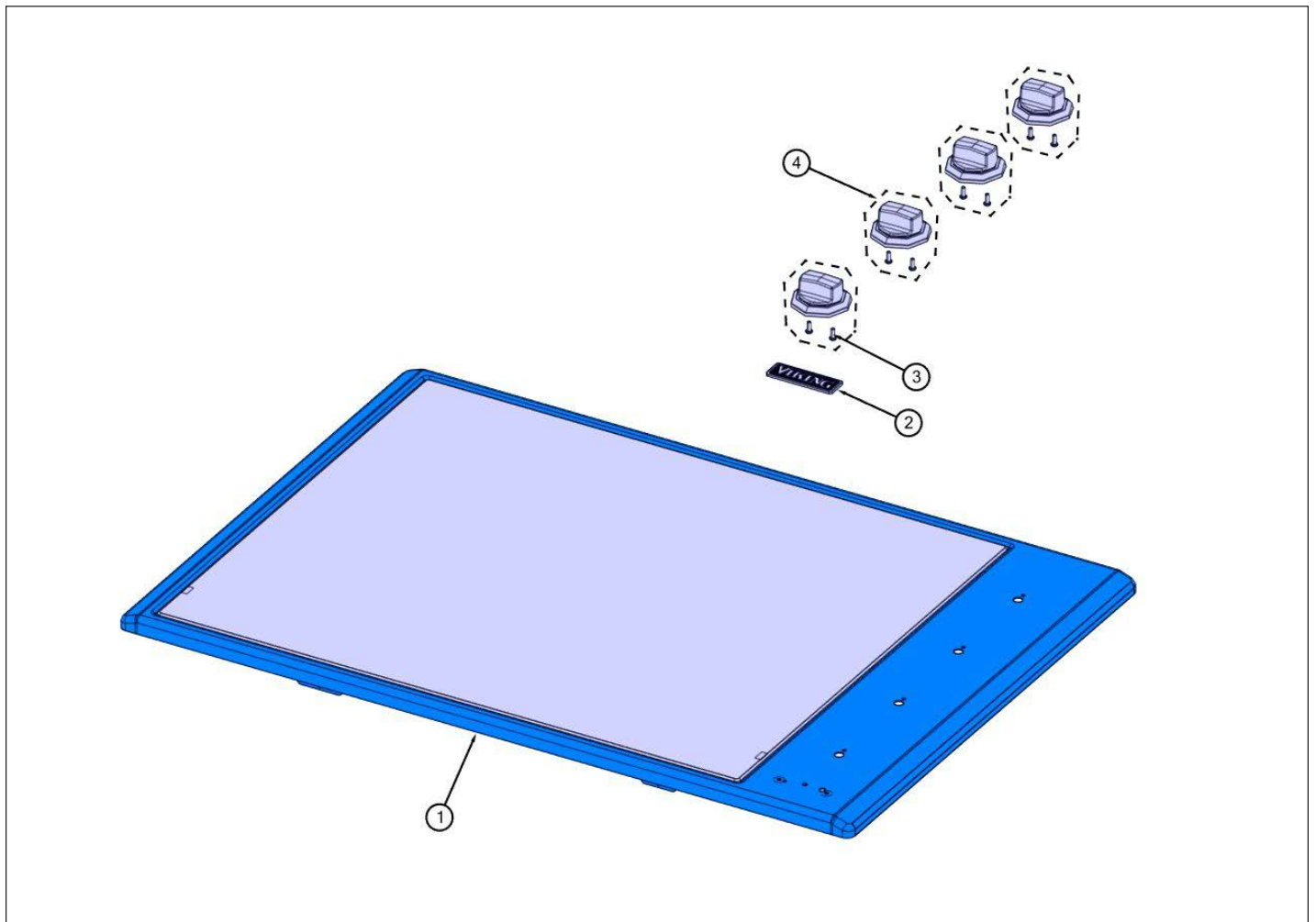
Electrical View





| Item | Part No.   | Name   | Qty | Uom | NOTES  |
|------|------------|--|-----|-----|--|
| 1    | PD020010   | 10 X 3/8 GREEN GROUNDING SCREW   | 4   | EA  |  |
| 2    | 041803-000 | INDUCTOR EGO 210   | 4   | EA  |  |
| 3    | 043044-000 | LIGHT, IND, HOT  | 4   | EA  |  |
| 4    | 045743-000 | HOUSING, LED, ASM  | 1   | EA  |  |
| 5    | PD020061   | ' #8 X 3/4 FLAT HD TEK. *SS*   | 2   | EA  |  |
| 6    | 041802-000 | GENERATOR EGO G5   | 2   | EA  |  |
| 7    | 003225-000 | ROTARY INDUCTION CONTROL   | 4   | EA  |  |
| 8    | 003154-046 | CONVERTER, INDUCTION   | 2   | EA  |  |
| 9    | 054135-000 | BLOCK, TERMINAL, 6-POLE (Heyco # 9454)                                 | 1   | EA  |  |
| 10   | 040189-000 | HARNESS, CNDT, IND   | 1   | EA  |  |
| 11   | 003715-000 | CONVERTER STANDOFF   | 14  | EA  |  |
| 12   | 003592-000 | CASED CORE   | 1   | EA  |  |
| 13   | 060266-000 | PCBA, DRIVER, LED, AC CHOKE, VIC ASSY                                  | 1   | EA  |  |
| 14   | 046521-000 | HARNESS, VIC, LED, IND, 18" & FAMILY                                   | 1   | EA  | Not available online / Call for pricing and availability |
| 15   | 051870-000 | HARN, VIC, GEN, 24" & FAMILY   | 1   | EA  | Not available online / Call for pricing and availability |
| 16   | 046531-000 | HARNESS, VIC, INDUCTION, CONTROL                                       | 4   | EA  | Not available online / Call for pricing and availability |
| 17   | 003591-000 | STRAIN RELIEF  | 1   | EA  |  |
| 18   | 043994-000 | WIRE, GROUND, 5"   | 1   | EA  |  |
| 19   | 055316-000 | WIRE, JUMPER, PE GROUND, 10AWG, VIC ASSY                               | 1   | EA  | Not available online / Call for pricing and availability |
| 20   | 050786-000 | TIE, CABLE, LOCKING, 2.5MM X 4", 18 LBS, 115C, BLK, PANDUIT, PLY1M-M30 | 1   | EA  |  |
| NI   | M0104106   | CLIP-CORD VM0104106  | 2   | EA  |  |
| 21   | 019955-000 | SHIELD, WTR  | 4   | EA  |  |
| 22   | 060266-000 | PCBA, DRIVER, LED, AC CHOKE, VIC ASSY                                  | 1   | EA  |  |

Surface Cooking View

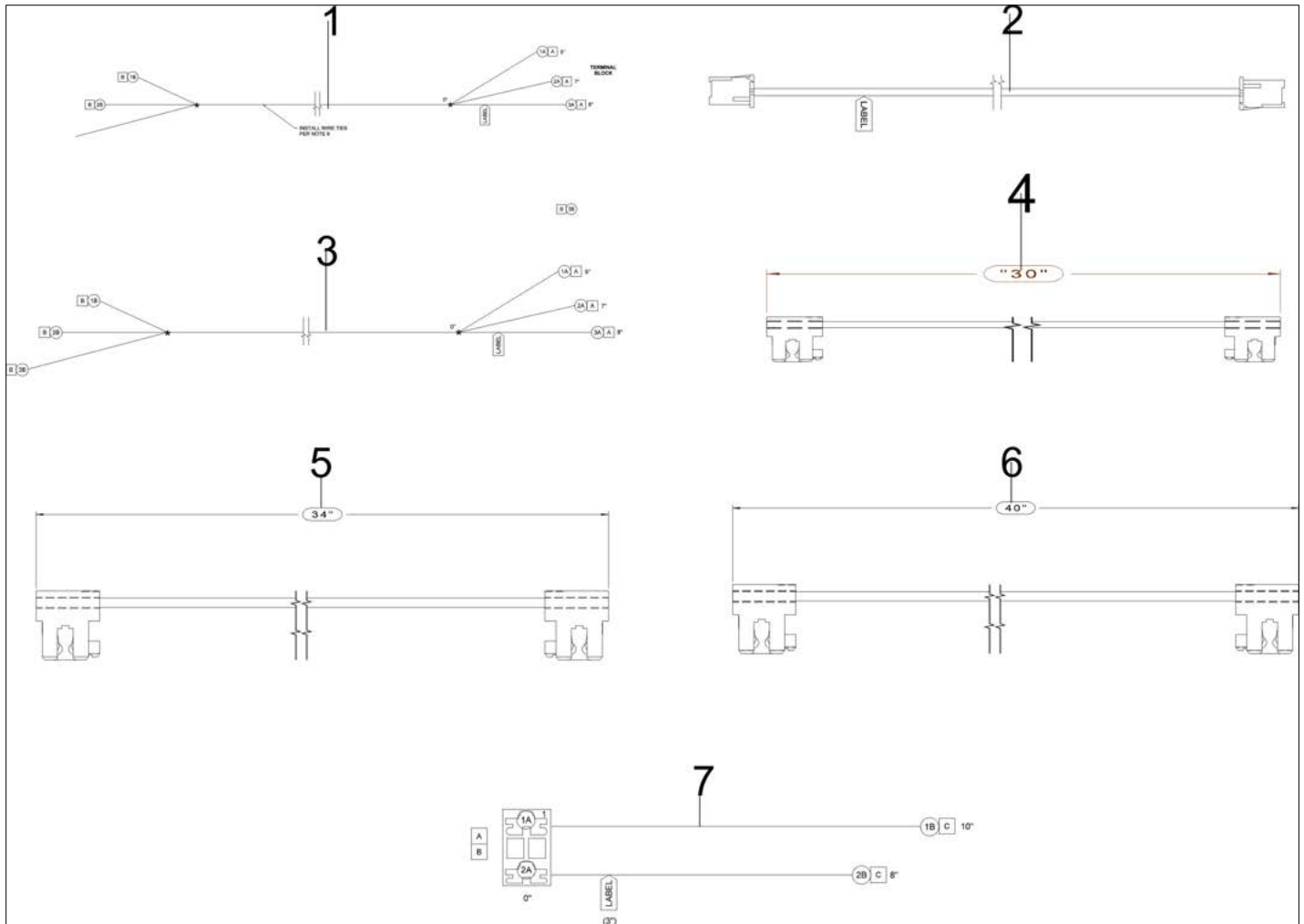






| Item | Part No.    | Name  | Qty | Uom | NOTES |
|------|-------------|---|-----|-----|-------|
| 1    | 067387-2746 | TOP ASM, VICU301<br>W/GRAPHICS                | 1   | EA  |       |
| 2    | 065859-000  | NAMEPLATE, VIKING,<br>ADHESIVE W/PINS, 2.750" | 1   | EA  |       |
| 3    | PD020076    | 6-32 X 3/8" PHILL PAN MS                      | 8   | EA  |       |
| 4    | 066526-000  | KNOB, INDUCTION, BLACK<br>CHROME, ASM         | 4   | EA  |       |

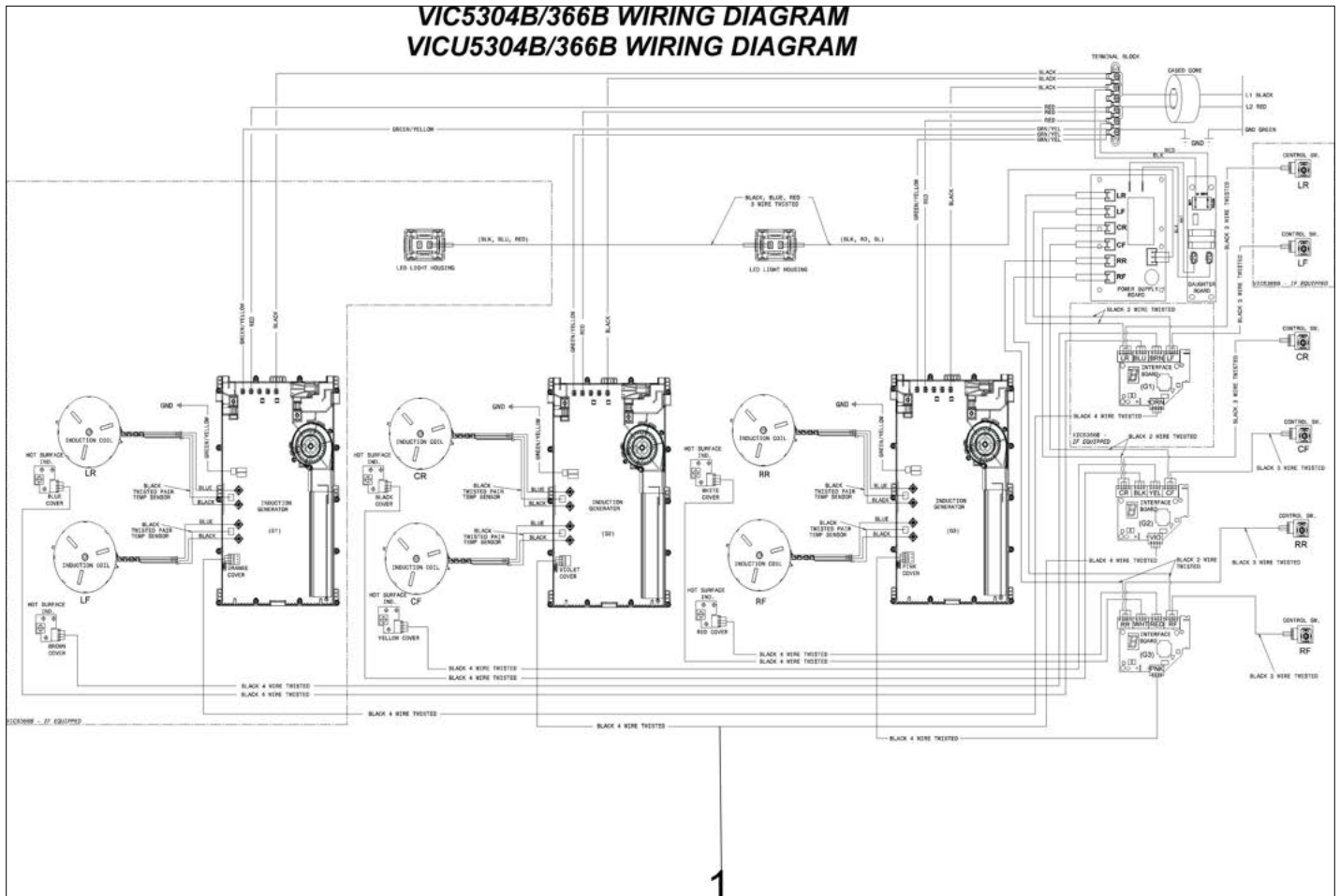
Wiring View





| Item | Part No.   | Name                                    | Qty | Uom | NOTES  |
|------|------------|---|-----|-----|--|
| 1    | 052303-000 | HARN, VIC, GEN, 18" & FAMILY            | 1   | EA  | Not available online / Call for pricing and availability |
| 2    | 064230-000 | HARN, VIC, LED, CUBE, 19"<br>(HPN-1944) | 1   | EA  |  |
| 3    | 052536-000 | HARN, VIC, PWR, GEN, 28"                | 1   | EA  |  |
| 4    | 046522-000 | HARNESS, VIC, LED, IND, 30"             | 1   | EA  | Not available online / Call for pricing and availability |
| 5    | 046524-000 | HARNESS, VIC, LED, IND, 26"             | 1   | EA  | Not available online / Call for pricing and availability |
| 6    | 046525-000 | HARNESS, VIC, LED, IND, 36"             | 1   | EA  | Not available online / Call for pricing and availability |
| NI   | 046527-000 | HARNESS, VIC, GEN, 30"                  | 1   | EA  | Not available online / Call for pricing and availability |
| 7    | 051751-000 | HARN, VIC, PWR, LED, PWR<br>SUPPLY      | 1   | EA  |  |

Wiring Diagram View



1



| Item | Part No.   | Name                            | Qty | Uom | NOTES |
|------|------------|---------------------------------|-----|-----|-------|
| 1    | 048122-000 | DIAGRAM, WRG,<br>VIC5304B/5366B | 1   | EA  |       |



Appendix A:Pages Index

|                            |   |
|----------------------------|---|
| Burner Box View .....      | 1 |
| Electrical View .....      | 2 |
| Surface Cooking View ..... | 3 |
| Wiring Diagram View .....  | 5 |
| Wiring View .....          | 4 |



Appendix B:Parts Index

|            |   |             |      |
|------------|---|-------------|------|
| 003154-046 | 2 | 060266-000  | 2, 2 |
| 003225-000 | 2 | 064230-000  | 4    |
| 003591-000 | 2 | 065859-000  | 3    |
| 003592-000 | 2 | 066526-000  | 3    |
| 003715-000 | 2 | 067387-2746 | 3    |
| 003820-000 | 1 | M0104106    | 2    |
| 003860-000 | 1 | PD010027    | 1    |
| 008863-000 | 1 | PD020004    | 1    |
| 019955-000 | 2 | PD020010    | 2    |
| 038618-000 | 1 | PD020061    | 2    |
| 040189-000 | 2 | PD020076    | 3    |
| 041802-000 | 2 | PD030029    | 1    |
| 041803-000 | 2 |             |      |
| 042420-000 | 1 |             |      |
| 043044-000 | 2 |             |      |
| 043090-000 | 1 |             |      |
| 043360-000 | 1 |             |      |
| 043363-000 | 1 |             |      |
| 043616-000 | 1 |             |      |
| 043994-000 | 2 |             |      |
| 044546-000 | 1 |             |      |
| 045665-000 | 1 |             |      |
| 045743-000 | 2 |             |      |
| 046521-000 | 2 |             |      |
| 046522-000 | 4 |             |      |
| 046524-000 | 4 |             |      |
| 046525-000 | 4 |             |      |
| 046527-000 | 4 |             |      |
| 046531-000 | 2 |             |      |
| 048122-000 | 5 |             |      |
| 050786-000 | 2 |             |      |
| 051576-000 | 1 |             |      |
| 051751-000 | 4 |             |      |
| 051870-000 | 2 |             |      |
| 052303-000 | 4 |             |      |
| 052470-000 | 1 |             |      |
| 052476-000 | 1 |             |      |
| 052536-000 | 4 |             |      |
| 054135-000 | 2 |             |      |
| 055316-000 | 2 |             |      |