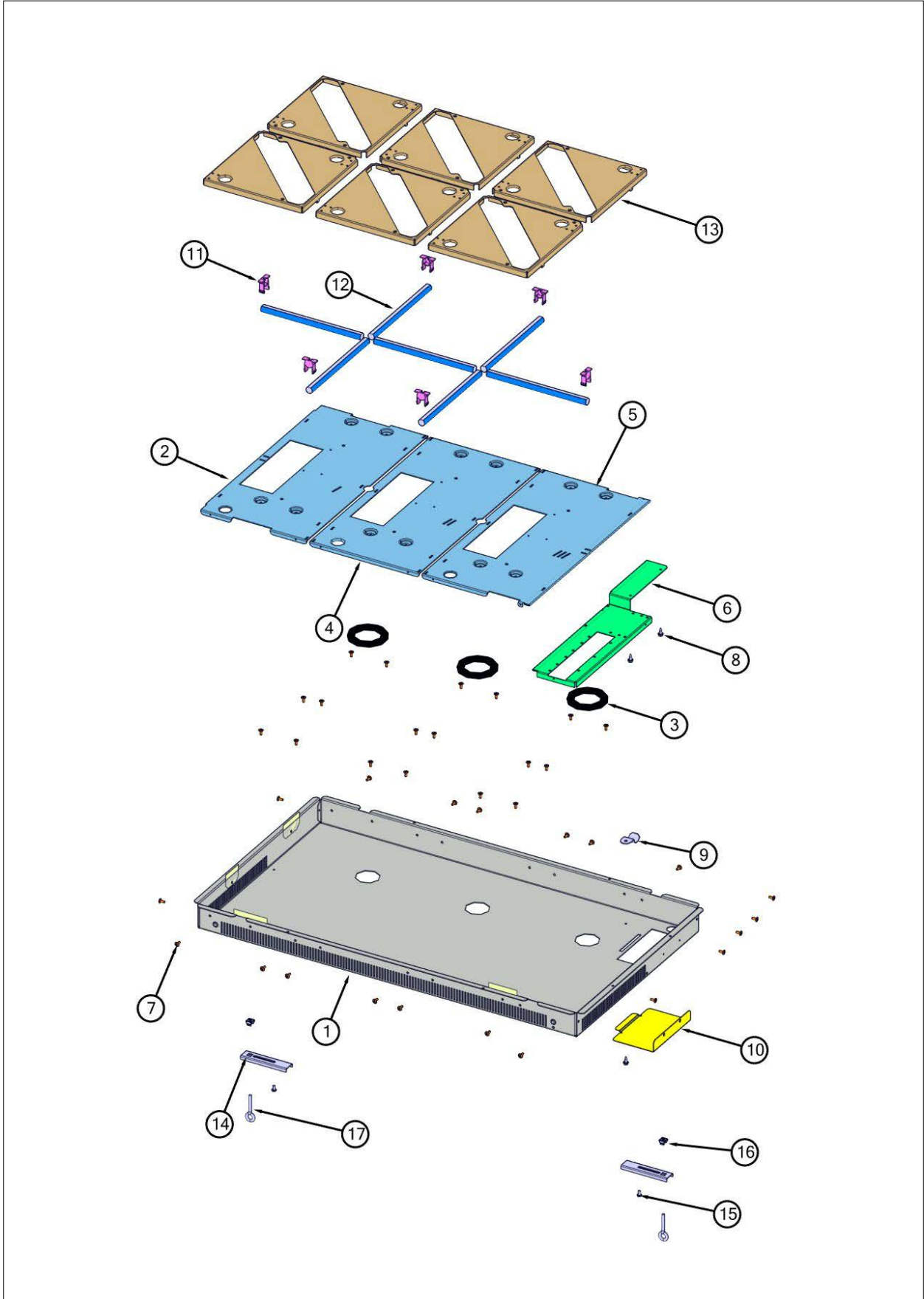


VICU53616BSS

Burner Box View	1
Electrical View	2
Surface Cooking View	3
Wiring View	4
Appendix A:Pages Index	A
Appendix B:Parts Index	B

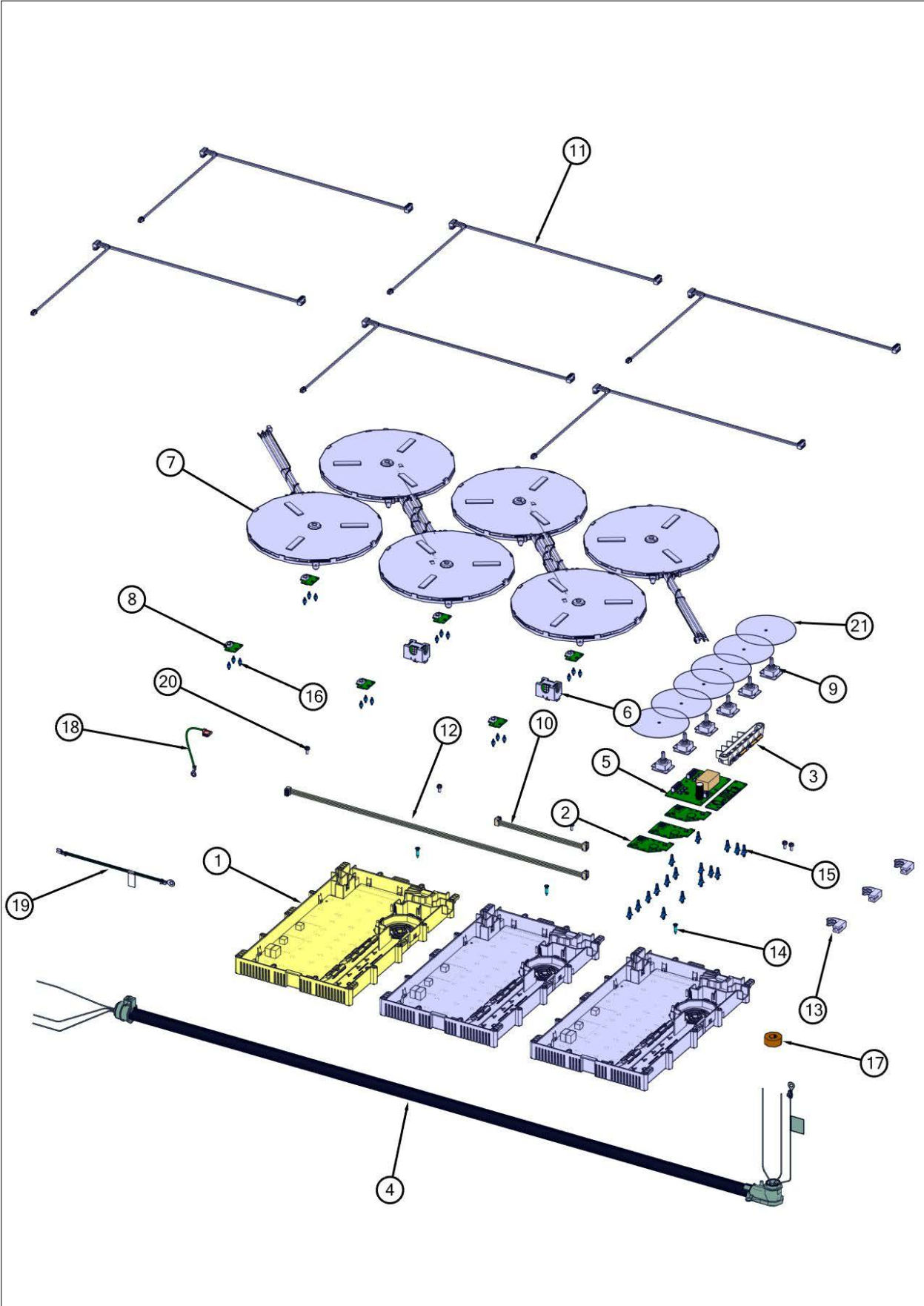
Burner Box View





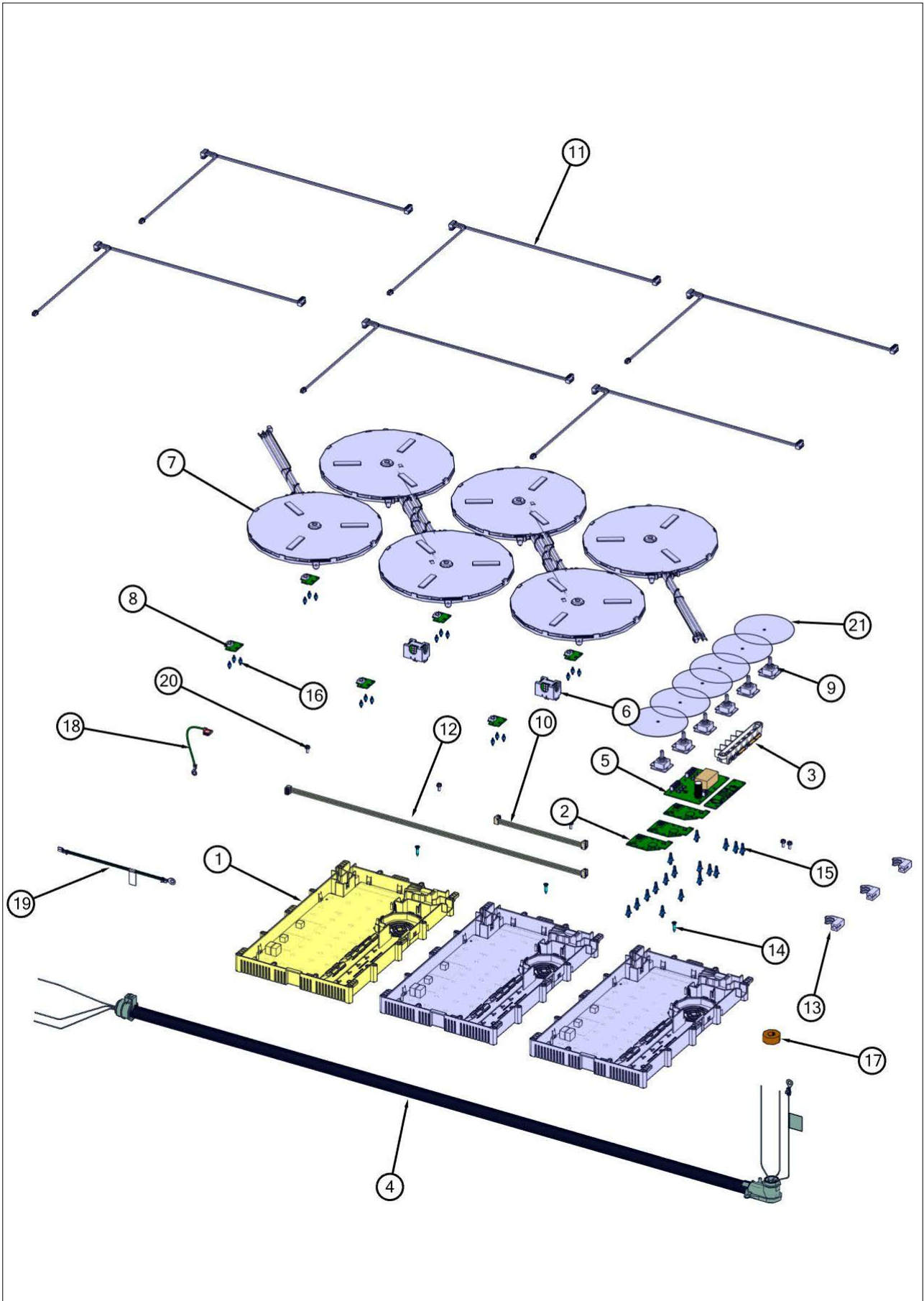
Item	Part No.	Name	Qty	Uom	NOTES
1	041786-000	BOX, BNR, INDUCTION	1	EA	
2	052438-000	PLATE, MTG, INDUCTION 36" MODULE 1	1	EA	Not available online / Call for pricing and availability
3	003820-000	INDUCTION FAN SEAL - NLA	3	EA	
4	052440-000	PLATE, MTG, INDUCTION 36" MODULE 2	1	EA	Not available online / Call for pricing and availability
5	052441-000	PLATE, MTG, INDUCTION 36" MODULE 3	1	EA	Not available online / Call for pricing and availability
6	051576-000	BRACKET, MTG, ELECTRONICS	1	EA	Not available online / Call for pricing and availability
7	008863-000	SCREW NO.8 - 18 X 3/8, PHIL, LOW PROFILE TRUSS	38	EA	
8	003860-000	10-18 x .500 FASTNR,SCR,HXWH,STL,ZPLT	3	EA	
9	044546-000	CLAMP, CONDUIT	1	EA	
10	043616-000	COVER, TERMINAL, BLOCK	1	EA	Not available online / Call for pricing and availability
11	045665-000	HOLDER, LIGHT, PIPE	6	EA	Not available online / Call for pricing and availability
12	043360-000	LIGHT PIPE, 36", HORZ	7	EA	Not available online / Call for pricing and availability
13	043043-000	BASE, ELEMENT, INDUCTION, 36"	6	EA	Not available online / Call for pricing and availability
14	038618-000	BRACKET, HOLD	6	EA	
15	PD020004	10X3/8PH.HD.TYPE 25 REPL PD040125	6	EA	
16	PD030029	SELF RETAINING NUT (1/4-20)	6	EA	
17	PD010027	EYE BOLT-VGSU101/161	6	EA	

Electrical View





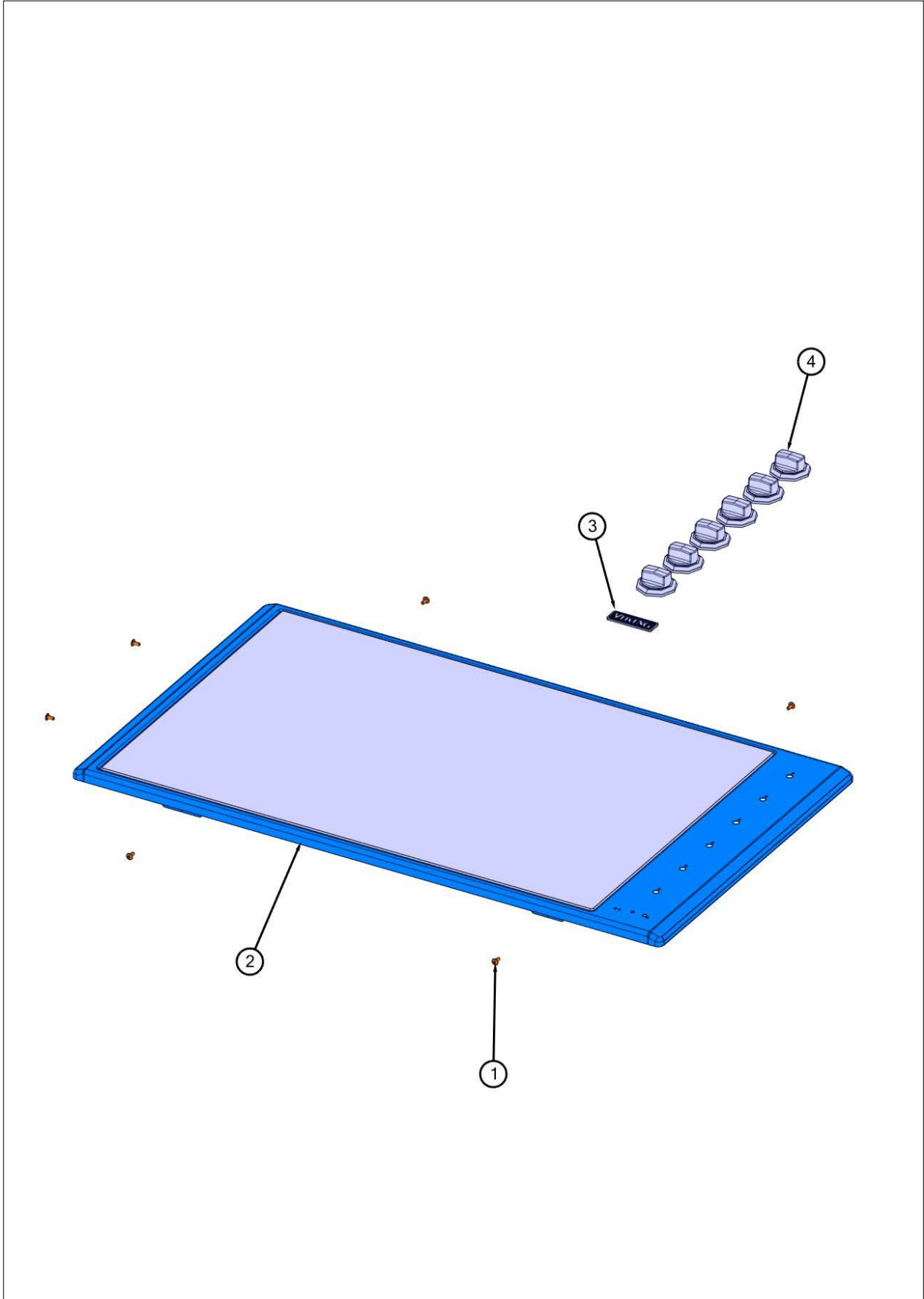
Item	Part No.	Name	Qty	Uom	NOTES
1	041802-000	GENERATOR EGO G5	3	EA	
2	003154-046	CONVERTER, INDUCTION	3	EA	
3	054135-000	BLOCK, TERMINAL, 6-POLE (Heyco # 9454)	1	EA	
4	040189-000	HARNESS, CNDT, IND	1	EA	
5	060266-000	PCBA, DRIVER, LED, AC CHOKE, VIC ASSY	1	EA	
Not Shown	NOTE	(MUST ORDER NEW BRACKET 051576-000 IF GOING FROM TWO BOARDS TO ONE)		EA	
6	045743-000	HOUSING, LED, ASM	2	EA	
7	041803-000	INDUCTOR EGO 210	6	EA	
8	043044-000	LIGHT, IND, HOT	6	EA	
9	003225-000	ROTARY INDUCTION CONTROL	6	EA	
10	046521-000	HARNESS, VIC, LED, IND, 18" & FAMILY	1	EA	Not available online / Call for pricing and availability
11	046531-000	HARNESS, VIC, INDUCTION, CONTROL	6	EA	Not available online / Call for pricing and availability
12	051870-000	HARN, VIC, GEN, 24" & FAMILY	1	EA	Not available online / Call for pricing and availability
13	003591-000	STRAIN RELIEF	3	EA	
14	PD020061	' #8 X 3/4 FLAT HD TEK. *SS*	3	EA	
15	003715-000	CONVERTER STANDOFF	17	EA	
16	003148-000	LED STANDOFF	18	EA	
17	003592-000	CASED CORE	1	EA	
18	043994-000	WIRE, GROUND, 5"	3	EA	
19	055316-000	WIRE, JUMPER, PE GROUND, 10AWG, VIC ASSY	1	EA	Not available online / Call for pricing and availability
20	PD020010	10 X 3/8 GREEN GROUNDING SCREW	5	EA	
21	019955-000	SHIELD, WTR	6	EA	
NI	M0104106	CLIP-CORD VM0104106	4	EA	





Item	Part No.	Name	Qty	Uom	NOTES
NI	050786-000	TIE, CABLE, LOCKING, 2.5MM X 4", 18 LBS, 115C, BLK, PANDUIT, PLY1M-M30	1	EA	
NI	059796-000	TERM, REC QD 2TAB ADAPTER STR .250 X .032 ININS TPBR TE FASTON 61765-2	1	EA	

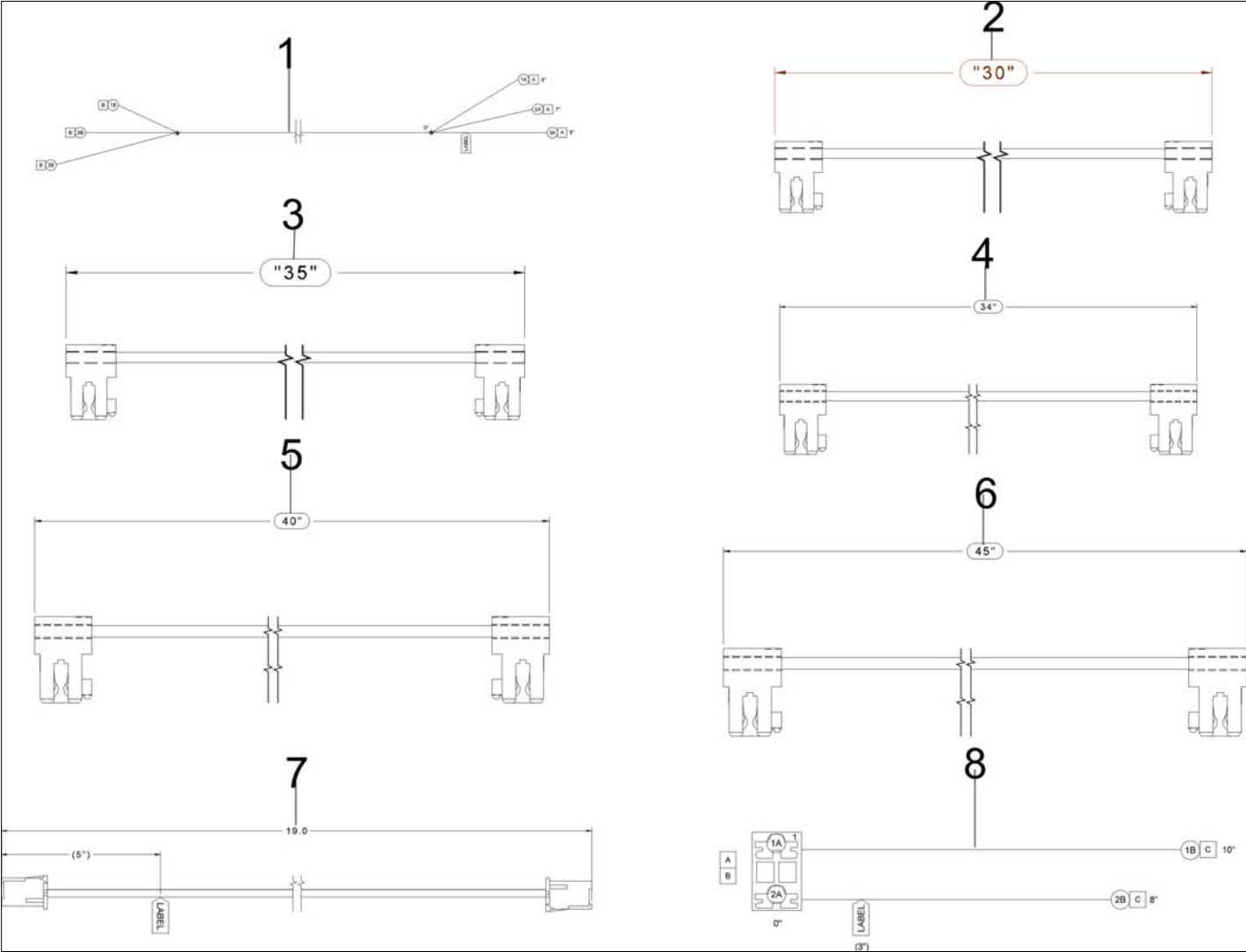
Surface Cooking View





Item	Part No.	Name	Qty	Uom	NOTES
1	008863-000	SCREW NO.8 - 18 X 3/8, PHIL, LOW PROFILE TRUSS	1	EA	
2	055415-2747	TOP ASM, VICU5366B W/GRAPHICS	1	EA	
3	065859-000	NAMEPLATE, VIKING, ADHESIVE W/PINS, 2.750"	1	EA	
4	066526-000	KNOB, INDUCTION, BLACK CHROME, ASM	6	EA	

Wiring View





Item	Part No.	Name	Qty	Uom	NOTES
1	052303-000	HARN, VIC, GEN, 18" & FAMILY	1	EA	Not available online / Call for pricing and availability
2	046522-000	HARNESS, VIC, LED, IND, 30"	1	EA	Not available online / Call for pricing and availability
3	046523-000	HARNESS, VIC, LED, IND, 35"	1	EA	Not available online / Call for pricing and availability
4	046524-000	HARNESS, VIC, LED, IND, 26"	1	EA	Not available online / Call for pricing and availability
5	046525-000	HARNESS, VIC, LED, IND, 36"	1	EA	Not available online / Call for pricing and availability
6	046526-000	HARNESS, VIC, LED, IND, 43"	1	EA	Not available online / Call for pricing and availability
7	064230-000	HARN, VIC, LED, CUBE, 19" (HPN-1944)	2	EA	
8	051751-000	HARN, VIC, PWR, LED, PWR SUPPLY	1	EA	
NI	052537-000	HARN, VIC, PWR, GEN, 37"	1	EA	
NI	052536-000	HARN, VIC, PWR, GEN, 28"	1	EA	
NI	046527-000	HARNESS, VIC, GEN, 30"	1	EA	Not available online / Call for pricing and availability
NI	046528-000	HARNESS, VIC, GEN, 39"	1	EA	



Appendix A:Pages Index

Burner Box View 1
Electrical View 2
Surface Cooking View 3
Wiring View 4



Appendix B:Parts Index

003148-000	2	052536-000	4
003154-046	2	052537-000	4
003225-000	2	054135-000	2
003591-000	2	055316-000	2
003592-000	2	055415-2747	3
003715-000	2	059796-000	2
003820-000	1	060266-000	2
003860-000	1	064230-000	4
008863-000	1, 3	065859-000	3
019955-000	2	066526-000	3
038618-000	1	M0104106	2
040189-000	2	PD010027	1
041786-000	1	PD020004	1
041802-000	2	PD020010	2
041803-000	2	PD020061	2
043043-000	1	PD030029	1
043044-000	2		
043360-000	1		
043616-000	1		
043994-000	2		
044546-000	1		
045665-000	1		
045743-000	2		
046521-000	2		
046522-000	4		
046523-000	4		
046524-000	4		
046525-000	4		
046526-000	4		
046527-000	4		
046528-000	4		
046531-000	2		
050786-000	2		
051576-000	1		
051751-000	4		
051870-000	2		
052303-000	4		
052438-000	1		
052440-000	1		
052441-000	1		