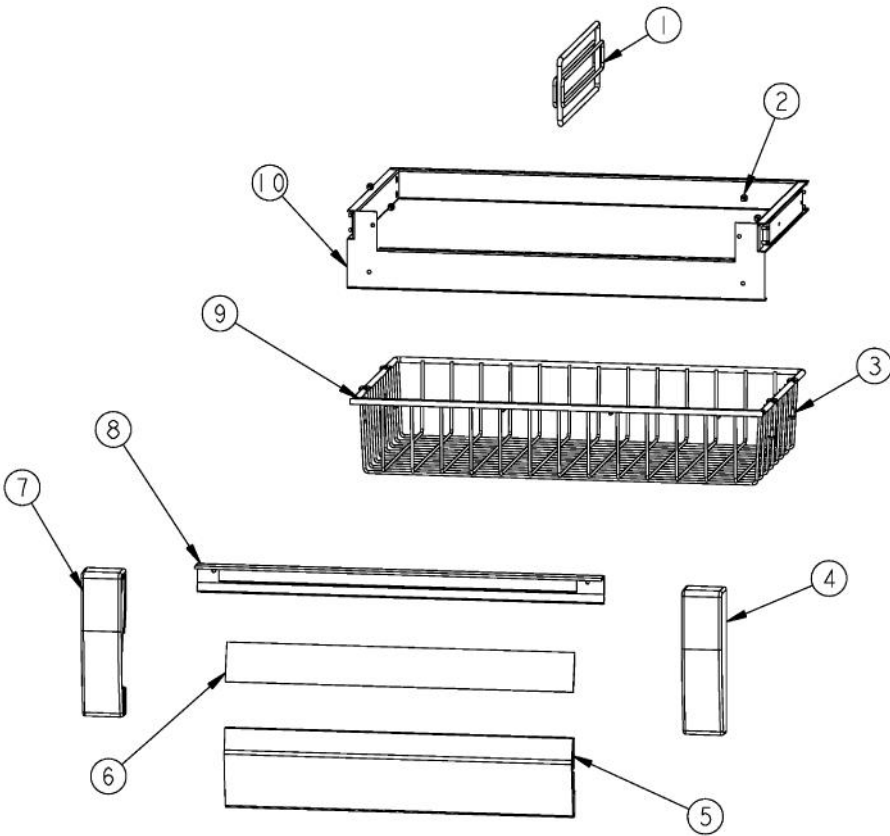
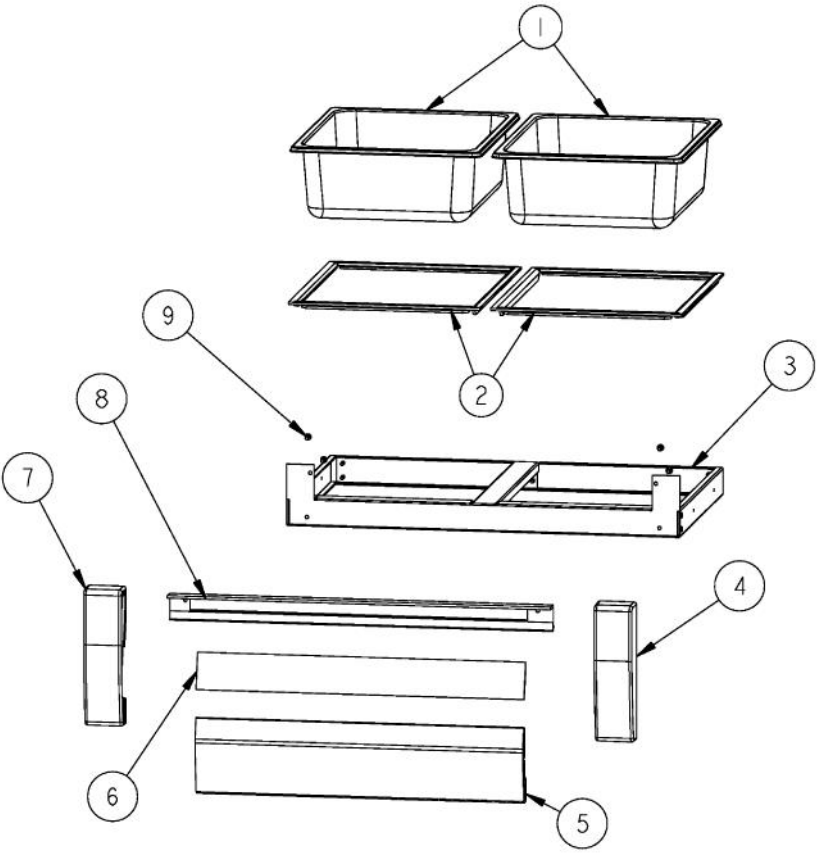


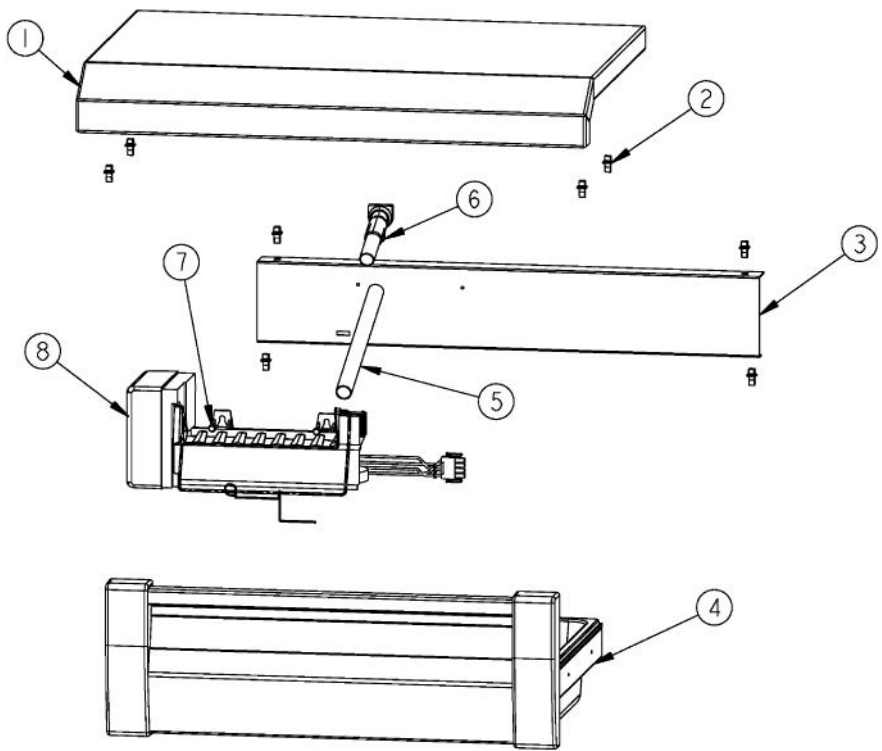
| Ref # | Part Number | Qty. | Description |
|-------|-------------|------|---|
| 1 | PM910405 | | SHELF WIRE AF 30 |
| 2 | G50911315 | | DRAWER BASKET ASM AF 30 FOR BREAKDOWN SEE PAGE 002 |
| 3 | G50911316 | | DRAWER ICE ASM AF 30 FOR BREAKDOWN SEE PAGE 003 |
| 4 | G50911931 | | SHELF ICE ASM UPPER AF 30 FOR BREAKDOWN SEE PAGE 004 |



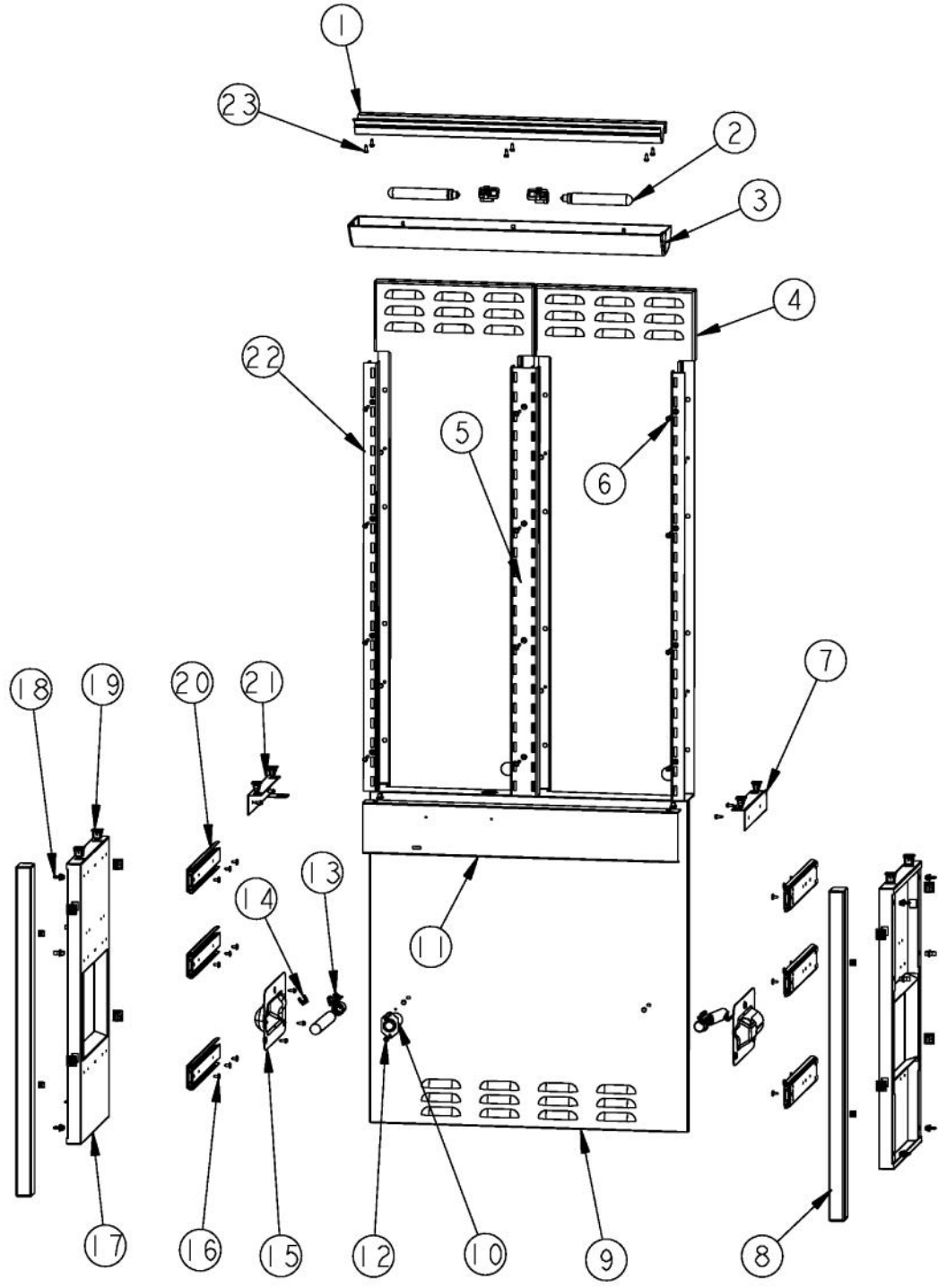
| Ref # | Part Number | Qty. | Description |
|-------|-------------|------|--|
| 1 | PM910439 | | DIVIDER BASKET WIRE AF 36 |
| 2 | PD920161 | | SCR 8-16 PLASTITE PNP 3/8 S |
| 3 | PD020194 | | SCREW-SM |
| 4 | PK930316 | | ENDTRIM ICE DRAWER R |
| 5 | PK920061 | | EXTRUSION DRAWER FRONT AF 30 |
| 6 | PE940233 | | GLASS DRAWER ICE AF 30 |
| 7 | PK930317 | | ENDTRIM ICE DRAWER L |
| 8 | PK920060 | | EXTRUSION DRAWER CAP AF 30 |
| 9 | PM910402 | | BASKET WIRE AF 30 |
| 10 | G90911313WH | | FRAME BASKET DRAWER ASM AF 30 XWHX |
| NI | G50911315 | | DRAWER BASKET ASM AF 30 (INCLUDES ITEMS 1 THROUGH 10) |



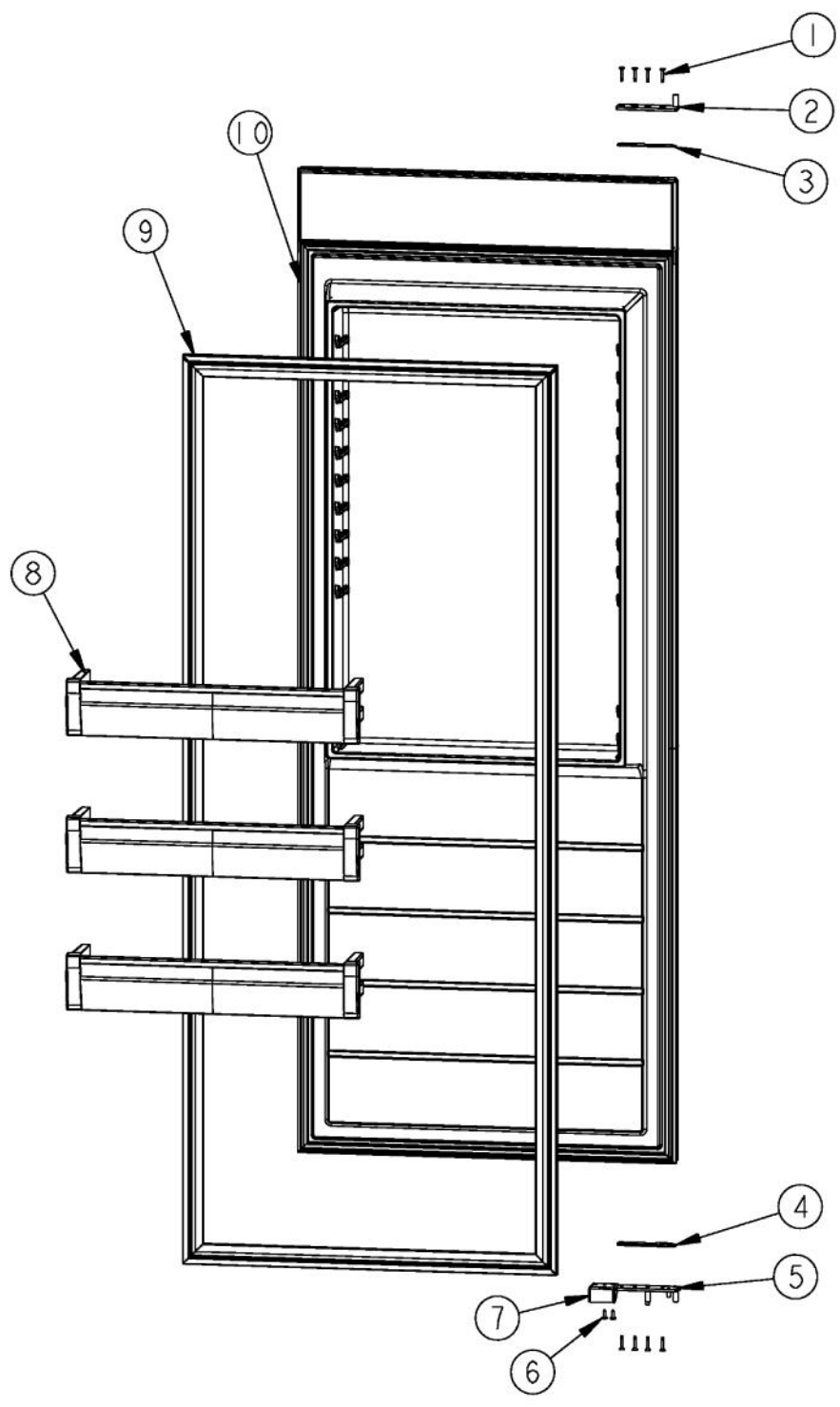
| Ref # | Part Number | Qty. | Description |
|-------|-------------|------|--|
| 1 | PM910461 | | PAN ICE AF 36 30 |
| 2 | PB970211 | | GASKET FRAME AF 30 & 36 |
| 3 | G90911314WH | | FRAME ICE DRAWER ASM AF 30 XWHX |
| 4 | PK930316 | | ENDTRIM ICE DRAWER R |
| 5 | PK920061 | | EXTRUSION DRAWER FRONT AF 30 |
| 6 | PE940233 | | GLASS DRAWER ICE AF 30 |
| 7 | PK930317 | | ENDTRIM ICE DRAWER L |
| 8 | PK920060 | | EXTRUSION DRAWER CAP AF 30 |
| 9 | PD920161 | | SCR 8-16 PLASTITE PNP 3/8 S |
| NI | G50911316 | | DRAWER ICE ASM AF 30 (INCLUDES ITEMS 1 THROUGH 9) |



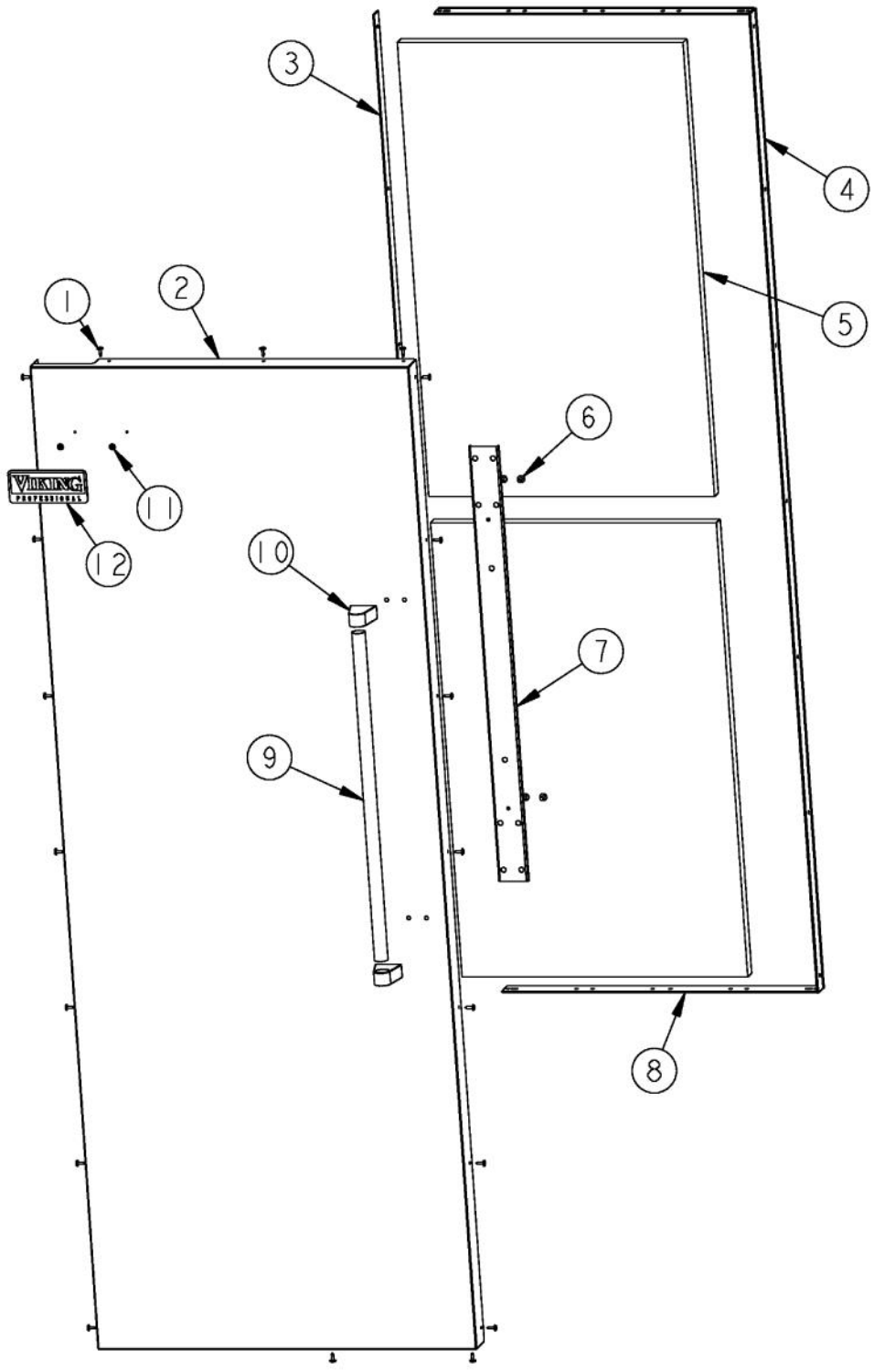
| Ref # | Part Number | Qty. | Description |
|-------|-------------|------|---|
| 1 | C90911930 | | ASM PAINT SHELF COVER AF 36 |
| 2 | PD950012 | | STRIKE PANEL ACCESS |
| 3 | C90911142WH | | PLATE IN MOUNT AF 30 XWHX |
| 4 | G50911316 | | DRAWER ICE ASM AF 30 FOR BREAKDOWN SEE PAGE 003 |
| 5 | A3127415 | | EXT-FILL TUBE |
| 6 | G5096419 | | FILL TUBE ASSY 10942511 |
| 7 | PD020194 | | SCREW-SM |
| 8 | 002252-000 | | ICE MAKER |
| NI | G50911931 | | SHELF ICE ASM UPPER AF 30 (INCLUDES ITEMS 1 & 2) |



| Ref # | Part Number | Qty. | Description |
|-------|-------------|------|------------------------------------|
| 1 | L2099492 | | BRACKET LIGHT SXS 48 FF |
| 2 | A3079001 | | LAMP - 40W |
| 3 | PK930268 | | COVER LIGHT ASM AF AR 30 SXS 48 FF |
| 4 | L2099055 | | EVAP COVER UPPER AF 30 |
| 5 | PM910285 | | LADDER CENTER |
| 6 | M0238535 | | SCREW-SM |
| 7 | K20911929 | | BRACKET ICE SHELF R |
| 8 | C90910784WH | | COVER SIDE ASM XWHX |
| 9 | L20911932 | | COVER EVAP LOWER AF 30 |
| 10 | C8983701 | | THERMISTOR |
| 11 | C90911142WH | | PLATE IN MOUNT AF 30 XWHX |
| 12 | M0211014 | | SCREW-SM |
| 13 | PE950125 | | LIGHT SOCKET |
| 14 | B5733302 | | CLIP-GROUND |
| 15 | 10270203 | | HOUSING-LIGHT V10270203 |
| 16 | PD020032 | | SRW-8(A)X3/8PH.WFR HD 7/16DIAXNICL |
| 17 | G90911311 | | BRKT SIDE GLIDE MOUNT -WH |
| 18 | PD950012 | | STRIKE PANEL ACCESS |
| 19 | PD950013 | | LATCH PANEL ACCESS |
| 20 | PC080031 | | SLIDE 12 FULL EXTENSION |
| 21 | K20911928 | | BRACKET ICE SHELF L |
| 22 | PM910282 | | LADDER SIDE |
| 23 | PD020194 | | SCREW-SM |

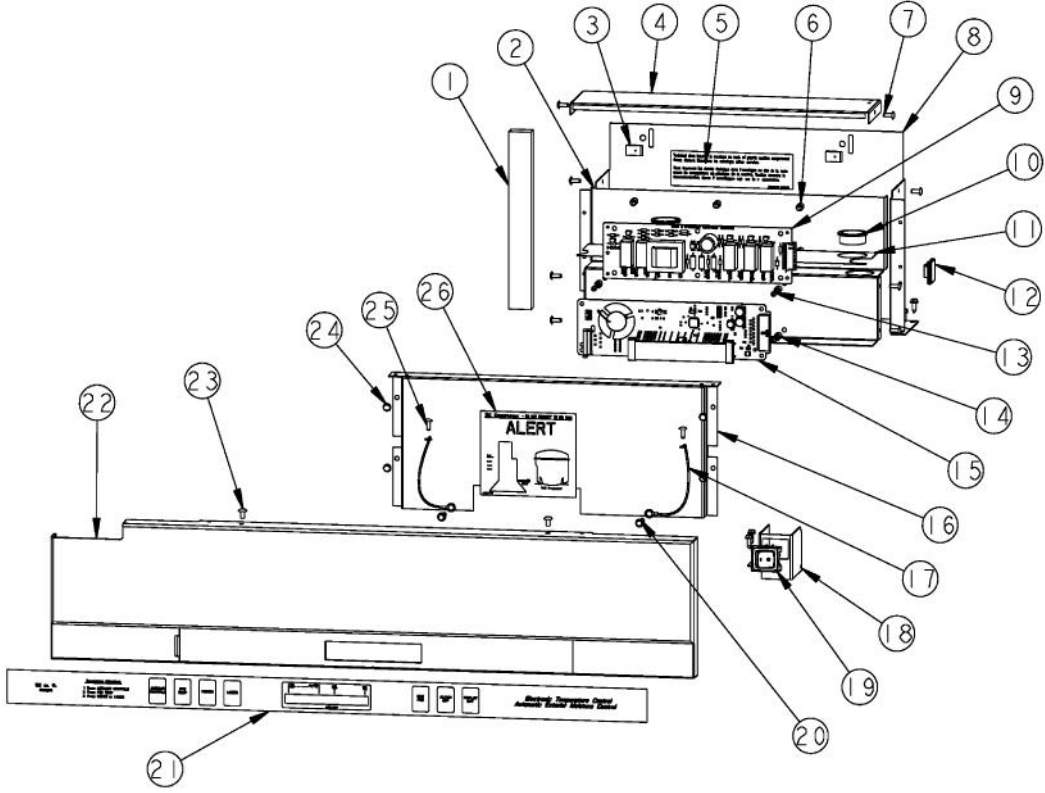


| Ref # | Part Number | Qty. | Description |
|-------|-------------|------|--|
| 1 | PD920174 | | 10-32 TORX HEAD SCREW |
| 2 | PC020279 | | PIVOT PL ASM LH UP PRO/DES |
| | PC020278 | | PIVOT PL ASM RH UP PRO/DES |
| 3 | PD040162 | | SPACER-DOOR HINGE |
| 4 | 001617-000 | | SPACER,NYL,PIVOT PLATE |
| 5 | PC020277 | | PIVOT PL ASM LH LW PRO/DES |
| | PC020276 | | PIVOT PL ASM RH LW PRO/DES |
| 6 | M0210458 | | SCREW-SM |
| 7 | PD050019 | | STRIKER DOOR SWITCH |
| 8 | G5099904 | | DOORBIN ASM AF 30 |
| 9 | PB070333 | 1 | DOOR GASKET 30AR 30AF (BEFORE 06-10-08) |
| 9 | 005448-000 | | GASKET,ASM,30,AFAR (ON OR AFTER 06-10-08) |
| 10 | G32915042 | | DOOR ASM AF 30 (INCLUDES GASKET) |

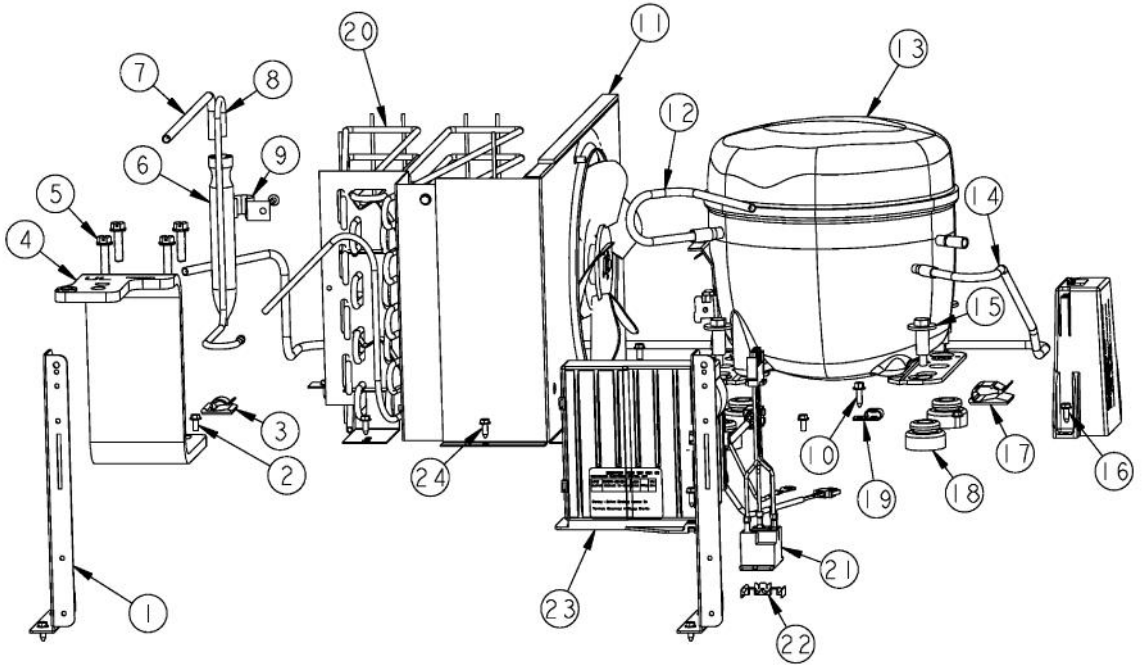


| Ref # | Part Number | Qty. | Description |
|-------|--------------|------|-------------------------------|
| 1 | M0210458 | | SCREW-SM |
| 2 | 003617-000 | | SKIN,DOOR, AF AR 30 PROI R SS |
| | 003618-006WH | | DOOR SKIN - RIGHT HINGE (WH) |
| | 003618-007AL | | DOOR SKIN - RIGHT HINGE (AL) |
| | | | (BEFORE 01/01/08) |
| | 003618-003BT | | DOOR SKIN - RIGHT HINGE (BT) |
| | | | (BEFORE 01/01/08) |
| | 003618-014EP | | DOOR SKIN - RIGHT HINGE (EP) |
| | | | (BEFORE 01/01/08) |
| | 003618-011FG | | DOOR SKIN - RIGHT HINGE (FG) |
| | | | (BEFORE 01/01/08) |
| | 003618-002BK | | DOOR SKIN - RIGHT HINGE (BK) |
| | 003618-008BU | | DOOR SKIN - RIGHT HINGE (BU) |
| | 003618-013CB | | DOOR SKIN - RIGHT HINGE (CB) |
| | 003618-005GG | | DOOR SKIN - RIGHT HINGE (GG) |
| | 003618-004SG | | DOOR SKIN - RIGHT HINGE (SG) |
| | 003618-012VB | | DOOR SKIN - RIGHT HINGE (VB) |
| | 003618-024AR | | DOOR SKIN - RIGHT HINGE (AR) |
| | | | (AFTER 01/01/08) |
| | 003618-016CH | | DOOR SKIN - RIGHT HINGE (CH) |
| | | | (AFTER 01/01/08) |
| | 003618-018CW | | DOOR SKIN - RIGHT HINGE (CW) |
| | | | (AFTER 01/01/08) |
| | 003618-020GM | | DOOR SKIN - RIGHT HINGE (GM) |
| | | | (AFTER 01/01/08) |
| | 003618-023IB | | DOOR SKIN - RIGHT HINGE (IB) |
| | | | (AFTER 01/01/08) |
| | 003618-027MS | | DOOR SKIN - RIGHT HINGE (MS) |
| | | | (AFTER 01/01/08) |
| | 003618-019OG | | DOOR SKIN - RIGHT HINGE (OG) |
| | | | (AFTER 01/01/08) |
| | 003618-015PL | | DOOR SKIN - RIGHT HINGE (PL) |
| | | | (AFTER 01/01/08) |
| | 003618-026PM | | DOOR SKIN - RIGHT HINGE (PM) |
| | | | (AFTER 01/01/08) |
| | 003618-025RR | | DOOR SKIN - RIGHT HINGE (RR) |
| | | | (AFTER 01/01/08) |
| | 003618-021SA | | DOOR SKIN - RIGHT HINGE (SA) |
| | | | (AFTER 01/01/08) |
| | 003618-022SE | | DOOR SKIN - RIGHT HINGE (SE) |
| | | | (AFTER 01/01/08) |
| | 003618-017TP | | DOOR SKIN - RIGHT HINGE (TP) |
| | | | (AFTER 01/01/08) |
| | 003622-000 | | SKIN,DOOR,AF AR 30 PROI L SS |
| | 003628-006WH | | DOOR SKIN - LEFT HINGE (WH) |
| | 003628-007AL | | DOOR SKIN - LEFT HINGE (AL) |
| | | | (BEFORE 01/01/08) |
| | 003628-003BT | | DOOR SKIN - LEFT HINGE (BT) |
| | | | (BEFORE 01/01/08) |
| | 003628-014EP | | DOOR SKIN - LEFT HINGE (EP) |
| | | | (BEFORE 01/01/08) |
| | 003628-011FG | | DOOR SKIN - LEFT HINGE (FG) |
| | | | (BEFORE 01/01/08) |
| | 003628-002BK | | DOOR SKIN - LEFT HINGE (BK) |
| | 003628-008BU | | DOOR SKIN - LEFT HINGE (BU) |
| | 003628-013CB | | DOOR SKIN - LEFT HINGE (CB) |
| | 003628-005GG | | DOOR SKIN - LEFT HINGE (GG) |
| | 003628-004SG | | DOOR SKIN - LEFT HINGE (SG) |
| | 003628-012VB | | DOOR SKIN - LEFT HINGE (VB) |
| | 003628-024AR | | DOOR SKIN - LEFT HINGE (AR) |

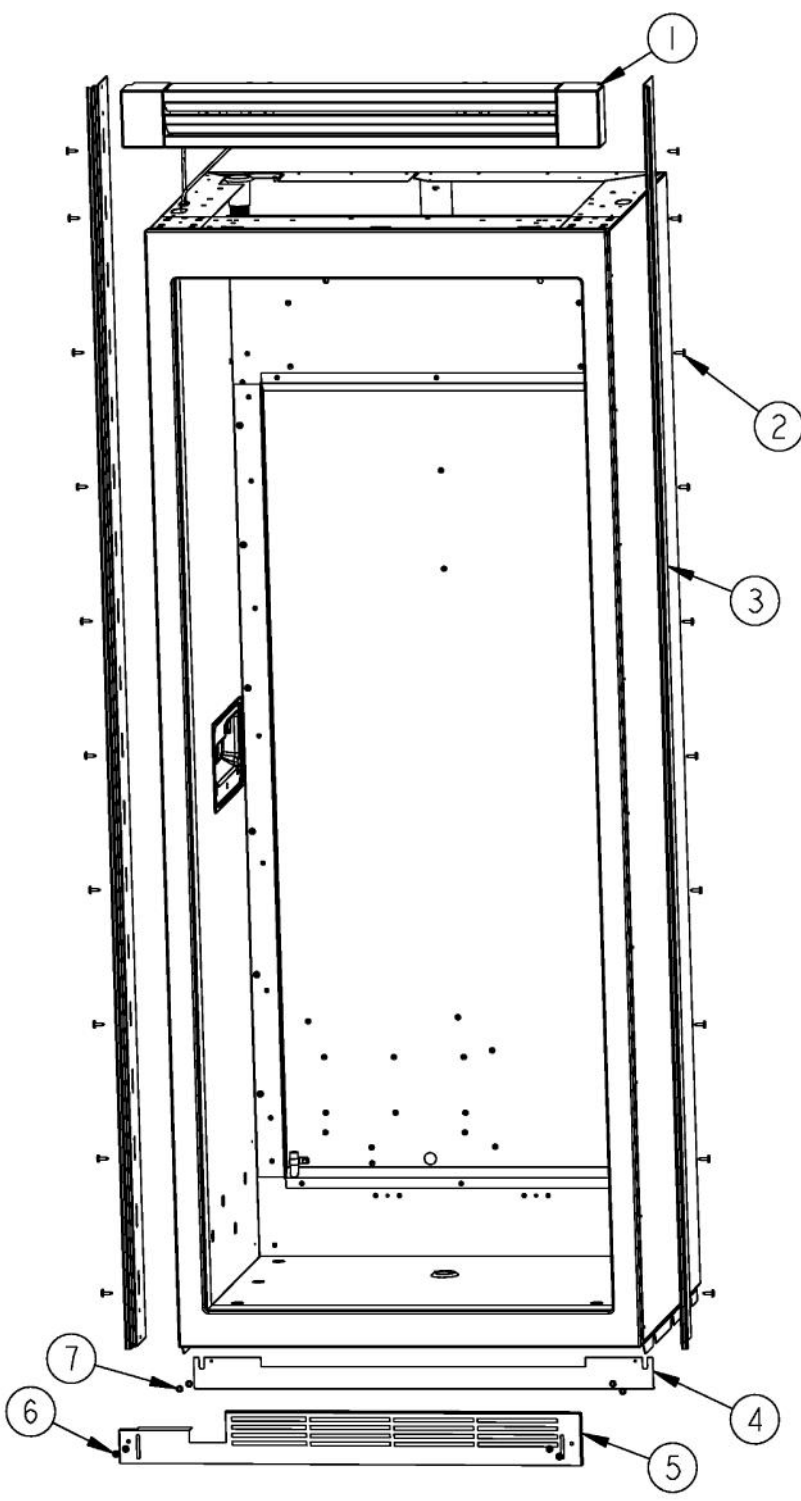
| Ref # | Part Number | Qty. | Description |
|-------|--------------|------|---|
| | 003628-024AR | | DOOR SKIN - LEFT HINGE (AR) (AFTER 01/01/08) |
| | 003628-016CH | | DOOR SKIN - LEFT HINGE (CH) (AFTER 01/01/08) |
| | 003628-018CW | | DOOR SKIN - LEFT HINGE (CW) (AFTER 01/01/08) |
| | 003628-020GM | | DOOR SKIN - LEFT HINGE (GM) (AFTER 01/01/08) |
| | 003628-023IB | | DOOR SKIN - LEFT HINGE (IB) (AFTER 01/01/08) |
| | 003628-027MS | | DOOR SKIN - LEFT HINGE (MS) (AFTER 01/01/08) |
| | 003628-019OG | | DOOR SKIN - LEFT HINGE (OG) (AFTER 01/01/08) |
| | 003628-015PL | | DOOR SKIN - LEFT HINGE (PL) (AFTER 01/01/08) |
| | 003628-026PM | | DOOR SKIN - LEFT HINGE (PM) (AFTER 01/01/08) |
| | 003628-025RR | | DOOR SKIN - LEFT HINGE (RR) (AFTER 01/01/08) |
| | 003628-021SA | | DOOR SKIN - LEFT HINGE (SA) (AFTER 01/01/08) |
| | 003628-022SE | | DOOR SKIN - LEFT HINGE (SE) (AFTER 01/01/08) |
| | 003628-017TP | | DOOR SKIN - LEFT HINGE (TP) (AFTER 01/01/08) |
| 3 | PD940087 | | SPACER DOOR SKIN-HINGE SIDE (75.1) (LH MODELS) |
| | PE940176 | | TRIM - DOOR SXS PRO SIDES (RH MODELS) |
| 4 | PE940176 | | TRIM - DOOR SXS PRO SIDES (LH MODELS) |
| | PD940087 | | SPACER DOOR SKIN-HINGE SIDE (75.1) (RH MODELS) |
| 5 | PM910068 | | FOAM, DOOR SKIN (SXS) |
| 6 | M0204303 | | SCREW-MACH |
| 7 | K2097526 | | BRACKET - HANDLE SUPPORT |
| 8 | PK030556 | | TRIM DOOR BULLNOSE 30 TOP/BOT |
| 9 | PE930101 | | VCSB482 HANDLE -(12466403) |
| | PE030012PVD | | DOOR HANDLE - RH - (30/48) PVD |
| 10 | 000268-000 | | HANDLE END CAP ASSY |
| | PE030001PVD | | END CAP DOOR HANDLE XBR |
| 11 | PD030006 | | CAPPED WASHER PAL NUT |
| 12 | PE010030 | | LOGO, 6, PRO, BK |
| | PE010068 | | LOGO, 6, PRO, BK/BR |
| | PE010031 | | LOGO 6 (VGRC) XBK/WHX |
| | PE010076 | | LOGO 6 (VGRC) XBR/WHX |



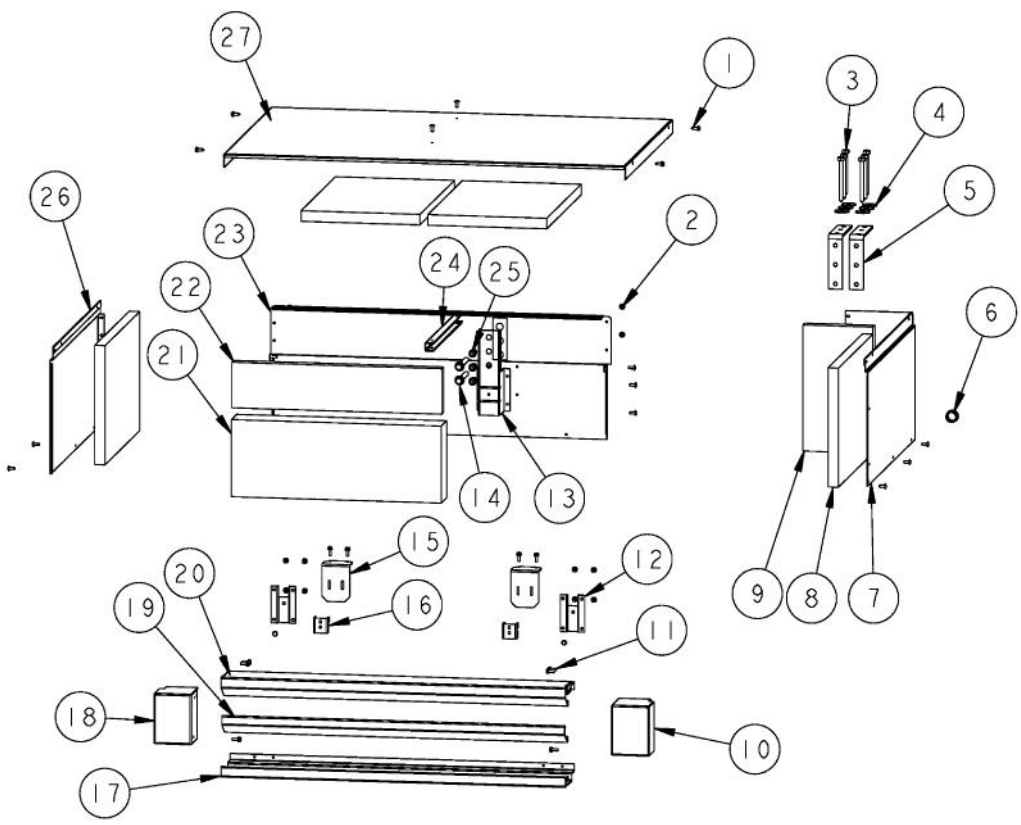
| Ref # | Part Number | Qty. | Description |
|-------|-------------|------|-----------------------------------|
| 1 | A3030361 | | GASKET, RED |
| 2 | K20910060 | | BRACKET - PC |
| 3 | M0288120 | | NUT-SPEED, VM0288120 |
| 4 | K20915000 | | CONTROL BOX TOP |
| 5 | PF930487 | | TECH LITERATURE LABEL - 2 |
| 6 | M0585504 | | SUPPORT |
| 7 | PC040010 | | POP RIVET |
| 8 | K2099402 | | CONTROL BOX |
| 9 | PE970463 | | POWER CONTROL BOARD |
| 10 | A4554817 | | BUSHING-SNAP VA4554817 |
| 11 | PM910325 | | FILM PROTECTIVE |
| 12 | M0104106 | | CLIP-CORD VM0104106 |
| 13 | PD020013 | | TYPE AB NO.6 X 3/8 PH PAN HD. SMS |
| 14 | M0585506 | | SUPPORT |
| 15 | PE070728 | | BOARD LOW VOLTAGE |
| 16 | K20910061 | | CONTROL BOX FRONT |
| 17 | 12064001 | | SUPP-CONT PANEL |
| 18 | K2098654 | | BRACKET SWITCH POWER |
| 19 | PE950149 | | SWITCH POWER |
| 20 | M0238846 | | SCREW-SHLDR |
| 21 | PE950182 | | OVERLAY SWITCH AF 30 |
| 22 | PK930220 | | PANEL COVER CONTROL |
| | PK930332 | | PANEL CONTROL AF 30 R |
| 23 | M0224128 | | SCREW-SM |
| 24 | PD020194 | | SCREW-SM |
| 25 | PC040010 | | POP RIVET |
| 26 | PF930672 | | LABEL DC COMPRESSOR |



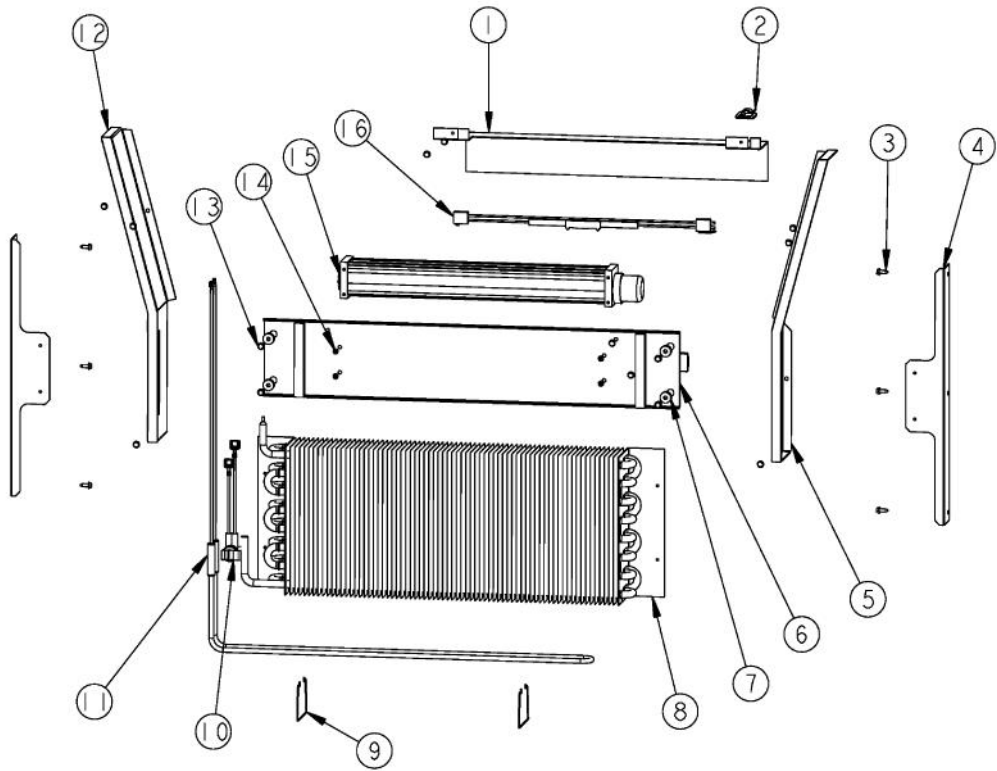
| Ref # | Part Number | Qty. | Description |
|-------|-------------|------|---|
| 1 | K20912569 | | BRACKET GRILLE SUPPORT |
| 2 | PD020010 | | 10 X 3/8 GREEN GROUNDING SCREW |
| 3 | M0104106 | | CLIP-CORD VM0104106 |
| 4 | PC920204 | | HINGE ASM UL |
| | PC920203 | | HINGE ASM UR |
| 5 | 000570-000 | | HEX SCREW |
| 6 | 10743201 | | DRIER, HI SIDE |
| 7 | F2097740 | | TUBE PROCESS |
| 8 | F2096669 | | TUBE-DRIER COND |
| 9 | 10547001 | | CLIP-DRIER V10547001 |
| 10 | PD020195 | | SCR 8-18 X 5/8 |
| 11 | G5096494 | | COND. FAN ASSY |
| 12 | F2096507 | | TUBE-PROCESS GRN |
| 13 | G5097976 | | COMPRESSOR ASSEMBLY (363 AND 483) (INCLUDES DRIER) |
| 14 | F20910729 | | TUBE DISCHARGE FORMED AF AR 36 |
| 15 | M0221523 | | SCREW - SHLDR |
| 16 | PE970608 | | POWER SUPPLY 24 VDC 15 W |
| 17 | M0104102 | | CLIP-CORD RED |
| 18 | 10835901 | | GROMMET RUBBER V10835901 |
| 19 | 002573-000 | | CLAMP CORD |
| 20 | PB920171 | | CONDENSER ASM |
| 21 | G50915958 | | ASM AR SABBATH MODE RELAY |
| 22 | M0327801 | | SPLICE TAP |
| 23 | PE070849 | | INVERTER |
| 24 | PD020194 | | SCREW-SM |



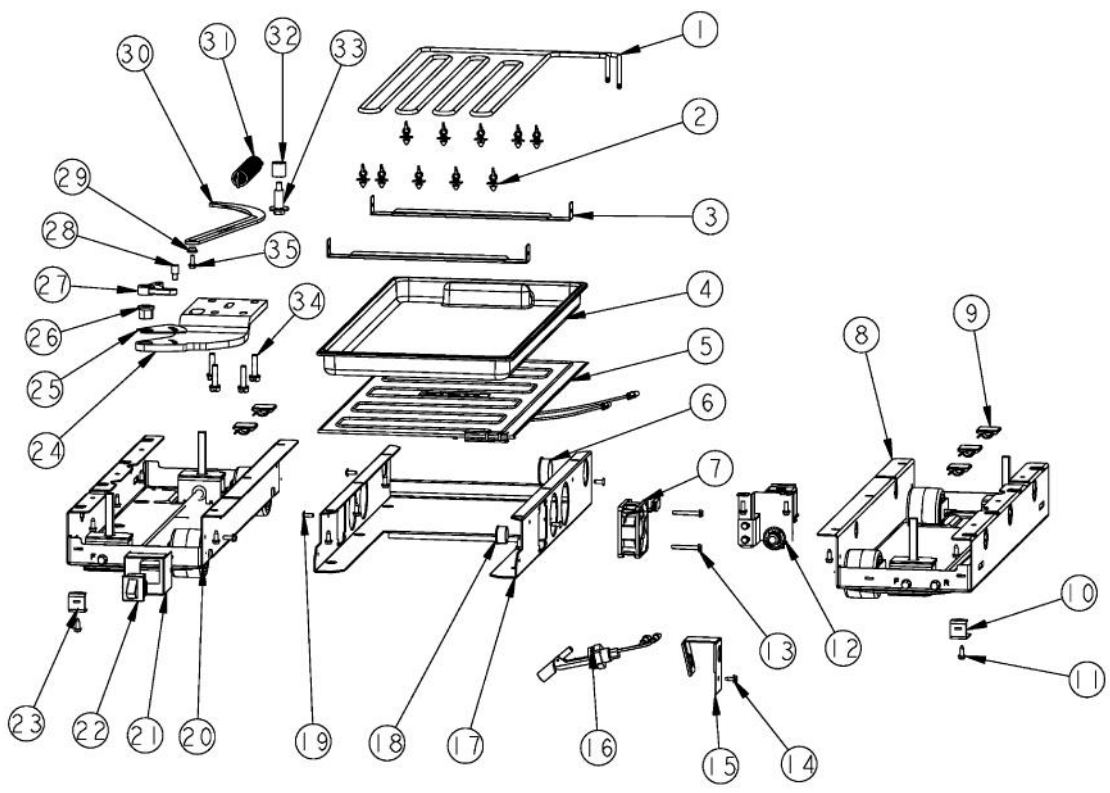
| Ref # | Part Number | Qty. | Description |
|-------|----------------------------|------|---|
| 1 | 002877-000 002841-000 | | COMPLETE GRILLE ASSEMBLY - LEFT HINGE GRILLE,ASM,AR AF 30 PROI R (FOR BREAKDOWN SEE PAGE 011) |
| 2 | M0215318 | | SCREW-SM |
| 3 | PK920066 | | SIDE TRIM |
| 4 | 000206-002 | | KICKPLATE, LWR |
| 5 | C90910725BK C90910758BK | | VENTED TOE GRILLE (LEFT HINGE) GRILLE TOE VENTED 30 R XBKX |
| 6 | M0210443 | | SCREW-E SM |
| 7 | 40370P01 | | NYLON FLAT WASHER V40370P01 |
| NI | G50915030 | | GRILLE TOE ASM AF AR 30 L (CONTAINS ITEMS NO. 4 - NO. 7) |
| | G50915029 | | GRILLE TOE ASM AF AR 30 R (CONTAINS ITEMS NO. 4 - NO. 7) |



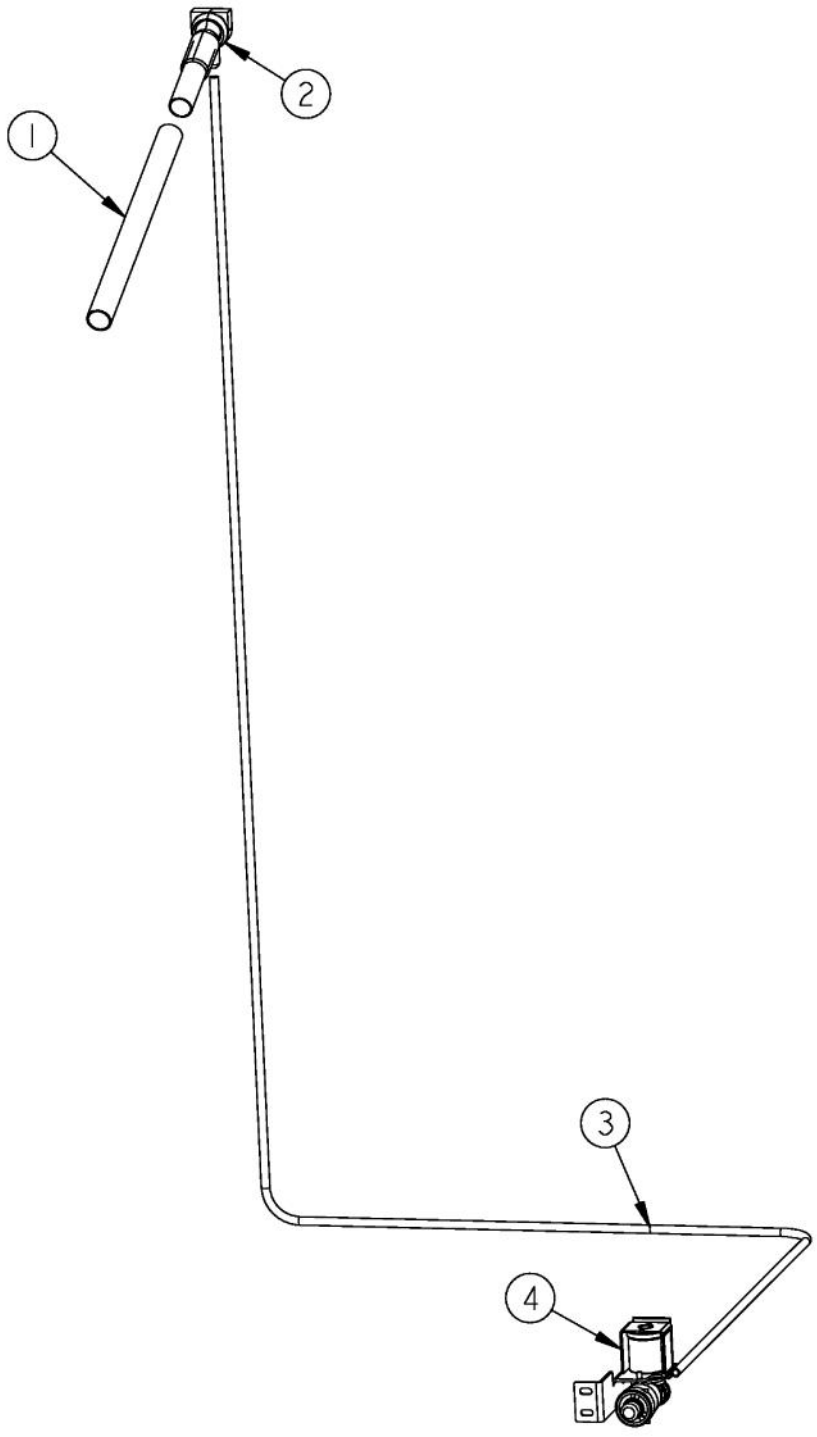
| Ref # | Part Number | Qty. | Description |
|-------|-------------|------|---|
| 1 | PD020194 | | SCREW-SM |
| 2 | PC040010 | | POP RIVET |
| 3 | M0223509 | | SCREW-LAG |
| 4 | M0270510 | | WASHER |
| 5 | PK910089 | | BRACKET, ANTI - TIP |
| 6 | A4554806 | | BUSHING-SNAP VA4554806 |
| 7 | K2099459 | | MC SIDE R |
| 8 | PB070355 | | INSULATION MC COVER |
| 9 | PB970171 | | MC INSULATION - BACK SIDE |
| 10 | B20916338 | | ENDCAP GRILLE PROI L |
| | B20916336 | | ENDCAP GRILLE PROI N |
| 11 | M0220417 | | SCREW-TC |
| 12 | PK050004 | | BRACKET GRILLE |
| 13 | K20915675 | | BRACKET PSM |
| 14 | PD020233 | | SCR LAG 5/16-9 GX 5/16X7/16 WAF IHXW 3 S ZN |
| 15 | K20916342 | | BRACKET GRILLE |
| 16 | B2096961 | | BRACKET-LOUVER |
| 17 | 002840-000 | | LOUVER,GRL,LWR,30 PROI |
| 18 | B20916336 | | ENDCAP GRILLE PROI N |
| | B20916337 | | ENDCAP GRILLE PROI R |
| 19 | 002839-000 | | LOUVER,GRL,MDL,30 PROI |
| 20 | 002838-000 | | LOUVER,GRL, TOP,30 PROI |
| 21 | PB070357 | | INSULATION MC COVER |
| 22 | PB070356 | | INSULATION MC COVER |
| 23 | K2099932 | | MC BACK 30 |
| 24 | K2099455 | | SUPPORT MC Z |
| 25 | PD040157 | | BEARING SLEEVE |
| 26 | K2099460 | | MC SIDE L |
| 27 | K2099930 | | MC TOP 30 |



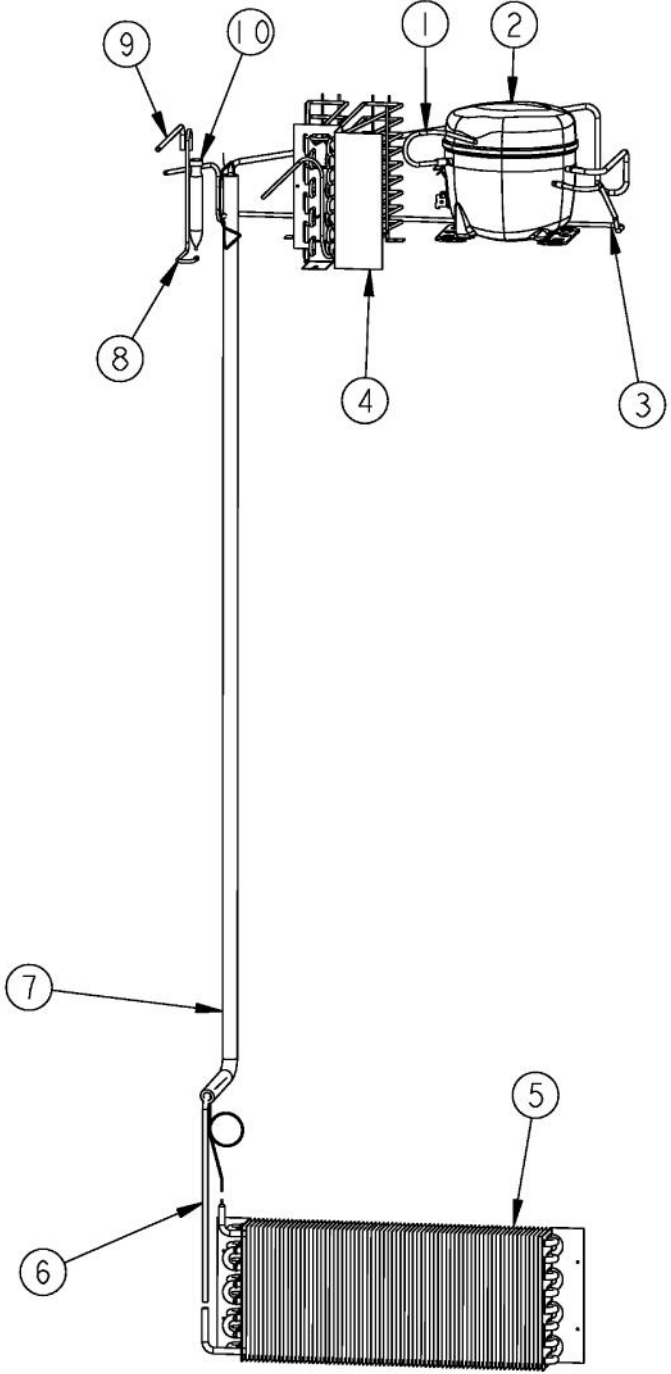
| Ref # | Part Number | Qty. | Description |
|-------|-------------|------|-------------------------------|
| 1 | K20912562 | | COVER FAN EVAP AF 30 |
| 2 | M0104106 | | CLIP-CORD VM0104106 |
| 3 | PD020194 | | SCREW-SM |
| 4 | K20912558 | | BRACKET EVAP COVER |
| 5 | K20912598 | | DIVERTER AIR AF 30 R |
| 6 | K20912559 | | BRKT FAN EVAP AF 30 |
| 7 | 12234001 | | GROMMET-VIBRATION |
| 8 | PM910456 | | EVAPORATOR AF 30 |
| 9 | PM910468 | | CLIP EVAP HTR 36 30 AF |
| 10 | PB910259 | | THERMOSTAT DEFROST TERMINATOR |
| 11 | PJ910038 | | DEFROST HEATER AF 30 |
| 12 | K20912597 | | DIVERTER AIR AF 30 L |
| 13 | M0238859 | | SCREW-SHLDR |
| 14 | M02172046 | | SCREW, SM |
| 15 | PE950154 | | FAN EVAP HORIZ AF AR 30 |
| 16 | PE970641 | | JUMPER FAN RESISTOR |



| Ref # | Part Number | Qty. | Description |
|-------|-------------|------|---------------------------------|
| 1 | F2099927 | | SERPENTINE AF AR 30 |
| 2 | PD030146 | | STAND OFF LOCK CLIP |
| 3 | K20911832 | | BRACKET CONDENSATE SUPPORT |
| 4 | PK930347 | | PAN-DRAIN AF AR 30 |
| 5 | G50915603 | | PAN HEATER ASM AF/AR 30 |
| 6 | A4554817 | | BUSHING-SNAP VA4554817 |
| 7 | 000731-000 | | AXIAL FAN |
| 8 | PM910398 | | LEVELER ASSEMBLY - R |
| 9 | M0104106 | | CLIP-CORD VM0104106 |
| 10 | K2098044 | | BRKT GRILLE SUPPORT |
| 11 | PD020194 | | SCREW-SM |
| 12 | G32913789 | | BRKT & VALVE H20 SNGL ASM |
| 13 | PD020274 | | SCR SLTD HEX WSHR HD 8X1.250 BT |
| 14 | M0253916 | | SCREW-TF |
| 15 | B20915627 | | BRACKET HORIZ FLOAT SWITCH |
| 16 | PE050248 | | FLOAT SWITCH HORIZONTAL |
| 17 | K20915953 | | SHIELD BOTTOM DRAIN |
| 18 | A4554806 | | BUSHING-SNAP VA4554806 |
| 19 | PC040010 | | POP RIVET |
| 20 | PM910399 | | LEVELER MODULE L |
| 21 | 002668-000 | | SWITCH,GRILLE,MT,LH |
| | 002667-000 | | SWITCH,GRILLE,MT,RH |
| 22 | PE950147 | | SWITCH SPST NC BLACK |
| 23 | K2098096 | | BRKT GRILLE SUPPORT |
| 24 | PC020289 | | HINGE PLATE LL |
| | PC020288 | | HINGE PLATE LR |
| 25 | PC920144 | | PLATE - WC DOOR SHIM |
| 26 | PD940090 | | BUSHING - WC DOOR LEVEL |
| 27 | PD940091 | | BUSHING - DOOR STOP |
| 28 | PC920145 | | PIN - DOOR STOP |
| 29 | PD940094 | | BUSHING |
| 30 | PC920149 | | BAR-WC BOT HINGE LH |
| | PC920166 | | BAR-WC BOT HINGE RH |
| 31 | PC910015 | | SPRING EXTENSION |
| 32 | PD940107 | | ROUND SPRING SPACER |
| 33 | M0221523 | | SCREW - SHLDR |
| 34 | 000570-000 | | HEX SCREW |
| 35 | M0220417 | | SCREW-TC |



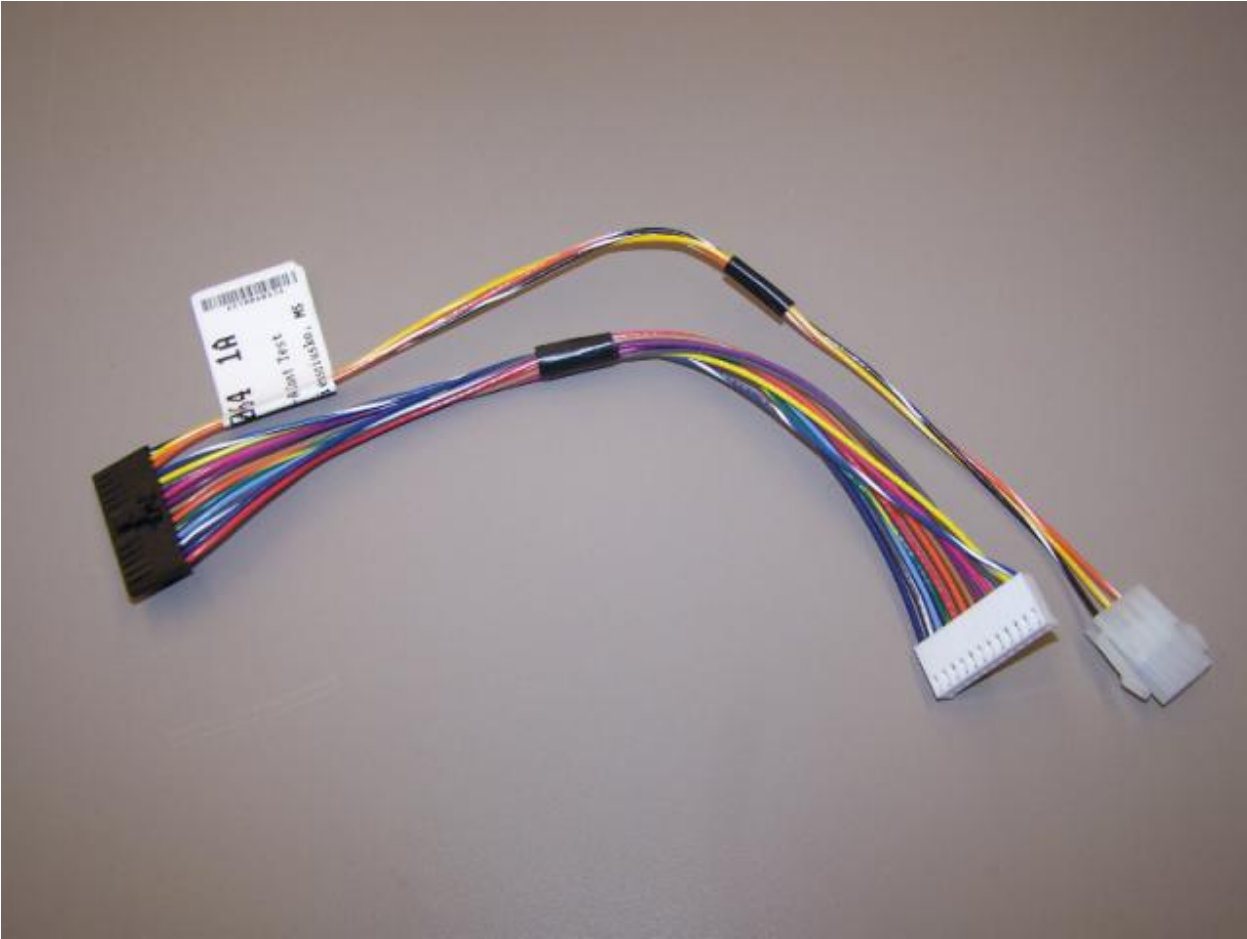
| Ref # | Part Number | Qty. | Description |
|-------|-------------|------|---|
| 1 | A3127415 | | EXT-FILL TUBE |
| 2 | G5096419 | | FILL TUBE ASSY 10942511 |
| 3 | PB020304 | | PLASTIC TUBING-IM WATERLINE NON DISP (SXS & AF) |
| 4 | PA970012 | | SINGLE WATER VALVE |



| Ref # | Part Number | Qty. | Description |
|-------|-------------|------|---|
| 1 | F2096507 | | TUBE-PROCESS GRN |
| 2 | G5097976 | | COMPRESSOR ASSEMBLY (363 AND 483) (INCLUDES DRIER) |
| 3 | F20910729 | | TUBE DISCHARGE FORMED AF AR 36 |
| 4 | PB920171 | | CONDENSER ASM |
| 5 | G50912322 | | EVAP ASM AF 30 |
| 6 | F20911307 | | TUBE FORMED HT EXCH AF 30 |
| 7 | PB970187 | | INSULATION TUBING 57.500 |
| 8 | F2096669 | | TUBE-DRIER COND |
| 9 | F2097740 | | TUBE PROCESS |
| 10 | 10743201 | | DRIER, HI SIDE |

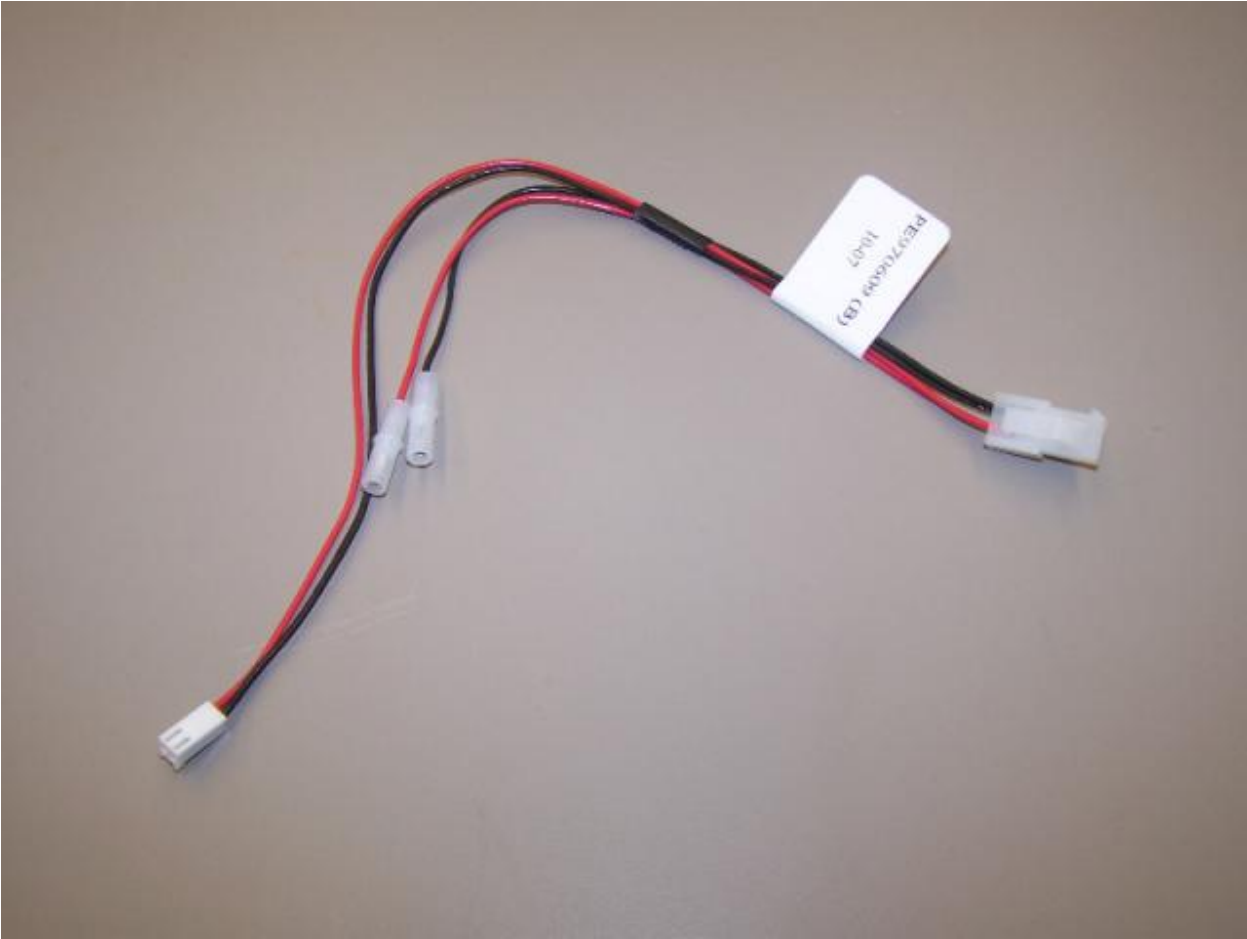
*No Image
Available*

| Ref # | Part Number | Qty. | Description |
|-------|-------------|------|-------------------------|
| NI | PE970570 | | HARNESS MACH COMP AF 30 |



| Ref # | Part Number | Qty. | Description |
|-------|-------------|------|------------------|
| NI | PE970464 | | HARNESS LOW VOLT |

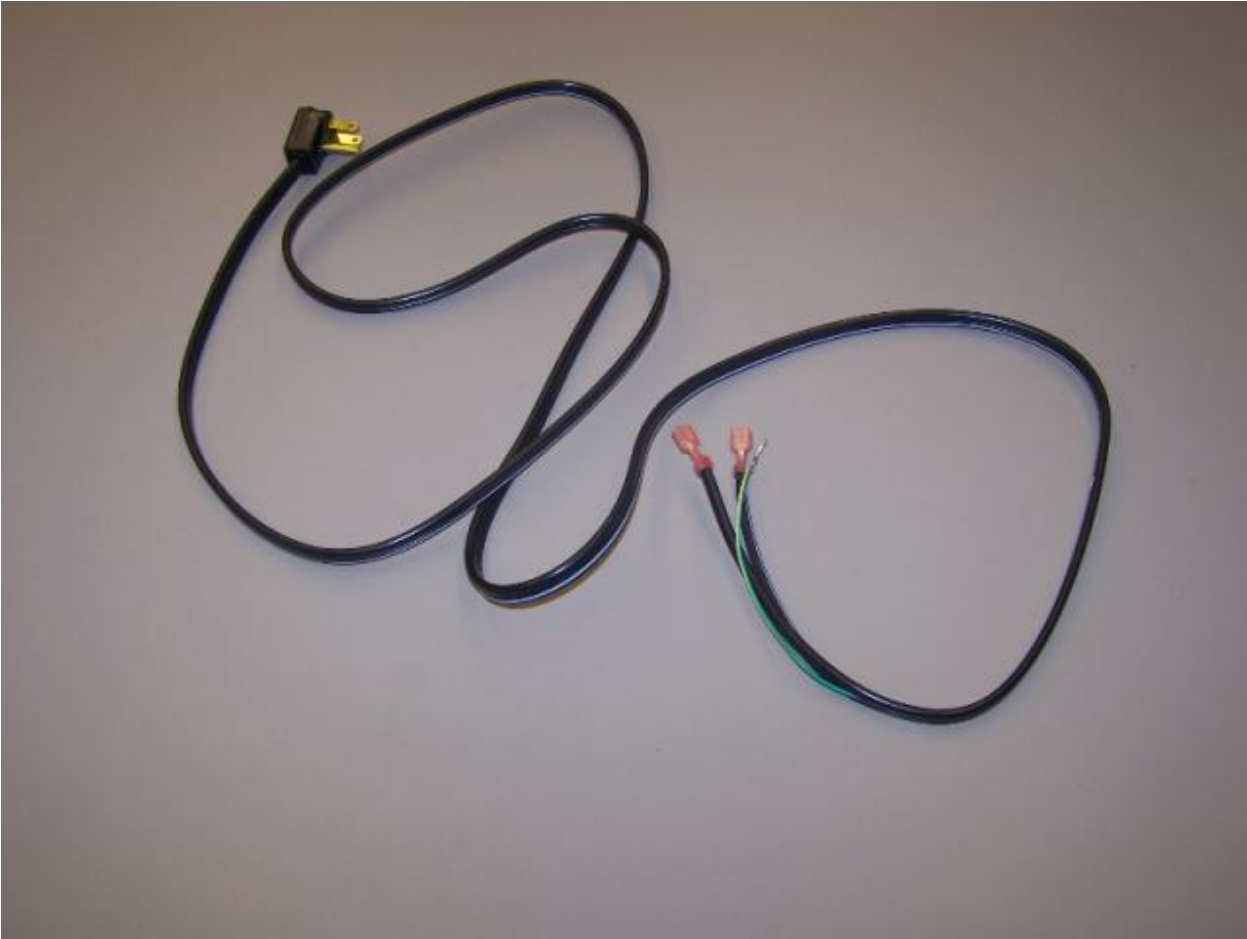
| Ref # | Part Number | Qty. | Description |
|-------|-------------|------|-------------------|
| NI | PE070785 | | HARNESS HIGH VOLT |



| Ref # | Part Number | Qty. | Description |
|-------|-------------|------|-----------------------|
| NI | PE970609 | | HARNESS CONTROL BOARD |

*No Image
Available*

| Ref # | Part Number | Qty. | Description |
|-------|-------------|------|---------------------|
| NI | PE970641 | | JUMPER FAN RESISTOR |



| Ref # | Part Number | Qty. | Description |
|-------|-------------|------|------------------|
| NI | 10916507 | | TUBE-PROCESS GRN |