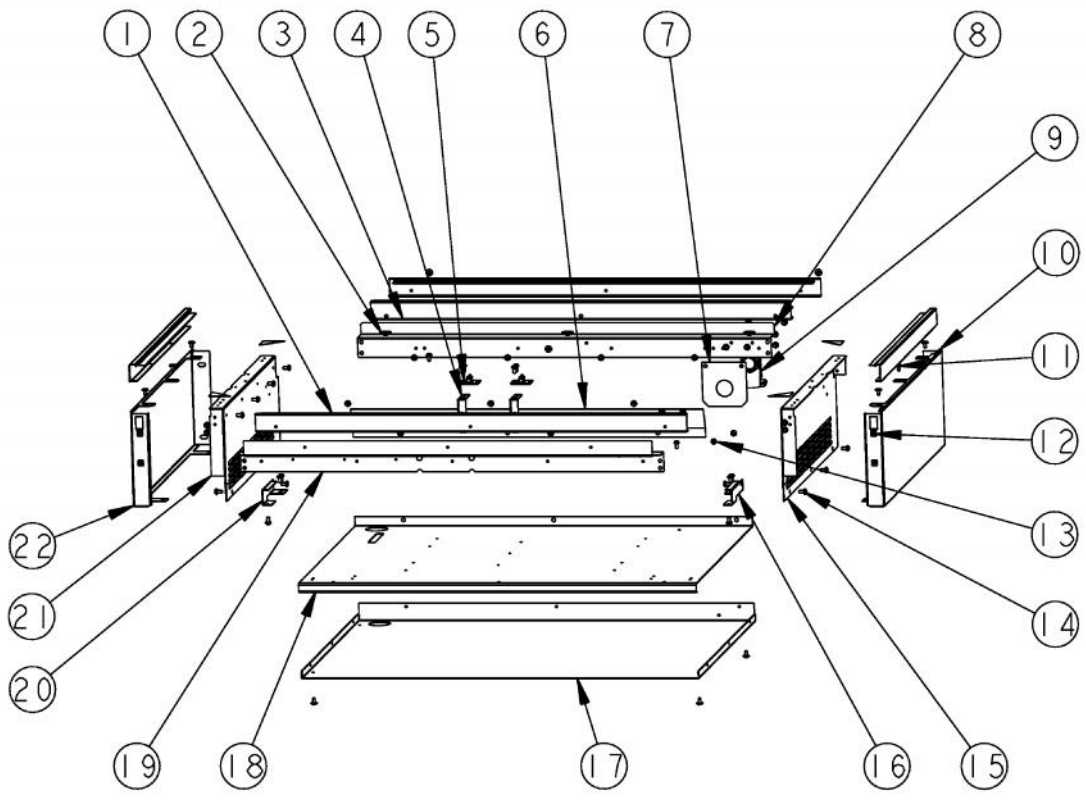
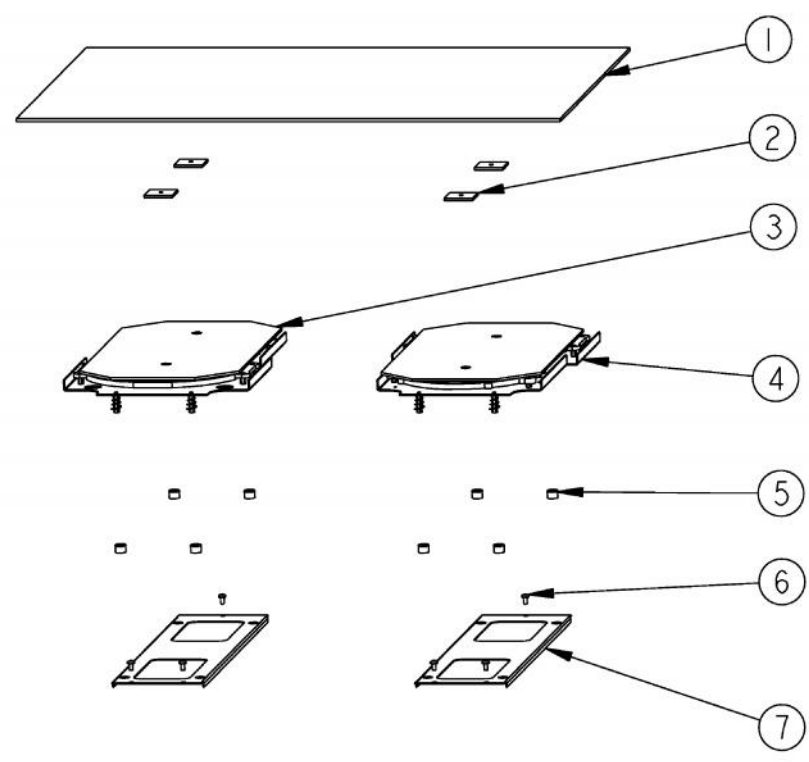


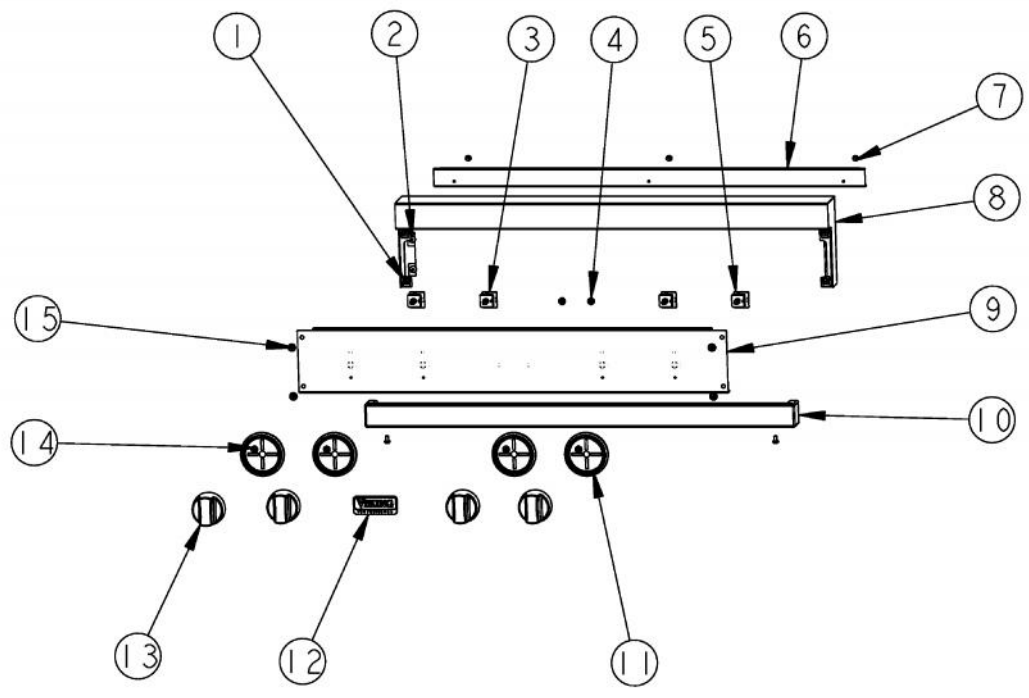
Ref #	Part Number	Qty.	Description
1	PD020014	36	10X3/4 PH TR HD SMS
2	PE070681	1	LEFT & MIDDLE SECTION POWER BOARD
3	PE070596	1	ALL INDUCTION POWER BOARD
4	PD030177	7	6-32 KEPS NUT ZN
5	PD030033	34	GROMMET NUT-ROUND HD. NO.8 X .500DIA.
6	PD020067	8	NO.6 X 3/8 PAN PHIL. TEK SS
7	A20014520	1	POWER BOARD COVER
8	PE070147	1	TERMINAL BLOCK
9	A20014500	1	POWER BOARD BRACKET
10	PE070627	1	VICU EMI FILTER
11	PB070320	1	SILICONE EXTRUSION
12	PD040005	2	SNAP BUSHING - 7/8
13	A20014511	1	COMPONENT SHELF
14	PD020260	16	6-32 X 1/4 PAN PHIL INTERNAL SEMS ZN
15	PD040165	7	1/4 HEX X 6-32 THREAD MALE TO FEMALE
16	PE070597	2	ALL INDUCTION EMI BOARD
17	PE070635	2	VICU COOLING FAN
18	A20014512	2	FAN BRACKET
19	PD020004	11	10X3/8PH.HD.TYPE 25 REPL PD040125



Ref #	Part Number	Qty.	Description
1	G50014548	1	30 CERAMIC TOP ASSEMBLY (INDUCTION) (BK)
2	PD020151	3	SHOULDER SCREW
3	B2002763	1	REAR FRAME TRIM (VERT)
4	A20014514	2	LED BRACKET
5	PE070519	2	INDUCTION LED ASSEMBLY
6	A20014515	1	REAR DIVERTER
7	A10014521	1	VIRT CONDUIT BRACKET
8	A20014507	1	VIRT REAR SUPPORT
9	PB040259	1	90 DEG. 3/4 CONDUIT FITTING
10	B20014522	1	SIDE PANEL - RH
11	PD020032	13	SRW-8(A)X3/8PH.WFR HD 7/16DIAXNICL
12	PD030005	4	SELF RETAINING NUT
13	PD020010	2	10 X 3/8 GREEN GROUNDING SCREW
14	PD020004	55	10X3/8PH.HD.TYPE 25 REPL PD040125
15	A20014503	1	BURNER BOX SIDE R.H.
16	A20011467	1	FALSE DRIP TRAY HANDLE BRKT. RH
17	A20014518	1	BURNER BOX BOTTOM
18	A20014519	1	INSULATION PANEL
19	A20014504	1	VIRT FRONT SUPPORT
20	A20011466	1	FALSE DRIP TRAY HANDLE BRKT. LH
21	A20014502	1	BURNER BOX SIDE L.H.
22	B20014523	1	SIDE PANEL - LH



Ref #	Part Number	Qty.	Description
1	G50014548	1	30 CERAMIC TOP ASSEMBLY (INDUCTION) (BK)
2	PE070761	4	INDUCTION THERMAL LIMITER
3	PE070689	1	ALL INDUCTION COIL TRAY ASSEMBLY
4	PE070688	1	ALL INDUCTION COIL TRAY ASSEMBLY
5	PD040021	8	1/2 BUSHING (VGRC)
6	PD020004	6	10X3/8PH.HD.TYPE 25 REPL PD040125
7	A20014510	2	COIL BRACE



Ref #	Part Number	Qty.	Description
1	PD030005	4	SELF RETAINING NUT
2	PD010003	4	10-24 X 1/2 PH.TR.HD.SERD.M.S.
3	PE070683	2	POT ASSY- WHITE 33 (12-4500)
4	PD030006	2	CAPPED WASHER PAL NUT
5	PE070364	2	POT ASSY - GRAY 28.5 (12-4200)
6	B2007435	1	CERAMIC TOP FRAME FRONT/BACK
7	PD020004	5	10X3/8PH.HD.TYPE 25 REPL PD040125
8	G3006766	1	SEALED LANDING LEDGE ASSY
9	B92014517	1	VIRT INDUCTION CONTROL PANEL
10	B30011468	1	FALSE DRIP TRAY HANLDE (WELDED) - 30
11	PB010304	4	KNOB BEZEL
12	PE010142	1	3 LOGO XBKXXCHROME
13	PA010218	4	INDUCTION RANGE/RANGETOP KNOB (BK)
14	PD020046	4	NO.8 X 1/2 SCREWS
15	PD020033	4	SRW-NO.10-24X1/2T(23)PH.WFR HD (NKL)