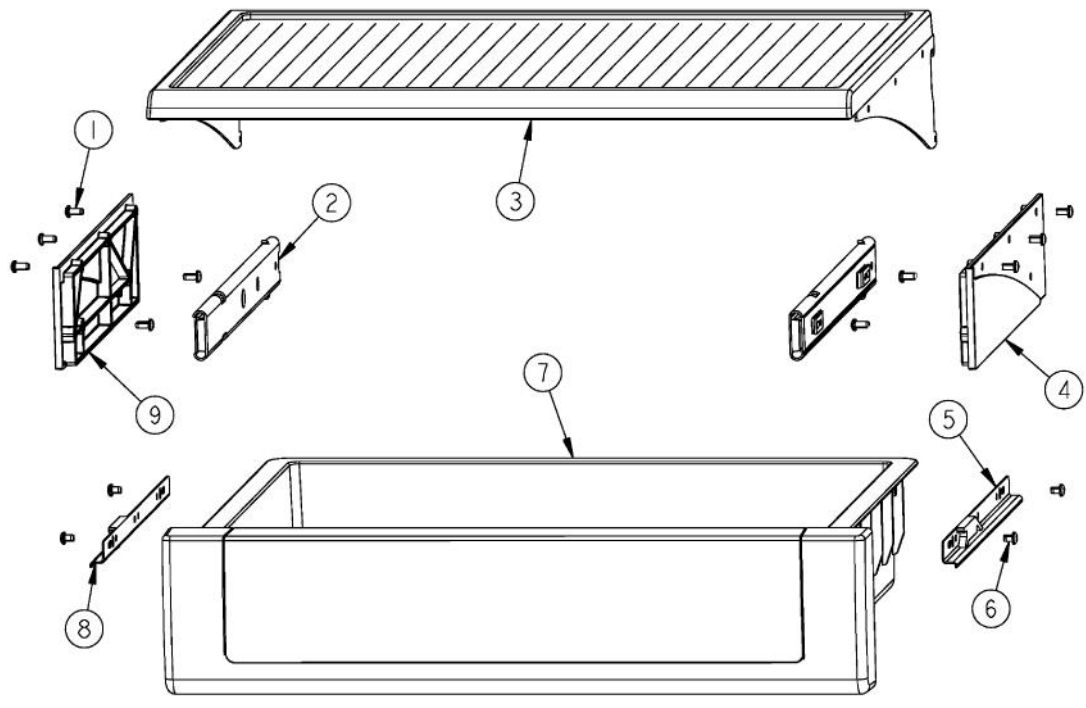
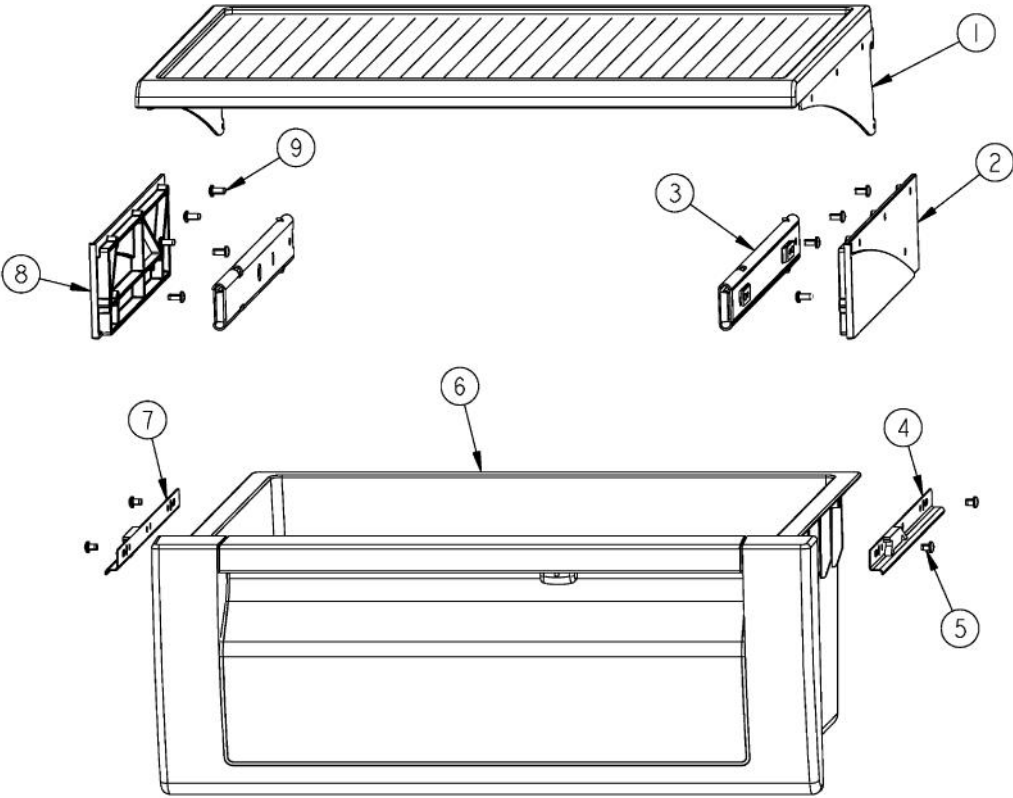


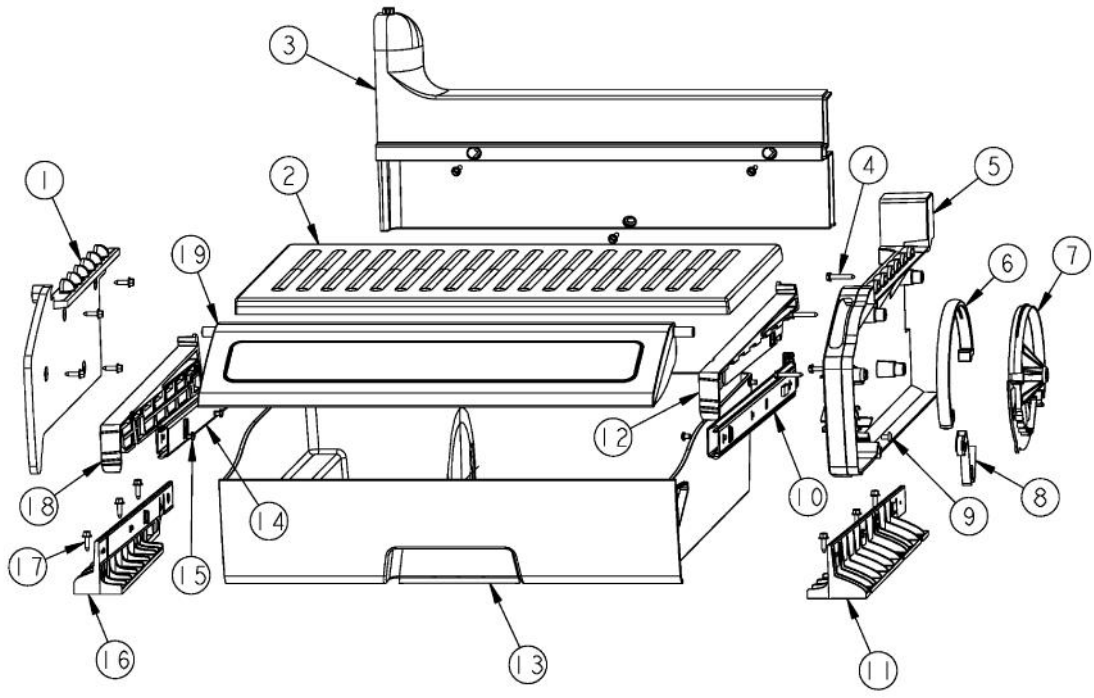
Ref #	Part Number	Qty.	Description
1	PM910350		SHELF ASM GLASS SXS 42 FF
2	DELI DRAWER		SEE PAGE 002 FOR BREAKDOWN
3	PRODUCE DRAWER		FOR BREAKDOWN SEE PAGE 002
4	Conv.MeatSaverDra.		SEE PAGE 004 FOR BREAKDOWN



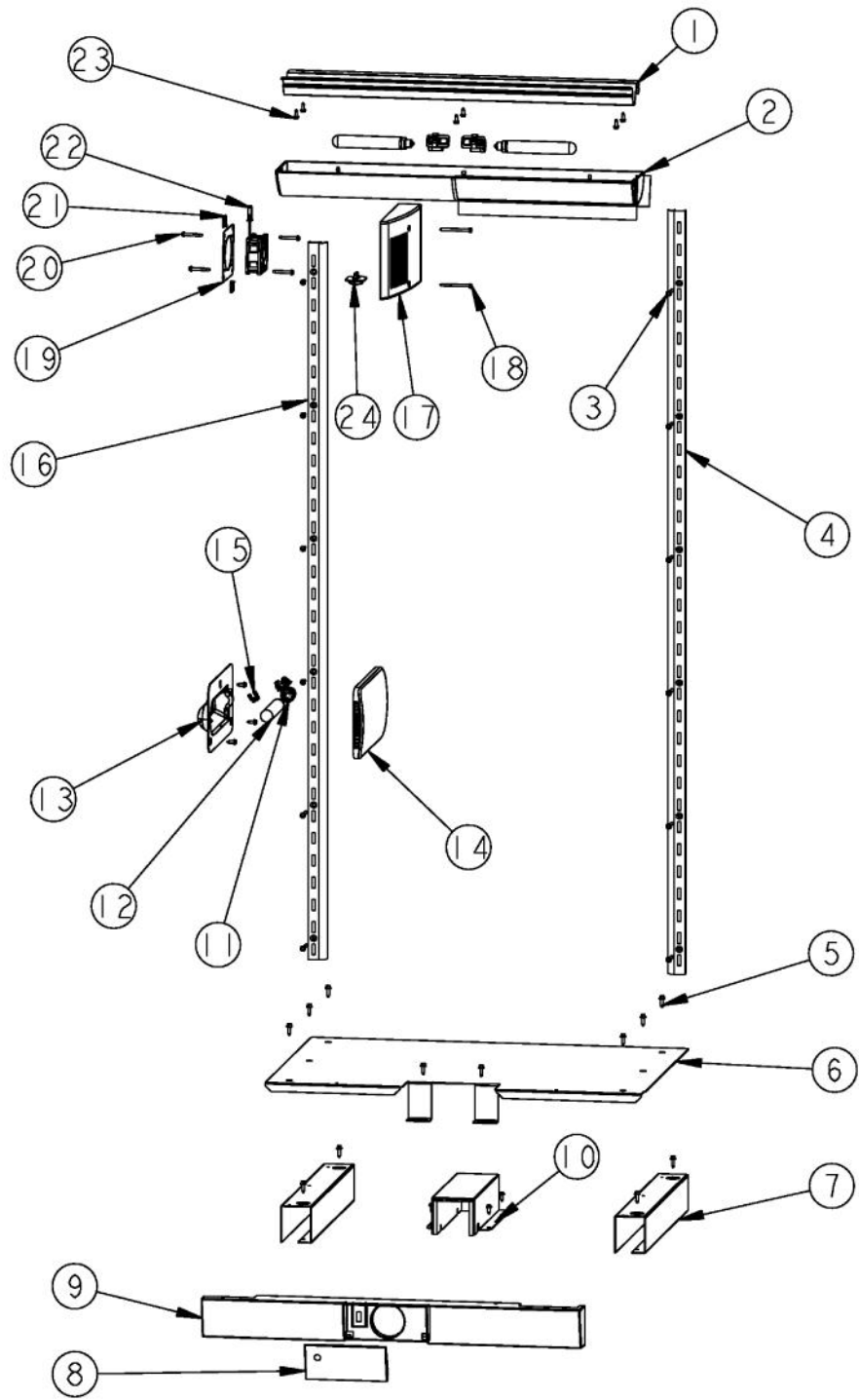
Ref #	Part Number	Qty.	Description
1	PD920161		SCR 8-16 PLASTITE PNP 3/8 S
2	PM910388		SLIDE DRAWER (R & L)
3	PM910350		SHELF ASM GLASS SXS 42 FF
4	PK930290		SUPPORT SLIDE R
5	PM910343		RAIL DRAWER R
6	PD920162		SCR 8-16 PLASTITE PNP 1/4 S
7	PK930121		DRAWER DELI ASM SXS 42
8	PM910342		RAIL DRAWER L
9	PK930291		SUPPORT SLIDE L



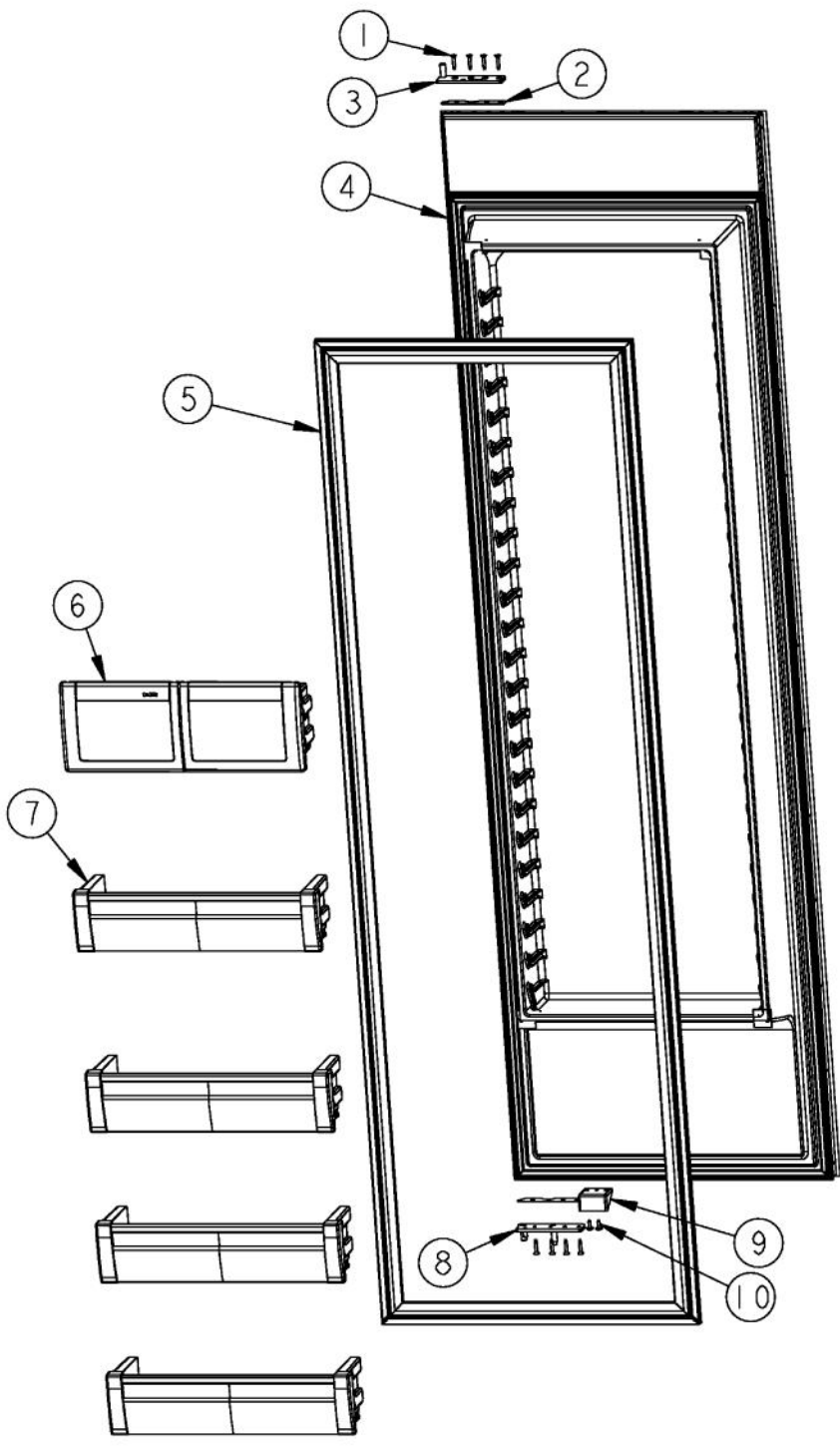
Ref #	Part Number	Qty.	Description
1	PM910350		SHELF ASM GLASS SXS 42 FF
2	PK930290		SUPPORT SLIDE R
3	PM910388		SLIDE DRAWER (R & L)
4	PM910343		RAIL DRAWER R
5	PD920162		SCR 8-16 PLASTITE PNP 1/4 S
6	009927-000		PRODUCE 42
7	PM910342		RAIL DRAWER L
8	PK930291		SUPPORT SLIDE L
9	PD920161		SCR 8-16 PLASTITE PNP 3/8 S



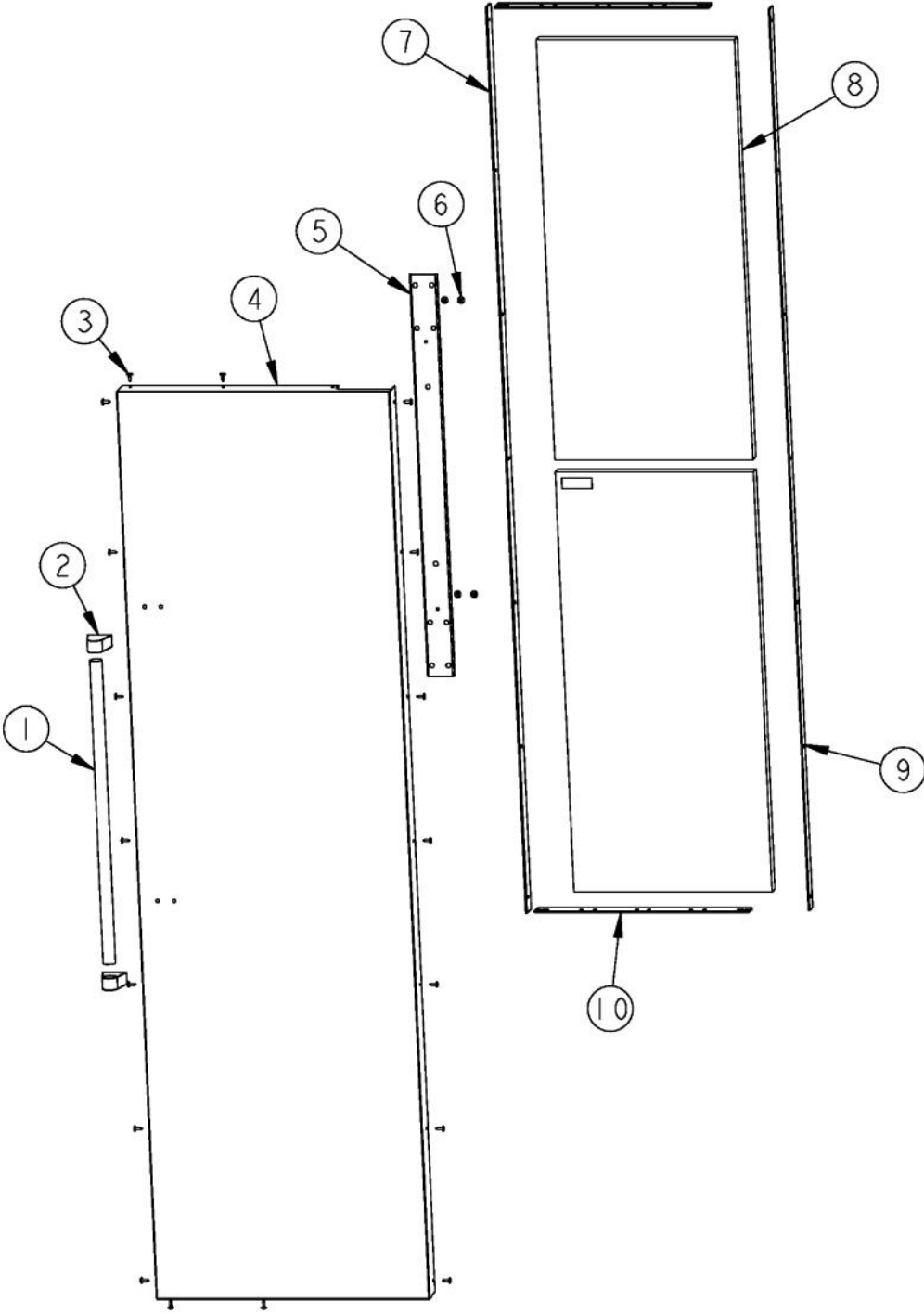
Ref #	Part Number	Qty.	Description
1	PK930170		DUCT MEAT SAVOR SXS 42 L
2	PK930120		SHELF MEAT SAVOR SXS 42
3	PK930171		DUCT MEAT SAVOR SXS 42 REAR
4	M0211021		SCREW-SM
5	PK930169		DUCT MEAT SAVOR SXS 42/48 R
6	PK930172		COVER CONTROL MEAT SAVOR
7	PK930168		DAIL CONTROL MEAT SAVOR
8	PM910334		ROLLER TENSION
9	M0224128		SCREW-SM
10	PM910287		SLIDE MEAT SAVOR R
11	PK930173		SUPPORT SLIDE MEAT SAVOR SXS 42/48 R
12	PK930175		SUPPORT DRAWER MEAT SAVOR SXS 42/48 R
13	PK930114		DRAWER MEAT SAVOR SXS 42
14	PM910288		SLIDE MEAT SAVOR L
15	PD920162		SCR 8-16 PLASTITE PNP 1/4 S
16	PK930174		SUPPORT SLIDE MEAT SAVOR SXS 42/48 L
17	PD020195		SCR 8-18 X 5/8
18	PK930176		SUPPORT DRAWER MEAT SAVOR 42/48 L
19	PK930119		DELI LID



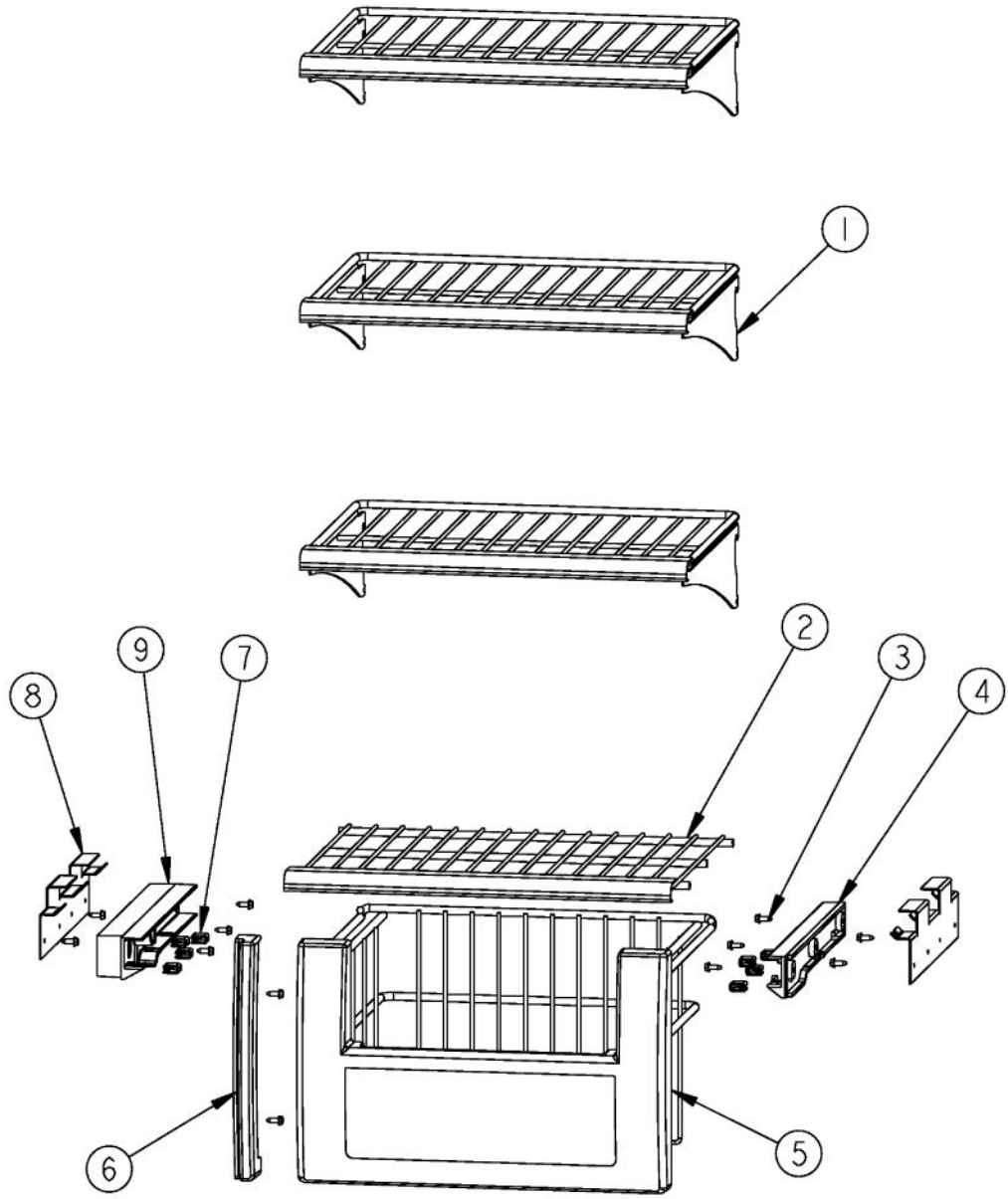
Ref #	Part Number	Qty.	Description
1	L2099474		BRACKET LIGHT SXS 42 FF
2	PK930115		COVER LIGHT ASM SXS 42 FF
3	M0238535		SCREW-SM
4	PM910227		LADDER RS REF
5	PD020195		SCR 8-18 X 5/8
6	L2099251		FLOOR FALSE 42 SXS DISP
7	K20913096		BRACKET FALSE FLOOR
8	PK930313		COVER WATER FILTER SXS DISP
9	PK930237		COVER FALSE FRONT 42 SXS DISP
10	G50913708		ASM COVER WATER FILTER
11	PE950125		LIGHT SOCKET
12	A3079001		LAMP - 40W
13	10270203		HOUSING-LIGHT V10270203
14	PK930346		COVER LIGHT
15	B5733302		CLIP-GROUND
16	PK020079		LADDER FF L SXS 42D/48D
17	PK930085		COVER FAN SXS 48 FF
18	M0221913		SCREW-SM
19	K2096475		PLATE-FAN MNT 12404701
20	PD020188		SCR 8-18 BT HXWS 1 1/2
21	M0288120		NUT-SPEED, VM0288120
22	000732-000		FRESH FOOD FAN - 1.2 W
23	PD020194		SCREW-SM
24	C8983701		THERMISTOR
NI	PM910332		ACCESSORY ASSY



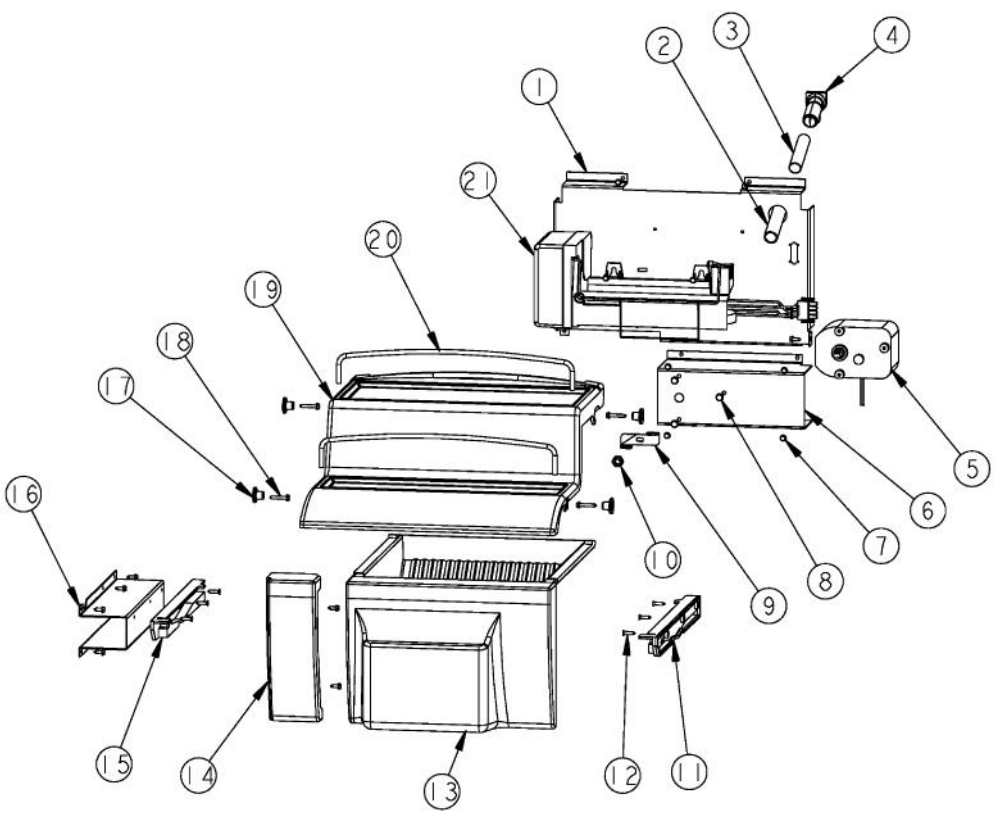
Ref #	Part Number	Qty.	Description
1	PD920174		10-32 TORX HEAD SCREW
2	PD040162		SPACER-DOOR HINGE
3	PC020278		PIVOT PL ASM RH UP PRO/DES
4	G32915037		DOOR ASM 42/42D FF (INCLUDES GASKET)
5	PB070329		DOOR GASKET
6	PK930123		DAIRY MODULE ASM SXS 42
7	G5098675		DOORBIN ASM SXS 42 FF
8	PC020276		PIVOT PL ASM RH LW PRO/DES
9	PD050019		STRIKER DOOR SWITCH
10	M0210458		SCREW-SM



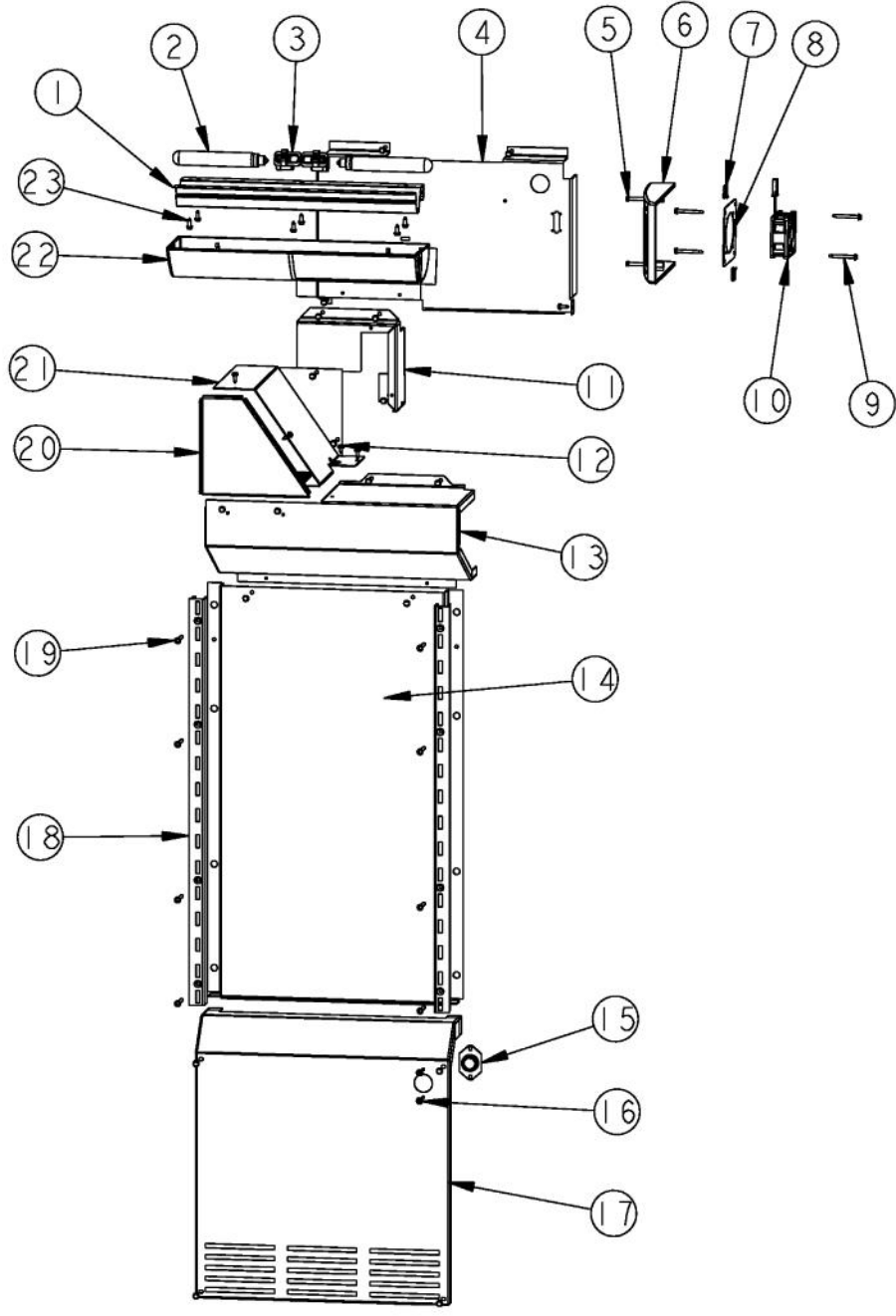
Ref #	Part Number	Qty.	Description
1	PE930101		VCSB482 HANDLE -(12466403)
	PE030012PVD		DOOR HANDLE - RH - (30/48) PVD
2	000268-000		HANDLE END CAP ASSY
	PE030001PVD		END CAP DOOR HANDLE XBR
3	M0210458		SCREW-SM
4	001874-000		SKIN,DOOR,SXS 42 FF PROI
4	002911-006		SKIN,DOOR,SXS 42 FF PROI WH
4	002911-007		SKIN,DOOR,SXS 42 FF PROI AL (BEFORE 01/01/08)
4	002911-003		SKIN,DOOR,SXS 42 FF PROI BT (BEFORE 01/01/08)
4	002911-014		SKIN,DOOR,SXS 42 FF PROI EP (BEFORE 01/01/08)
4	002911-011		SKIN,DOOR,SXS 42 FF PROI FG (BEFORE 01/01/08)
4	002911-002		SKIN,DOOR,SXS 42 FF PROI BK
4	002911-008		SKIN,DOOR,SXS 42 FF PROI BU
4	002911-013		SKIN,DOOR,SXS 42 FF PROI CB
4	002911-005		SKIN,DOOR,SXS 42 FF PROI GG
4	002911-009		SKIN,DOOR,SXS 42 FF PROI LE
4	002911--010		DOOR SKIN - (MJ)
4	002911-004		SKIN,DOOR,SXS 42 FF PROI SG
4	002911-012		SKIN,DOOR,SXS 42 FF PROI VB
4	002911-024		SKIN,DOOR,SXS 42 FF PROI AR (AFTER 01/01/08)
4	002911-016		SKIN,DOOR,SXS 42 FF PROI CH (AFTER 01/01/08)
4	002911-018		SKIN,DOOR,SXS 42 FF PROI CW (AFTER 01/01/08)
4	002911-020		SKIN,DOOR,SXS 42 FF PROI GM (AFTER 01/01/08)
4	002911-023		SKIN,DOOR,SXS 42 FF PROI IB (AFTER 01/01/08)
4	002911-027		SKIN,DOOR,SXS 42 FF PROI MS (AFTER 01/01/08)
4	002911-019		SKIN,DOOR,SXS 42 FF PROI OG (AFTER 01/01/08)
4	002911-015		SKIN,DOOR,SXS 42 FF PROI PL (AFTER 01/01/08)
4	002911-026		SKIN,DOOR,SXS 42 FF PROI PM (AFTER 01/01/08)
4	002911-025		SKIN,DOOR,SXS 42 FF PROI RR (AFTER 01/01/08)
4	002911-021		SKIN,DOOR,SXS 42 FF PROI SA (AFTER 01/01/08)
4	002911-022		SKIN,DOOR,SXS 42 FF PROI SE (AFTER 01/01/08)
4	002911-017		SKIN,DOOR,SXS 42 FF PROI TP (AFTER 01/01/08)
5	K2097526		BRACKET - HANDLE SUPPORT
6	M0204303		SCREW-MACH
7	PE940176		TRIM - DOOR SXS PRO SIDES
8	000650-000		BLOCK,EPS REF DOOR 42 SXS FF DES
9	PD940087		SPACER DOOR SKIN-HINGE SIDE (75.1)
10	PK030557		TRIM DOOR BULLNOSE 42 FF TOP/BOT



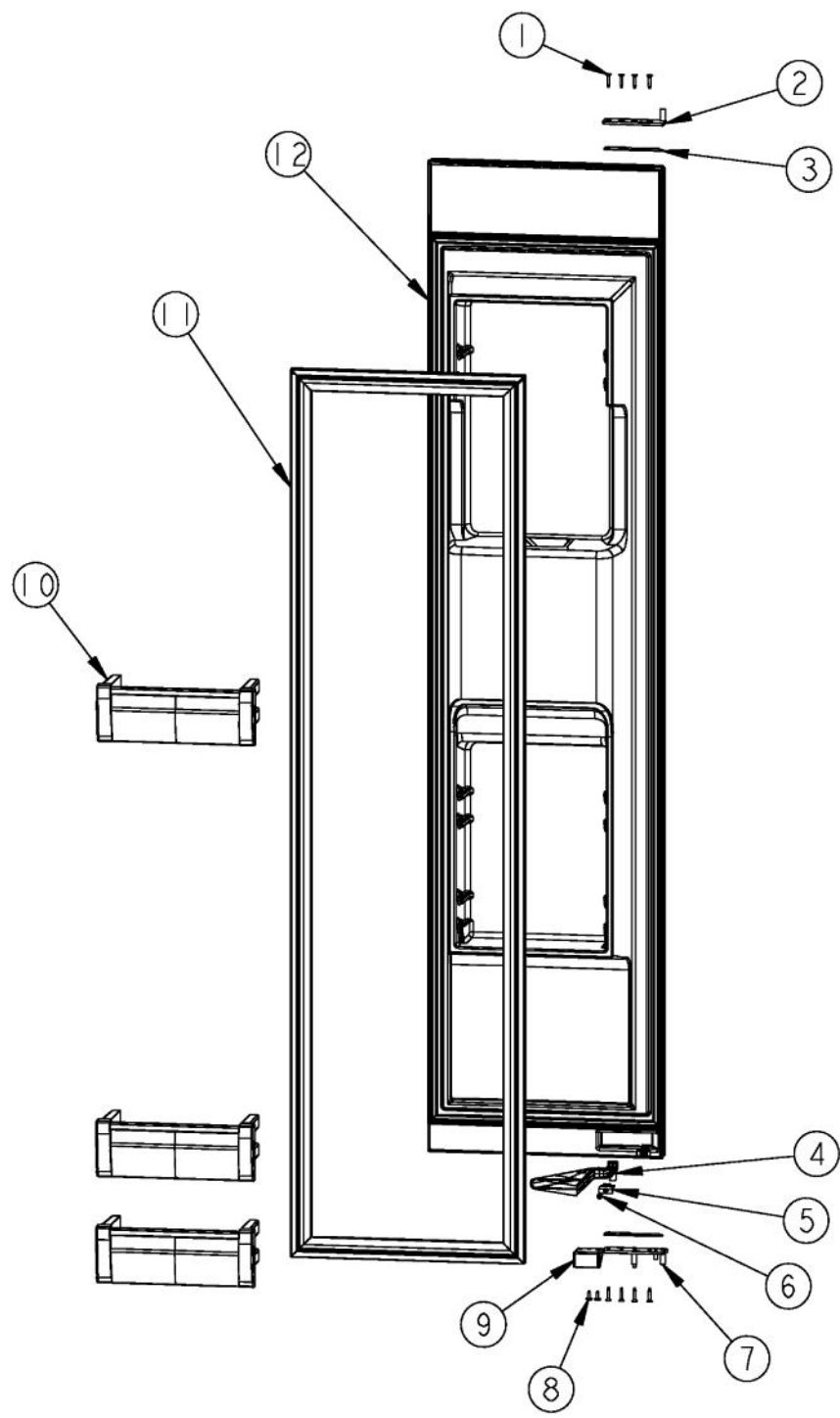
Ref #	Part Number	Qty.	Description
1	PM910189		SHELF WIRE FZ
2	PM910231		FZ FIXED BASKET ASSEMBLY
3	PD020194		SCREW-SM
4	PK930074		GLIDE SXS 48 FZ R
5	PM910190		BASKET ASM FZ
6	PK930107		FZ BASKET SIDE SPACER FRONT
7	12064701		PAD-GLIDE V12064701
8	L20910067		FZ SHELF BRACKET
9	PK930075		GLIDE SXS 48 FZ L



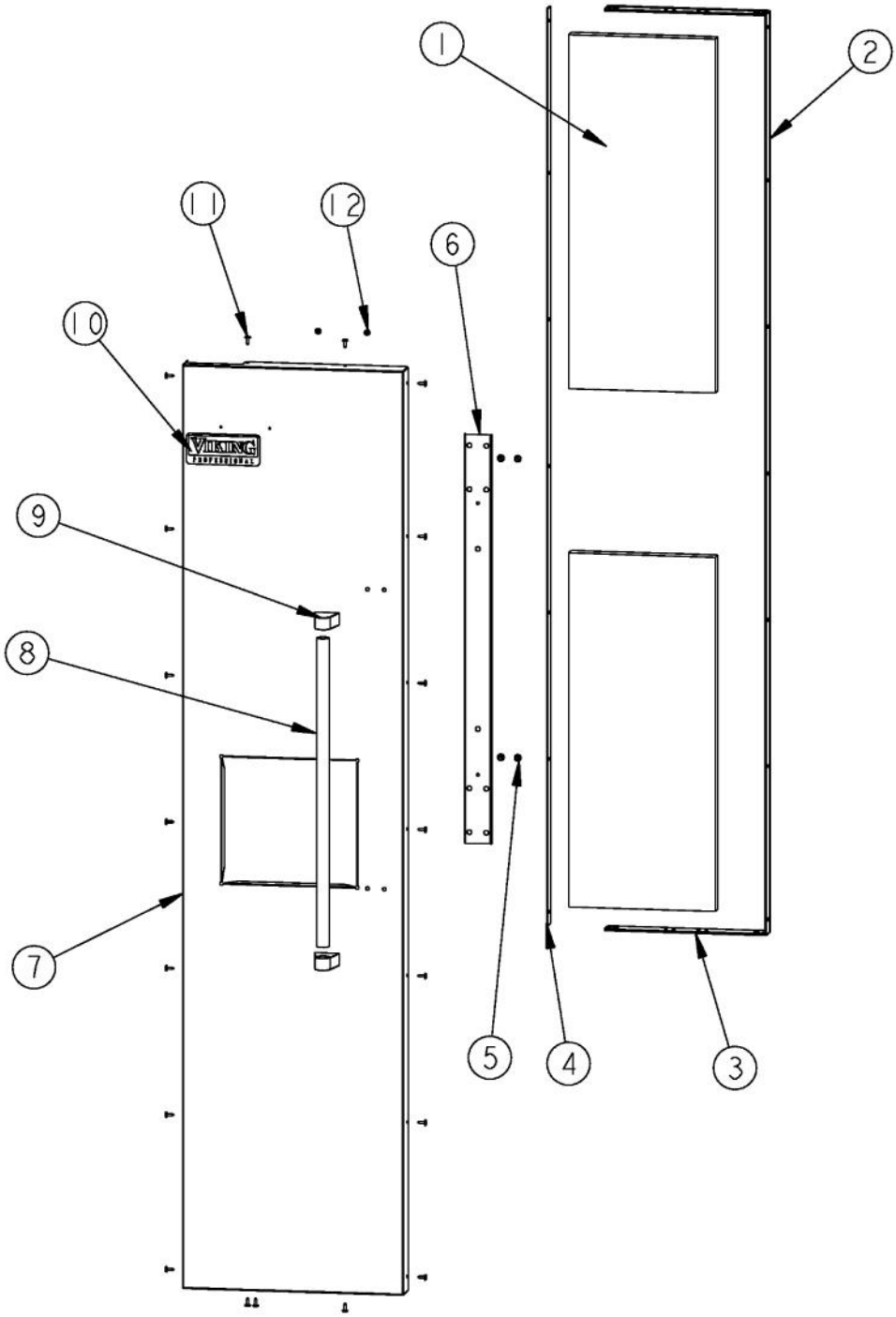
Ref #	Part Number	Qty.	Description
1	C90910058WH		COVER UPPER EVAP
2	PB920220		EXT FILL TUBE
3	PK030436		FILL TUBE
4	10276601		ELBOW-FILLER TUBE
5	PE950158		MOTOR AUGER
6	C90914113WH		BRACKET - AUGER MOTOR (WH)
7	PD020194		SCREW-SM
8	PD020191		SCR. NO.10 PLAS HXW 1/2 S
9	B20911863		DRIVER - ICE BUCKET RNG
10	M0223101		NUT LOCKING
11	PK930265		GLIDE R FZ
12	M0213503		SCREW-SM
13	PM910331		ICE BUCKET ASSY
14	PK930096		CLOSEOUT - ICE DISPENSER
15	PK930266		GLIDE L FZ
16	C90910027WH		SUPPORT LS ICE BUCKET
17	12258501		SUPPORT-SHELF
18	M0211021		SCREW-SM
19	PK930264		SHELF COVER
20	PM910435		RETAINER WIRE
21	G50911851		ICE MAKER ASM, SXS ND, AF



Ref #	Part Number	Qty.	Description
1	L2099475		BRACKET LIGHT SXS FZ
2	A3079001		LAMP - 40W
3	PE950125		LIGHT SOCKET
4	C90910058		UPPER EVAPORATOR COVER
5	M0221913		SCREW-SM
6	PK930086		COVER FAN SXS 48 FZ
7	M0288120		NUT-SPEED, VM0288120
8	K2096475		PLATE-FAN MNT 12404701
9	PD020188		SCR 8-18 BT HXWS 1 1/2
10	000732-000		FRESH FOOD FAN - 1.2 W
11	L20914115		FAN BRACKET
12	PD920193		SCREW
13	L20910056		COVER EVAP MOTOR
14	L20910057		COVER CENTER EVAP
15	C8983701		THERMISTOR
16	M0211014		SCREW-SM
17	L20910054		COVER LOWER EVAP
18	PM910375		LADDER R/L FZ
19	M0238535		SCREW-SM
20	L20910075		COVER EVAP FAN
21	L20914114		FAN COVER
22	PK930116		COVER LIGHT ASM SXS 42 FZ
23	PD020194		SCREW-SM
	B5733302		CLIP-GROUND
	M0580007		GROMMET-SCREW

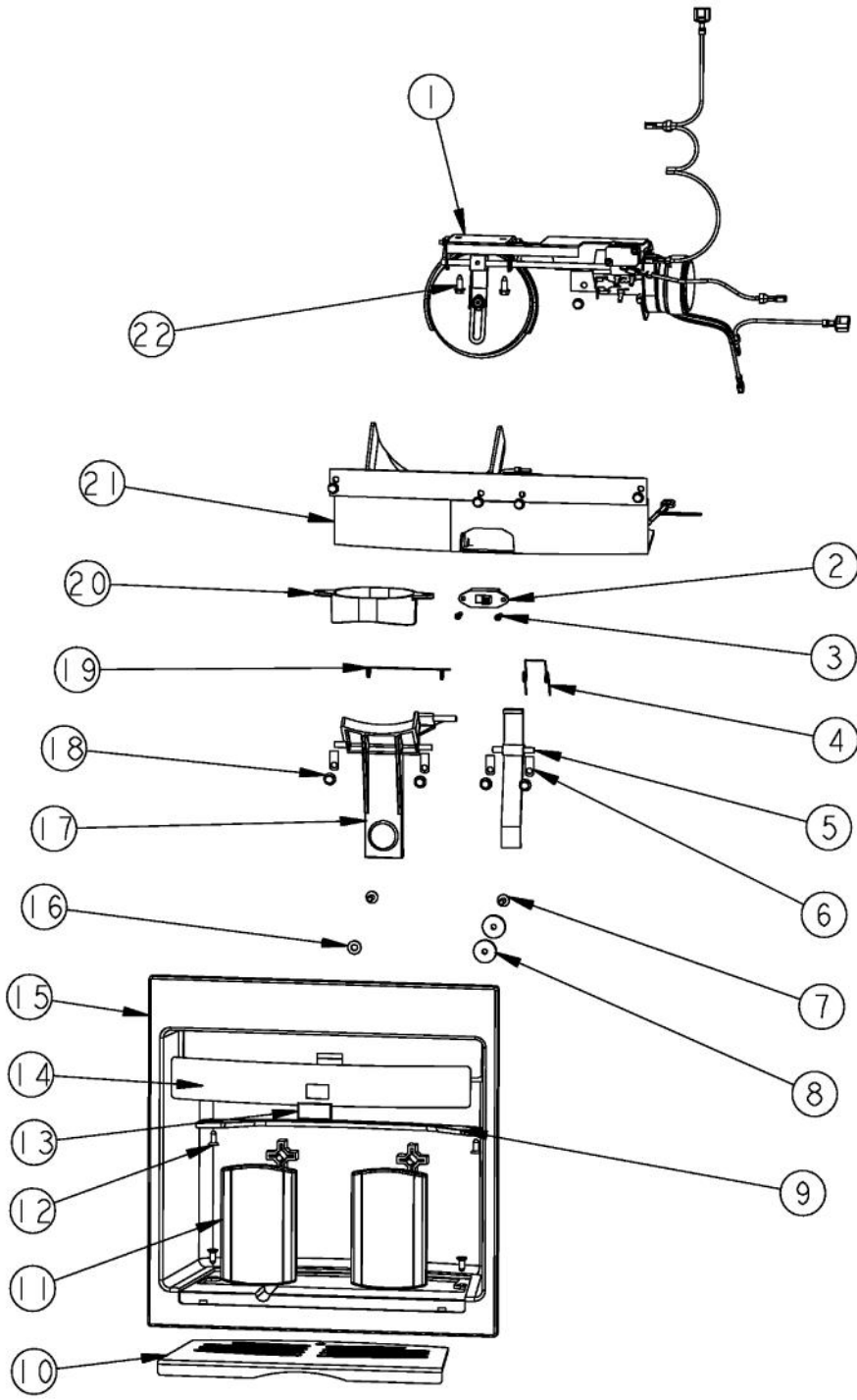


Ref #	Part Number	Qty.	Description
1	PD920174		10-32 TORX HEAD SCREW
2	PC020279		PIVOT PL ASM LH UP PRO/DES
3	PD040162		SPACER-DOOR HINGE
4	PK930297		ELBOW CHASE SXS DISP
5	PK930298		RETAINER ELBOW 42 SXS DISP
6	M0215318		SCREW-SM
7	PC020277		PIVOT PL ASM LH LW PRO/DES
8	M0210458		SCREW-SM
9	PD050019		STRIKER DOOR SWITCH
10	G5098676		DOORBIN ASM SXS 42 & 48 FZ
11	PB070328		DOOR GASKET
12	G32915036		DOOR ASM 42D FZ (INCLUDES GASKET)

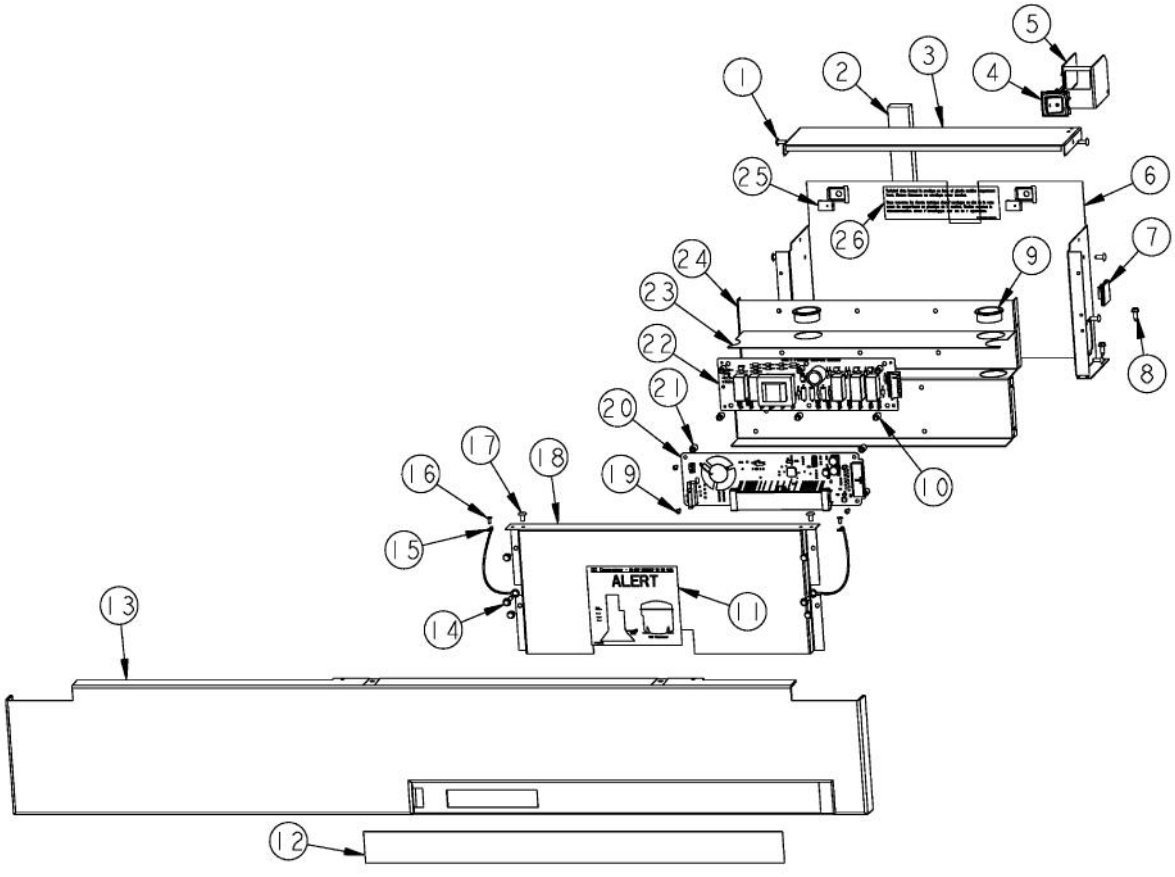


Ref #	Part Number	Qty.	Description
1	000656-000		BLOCK,EPS REF DOOR 42/48 SXS FZ DES
2	PE940176		TRIM - DOOR SXS PRO SIDES
3	PK030558		TRIM DOOR BULLNOSE 42 FZ TOP/BOT
4	PD940087		SPACER DOOR SKIN-HINGE SIDE (75.1)
5	M0204303		SCREW-MACH
6	K2097526		BRACKET - HANDLE SUPPORT
7	002896-000		SKIN,DOOR,SXS 42D FZ PROI SS
7	002896-006		DOOR SKIN - (WH)
7	002896-007		DOOR SKIN - (AL)
			(BEFORE 01/01/08)
7	002896-003		DOOR SKIN - (BT)
			(BEFORE 01/01/08)
7	002896-014		DOOR SKIN - (EP)
			(BEFORE 01/01/08)
7	002896-011		DOOR SKIN - (FG)
			(BEFORE 01/01/08)
7	002896-002		DOOR SKIN - (BK)
7	002896-008		DOOR SKIN - (BU)
7	002896-013		DOOR SKIN - (CB)
7	002896-005		DOOR SKIN - (GG)
7	002896-009		DOOR SKIN - (LE)
7	002896--010		DOOR SKIN - (MJ)
7	002896-004		DOOR SKIN - (SG)
7	002896-012		DOOR SKIN - (VB)
7	002896-024		DOOR SKIN - (AR)
			(AFTER 01/01/08)
7	002896-016		DOOR SKIN - (CH)
			(AFTER 01/01/08)
7	002896-018		DOOR SKIN - (CW)
			(AFTER 01/01/08)
7	002896-020		DOOR SKIN - (GM)
			(AFTER 01/01/08)
7	002896-023		DOOR SKIN - (IB)
			(AFTER 01/01/08)
7	002911-027		SKIN,DOOR,SXS 42 FF PROI MS
			(AFTER 01/01/08)
7	002896-019		DOOR SKIN - (OG)
			(AFTER 01/01/08)
7	002896-015		DOOR SKIN - (PL)
			(AFTER 01/01/08)
7	002896-026		DOOR SKIN - (PM)
			(AFTER 01/01/08)
7	002896-025		DOOR SKIN - (RR)
			(AFTER 01/01/08)
7	002896-021		DOOR SKIN - (SA)
			(AFTER 01/01/08)
7	002896-022		DOOR SKIN - (SE)
			(AFTER 01/01/08)
7	002896-017		DOOR SKIN - (TP)
			(AFTER 01/01/08)
8	PE930101		VCSB482 HANDLE -(12466403)
8	PE030173PVD		BRASS HANDLE
9	000268-000		HANDLE END CAP ASSY
9	PE030012PVD		DOOR HANDLE - RH - (30/48) PVD
10	PE010030		LOGO, 6, PRO, BK
10	PE010068		LOGO 6 (VGRC) BK/BR
10	PE010031		LOGO 6 (VGRC) XBK/WHX
10	PE010076		LOGO 6 (VGRC) XBR/WHX
11	M0210458		SCREW-SM
12	PD030006		CAPPED WASHER PAL NUT

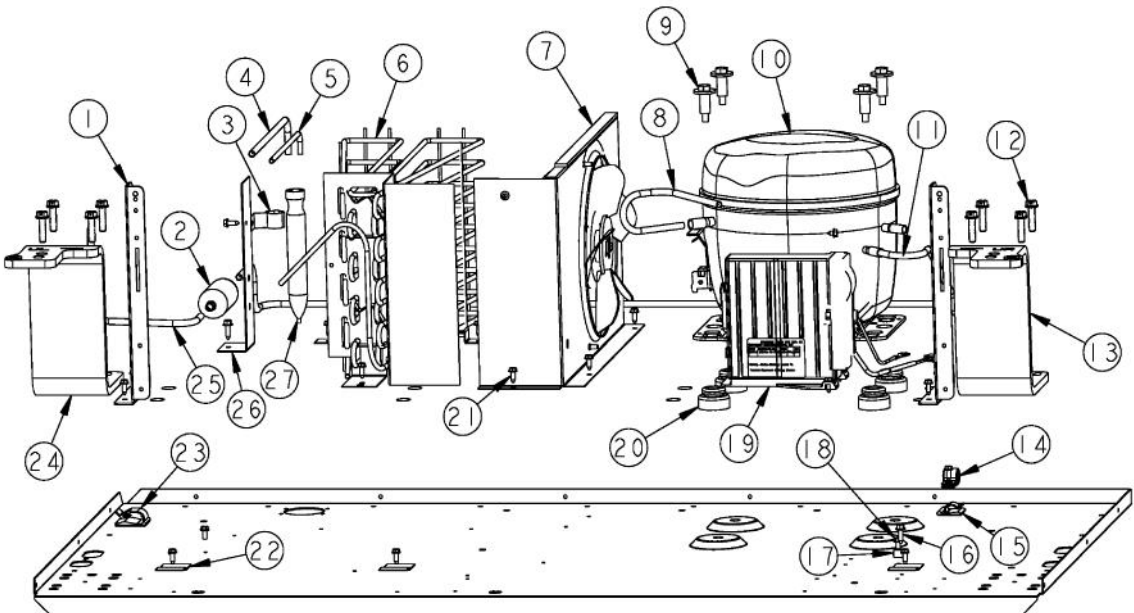
Ref #	Part Number	Qty.	Description
12	PD030006		CAPPED WASHER PAL NUT



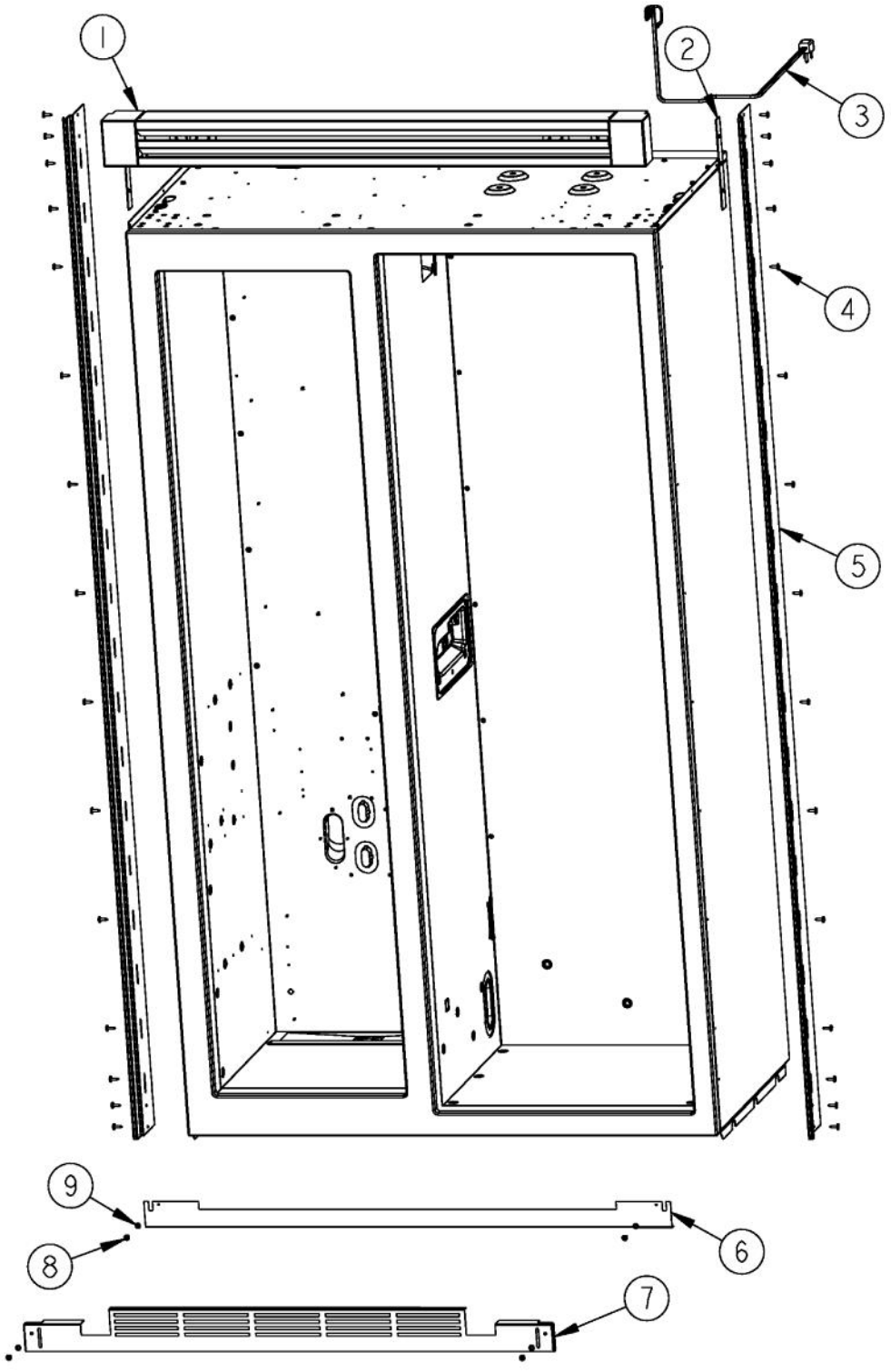
Ref #	Part Number	Qty.	Description
1	G50914150		ICE DISPENSER MODULE ASM
2	PE950152		SWITCH SLIDE
3	00334-000		SCREW, NO.4-24 X 1/2
4	B8385402		SPRING-RETURN
5	PK930404		ARM WATER ACTUATOR
6	B10910081		DISP RETAINER ICE ARM
7	M0210443		SCREW-E SM
8	M0270546		WASHER
9	12268304		STOP FACADE
10	PB980026		SPILL TRAY - I/W DISPENSER
11	12221005		PAD ACTUATOR
12	M0215318		SCREW-SM
13	PK930145		CAP - BLACK SWITCH
14	PB910281		INSERT FACADE SXS DISPENSER
15	PB910233		BEZEL I/W DISPENSER DESIGNER
16	PD040071		NO.8-.437 O.D. FLAT WASHER SS
17	PK030470		ARM ICE ACTUATOR
18	PD020193		SCR 8-18 X 3/8
19	PC010022		SPRING RETURN ICE ACTUATOR
20	PM010625		SHROUD ICE DISPENSER BK
21	PE070755		DISPENSER CAVITY ASSEMBLY
22	PD020194		SCREW-SM



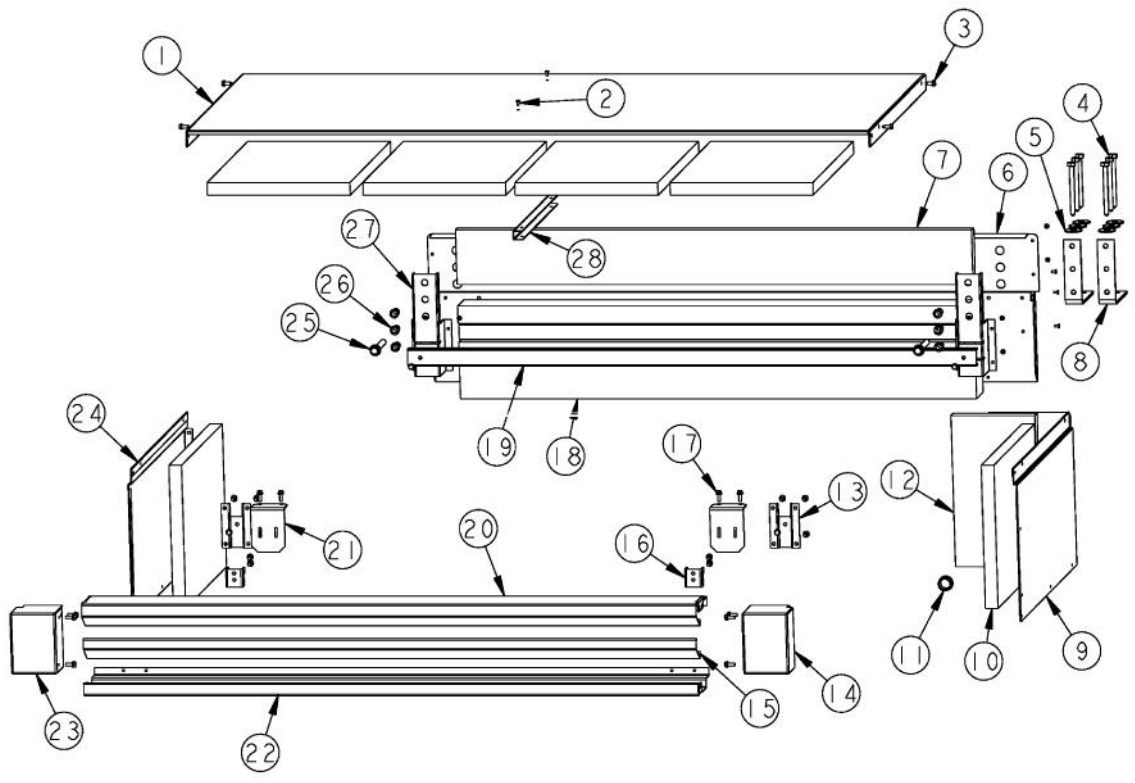
Ref #	Part Number	Qty.	Description
1	PC040010		POP RIVET
2	A3030361		GASKET, RED
3	K2091500		CONTROL BOX TOP
4	PE950149		SWITCH POWER
5	K2098654		BRACKET SWITCH POWER
6	K2099402		CONTROL BOX
7	M0104106		CLIP-CORD VM0104106
8	PD020194		SCREW-SM
9	A4554817		BUSHING-SNAP VA4554817
10	M0585504		SUPPORT
11	PF930672		LABEL DC COMPRESSOR
12	PE950175		OVERLAY SWITCH SXS 42 NON - DISP
13	PK930230		CONTROL PANEL SXS 42
14	M0238846		SCREW-SHLDR
15	12064001		SUPP-CONT PANEL
16	PC040010		POP RIVET
17	M0224128		SCREW-SM
18	K20910061		CONTROL BOX FRONT
19	PD020013		TYPE AB NO.6 X 3/8 PH PAN HD. SMS
20	PE070728		BOARD LOW VOLTAGE
21	M0585506		SUPPORT
22	PE970463		POWER CONTROL BOARD
23	PM910325		FILM PROTECTIVE
24	K20910060		BRACKET - PC
25	M0288120		NUT-SPEED, VM0288120
26	PF930487		TECH LITERATURE LABEL - 2



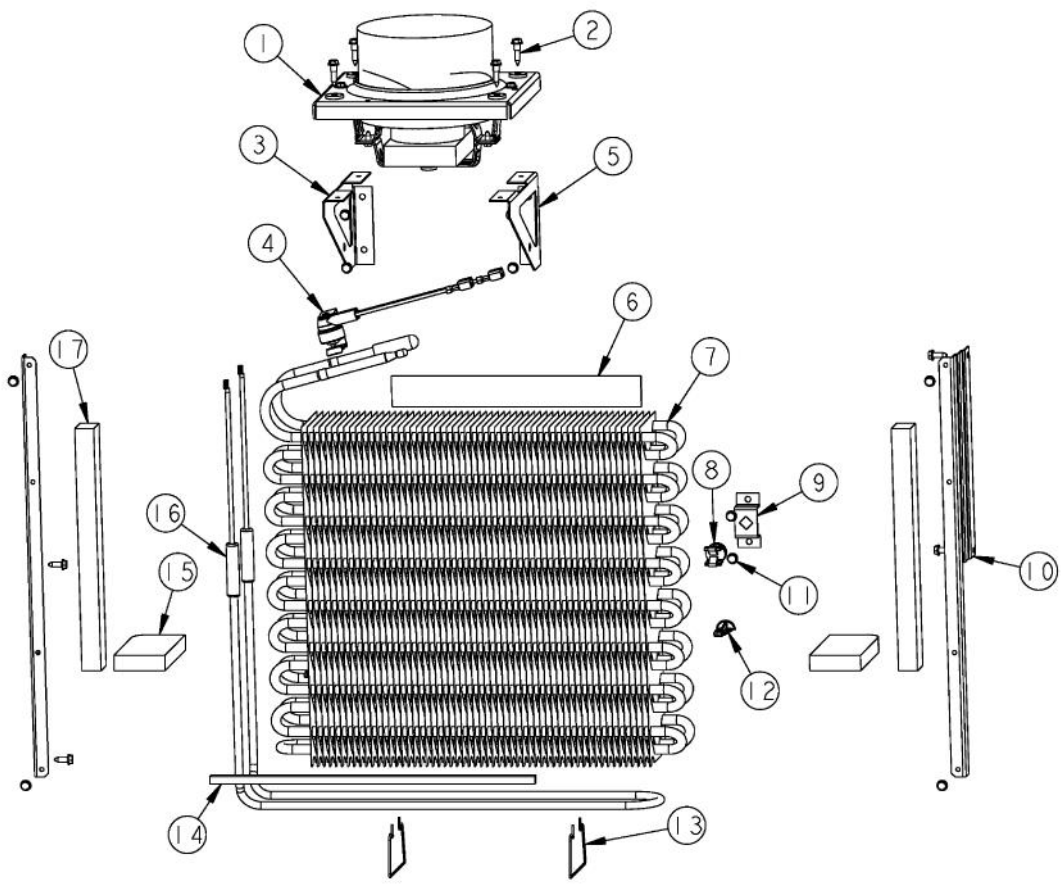
Ref #	Part Number	Qty.	Description
1	K20912569		BRACKET GRILLE SUPPORT
2	PB920201		ACCUMULATOR
3	10547001		CLIP-DRIER V10547001
4	F2097740		TUBE PROCESS
5	F2096504		TUBE-DRIER EXT
6	PB920171		CONDENSER ASM
7	G5096494		COND. FAN ASSY
8	F2096507		TUBE-PROCESS GRN
9	M0221523		SCREW - SHLDR
10	G5097976		COMPRESSOR ASSEMBLY (363 AND 483)
11	F2099443		TUBE DISCHARGE FORMED PRE ACCUM
12	000570-000		HEX SCREW
13	PC920203		HINGE ASM UR
14	PD030118		SCREW - SHLDR
15	M0104106		CLIP-CORD VM0104106
16	PD020195		SCR 8-18 X 5/8
17	M0103904		CLAMP-SPEED
18	PD020010		10 X 3/8 GREEN GROUNDING SCREW
19	PE070849		INVERTER
20	10835901		GROMMET RUBBER V10835901
21	PD020194		SCREW-SM
22	K2096943		PANEL BRACKET
23	M0104102		CLIP-CORD RED
24	PC920204		HINGE ASM UL
25	F2099444		TUBE DISCHARGE FORMED POST ACCUM
26	K2099454		BRACKET DRIER
27	10743201		DRIER, HI SIDE



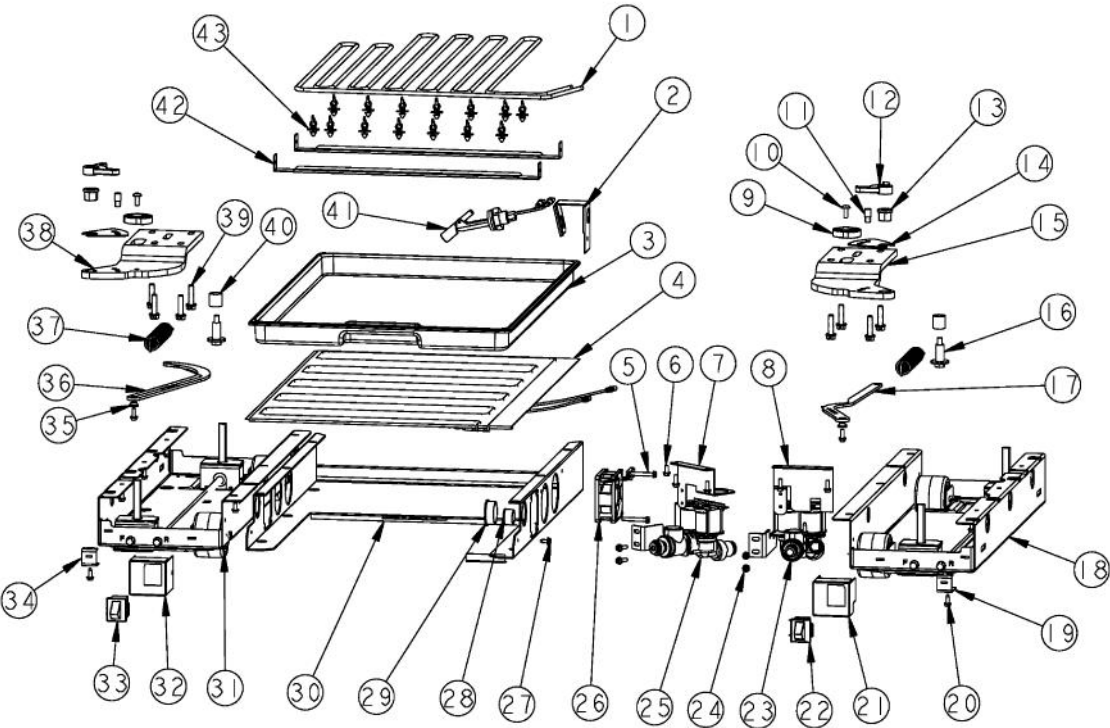
Ref #	Part Number	Qty.	Description
1	001101-000		GRILL,ASM,SXS 42 PROI FOR BREAKDOWN SEE PAGE 016
2	PK920066		SIDE TRIM
3	10916507		POWER CORD
4	M0215318		SCREW-SM
5	PK920066		SIDE TRIM
6	000207-002		KICKPLATE, LWR
7	C9097789BK		GRILLE TOE VENTED BK
8	M0210443		SCREW-E SM
9	40370P01		NYLON FLAT WASHER V40370P01
NI	G50915601		GRILLE TOE ASM SXS 42



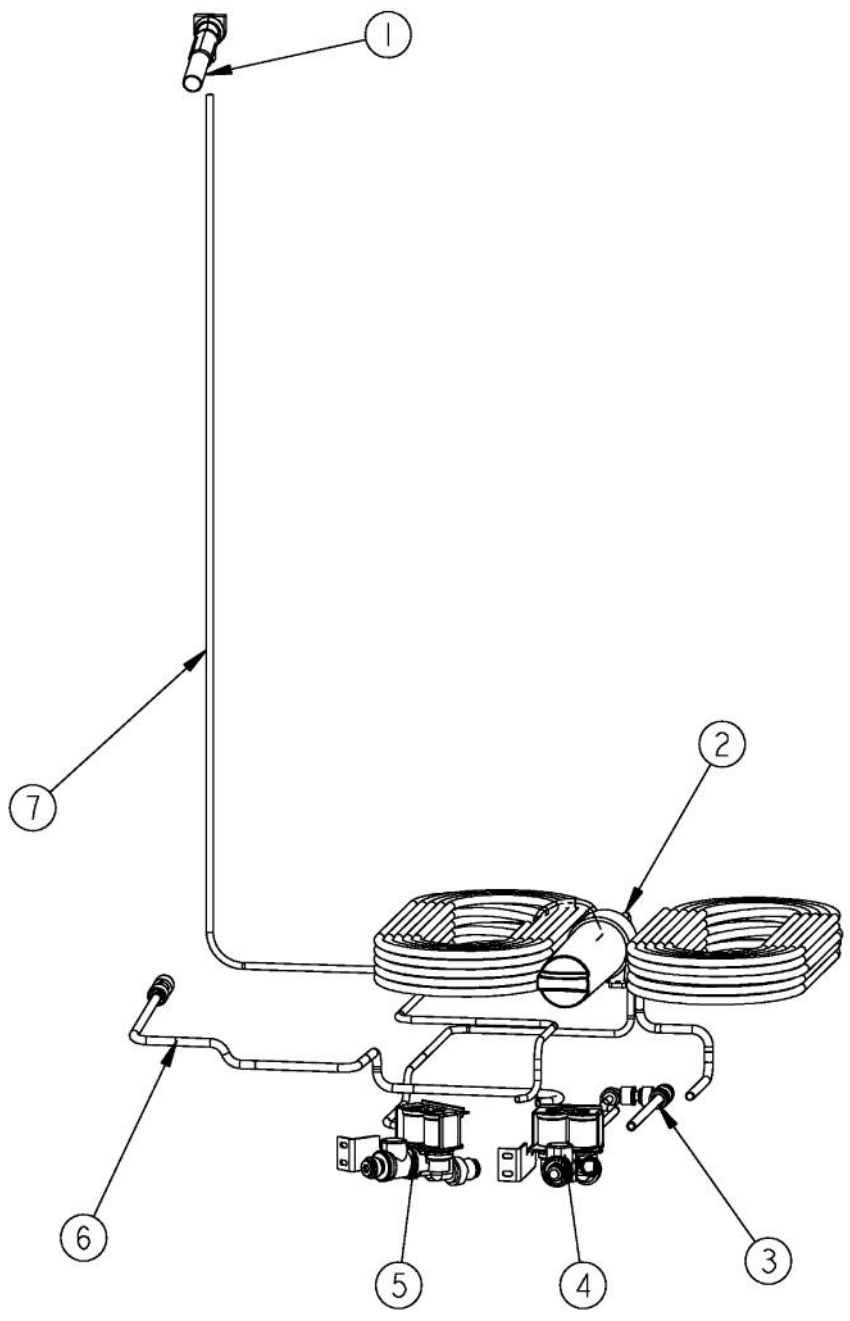
Ref #	Part Number	Qty.	Description
1	K2099458		MC TOP SXS 42
2	PC040010		POP RIVET
3	PD020194		SCREW-SM
4	M0223509		SCREW-LAG
5	M0270510		WASHER
6	K2099461		MC BACK 42
7	PB070360		INSULATION MC COVER
8	PK910089		BRACKET, ANTI - TIP
9	K2099459		MC SIDE R
10	PB070355		INSULATION MC COVER
11	A4554806		BUSHING-SNAP VA4554806
12	PB970171		MC INSULATION - BACK SIDE
13	PK050004		BRACKET GRILLE
14	B20916337		ENDCAP GRILLE PROI R
15	001099-000		LOUVER.GRL,MDL, SXS 42 PROI
16	B2096961		BRACKET-LOUVER
17	M0220417		SCREW-TC
18	PB070361		INSULATION MC COVER
19	K20915903		CROSSMEMBER PSM 42
20	001098-000		LOUVER.GRL,TOP,SXS 42 PROI
21	K20916342		BRACKET GRILLE
22	001100-000		LOUVER.GRL,BOT, SXS 42 PROI
23	B20916338		ENDCAP GRILLE PROI L
24	K2099460		MC SIDE L
25	PD020233		SCR LAG 5/16-9 GX 5/16X7/16 WAF IHXW 3 S ZN
26	PD040157		BEARING SLEEVE
27	K20915675		BRACKET PSM
28	K2099455		SUPPORT MC Z



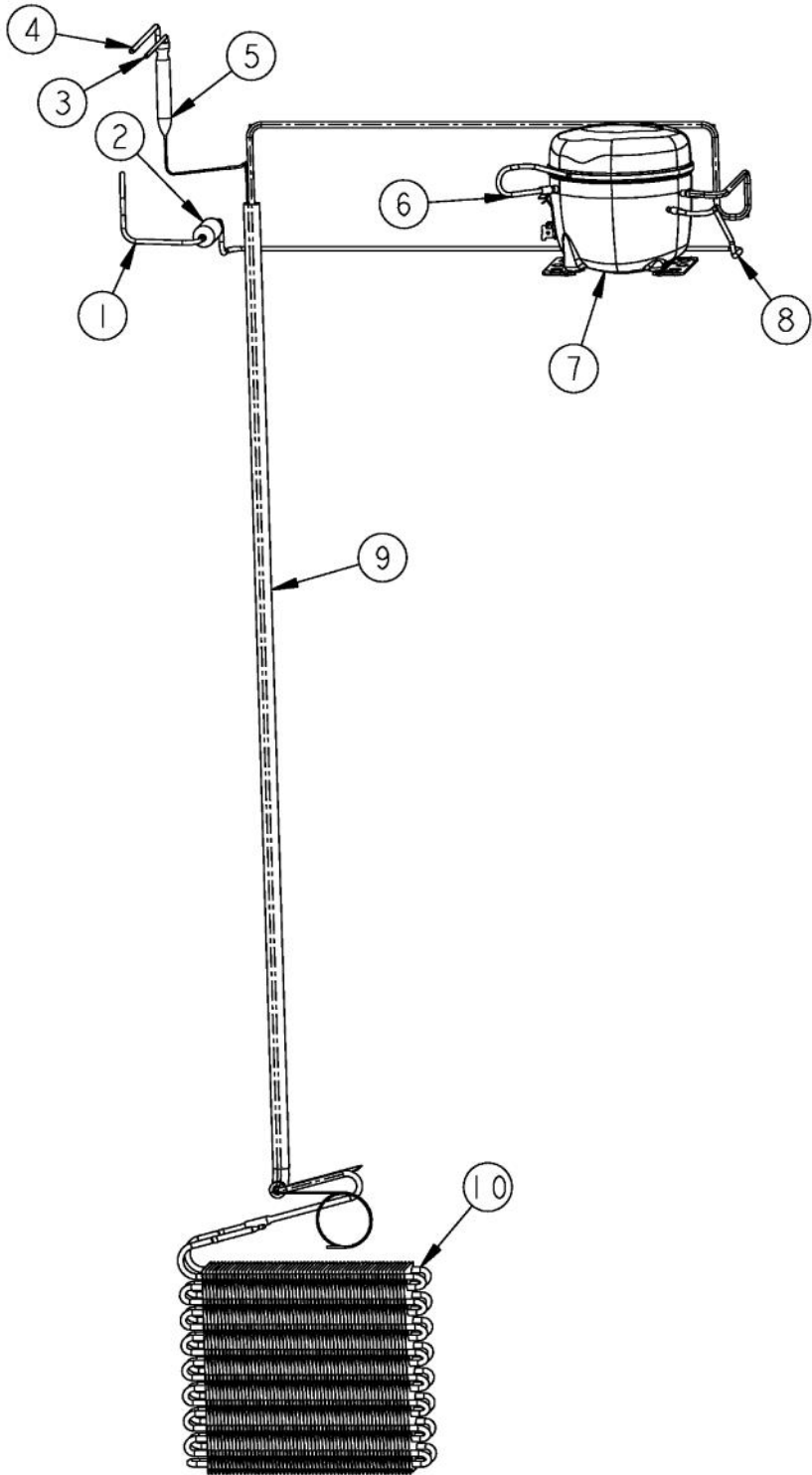
Ref #	Part Number	Qty.	Description
1	G5098660		FAN EVAP ASM
2	M0238859		SCREW-SHLDR
3	K2096458		BRKT-L-EVAP-FAN 12223102
4	PB910259		THERMOSTAT DEFROST TERMINATOR
5	K2096457		BRKT-R-EVAP FAN 12223101
6	A3189370		GASKET-FOAM VA3189370
7	PM910206		EVAPORATOR SXS 48
8	10623003		CLIP-EVAP
9	K2096456		BRKT-EVAP CLIP 12215101
10	K2096461		BRKT-EVAP COVER 12234801
11	PD020194		SCREW-SM
12	10527401		CLIP-EVAP
13	10428101		CLIP-EVAP HTR V10428101
14	A3030303		GASKET
15	10629001		BLOCK-R AIR COIL RED
16	PJ910031		HEATER EVAP SXS
17	A3030361		GASKET, RED



Ref #	Part Number	Qty.	Description
1	F20915693		SERPENTINE CONDENSER DRAIN ALL SXS'S
2	B20915627		BRACKET HORIZ FLOAT SWITCH
3	PK930348		PAN DRAIN
4	G50914125		TRAY PAN HEATER
5	PD020274		SCR SLTD HEX WSHR HD 8X1.250 BT
6	PD020010		10 X 3/8 GREEN GROUNDING SCREW
7	K20914175		BRACKET, DUAL VALVE, J.G. INLET
8	K20913790		BRKT VALVE H2O DUAL
9	PM010602		CAM DOOR ADJUSTMENT
10	PD020234		SCREW THP 10-32 X .500 SS BO
11	PC930145		DOOR STOP PIN
12	PD940091		BUSHING - DOOR STOP
13	PD940090		BUSHING - WC DOOR LEVEL
14	PC920144		PLATE - WC DOOR SHIM
15	PC920215		HINGE PLATE SXS LR
16	M0221523		SCREW - SHLDR
17	PC920166		BAR-WC BOT HINGE RH
18	PM910398		LEVELER ASSEMBLY - R
19	K2098044		BRKT GRILLE SUPPORT
20	PD020194		SCREW-SM
21	002667-000		SWITCH,GRILLE,MT,RH
22	PE950147		SWITCH SPST NC BLACK
23	PA070014		VALVE WATER DOUBLE COMP. INLET
24	M0220417		SCREW-TC
25	PA970010		SUB TO G50911843 - VALVE WATER
26	000731-000		AXIAL FAN
27	M0253916		SCREW-TF
28	A4554806		BUSHING-SNAP VA4554806
29	A4554817		BUSHING-SNAP VA4554817
30	K20915952		SHIELD BOTTOM DRAIN
31	PM910399		LEVELER MODULE L
32	002668-000		SWITCH,GRILLE,MT,LH
33	PE950146		SWITCH SPDT BLACK
34	K2098096		BRKT GRILLE SUPPORT
35	PD940094		BUSHING
36	PC920149		BAR-WC BOT HINGE LH
37	PC910015		SPRING EXTENSION
38	PC020289		HINGE PLATE LL
39	000570-000		HEX SCREW
40	PD940107		ROUND SPRING SPACER
41	PE050248		FLOAT SWITCH HORIZONTAL
42	K20911831		BRACKET CONDENSATE SUPPORT
43	PD030146		STAND OFF LOCK CLIP



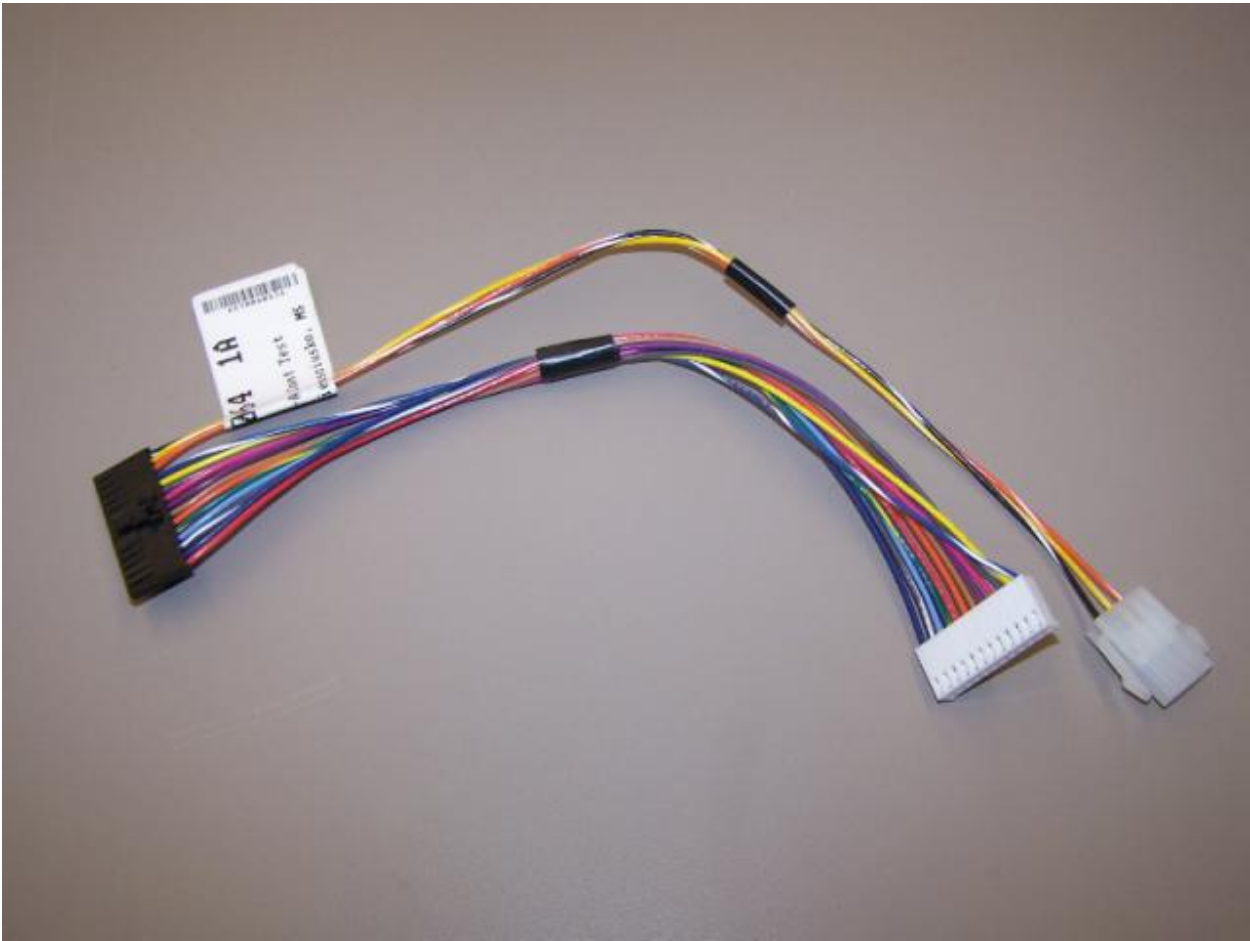
Ref #	Part Number	Qty.	Description
1	G5096419		FILL TUBE ASSY 10942511
2	PA030019		FILTER/COIL TUBE ASM
3	PB020322		TUBE AND FITTING ASM
4	PA070014		VALVE WATER DOUBLE COMP. INLET
5	PA970010		SUB TO G50911843 - VALVE WATER
6	PB020294		TUBE ASM-DOOR TO VALVE
7	PB020303		PLASTIC TUBING-IM WATERLINE SXS DISP
NI	PB020302		PLASTIC TUBING-DOOR WATERLINE SXS DISP



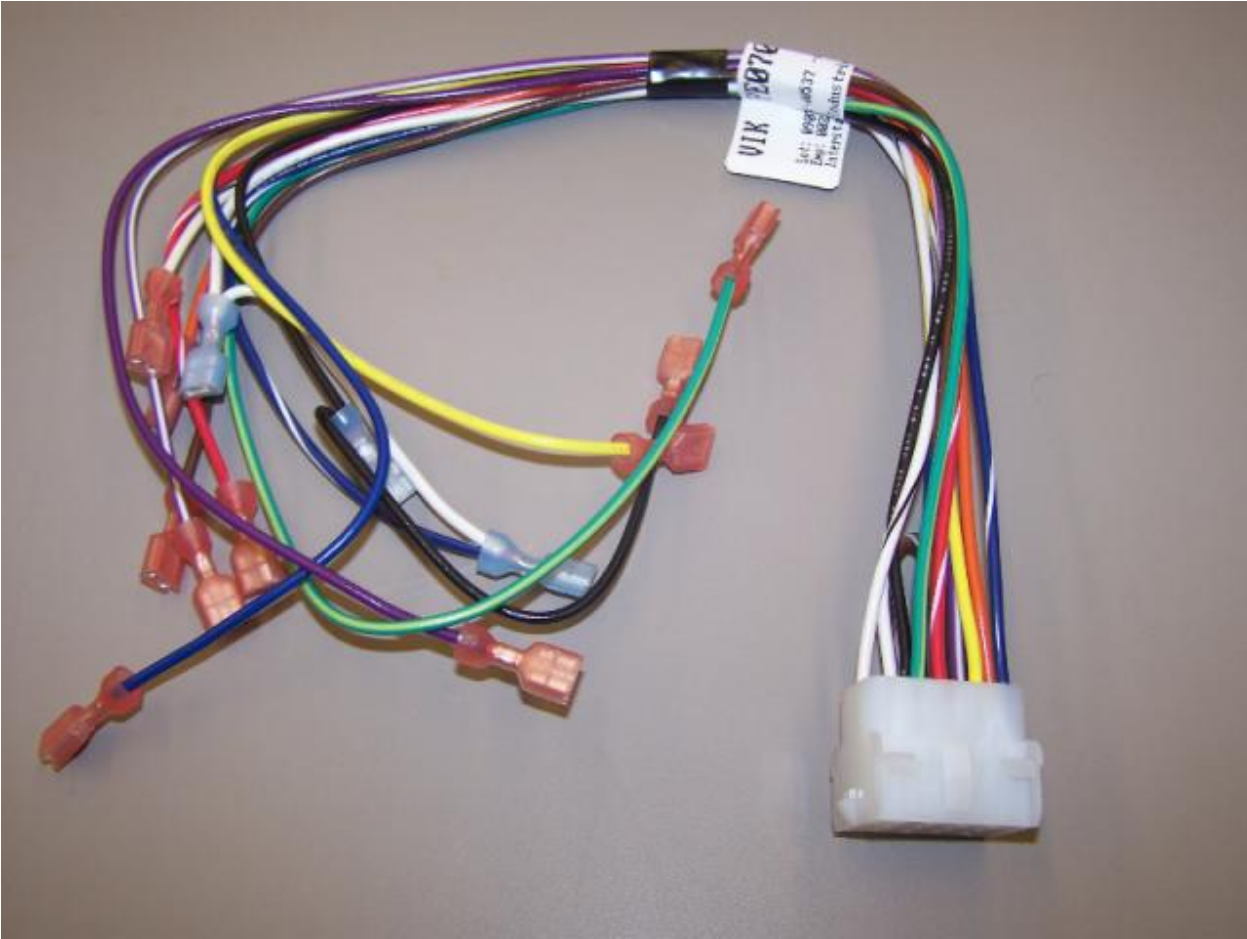
Ref #	Part Number	Qty.	Description
1	F2099444		TUBE DISCHARGE FORMED POST ACCUM
2	PB920201		ACCUMULATOR
3	F2096504		TUBE-DRIER EXT
4	F2097740		TUBE PROCESS
5	10743201		DRIER, HI SIDE
6	F2096507		TUBE-PROCESS GRN
7	G5097976		COMPRESSOR ASSEMBLY (363 AND 483)
8	F2099443		TUBE DISCHARGE FORMED PRE ACCUM
9	F2097793		TUBE FORMED HT EXCH
10	PM910206		EVAPORATOR SXS 48



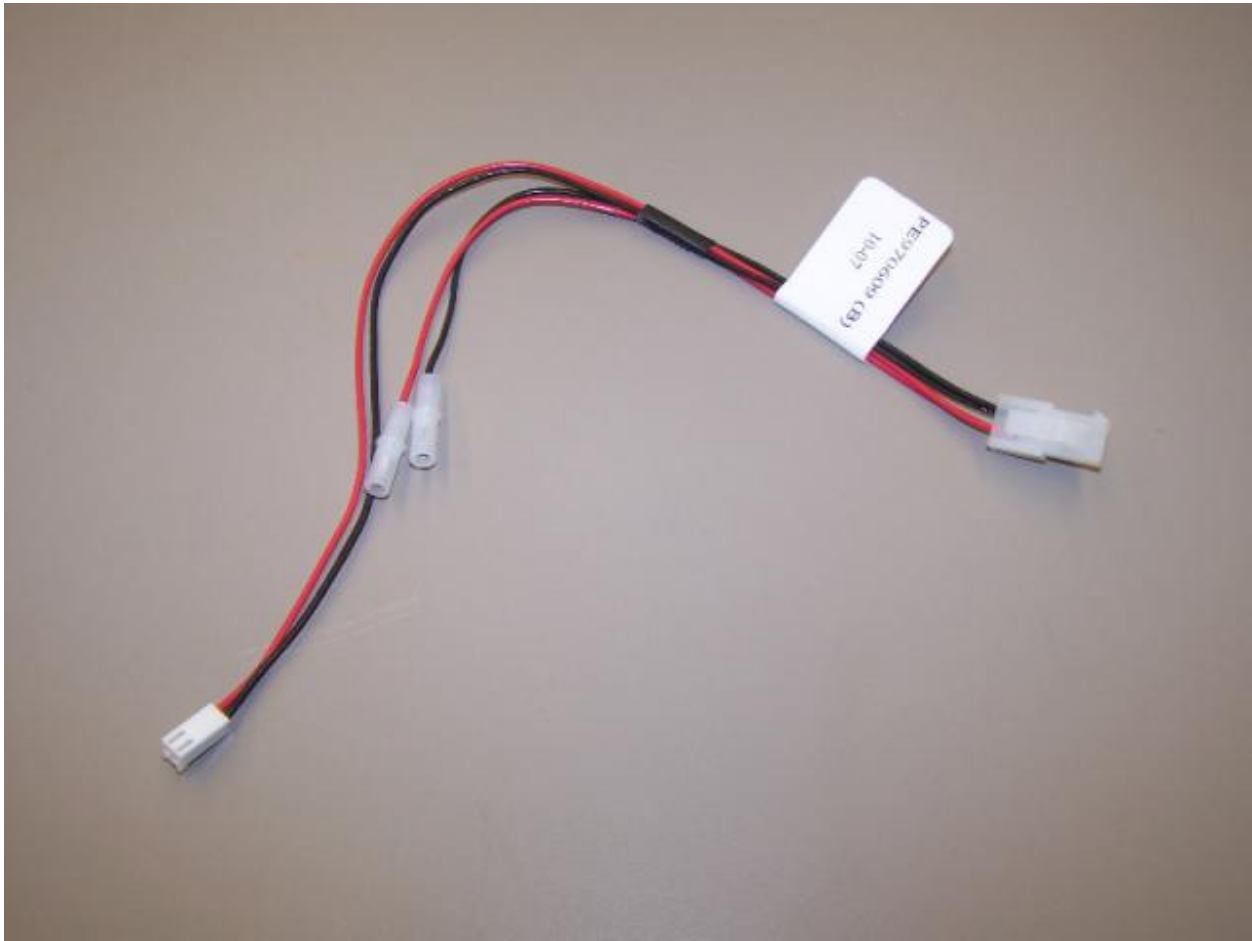
Ref #	Part Number	Qty.	Description
1	PE970595		HARNESS MACH SXS



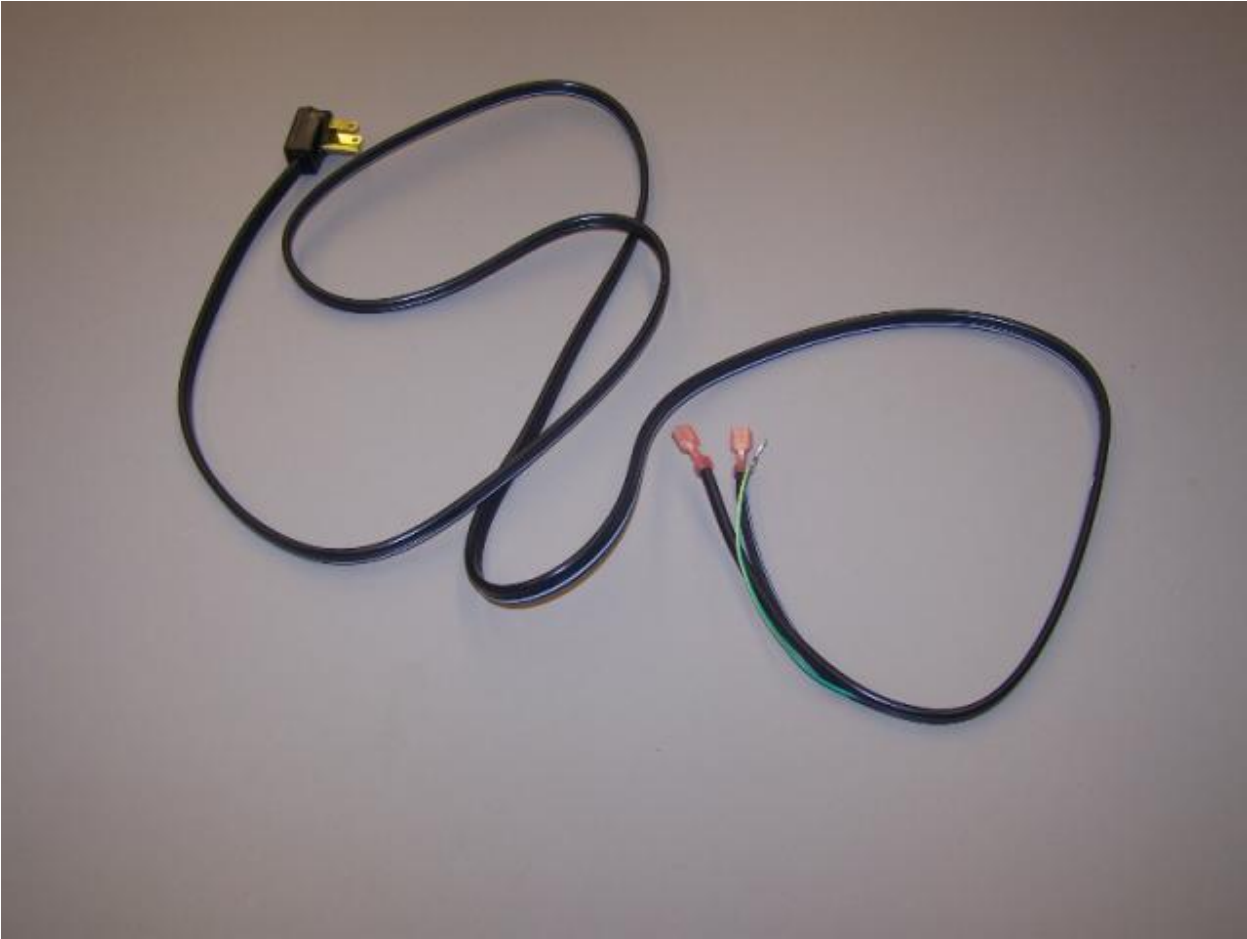
Ref #	Part Number	Qty.	Description
1	PE970464		HARNESS LOW VOLT



Ref #	Part Number	Qty.	Description
1	PE070785		HARNESS HIGH VOLT



Ref #	Part Number	Qty.	Description
1	PE970609		HARNESS CONTROL BOARD



Ref #	Part Number	Qty.	Description
1	10916507		POWER CORD

*No Image
Available*

Ref #	Part Number	Qty.	Description
1	040078-000		HARNESS, JUMPER DISP CAVITY

*No Image
Available*

Ref #	Part Number	Qty.	Description
1	040066-000		HARNESS JUMPER LOWER

*No Image
Available*

Ref #	Part Number	Qty.	Description
1	040085-000		HARNESS, MAIN