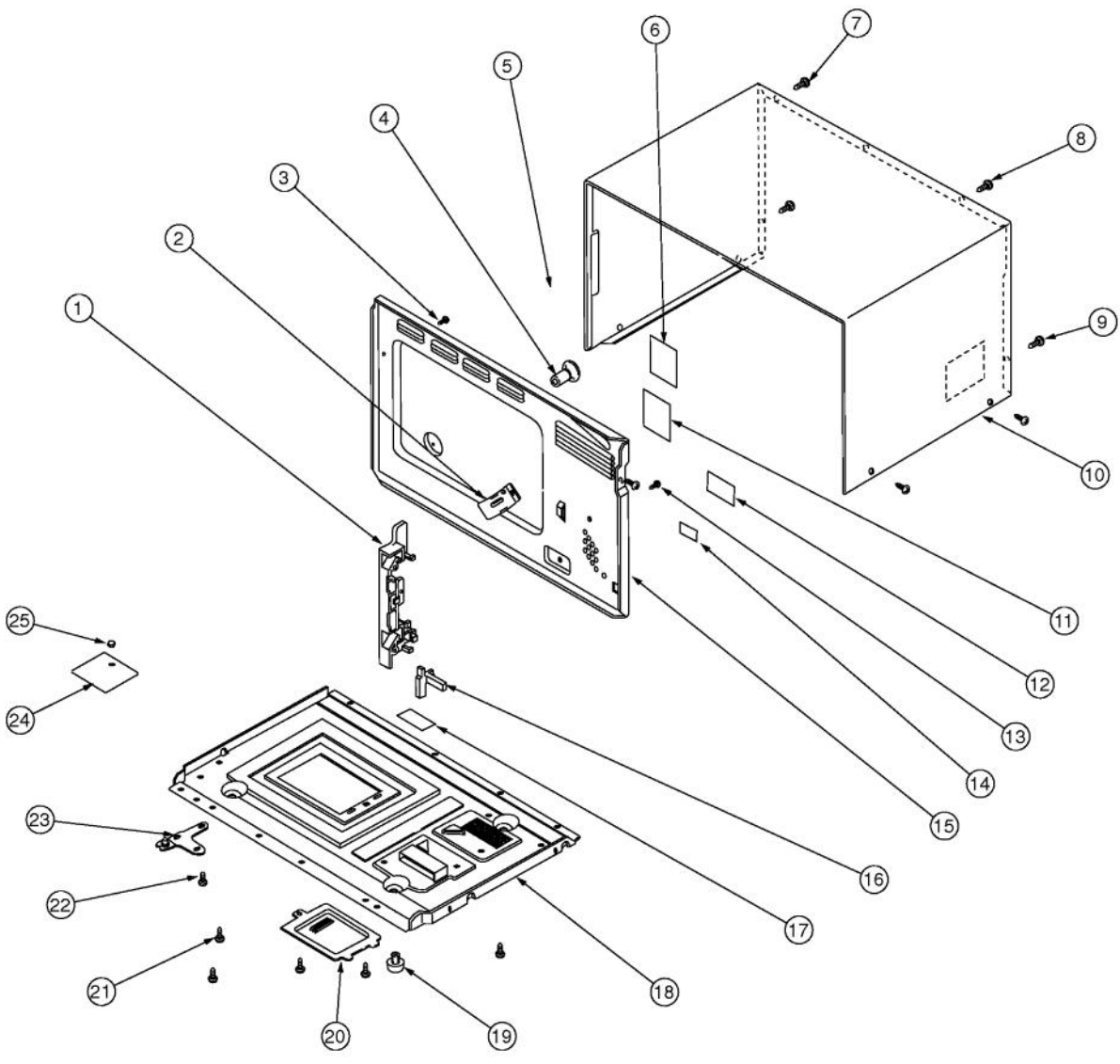
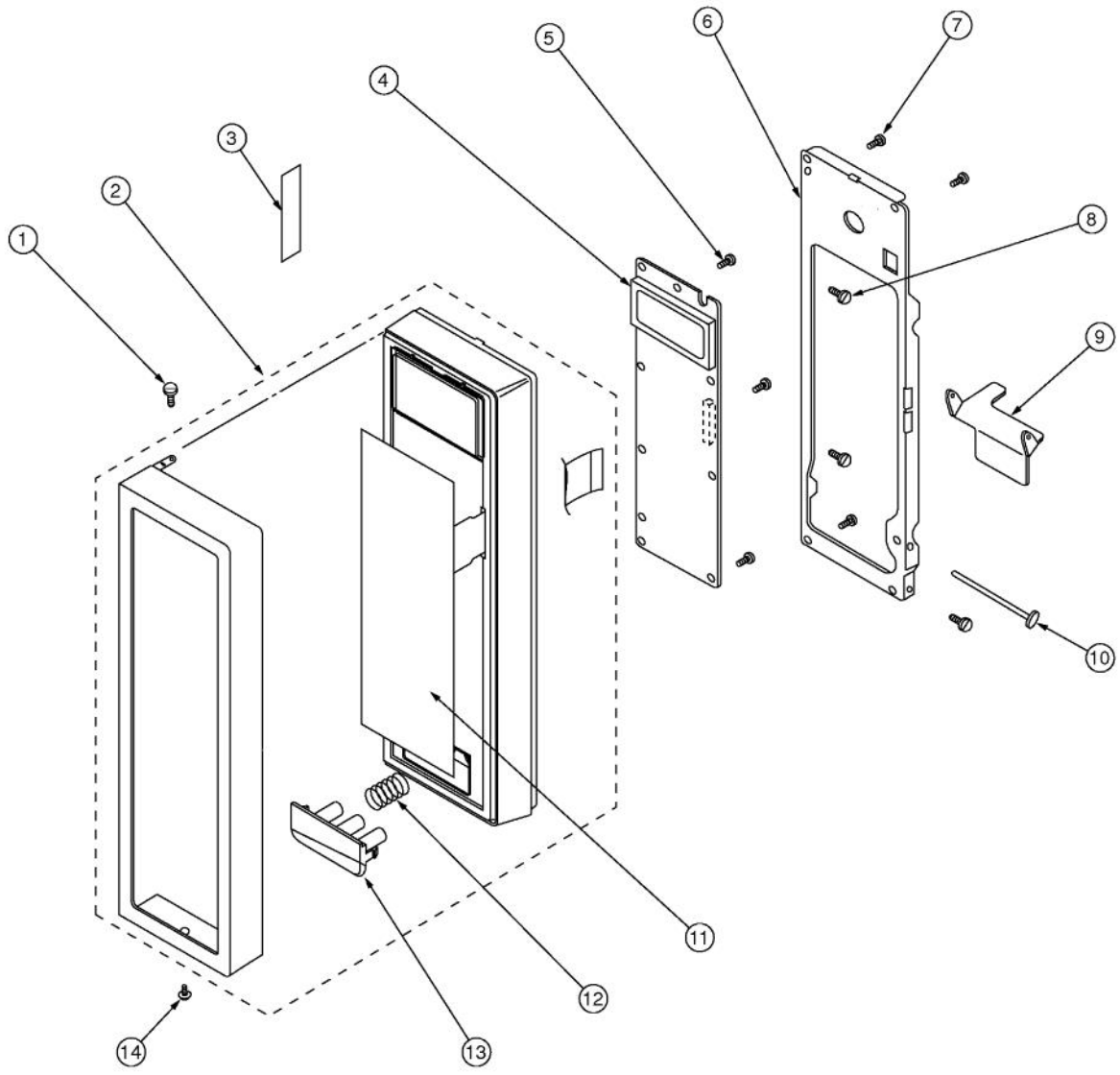


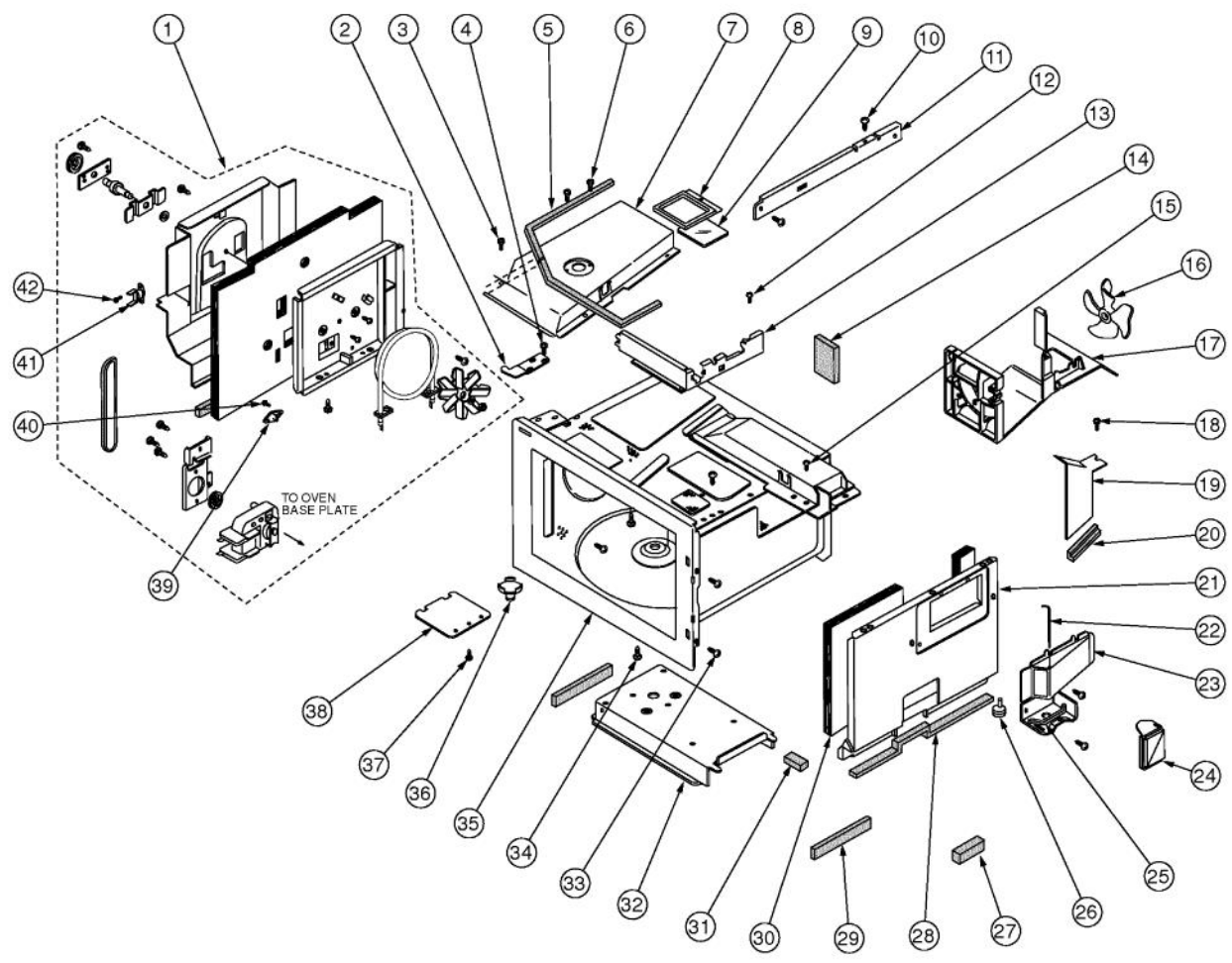
Ref #	Part Number	Qty.	Description
1	PM100049	1	AH SENSOR ASSEMBLY
2	028812-000	2	? OVEN & CONVECTION THERMAL CUT-OUT 150 C
3	028806-000	1	THERMO COVER
4	028811-000	1	OVEN LAMP
5	PM100039	1	OVEN LAMP SOCKET
6	028808-000	1	C/T FUSE
7	028819-000	3	SCREW; 4MM X 8MM
8	028800-000	1	H.V.RECTIFIER ASSEMBLY
9	028810-000	1	H.V.CAPACITOR
10	PM100029	1	POWER SUPPLY CORD
11	028809-000	1	GROUNDING WIRE (COOLING FAN MOTOR)
12	028821-000	2	NUT; 4MM X 3.2MM
13	PM100041	1	FAN MOTOR
14	028816-000	2	SCREW; 4MM X 25MM
15	028814-000	1	MAGNETRON
16	028815-000	1	SCREW; 3MM X 14MM
17	PM100019	1	INTERLOCK SWITCH
18	PM100037	1	DAMPER MOTOR
19	028817-000	3	SCREW; 3MM X 6MM
20	028820-000	2	SCREW; 6MM X 14MM
21	028822-000	1	WASHER; 6MM X 0.7 MM
22	028813-000	1	POWER TRANSFORMER
23	PM100019	3	INTERLOCK SWITCH
24	PM100048	1	TURNTABLE MOTOR
25	028818-000	6	SCREW; 4MM X 8MM
26	PM120148	4	SCREW : 3MM X 14MM
27	028803-000	1	NOISE UNIT ANGLE
28	028801-000	1	NOISE FILTER
29	028807-000	1	DUMMY FUSE
30	028805-000	1	WASHER
31	019070-000	1	MONITOR SWITCH AND C/T FUSE
32	028802-000	1	DOOR FRAME ASSEMBLY (VMOC206PM)
33	028804-000	1	SCREW; 4MM X 8MM



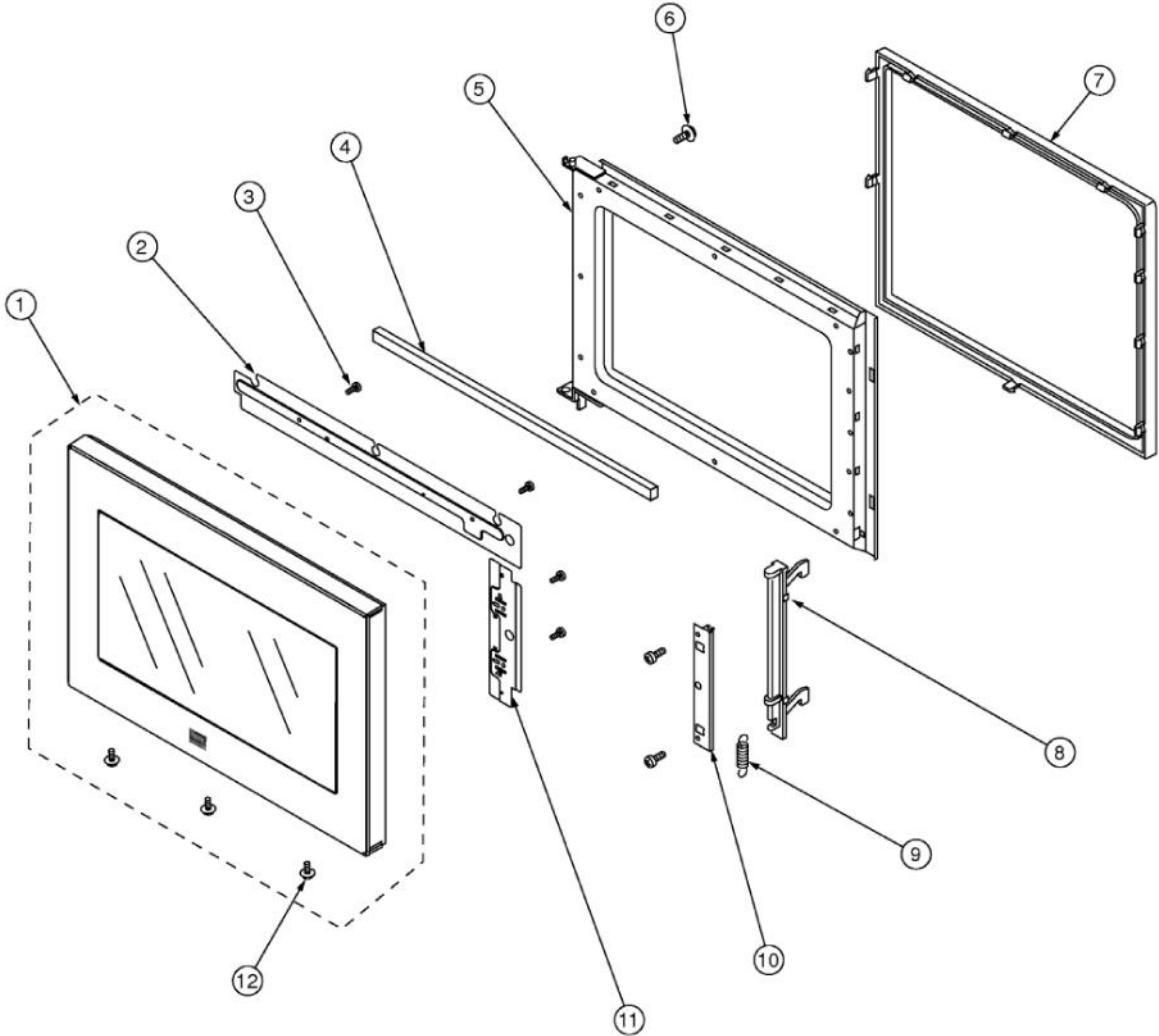
Ref #	Part Number	Qty.	Description
1	PM120042	1	LATCH HOOK
2	PM100051	1	CAPACITOR HOLDER
3	028823-000	7	SCREW; 4MM X 8MM
4	028824-000	1	DOOR FRAME ASSEMBLY (VMOC206RR)
5	PM120146	4	SCREW : 4MM X 12MM
6	005196-000	1	GND CAUTION LABEL
7	PM120005	2	SCREW
8	PM120146	21	SCREW : 4MM X 12MM
9	PM120004	1	SPECIAL SCREW
10	028825-000	1	OUTER CASE CABINET
11	022495-000	1	NHW CAUTION LABEL
12	012012-000	1	BIK LABEL
13	PM120148	4	SCREW : 3MM X 14MM
14	PM120018	1	UL LABEL
15	UNSERVICEABLE	1	OVEN CAVITY, ASM 36
16	PM120043	1	SWITCH LEVER (MLEVPA231WRF0)
17	028826-000	1	MONITOR CAUTION LABEL
18	UNSERVICEABLE	1	OVEN CAVITY, ASM 36
19	028827-000	4	FOOT
20	PM110025	1	TURNTABLE MOTOR COVER
21	028828-000	1	SCREW; 4MM X 6MM
22	028829-000	6	SPECIAL SCREW
23	028830-000	1	OVEN HINGE (LOWER)
24	028831-000	1	CSA BARRIER
25	028832-000	1	SPECIAL NUT



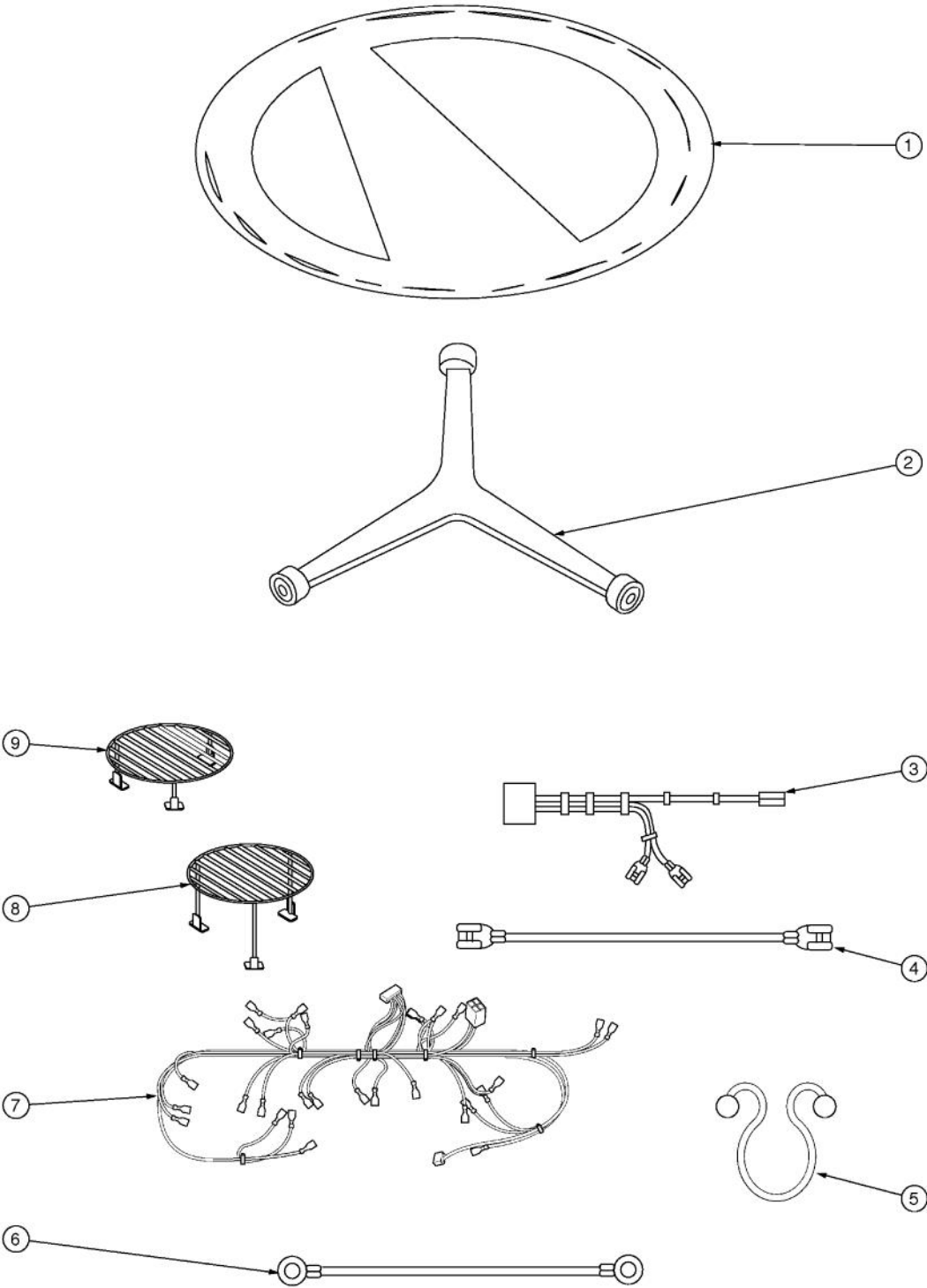
Ref #	Part Number	Qty.	Description
1	028833-000	1	SCREW ; POWER UNIT ASSY
2	001916-002	1	CONTROL PANEL FRAME WITH KEY UNIT (VMOC206BK)
2	001916-004	1	CONTROL PANEL FRAME WITH KEY UNIT (VMOC206SG)
2	001916-005	1	CONTROL PANEL FRAME W/KEY UNIT
2	028834-000	1	CONTROL PANEL FRAME WITH KEY UNIT (VMOC206WH)
2	028835-000	1	CONTROL PANEL FRAME WITH KEY UNIT (VMOC206SS)
2	028836-000	1	CONTROL PANEL FRAME WITH KEY UNIT (VMOC206BT)
2	028837-000	1	CONTROL PANEL FRAME WITH KEY UNIT (VMOC206BU)
2	028838-000	1	CONTROL PANEL FRAME WITH KEY UNIT (VMOC206LE)
2	028839-000	1	CONTROL PANEL FRAME WITH KEY UNIT (VMOC206MJ)
2	028840-000	1	CONTROL PANEL FRAME WITH KEY UNIT (VMOC206MS)
2	028841-000	1	CONTROL PANEL FRAME WITH KEY UNIT (VMOC206VB)
2	028842-000	1	CONTROL PANEL FRAME WITH KEY UNIT (VMOC206CB)
2	028843-000	1	CONTROL PANEL FRAME WITH KEY UNIT (VMOC206TP)
2	028844-000	1	CONTROL PANEL FRAME WITH KEY UNIT (VMOC206OG)
2	028845-000	1	CONTROL PANEL FRAME WITH KEY UNIT (VMOC206CW)
2	028846-000	1	CONTROL PANEL FRAME WITH KEY UNIT (VMOC206GM)
2	028847-000	1	CONTROL PANEL FRAME WITH KEY UNIT (VMOC206SA)
2	028848-000	1	CONTROL PANEL FRAME WITH KEY UNIT (VMOC206SE)
2	028849-000	1	CONTROL PANEL FRAME WITH KEY UNIT (VMOC206IB)
2	028850-000	1	CONTROL PANEL FRAME WITH KEY UNIT (VMOC206PM)
2	028851-000	1	CONTROL PANEL FRAME WITH KEY UNIT (VMOC206RR)
2	028852-000	1	CONTROL PANEL FRAME WITH KEY UNIT (VMOC206AR)
2	028853-000	1	CONTROL PANEL FRAME WITH KEY UNIT (VMOC206PL)
2	028854-000	1	CONTROL PANEL FRAME WITH KEY UNIT (VMOC206CH)
3	PM120021	1	USER CAUTION LABEL
4	PM100052	1	CONTROL UNIT
5	004871-000	3	SCREW : 4MM X 12MM
6	PM110028	1	CONTROL PANEL BACK PLATE
7	PM120146	3	SCREW : 4MM X 12MM
8	PM120146	21	SCREW : 4MM X 12MM
9	PM120045	1	OPEN LEVER
10	PM120046	1	OPEN SHAFT
11	UNSERVICEABLE	1	OVEN CAVITY, ASM 36
12	PM120044	1	OPEN BUTTON SPRING
13	028855-000	1	OPEN BUTTON
14	PM120033	1	SCREW ; CONTROL PANEL MTG.



Ref #	Part Number	Qty.	Description
1	028856-000	1	HEATER UNIT ASSEMBLY
2	PM110048	1	OVEN HINGE (UPPER)
3	028857-000	1	DOOR FRAME ASSEMBLY (VMOC206PM)
4	028858-000	6	DOOR FRAME ASSEMBLY (VMOC206PL)
5	028859-000	2	CUSHION
6	028860-000	2	SCREW; 3MM X 8MM
7	PM120052	1	STEAM DUCT ASSEMBLY
8	028861-000	1	GLASS MOUNTING PLATE
9	PM110040	1	LIGHT GLASS
10	PM120146	21	SCREW : 4MM X 12MM
11	028862-000	1	CHASSIS SUPPOT
12	028863-000	6	DOOR FRAME ASSEMBLY (VMOC206CH)
13	028864-000	1	AIR GUIDE (RIGHT)
14	PM110051	1	THERMAL PROTECTION SHEET
15	028865-000	6	SCREW; 4MM X 8MM
16	PM110046	1	FAN BLADE
17	PM120059	1	COOLING FAN DUCT
18	028866-000	3	SCREW; 3MM X 8MM
19	028867-000	1	MAGNETRON AIR GUIDE
20	028868-000	1	CUSHION
21	PM110042	1	THERMAL PROTECTION PLATE (RIGHT)
22	028869-000	1	DAMPER SHAFT
23	028870-000	1	DAMPER DUCT
24	028871-000	1	DAMPER DOOR ASS?Y
25	PM120061	1	DAMPER DUCT CUSHION
26	PM120053	1	DAMPER CAM
27	PM120062	1	CUSHION
28	028872-000	2	CUSHION
29	PM120060	2	CUSHION
30	028873-000	1	THERMAL PROTECTION SHEET (RIGHT)
31	028874-000	1	CUSHION
32	028875-000	1	AIR GUIDE (BOTTOM)
33	PM120003	2	SCREW
34	PM120076	14	SCREW; 4MM X 10MM
35	028876-000	1	OVEN CAVITY ASSEMBLY (NOT REPLACEABLE)
36	PM110038	1	TURNTABLE COUPLING
37	022474-000	3	SCREW : 4MM X 6MM
38	PM110039	1	WAVEGUIDE COVER
39	PM100033	1	THERMISTOR
40	028877-000	4	SCREW; 3MM X 6MM
41	028878-000	2	LATCH HEAD SPRING
42	PM120004	1	SPECIAL SCREW



Ref #	Part Number	Qty.	Description
1	028716-000	1	DOOR FRAME ASSEMBLY (VMOC206SS)
1	028879-000	1	DOOR FRAME ASSEMBLY (VMOC206BK)
1	028880-000	1	DOOR FRAME ASSEMBLY (VMOC206WH)
1	028881-000	1	DOOR FRAME ASSEMBLY (VMOC206BT)
1	028882-000	1	DOOR FRAME ASSEMBLY (VMOC206SG)
1	028883-000	1	DOOR FRAME ASSEMBLY (VMOC206GG)
1	028884-000	1	DOOR FRAME ASSEMBLY (VMOC206BU)
1	028885-000	1	DOOR FRAME ASSEMBLY (VMOC206LE)
1	028886-000	1	DOOR FRAME ASSEMBLY (VMOC206MJ)
1	028887-000	1	DOOR FRAME ASSEMBLY (VMOC206MS)
1	028888-000	1	DOOR FRAME ASSEMBLY (VMOC206VB)
1	028889-000	1	DOOR FRAME ASSEMBLY (VMOC206CB)
1	028890-000	1	DOOR FRAME ASSEMBLY (VMOC206TP)
1	028891-000	1	DOOR FRAME ASSEMBLY (VMOC206OG)
1	028893-000	1	DOOR FRAME ASSEMBLY (VMOC206CW)
1	028894-000	1	DOOR FRAME ASSEMBLY (VMOC206GM)
1	028895-000	1	DOOR FRAME ASSEMBLY (VMOC206SA)
1	028896-000	1	DOOR FRAME ASSEMBLY (VMOC206SE)
1	028897-000	1	DOOR FRAME ASSEMBLY (VMOC206IB)
1	028802-000	1	DOOR FRAME ASSEMBLY (VMOC206PM)
1	028824-000	1	DOOR FRAME ASSEMBLY (VMOC206RR)
1	028857-000	1	DOOR FRAME ASSEMBLY (VMOC206PM)
1	028858-000	1	DOOR FRAME ASSEMBLY (VMOC206PL)
1	028863-000	1	DOOR FRAME ASSEMBLY (VMOC206CH)
2	PM110062	1	THERMAL PLATE U
3	022271-000	6	SCREW : 4MM X 8MM
4	028865-000	1	SCREW; 4MM X 8MM
5	PM110054	1	DOOR PANEL
6	028866-000	12	SCREW; 3MM X 8MM
7	PM110055	1	CHOKE COVER
8	000389-000	1	LATCH HEAD
9	028878-000	1	LATCH HEAD SPRING
10	PM110056	1	LATCH ANGLE
11	PM110063	1	THERMAL PLATE R
12	PM120033	3	SCREW ; CONTROL PANEL MTG.



Ref #	Part Number	Qty.	Description
1	PM110031	1	TURNTABLE TRAY
2	PM110030	1	TURNTABLE SUPPORT
3	PM100059	1	THERMISTOR HARNESS
4	PM100061	1	HIGH VOLTAGE WIRE B
5	028797-000	1	CORD HOLDER
6	028798-000	1	GROUNDING WIRE (COOLING FAN MOTOR)
7	028799-000	1	MAIN WIRE HARNESS
8	PM110058	1	HIGH RACK (BAKING RACK)
9	PM110057	1	LOW RACK (BROILING TRIVET)
NI	049104-000	1	CONVECTION MW TURNTABLE PLATE O-RING KIT