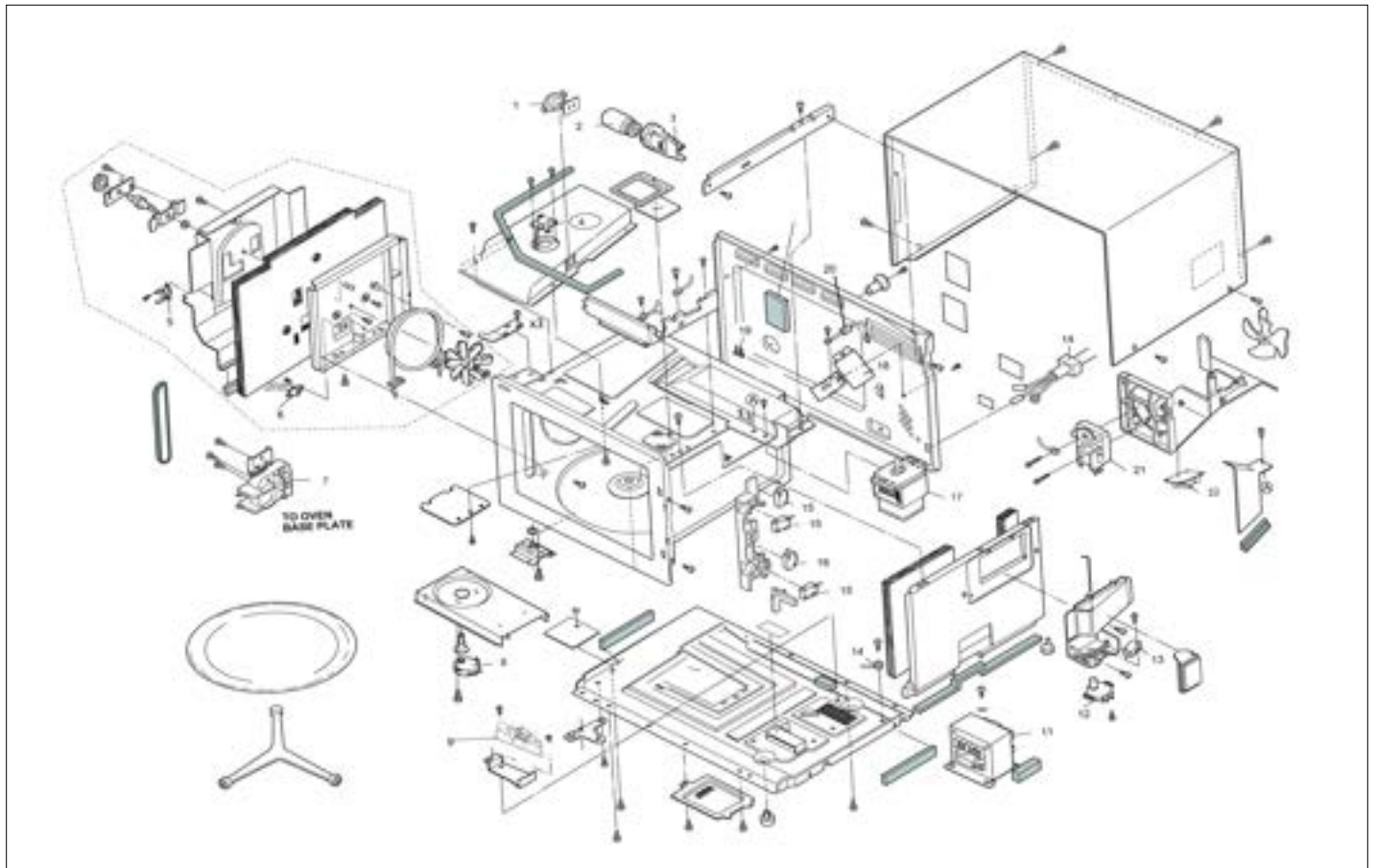


# **VMOC506SS**

VMOC506SS Electrical Parts .....	1
VMOC506SS Cabinet Parts .....	2
VMOC506SS Oven Parts .....	3
VMOC506SS Miscellaneous .....	4
VMOC506SS Door .....	5
VMOC506SS Control Panel .....	6
Appendix A:Pages Index .....	A
Appendix B:Parts Index .....	B

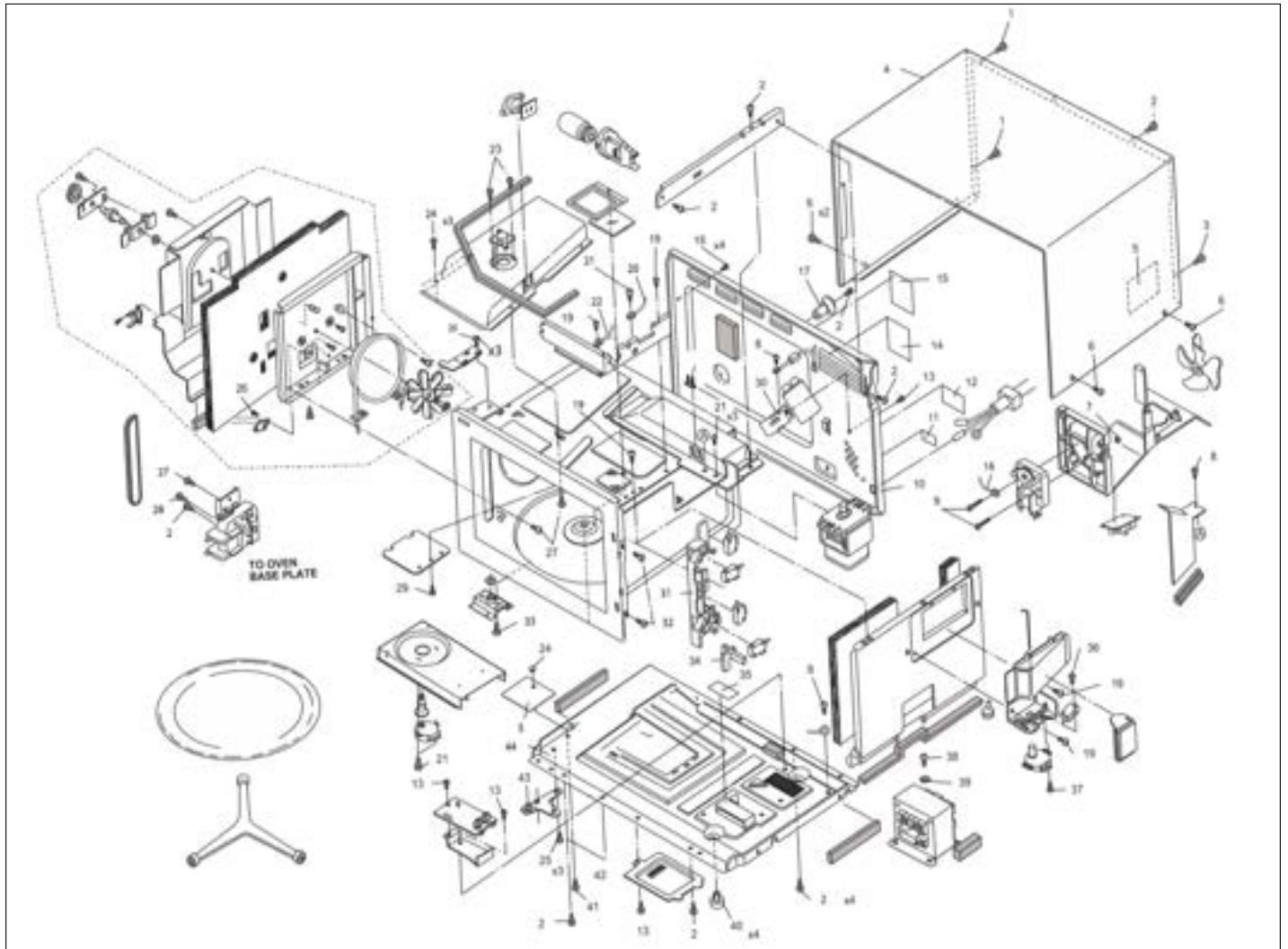
VMOC506SS Electrical Parts





Item	Part No.	Name	Qty	Uom	NOTES
1	028812-000	OVEN & CONVECTION THERMAL CUT-OUT 150 C	1	EA	
2	028811-000	OVEN LAMP	1	EA	
3	PM100039	OVEN LAMP SOCKET	1	EA	
4	066277-000	AH sensor assembly	1	EA	
5	028812-000	OVEN & CONVECTION THERMAL CUT-OUT 150 C	1	EA	
6	066276-000	Thermistor	1	EA	
7	065289-000	Convection motor	1	EA	
8	065285-000	Turntable motor	1	EA	
9	070510-000	Noise filter	1	EA	
11	065287-000	Power transformer	1	EA	
12	022389-000	DAMPER MOTOR	1	EA	
13	062583-000	SECONDARY/THIRD/STOP SWITCH	1	EA	
14	PM100029	POWER SUPPLY CORD	1	EA	
15	062583-000	SECONDARY/THIRD/STOP SWITCH	3	EA	
16	063005-000	SWITCH	1	EA	
17	065286-000	Magnetron	1	EA	
18	PM100044	H.V. CAPACITOR (INTERCHANGEABLE)	1	EA	
19	028808-000	C/T FUSE	1	EA	
20	PM100045	H.V. RECTIFIER ASSEMBLY	1	EA	
21	PM100041	FAN MOTOR	1	EA	
22	063772-000	SWITCHING POWER SUPPLY	1	EA	

VMOC506SS Cabinet Parts





Item	Part No.	Name	Qty	Uom	NOTES
1	PM120005	SCREW	2	EA	
2	PM120030	SCREW, XOTSD40P12000	21	EA	
3	PM120030	SCREW, XOTSD40P12000	1	EA	
4	065357-000	Outer case cabinet	1	EA	
5	028831-000	CSA BARRIER	1	EA	
6	PM120030	SCREW, XOTSD40P12000	4	EA	
7	028821-000	NUT; 4MM X 3.2MM	2	EA	Not available online / Call for pricing and availability
8	028819-000	SCREW; 4MM X 8MM	3	EA	Not available online / Call for pricing and availability
9	028816-000	SCREW; 4MM X 25MM	2	EA	Not available online / Call for pricing and availability
10	N/A	Rear cabinet (Not Replaceable)	1	EA	
11	065304-000	UL screw label	1	EA	
12	PM120073	LABEL	1	EA	NO LONGER AVAILABLE, Not available online / Call for pricing and availability
13	PM120148	SCREW : 3MM X 14MM	4	EA	NO LONGER AVAILABLE, Not available online / Call for pricing and availability
14	022237-000	NHW CAUTION LABEL	1	EA	Not available online / Call for pricing and availability
15	065225-000	DHHS/Screw caution label	1	EA	
16	PM100062	GROUNDING WIRE (COOLING FAN MOTOR)	1	EA	
17	028797-000	CORD HOLDER	1	EA	Not available online / Call for pricing and availability
18	028823-000	SCREW; 4MM X 8MM	7	EA	Not available online / Call for pricing and availability



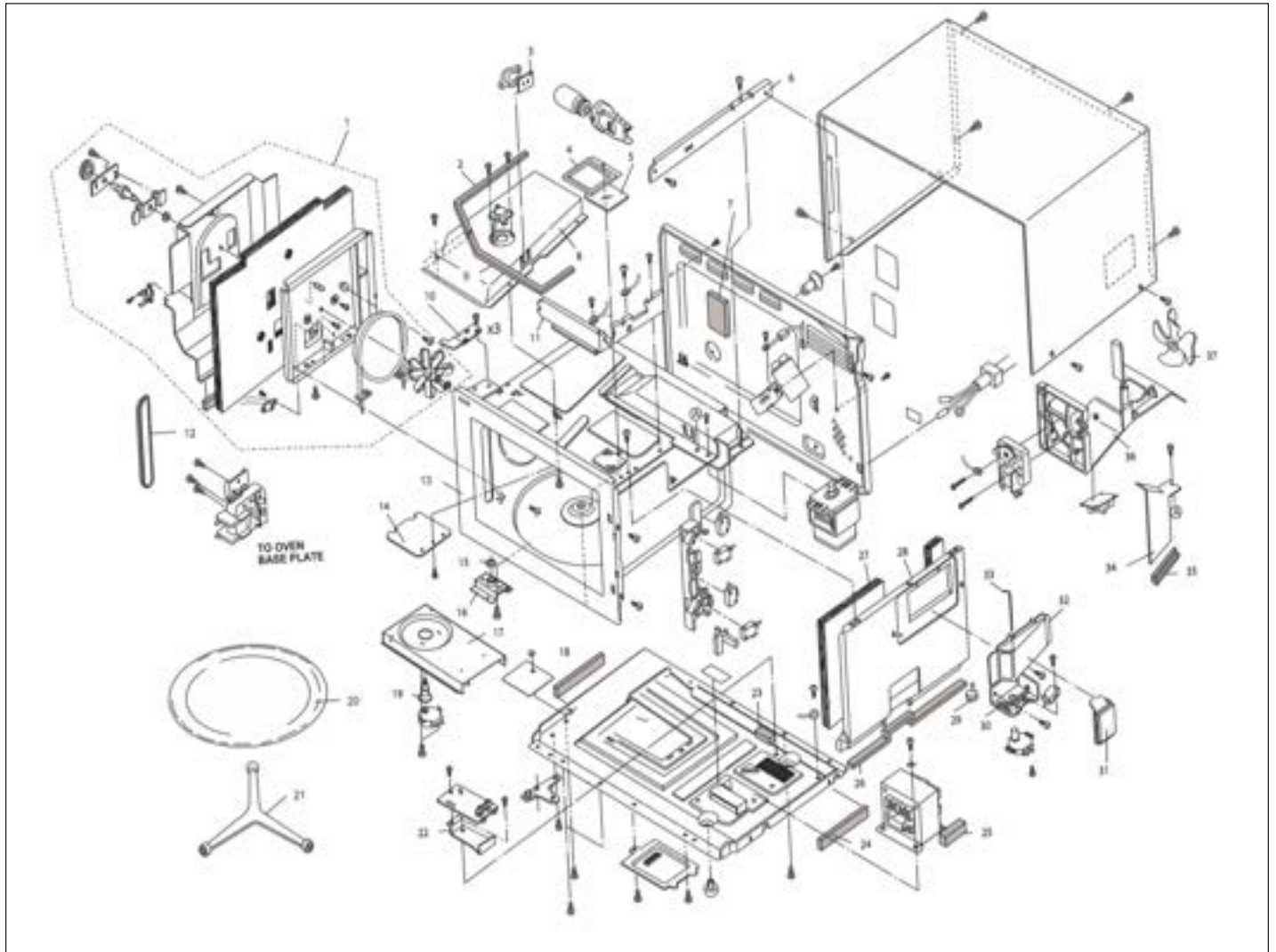
Item	Part No.	Name	Qty	Uom	NOTES
19	028804-000	SCREW; 4MM x 8MM	6	EA	Not available online / Call for pricing and availability
20	PM100062	GROUNDING WIRE (COOLING FAN MOTOR)	1	EA	
21	028818-000	SCREW; 4MM X 8MM	6	EA	Not available online / Call for pricing and availability
22	066280-000	Main wire harness	1	EA	
23	028860-000	SCREW; 3MM X 8MM	2	EA	Not available online / Call for pricing and availability
24	028832-000	SPECIAL NUT	1	EA	Not available online / Call for pricing and availability
25	028829-000	SPECIAL SCREW	6	EA	Not available online / Call for pricing and availability
26	PM120092	SCREW: 3MM X 6MM	4	EA	
27	PM120076	SCREW; 4MM X 10MM	14	EA	NO LONGER AVAILABLE
28	036968-000	SCREW; 4MM X 6MM	1	EA	
29	022474-000	SCREW : 4MM X 6MM	3	EA	
30	PM100051	CAPACITOR HOLDER	1	EA	
31	PM120042	LATCH HOOK	1	EA	
32	PM120003	SCREW	2	EA	
33	028721-000	SCREW	1	EA	
34	PM120043	SWITCH LEVER (MLEVPA231WRF0)	1	EA	
35	PM120069	Monitor caution label	1	EA	
36	028815-000	SCREW; 3MM X 14MM	1	EA	Not available online / Call for pricing and availability
37	028817-000	SCREW; 3MM X 6MM	3	EA	Not available online / Call for pricing and availability
38	028820-000	SCREW; 6MM X 14MM	2	EA	



Item	Part No.	Name	Qty	Uom	NOTES
39	028822-000	WASHER; 6MM X 0.7 MM	1	EA	Not available online / Call for pricing and availability
40	PM110023	FOOT	4	EA	
41	028828-000	SCREW; 4MM X 6MM	1	EA	Not available online / Call for pricing and availability
42	PM110025	TURNTABLE MOTOR COVER	1	EA	
43	PM110024	OVEN HINGE (LOWER)	1	EA	
44	N/A	Base cabinet (Not Replaceable)	1	EA	



VMOC506SS Oven Parts



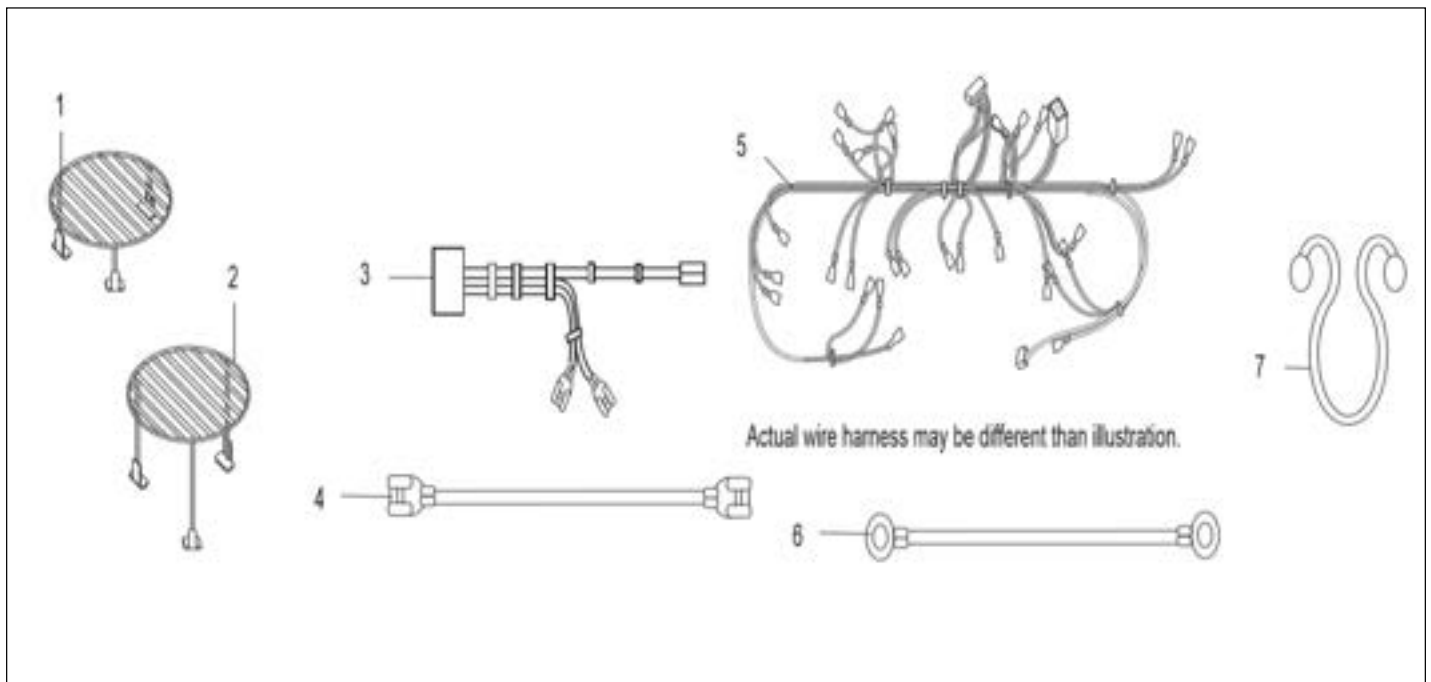


Item	Part No.	Name	Qty	Uom	NOTES
1	028856-000	HEATER UNIT ASSEMBLY	1	EA	
2	PM120058	CUSHION	2	EA	NO LONGER AVAILABLE, Not available online / Call for pricing and availability
3	PM110052	THERMO COVER	1	EA	NO LONGER AVAILABLE, Not available online / Call for pricing and availability
4	028861-000	GLASS MOUNTING PLATE	1	EA	Not available online / Call for pricing and availability
5	PM110040	LIGHT GLASS	1	EA	NO LONGER AVAILABLE
6	PM110047	CHASSIS SUPPORT	1	EA	NO LONGER AVAILABLE, Not available online / Call for pricing and availability
7	PM110051	THERMAL PROTECTION SHEET	1	EA	NO LONGER AVAILABLE
8	PM120052	STEAM DUCT ASSEMBLY	1	EA	NO LONGER AVAILABLE, Not available online / Call for pricing and availability
9	PM110047	CHASSIS SUPPORT	1	EA	NO LONGER AVAILABLE, Not available online / Call for pricing and availability
10	PM110048	OVEN HINGE (UPPER)	1	EA	
11	028864-000	AIR GUIDE (RIGHT)	1	EA	Not available online / Call for pricing and availability
12	PM110049	CONVECTION FAN BELT	1	EA	
13	N/A	Oven cavity assembly (Not Replaceable)	1	EA	
14	PM110039	WAVEGUIDE COVER	1	EA	
15	022306-000	SILCON PACKING	1	EA	
16	064846-000	TURNTABLE MOUNTING ANGLE	1	EA	
17	065298-000	Air guide (Bottom)	1	EA	



Item	Part No.	Name	Qty	Uom	NOTES
18	PM120060	CUSHION	1	EA	NO LONGER AVAILABLE
19	065297-000	Turntable coupling	1	EA	
20	065296-000	Turntable tray	1	EA	
21	065295-000	Turntable support	1	EA	
22	028803-000	NOISE UNIT ANGLE	1	EA	Not available online / Call for pricing and availability
23	PM120057	CUSHION	1	EA	
24	PM120060	CUSHION	1	EA	NO LONGER AVAILABLE
25	PM120062	CUSHION	1	EA	NO LONGER AVAILABLE
26	028872-000	CUSHION	2	EA	Not available online / Call for pricing and availability
27	028873-000	THERMAL PROTECTION SHEET (RIGHT)	1	EA	Not available online / Call for pricing and availability
28	PM110042	THERMAL PROTECTION PLATE (RIGHT)	1	EA	NO LONGER AVAILABLE
29	PM120053	DAMPER CAM	1	EA	
30	PM120061	DAMPER DUCT CUSHION	1	EA	NO LONGER AVAILABLE
31	PM120055	DAMPER DOOR ASSY	1	EA	
32	PM120056	DAMPER DUCT	1	EA	
33	PM120054	DAMPER SHAFT	1	EA	
34	PM110050	MAGNETRON AIR GUIDE	1	EA	NO LONGER AVAILABLE, Not available online / Call for pricing and availability
35	028868-000	CUSHION	1	EA	Not available online / Call for pricing and availability
36	065299-000	Cooling fan duct	1	EA	
37	PM110046	FAN BLADE	1	EA	

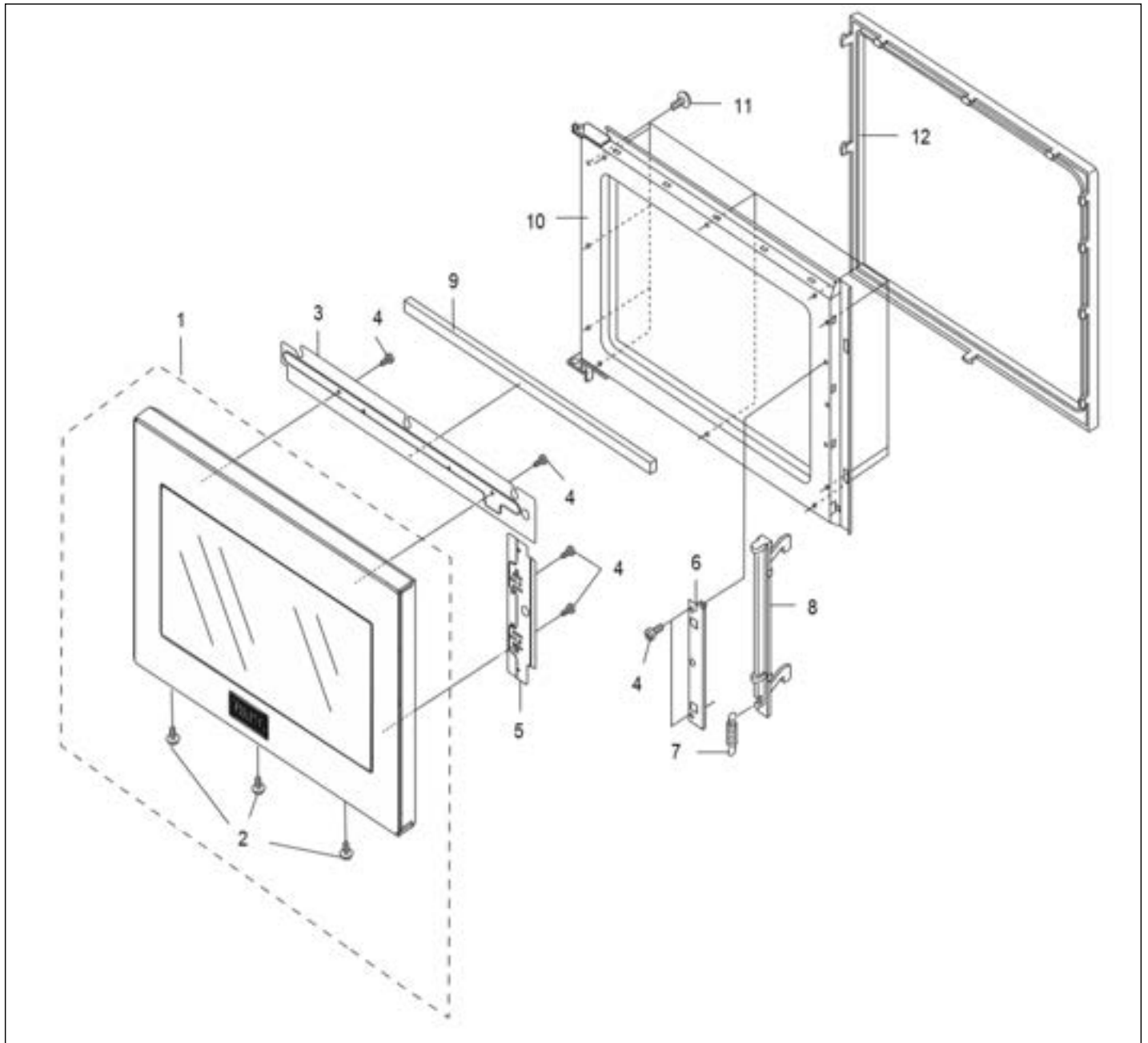
VMOC506SS Miscellaneous





Item	Part No.	Name	Qty	Uom	NOTES
1	065301-000	Low rack (Broiling trivet)	1	EA	
2	065302-000	High rack (Baking rack)	1	EA	
3	066279-000	Thermistor harness	1	EA	
4	PM100061	HIGH VOLTAGE WIRE B	1	EA	NO LONGER AVAILABLE
5	066280-000	Main wire harness	1	EA	
6	PM100062	GROUNDING WIRE (COOLING FAN MOTOR)	1	EA	
7	028797-000	CORD HOLDER	1	EA	Not available online / Call for pricing and availability

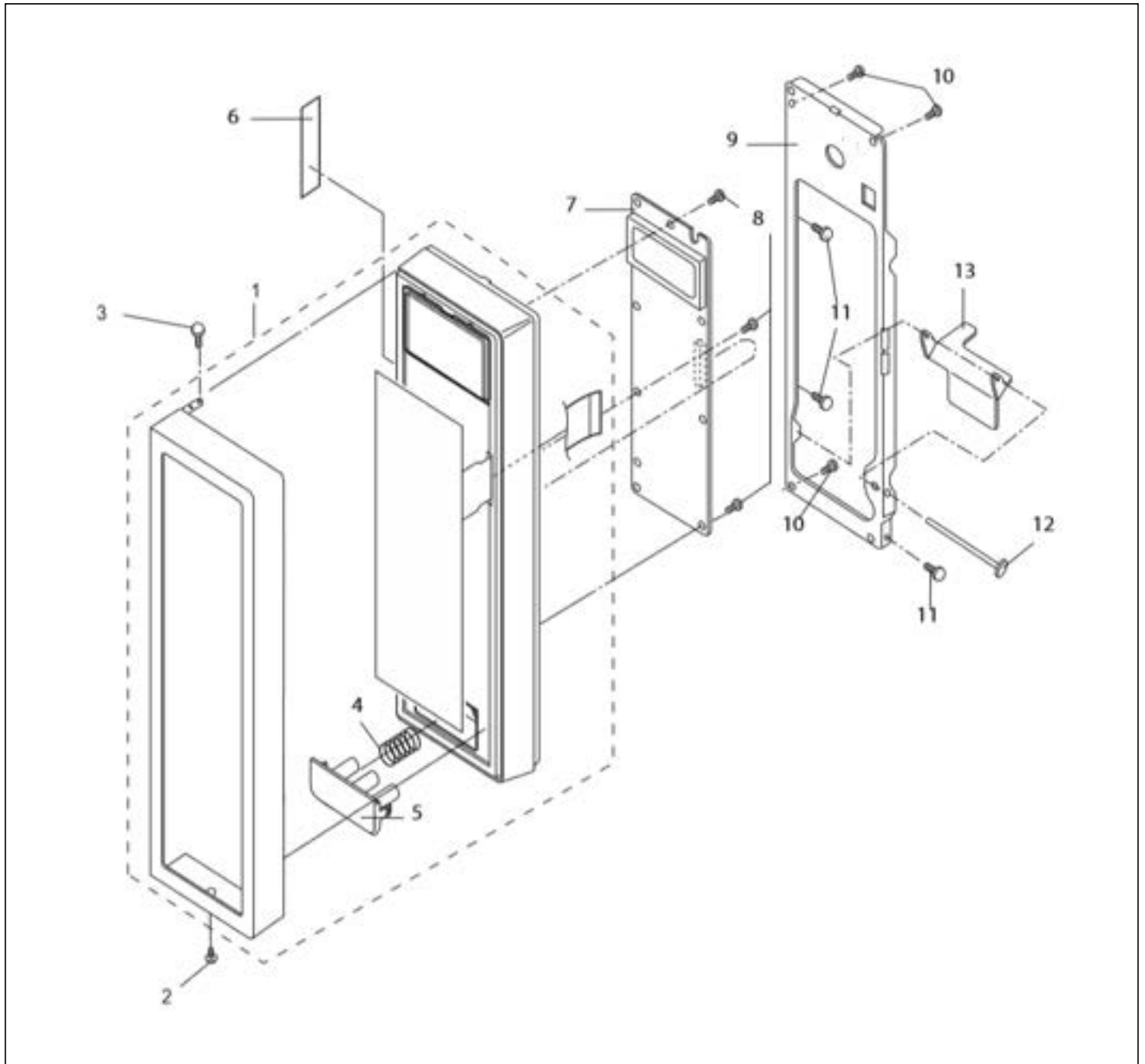
VMOC506SS Door





Item	Part No.	Name	Qty	Uom	NOTES
1	070260-000	Door frame assembly	1	EA	
2	PM120033	SCREW ; CONTROL PANEL MTG.	3	EA	
3	070261-000	Thermal plate U	1	EA	
4	022271-000	SCREW : 4MM X 8MM	6	EA	
5	070262-000	Thermal plate R	1	EA	
6	PM110056	LATCH ANGLE	1	EA	
7	028878-000	LATCH HEAD SPRING	1	EA	
8	000389-000	LATCH HEAD	1	EA	
9	028865-000	CUSHION	1	EA	Not available online / Call for pricing and availability
10	PM110054	DOOR PANEL	1	EA	
11	028866-000	SCREW; 3MM X 8MM	12	EA	Not available online / Call for pricing and availability
12	PM110055	CHOKE COVER	1	EA	

VMOC506SS Control Panel







Item	Part No.	Name	Qty	Uom	NOTES
1	070259-000	Control panel frame with key unit	1	EA	
2	PM120033	SCREW ; CONTROL PANEL MTG.	1	EA	
3	063188-000	SCREW	1	EA	
4	PM120044	OPEN BUTTON SPRING	1	EA	
5	PM110027	OPEN BUTTON	1	EA	
6	PM120021	USER CAUTION LABEL	1	EA	NO LONGER AVAILABLE
7	066278-000	CONTROL UNIT	1	EA	
8	022262-000	SCREW; 3MM X 10MM	3	EA	
9	PM110028	CONTROL PANEL BACK PLATE	1	EA	
10	PM120030	SCREW, XOTSD40P12000	3	EA	
11	PM120030	SCREW, XOTSD40P12000	3	EA	
12	PM120046	OPEN SHAFT	1	EA	
13	PM120045	OPEN LEVER	1	EA	



Appendix A:Pages Index

VMOC506SS Cabinet Parts ..... 2  
VMOC506SS Control Panel ..... 6  
VMOC506SS Door ..... 5  
VMOC506SS Electrical Parts ..... 1  
VMOC506SS Miscellaneous ..... 4  
VMOC506SS Oven Parts ..... 3



Appendix B:Parts Index

000389-000	5	063188-000	6
022237-000	2	063772-000	1
022262-000	6	064846-000	3
022271-000	5	065225-000	2
022306-000	3	065285-000	1
022389-000	1	065286-000	1
022474-000	2	065287-000	1
028721-000	2	065289-000	1
028797-000	2, 4	065295-000	3
028803-000	3	065296-000	3
028804-000	2	065297-000	3
028808-000	1	065298-000	3
028811-000	1	065299-000	3
028812-000	1, 1	065301-000	4
028815-000	2	065302-000	4
028816-000	2	065304-000	2
028817-000	2	065357-000	2
028818-000	2	066276-000	1
028819-000	2	066277-000	1
028820-000	2	066278-000	6
028821-000	2	066279-000	4
028822-000	2	066280-000	2, 4
028823-000	2	070259-000	6
028828-000	2	070260-000	5
028829-000	2	070261-000	5
028831-000	2	070262-000	5
028832-000	2	070510-000	1
028856-000	3	PM100029	1
028860-000	2	PM100039	1
028861-000	3	PM100041	1
028864-000	3	PM100044	1
028865-000	5	PM100045	1
028866-000	5	PM100051	2
028868-000	3	PM100061	4
028872-000	3	PM100062	2, 2, 4
028873-000	3	PM110023	2
028878-000	5	PM110024	2
036968-000	2	PM110025	2
062583-000	1, 1	PM110027	6
063005-000	1	PM110028	6
		PM110039	3



PM110040 ..... 3  
PM110042 ..... 3  
PM110046 ..... 3  
PM110047 ..... 3, 3  
PM110048 ..... 3  
PM110049 ..... 3  
PM110050 ..... 3  
PM110051 ..... 3  
PM110052 ..... 3  
PM110054 ..... 5  
PM110055 ..... 5  
PM110056 ..... 5  
PM120003 ..... 2  
PM120005 ..... 2  
PM120021 ..... 6  
PM120030 ..... 2, 2, 2, 6, 6  
PM120033 ..... 5, 6  
PM120042 ..... 2  
PM120043 ..... 2  
PM120044 ..... 6  
PM120045 ..... 6  
PM120046 ..... 6  
PM120052 ..... 3  
PM120053 ..... 3  
PM120054 ..... 3  
PM120055 ..... 3  
PM120056 ..... 3  
PM120057 ..... 3  
PM120058 ..... 3  
PM120060 ..... 3, 3  
PM120061 ..... 3  
PM120062 ..... 3  
PM120069 ..... 2  
PM120073 ..... 2  
PM120076 ..... 2  
PM120092 ..... 2  
PM120148 ..... 2