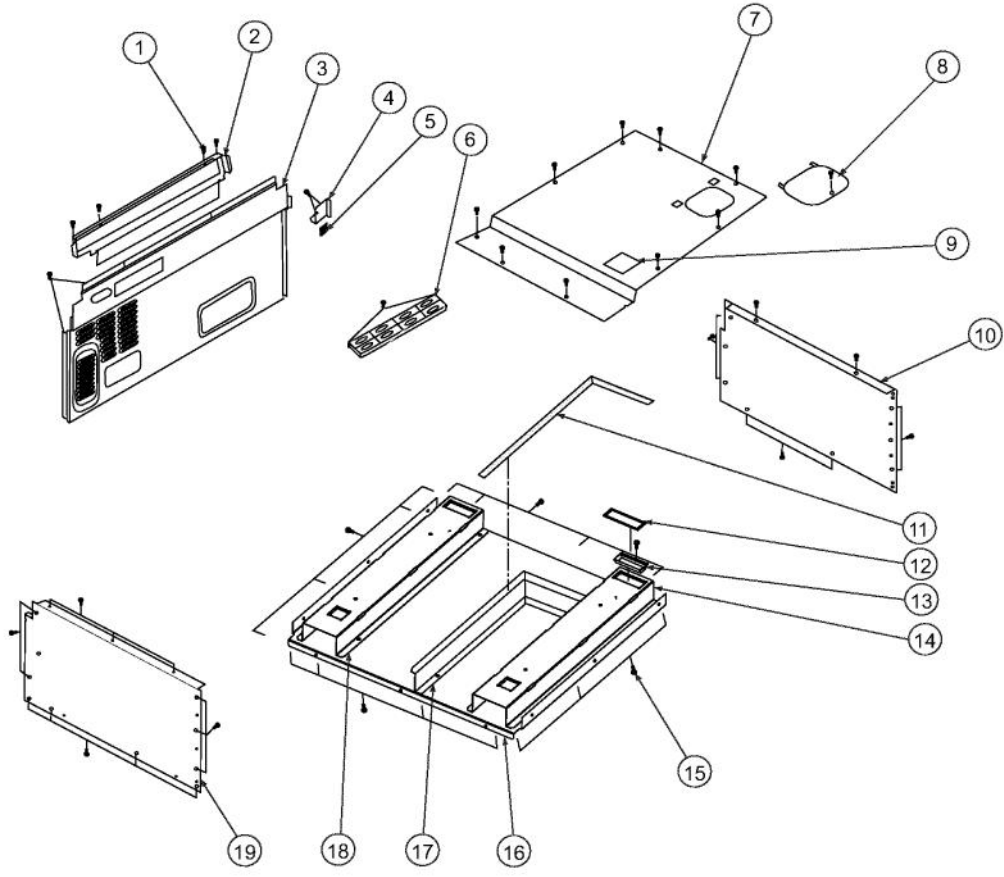
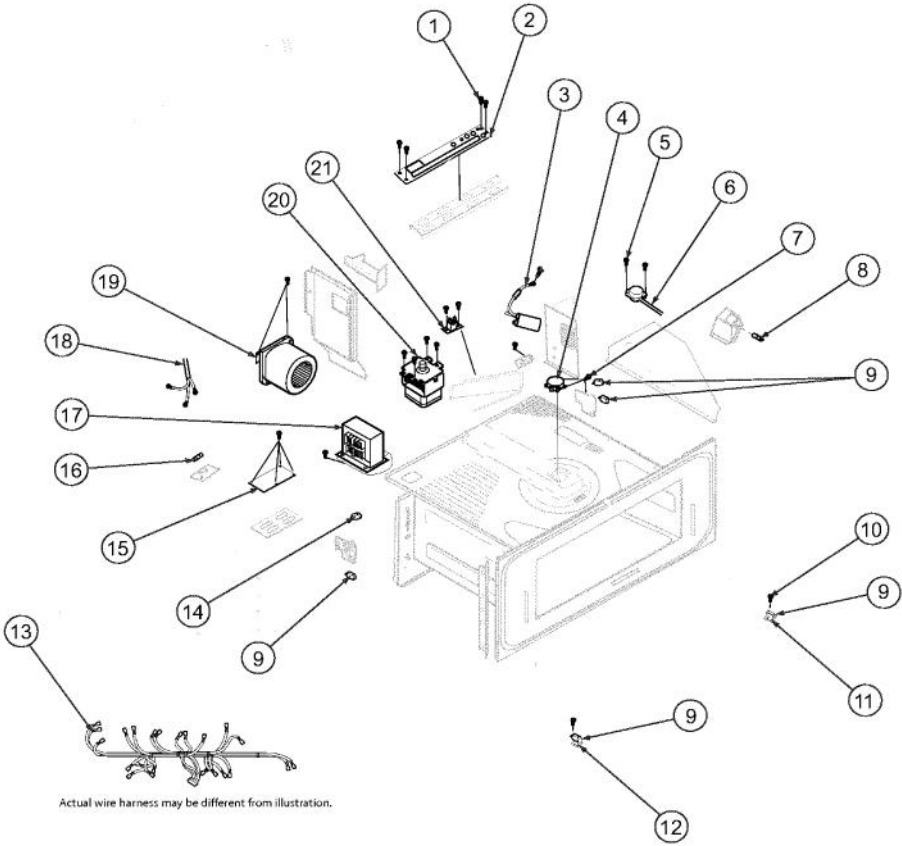


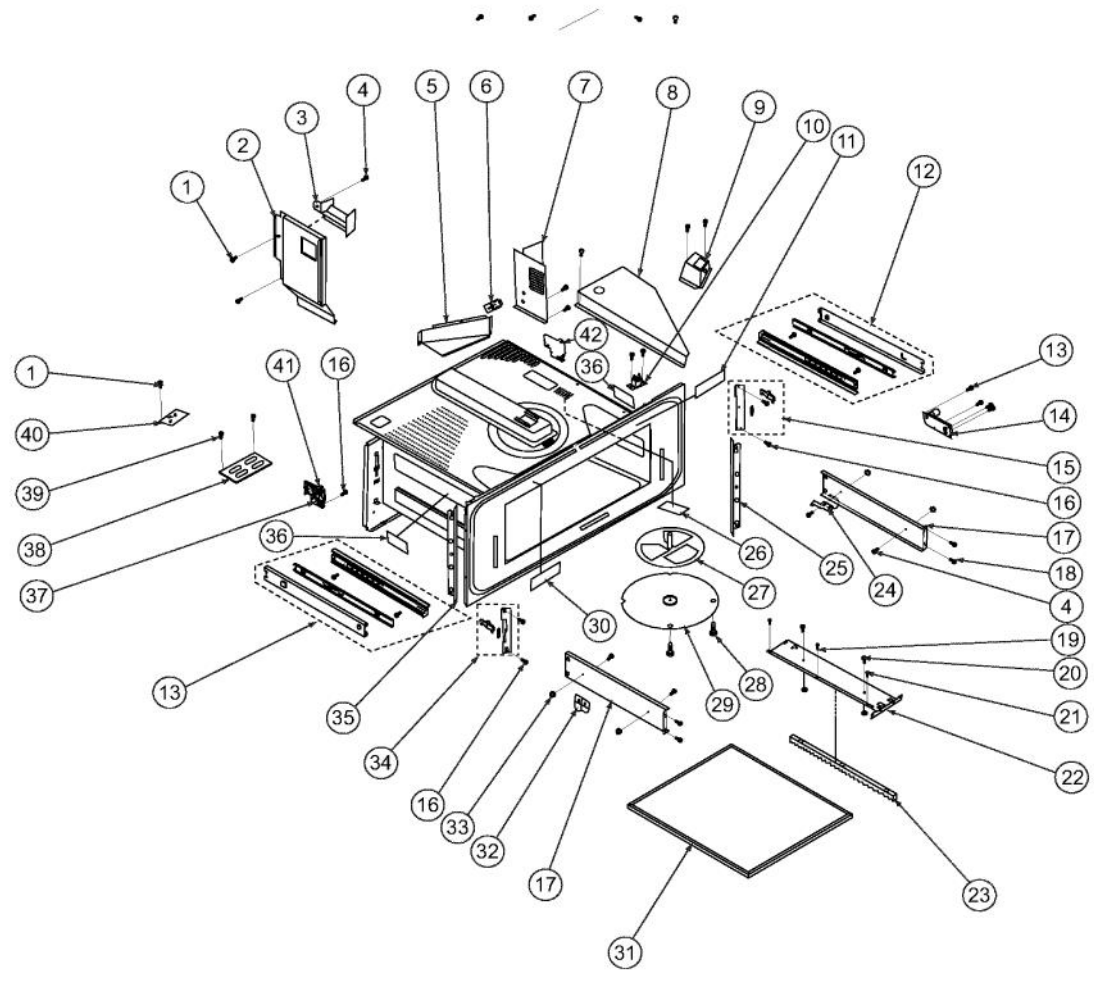
Ref #	Part Number	Qty.	Description
1	011843-000	5	SCREW : 4MM X 12MM
2	011844-000	1	CONTROL PANEL COVER
3	011900-000	5	SCREW : 4MM X 8MM
4	011846-000	1	CONTROL UNIT
5	011847-000	1	CONTROL PANEL ANGLE
6	011849-000	1	MOISTURE SEAL GASKET
7	011853-000	1	C/P FRAME ASSY
8	011854-000	1	SPRING
9	011857-000	1	KEY UNIT
10	011860-000	1	CONTROL PANEL DECO - HDECAB542MRP0
11	011855-000	5	DECO SCREW
12	011859-000	1	CONTROL PANEL J-MOLD



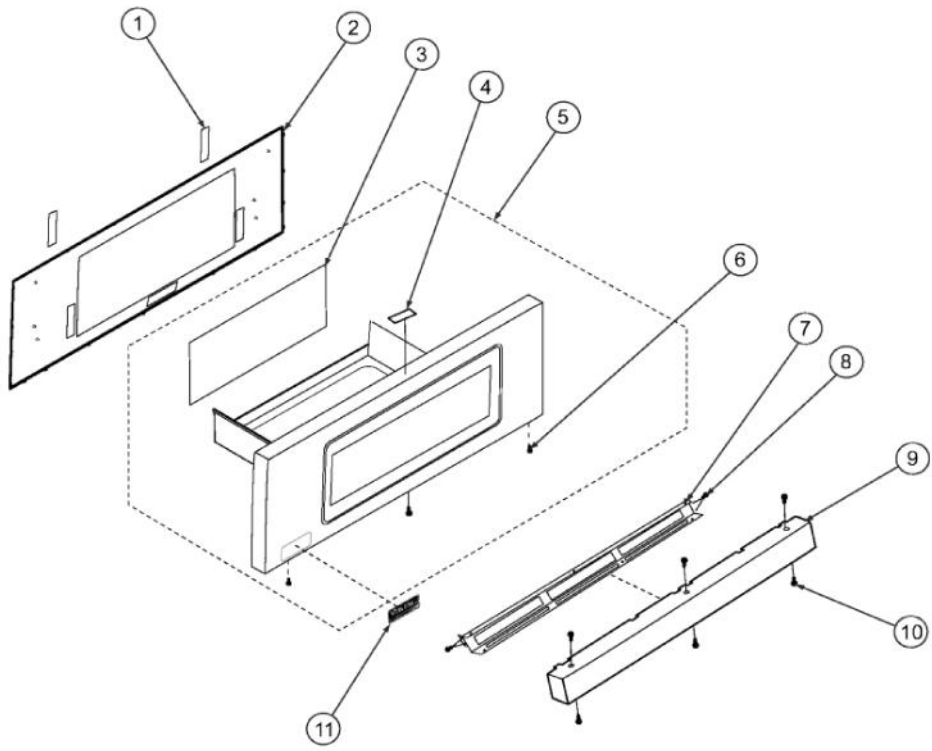
Ref #	Part Number	Qty.	Description
1	011843-000	79	SCREW : 4MM X 12MM
2	011867-000	1	EXHAUST DUCT A
3	011870-000	1	BACK PLATE
4	011868-000	1	AIR COVER
5	011869-000	1	CUSHION
6	011871-000	1	SWITCH PSU HOLDER
7	011873-000	1	TOP COVER
8	011874-000	1	COVER
9	011872-000	1	SCHEMATIC
10	011875-000	1	SIDE CABINET - RH
11	011876-000	1	BOTTOM CUSHION A
12	011878-000	1	BOTTOM CUSHION B
13	011879-000	1	EXHAUST GUIDE
14	011880-000	1	AIR GUIDE - RH
15	011843-000	14	SCREW : 4MM X 12MM
16	011881-000	1	BOTTOM COVER
17	011883-000	1	PARTITION ANGLE
18	011882-000	1	AIR GUIDE - LH
19	011884-000	1	SIDE CABINET - LH



Ref #	Part Number	Qty.	Description
1	011900-000	4	SCREW : 4MM X 8MM
2	011901-000	1	POWER SUPPLY
3	011902-000	1	HVC ASSY
4	011903-000	1	STIRRER MOTOR
5	011898-000	4	SCREW
6	011905-000	1	SENSOR ASSY
7	011904-000	6	SCREW / WASHER
8	011907-000	1	OVEN LAMP/SOCKET
9	011893-000	5	SWITCH
10	011843-000	79	SCREW : 4MM X 12MM
11	011908-000	1	SWITCH ANGLE R
12	011909-000	2	SWITCH ANGLE L
13	011910-000	1	HARNESS ASSY
14	011894-000	1	LATCH HOOK L
15	011892-000	2	POWER SUPPLY
16	N/A	1	HEAT SHIELD - MUST ORDER ITEM NO. 11
17	011896-000	1	TRANSFORMER
18	011888-000	1	POWER SUPPLY CORD
19	011889-000	1	FAN MOTOR
20	011897-000	1	MAGNETRON
21	011899-000	2	THERMAL CUT - OUT
NI	011890-000	1	MONITOR SWITCH (V-16G-2C25) WITH FUSE (20A) ASSEMB...



Ref #	Part Number	Qty.	Description
1	011843-000	79	SCREW : 4MM X 12MM
2	011968-000	1	FAN MOTOR ANGLE
3	011969-000	1	MAGNETRON AIR GUIDE
4	011866-000	4	SCREW : 4MM X 8MM
5	011970-000	1	MAGNETRON DUCT
6	011971-000	1	HVC BAND
7	011972-000	1	EXHAUST DUCT B
8	011974-000	1	SENSOR DUCT
9	011973-000	1	OVEN LAMP ANGLE
10	011899-000	2	THERMAL CUT - OUT
11	011993-000	1	USER CAUTION LABEL (FRENCH)
12	011996-000	3	SLIDE RAIL
13	011898-000	4	SCREW
14	011997-000	1	AUTO DRAWER GEAR ASSY
15	011995-000	1	LATCH ANGLE ASSY R
16	011904-000	6	SCREW / WASHER
17	011998-000	2	DOOR SUPPORT ANGLE A
18	011877-000	4	SCREW
19	012006-000	1	SPECIAL SCREW
20	011898-000	2	SCREW
21	011845-000	2	SCREW : 4MM X 8MM
22	012007-000	1	DOOR SUPPORT ANGLE B
23	012008-000	2	RACK GEAR
24	012000-000	1	ACTUATOR R
25	012001-000	1	SIDE ANGLE R
26	012002-000	1	LAMP FILTER
27	012003-000	1	STIRRER FAN ASSY
28	012005-000	3	CANOE CLIP
29	012004-000	1	STIR COVER ASSY
30	012012-000	1	BIK LABEL
31	012010-000	1	OVEN TRAY ASSY
32	012011-000	1	ACTUATOR L
33	011999-000	6	CAP NUT
34	012013-000	1	LATCH, L
35	012014-000	1	SIDE ANGLE L
36	011992-000	2	MONITOR CAUTION LABEL
37	012016-000	1	SWITCH LEVER L
38	012017-000	1	POWER SUPPLY UNIT HOLDER
39	012018-000	2	POWER UNIT ASSY SCREW
40	012019-000	1	NOISE FILTER UNIT
41	012015-000	1	LATCH HOOK
42	011975-000	1	LATCH HOOK R



Ref #	Part Number	Qty.	Description
1	012020-000	2	DOOR SUPPORT COVER
2	012021-000	1	CHOKE COVER
3	012022-000	1	SEALER FILM
4	012023-000	1	MENU LABEL
5	012024-000	1	DOOR ASSY (PRO DOOR)
6	011855-000	3	DECO SCREW
7	012027-000	1	LOUVER ANGLE
8	011843-000	4	SCREW : 4MM X 12MM
9	013817-000	1	LOUVER
10	011855-000	6	DECO SCREW
11	012026-000	1	BADGE