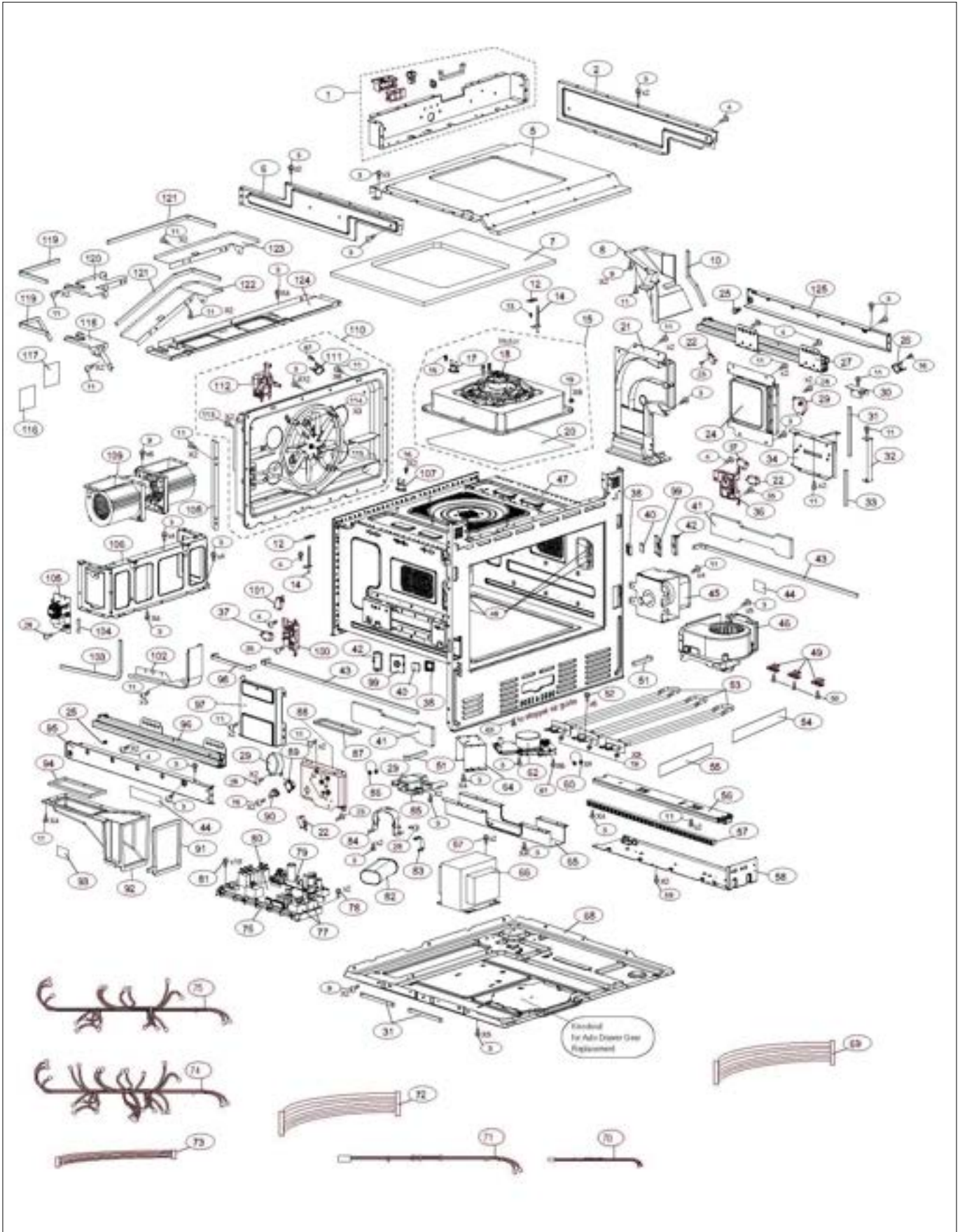


# **VMODC5240SS**

VMODC5240SS DRAWER CAVITY .....	1
VMODC5240SS ACCESSORIES .....	2
VMODC5240SS DRAWER .....	3
VMODC5240SS DRAWER CABINET .....	4
VMODC5240SS CONTROL PANEL .....	5
Appendix A:Pages Index .....	A
Appendix B:Parts Index .....	B

VMODC5240SS DRAWER CAVITY





Item	Part No.	Name	Qty	Uom	NOTES
1	N/A	NON-REPLACABLE PARTS		EA	
2	079771-000	CHASSIS SUPPORT-R	1	EA	
3	PM120159	SCREW	46	EA	
4	063188-000	SCREW	7	EA	
5	079788-000	HEAT COVER UPPER	1	EA	
6	079770-000	CHASSIS SUPPORT-L	1	EA	
7	079794-000	HEAT INSULATION UPPER	1	EA	
8	079781-000	INTAKE DUCT LOWER	1	EA	
9	028765-000	SCREW	14	EA	
10	079807-000	CUSHION-G	1	EA	
11	037123-000	SPECIAL SCREW	61	EA	
12	079786-000	THERMISTOR SPRING	2	EA	
13	079843-000	SCREW	2	EA	
14	079728-000	THERMISTOR	2	EA	
15	079739-000	TOP CONVECTION ASSY	1	EA	
16	028719-000	SCREW : 3MM X 8MM	9	EA	
17	036972-000	THERMAL CUT OUT (CONVECTION)	1	EA	
18	079735-000	CYCLE MOTOR	1	EA	
19	028821-000	NUT; 4MM X 3.2MM	17	EA	Not available online / Call for pricing and availability
20	079789-000	TOP CONV INSULATION	1	EA	
21	079793-000	INTAKE JOINT DUCT	1	EA	
22	062583-000	SECONDARY/THIRD/STOP SWITCH	3	EA	
23	079832-000	SCREW	2	EA	
24	079759-000	INTAKE DAMPER PACKING	1	EA	
25	012005-000	CANOE CLIP	2	EA	
26	079725-000	THERMAL CUT OUT	2	EA	
27	079776-000	SLIDE RAIL R	1	EA	
28	063186-000	SCREW	8	EA	
29	037060-000	TURNTABLE MOTOR (ANTENNA MOTOR)	3	EA	
30	079765-000	MG THERMO TO AG	1	EA	



Item	Part No.	Name	Qty	Uom	NOTES
31	079806-000	CUSHION-F	4	EA	
32	079766-000	MG REFLECTOR	1	EA	
33	079805-000	CUSHION-E	1	EA	
34	079772-000	MG FAN MOUNT AG	1	EA	
35	PM120003	SCREW	2	EA	
36	062625-000	LATCH HOOK R	1	EA	
37	079732-000	INTERLOCK SWITCH	2	EA	
38	079800-000	LAMP GLASS PACKING	2	EA	
40	079799-000	LAMP GLASS	2	EA	
41	079795-000	HEAT INSULATION SIDE	2	EA	
42	079722-000	LED HOLDER ASSY	2	EA	
43	079804-000	CUSHION-D	2	EA	
44	062644-000	USER CAUTION LABEL	1	EA	
45	079723-000	MAGNETRON	1	EA	
46	079724-000	FAN MOTOR ASSY	1	EA	
47	N/A	OVEN ASSY	1	EA	
48	079836-000	SCREW	4	EA	
49	079762-000	HEATER SUPPORT	3	EA	
50	079844-000	SCREW	3	EA	
51	079801-000	CUSHION-A	2	EA	
52	005226-000	SPECIAL SCREW	10	EA	
53	079740-000	GRILL HEATER	3	EA	
54	079797-000	MICROWAVE MENU LABEL	1	EA	
55	079828-000	CONV MENU LABEL	1	EA	
56	079777-000	SLIDE RAIL	1	EA	
57	079778-000	RACK GEAR	1	EA	
58	079769-000	DOOR SUPPORT BOTTOM	1	EA	
59	012006-000	SPECIAL SCREW	3	EA	
60	079791-000	PURSE LOCK L	4	EA	
61	011898-000	SCREW	7	EA	
62	062584-000	AUTO DRAWER GEAR ASSY	1	EA	
63	079835-000	SCREW	1	EA	
64	079761-000	DRIVE GEAR MOUNT AG	1	EA	

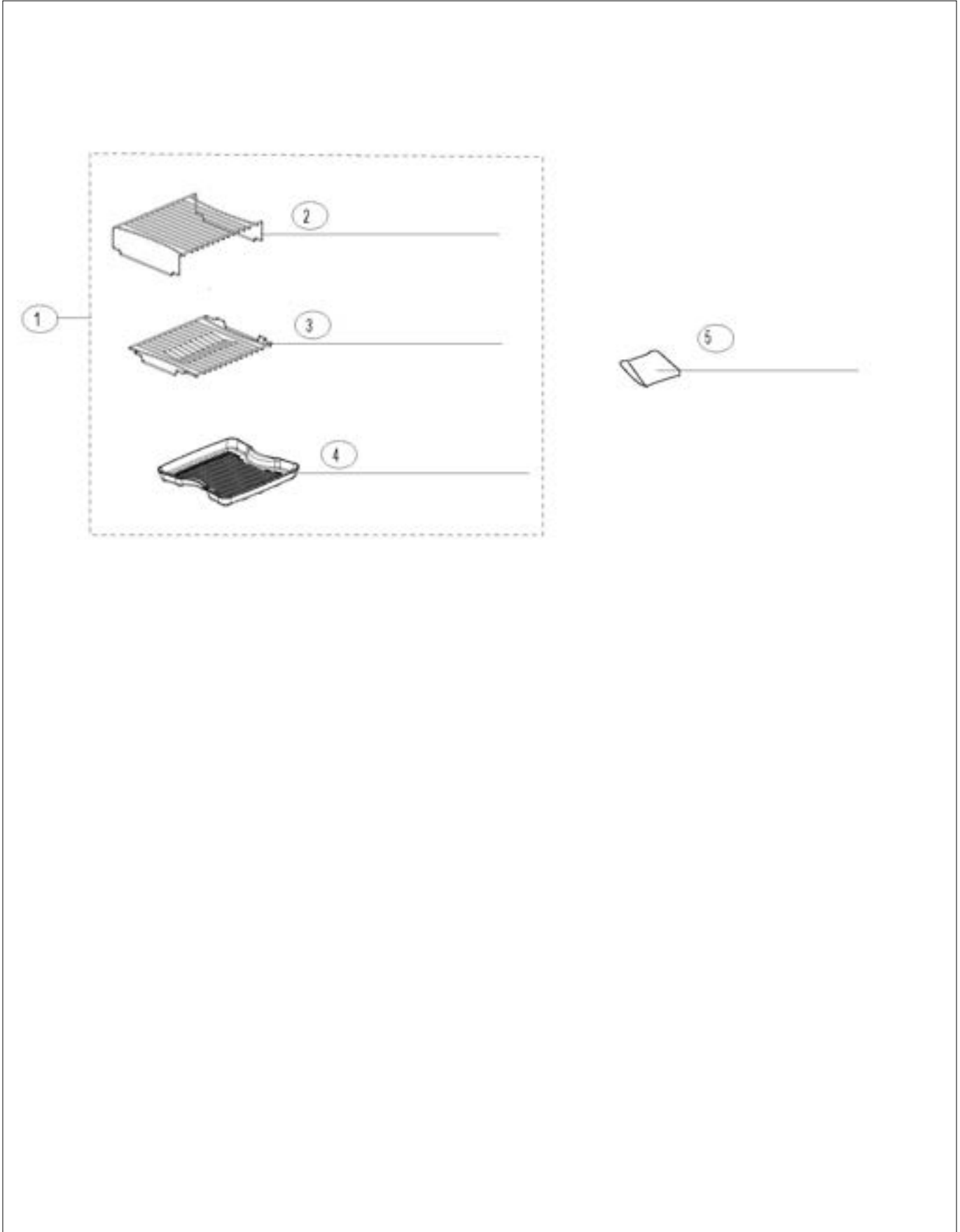


Item	Part No.	Name	Qty	Uom	NOTES
65	079787-000	SLIDE MOUNT AG BOTTOM	1	EA	
66	079720-000	HV TRANSFORMER	1	EA	
67	079841-000	SCREW	2	EA	
68	079748-000	BOTTOM PLATE	1	EA	
69	079729-000	MOTOR HARNESS	1	EA	
70	079742-000	LED HARNESS	1	EA	
71	079733-000	TTM HARNESS	1	EA	
72	079745-000	CPU HARNESS	1	EA	
73	079741-000	SENSOR HARNESS	1	EA	
74	079743-000	MAIN HARNESS	1	EA	
75	079744-000	CONTROL HARNESS	1	EA	
76	079796-000	PSU HOLDER	1	EA	
77	079731-000	RELAY	2	EA	
78	037170-000	SCREW, 4MM X 8MM	2	EA	
79	062576-000	SW PSU	1	EA	
80	079719-000	PSU UNIT	1	EA	
81	063181-000	SCREW	12	EA	
82	079717-000	HV CAPACITOR	1	EA	
83	079718-000	H.V RECTIFIER	1	EA	
84	079774-000	HVC BAND	1	EA	
85	079721-000	TT MOTOR ASSY	1	EA	
86	079790-000	PURSE LOCK S	1	EA	
87	079803-000	CUSHION-C	1	EA	
88	079760-000	EXHAUST DAMPER PACKING	1	EA	
89	079726-000	SENSOR ASSY	1	EA	
90	079736-000	THERMAL CUTOUT	1	EA	
91	079810-000	CUSHION-K	1	EA	
92	079780-000	EXHAUST DUCT LOWER	1	EA	
93	PM120034	MONITOR CAUTION LABEL	2	EA	
94	079811-000	CUSHION-L	1	EA	
95	079767-000	DOOR SUPPORT AG-L	1	EA	
96	079775-000	SLIDE RAIL L	1	EA	
97	079792-000	EXHAUST DUCT M	1	EA	



Item	Part No.	Name	Qty	Uom	NOTES
98	079802-000	CUSHION-B	1	EA	
99	079798-000	LAMP GLASS COVER	2	EA	
100	062626-000	LATCH HOOK L	1	EA	
101	063005-000	SWITCH	1	EA	
102	079773-000	LED AIR GUIDE	1	EA	
103	079808-000	CUSHION-I	1	EA	
104	063769-000	FUSE 20A	1	EA	
105	075723-000	NOISE FILTER UNIT	1	EA	
106	079779-000	BLOWER FAN DUCT	1	EA	
107	079737-000	THERMAL CUTOUT	1	EA	
108	079763-000	REAR SEPARATE AG	1	EA	
109	079727-000	FAN MOTOR	1	EA	
110	079738-000	REAR CONVECTION ASSY	1	EA	
111	079737-000	THERMAL CUTOUT	1	EA	
112	079734-000	CONVECTION MOTOR	1	EA	
113	005222-000	SCREW	4	EA	Not available online / Call for pricing and availability
114	079834-00	SCREW	3	EA	
115	PM120154	Nut, 4mm X 3.2mm	1	EA	
116	079829-000	SCHEMATIC DIAGRAM	1	EA	
117	062642-000	DHHS/GRD/CAUTION LABEL	1	EA	
118	079784-000	L-REAR AIR GUIDE-B	1	EA	
119	079813-000	CUSHION-N	2	EA	
120	079785-000	L-REAR AIR GUIDE-U	1	EA	
121	079812-000	CUSHION-M	2	EA	
122	079782-000	R-REAR AIR GUIDE-B	1	EA	
123	079783-000	R-REAR AIR GUIDE-U	1	EA	
124	079764-000	BLOWER MOTOR TO-AG	1	EA	
125	079768-000	DOOR SUPPORT AG-R	1	EA	

VMODC5240SS ACCESSORIES

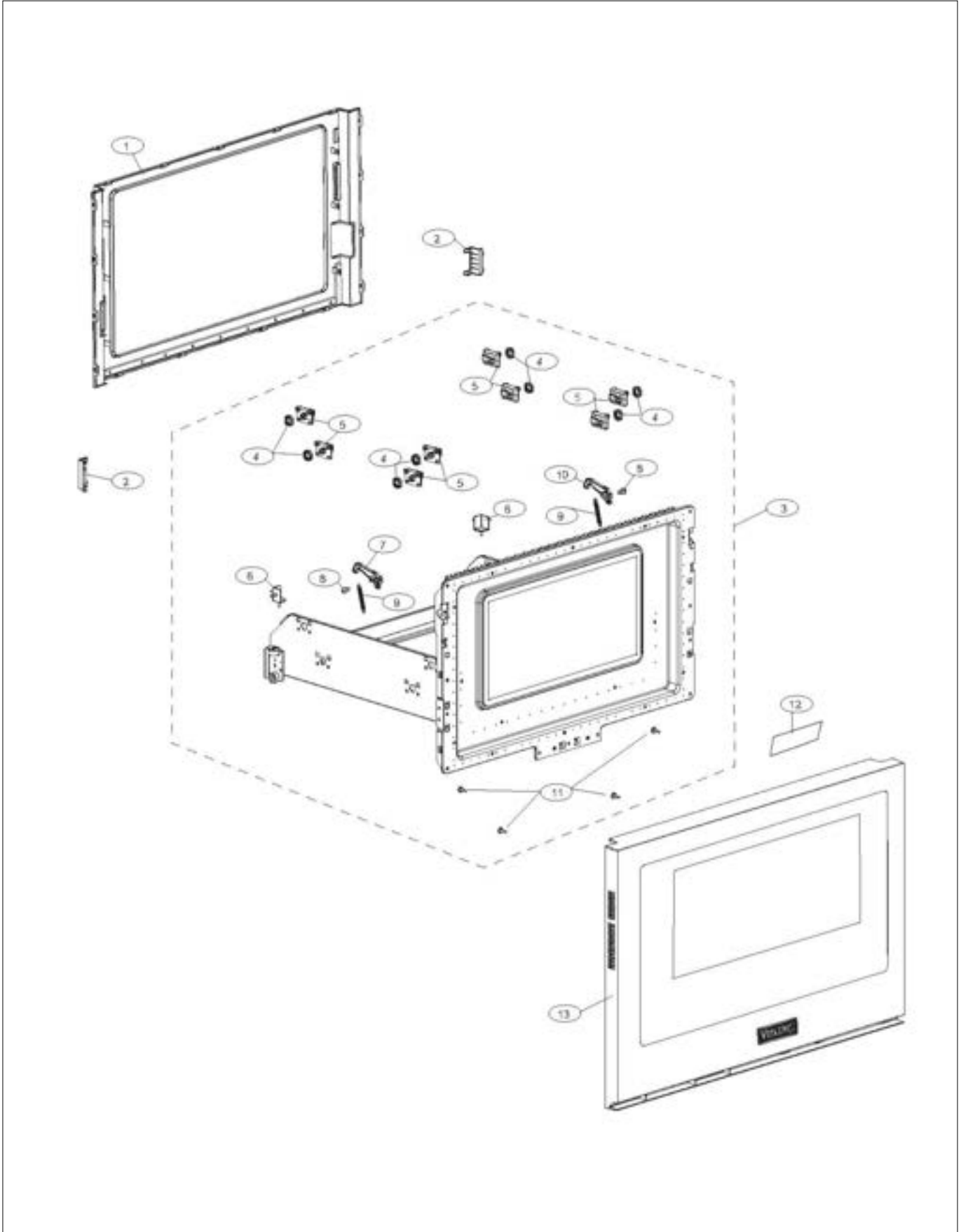






Item	Part No.	Name	Qty	Uom	NOTES
1	079822-000	ACCESSORY ASSY	1	EA	
2	079825-000	RACK-U	1	EA	
3	079824-000	RACK-L	1	EA	
4	079823-000	COOKING TRAY	1	EA	
5	079830-000	WOOD SCREWS	4	EA	

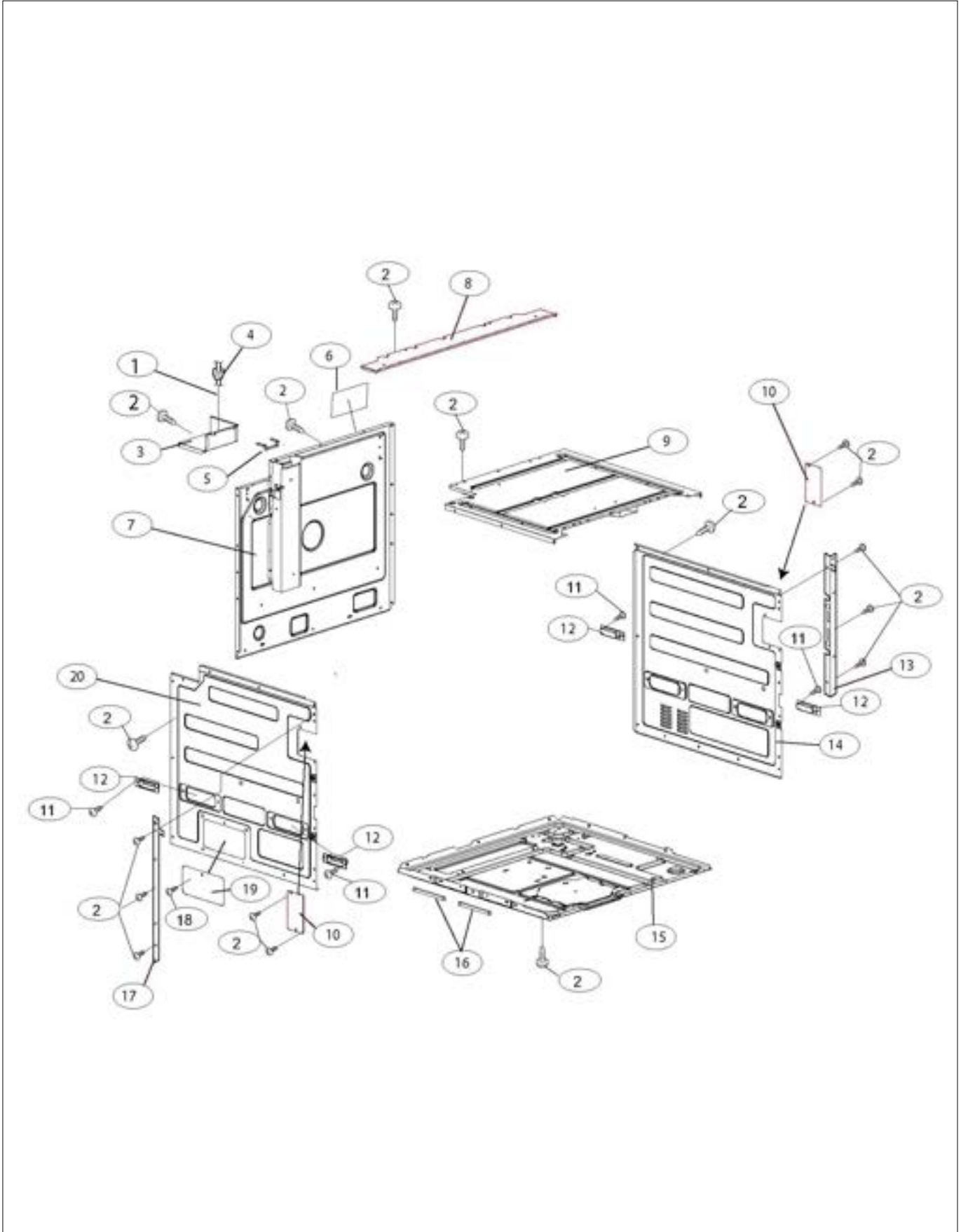
VMODC5240SS DRAWER





Item	Part No.	Name	Qty	Uom	NOTES
1	079820-000	CHOKE COVER ASSY	1	EA	
2	079821-000	DOOR SUPPORT COVER	1	EA	
3	079814-000	DOOR ASSY	1	EA	
4	079816-000	RACK STAY HOLDER	8	EA	
5	079817-000	RACK STAY	8	EA	
6	079815-000	DRAWER PACKING	2	EA	
7	062632-000	LATCH HEAD L	1	EA	
8	062635-000	SPECIAL SCREW	2	EA	
9	062633-000	LATCH SPRING	2	EA	
10	062631-000	LATCH HEAD R	1	EA	
11	079818-000	HOLE COVER	4	EA	
12	062643-000	CONSUMER WARNING LABEL	1	EA	
13	079819-000	DOOR FRAME ASSY	1	EA	

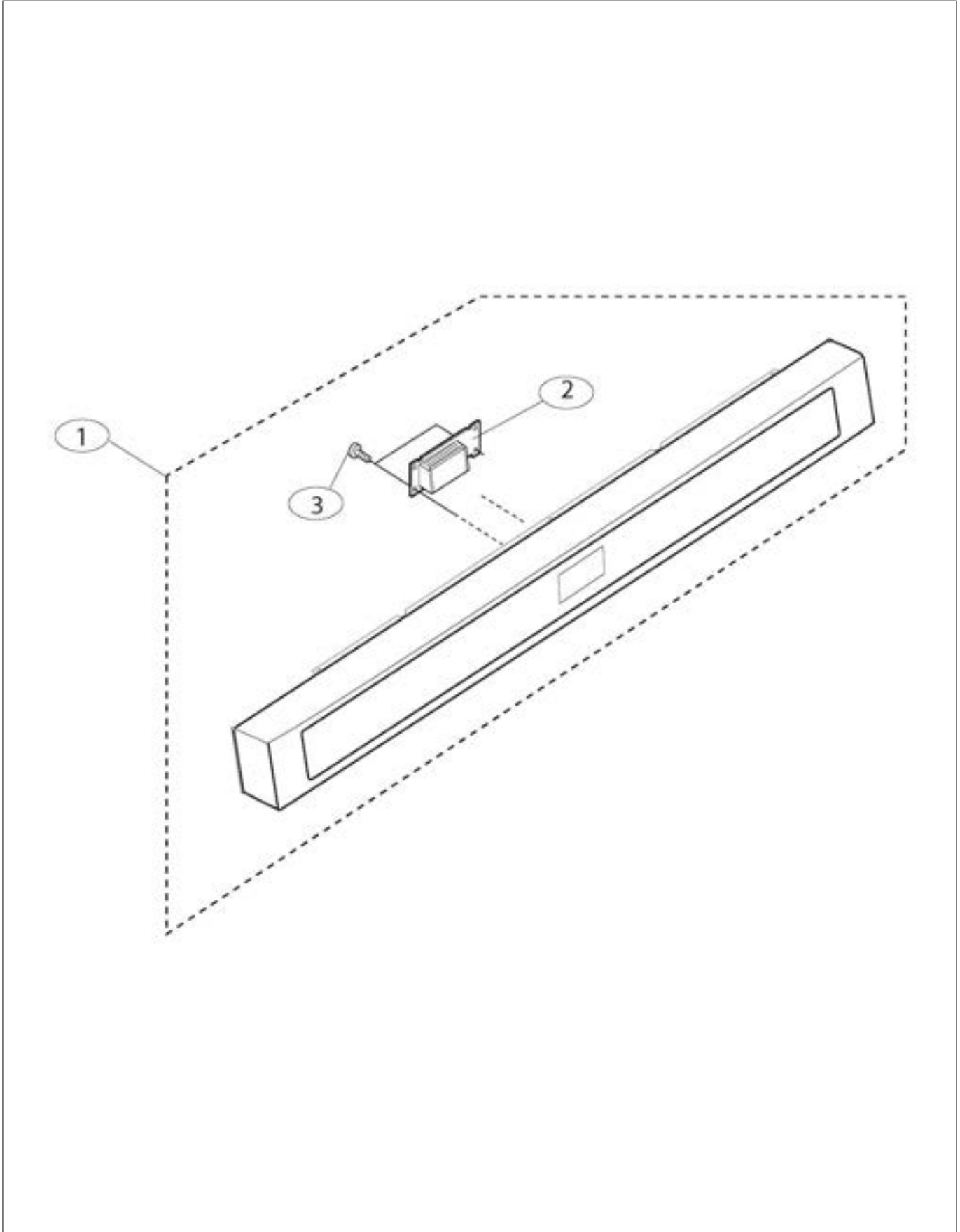
## VMODC5240SS DRAWER CABINET





Item	Part No.	Name	Qty	Uom	NOTES
1	079730-000	POWER SUPPLY CORD	1	EA	
2	PM120159	SCREW	79	EA	
3	062587-000	AC CORD MOUNT ANGLE	1	EA	
4	062590-000	CORD BUSHING	1	EA	
5	079809-000	CUSHION-J	1	EA	
6	079829-000	SCHEMATIC DIAGRAM	1	EA	
7	079747-000	REAR OUTER CASE	1	EA	
8	079755-000	C/P REAR ENCLOSURE	1	EA	
9	079746-000	TOP OUTER CASE	1	EA	
10	062591-000	LATCH COVER	2	EA	
11	037123-000	SPECIAL SCREW	61	EA	
12	079750-000	CARRY HANDLE	4	EA	
13	079753-000	SIDE ANGLE RIGHT	1	EA	
14	079752-000	RIGHT OUTER CASE	1	EA	
15	079748-000	BOTTOM PLATE	1	EA	
16	079806-000	CUSHION-F	4	EA	
17	079754-000	SIDE ANGLE LEFT	1	EA	
18	011898-000	SCREW	7	EA	
19	079751-000	CABINET COVER	1	EA	
20	079749-000	LEFT OUTER CASE	1	EA	

VMODC5240SS CONTROL PANEL





Item	Part No.	Name	Qty	Uom	NOTES
1	079756-000	CONTROL PANEL ASSY	1	EA	
2	079757-000	DRAWER DISPLAY UNIT	1	EA	
3	079758-000	SCREW	2	EA	



Appendix A:Pages Index

VMODC5240SS ACCESSORIES .....	2
VMODC5240SS CONTROL PANEL .....	5
VMODC5240SS DRAWER .....	3
VMODC5240SS DRAWER CABINET .....	4
VMODC5240SS DRAWER CAVITY .....	1





Appendix B:Parts Index

005222-000	..... 1	079724-000	..... 1
005226-000	..... 1	079725-000	..... 1
011898-000	..... 1, 4	079726-000	..... 1
012005-000	..... 1	079727-000	..... 1
012006-000	..... 1	079728-000	..... 1
028719-000	..... 1	079729-000	..... 1
028765-000	..... 1	079730-000	..... 4
028821-000	..... 1	079731-000	..... 1
036972-000	..... 1	079732-000	..... 1
037060-000	..... 1	079733-000	..... 1
037123-000	..... 1, 4	079734-000	..... 1
037170-000	..... 1	079735-000	..... 1
062576-000	..... 1	079736-000	..... 1
062583-000	..... 1	079737-000	..... 1, 1
062584-000	..... 1	079738-000	..... 1
062587-000	..... 4	079739-000	..... 1
062590-000	..... 4	079740-000	..... 1
062591-000	..... 4	079741-000	..... 1
062625-000	..... 1	079742-000	..... 1
062626-000	..... 1	079743-000	..... 1
062631-000	..... 3	079744-000	..... 1
062632-000	..... 3	079745-000	..... 1
062633-000	..... 3	079746-000	..... 4
062635-000	..... 3	079747-000	..... 4
062642-000	..... 1	079748-000	..... 1, 4
062643-000	..... 3	079749-000	..... 4
062644-000	..... 1	079750-000	..... 4
063005-000	..... 1	079751-000	..... 4
063181-000	..... 1	079752-000	..... 4
063186-000	..... 1	079753-000	..... 4
063188-000	..... 1	079754-000	..... 4
063769-000	..... 1	079755-000	..... 4
075723-000	..... 1	079756-000	..... 5
079717-000	..... 1	079757-000	..... 5
079718-000	..... 1	079758-000	..... 5
079719-000	..... 1	079759-000	..... 1
079720-000	..... 1	079760-000	..... 1
079721-000	..... 1	079761-000	..... 1
079722-000	..... 1	079762-000	..... 1
079723-000	..... 1	079763-000	..... 1
		079764-000	..... 1



079765-000	1	079806-000	1, 4
079766-000	1	079807-000	1
079767-000	1	079808-000	1
079768-000	1	079809-000	4
079769-000	1	079810-000	1
079770-000	1	079811-000	1
079771-000	1	079812-000	1
079772-000	1	079813-000	1
079773-000	1	079814-000	3
079774-000	1	079815-000	3
079775-000	1	079816-000	3
079776-000	1	079817-000	3
079777-000	1	079818-000	3
079778-000	1	079819-000	3
079779-000	1	079820-000	3
079780-000	1	079821-000	3
079781-000	1	079822-000	2
079782-000	1	079823-000	2
079783-000	1	079824-000	2
079784-000	1	079825-000	2
079785-000	1	079828-000	1
079786-000	1	079829-000	1, 4
079787-000	1	079830-000	2
079788-000	1	079832-000	1
079789-000	1	079834-00	1
079790-000	1	079835-000	1
079791-000	1	079836-000	1
079792-000	1	079841-000	1
079793-000	1	079843-000	1
079794-000	1	079844-000	1
079795-000	1	PM120003	1
079796-000	1	PM120034	1
079797-000	1	PM120154	1
079798-000	1	PM120159	1, 4
079799-000	1		
079800-000	1		
079801-000	1		
079802-000	1		
079803-000	1		
079804-000	1		
079805-000	1		