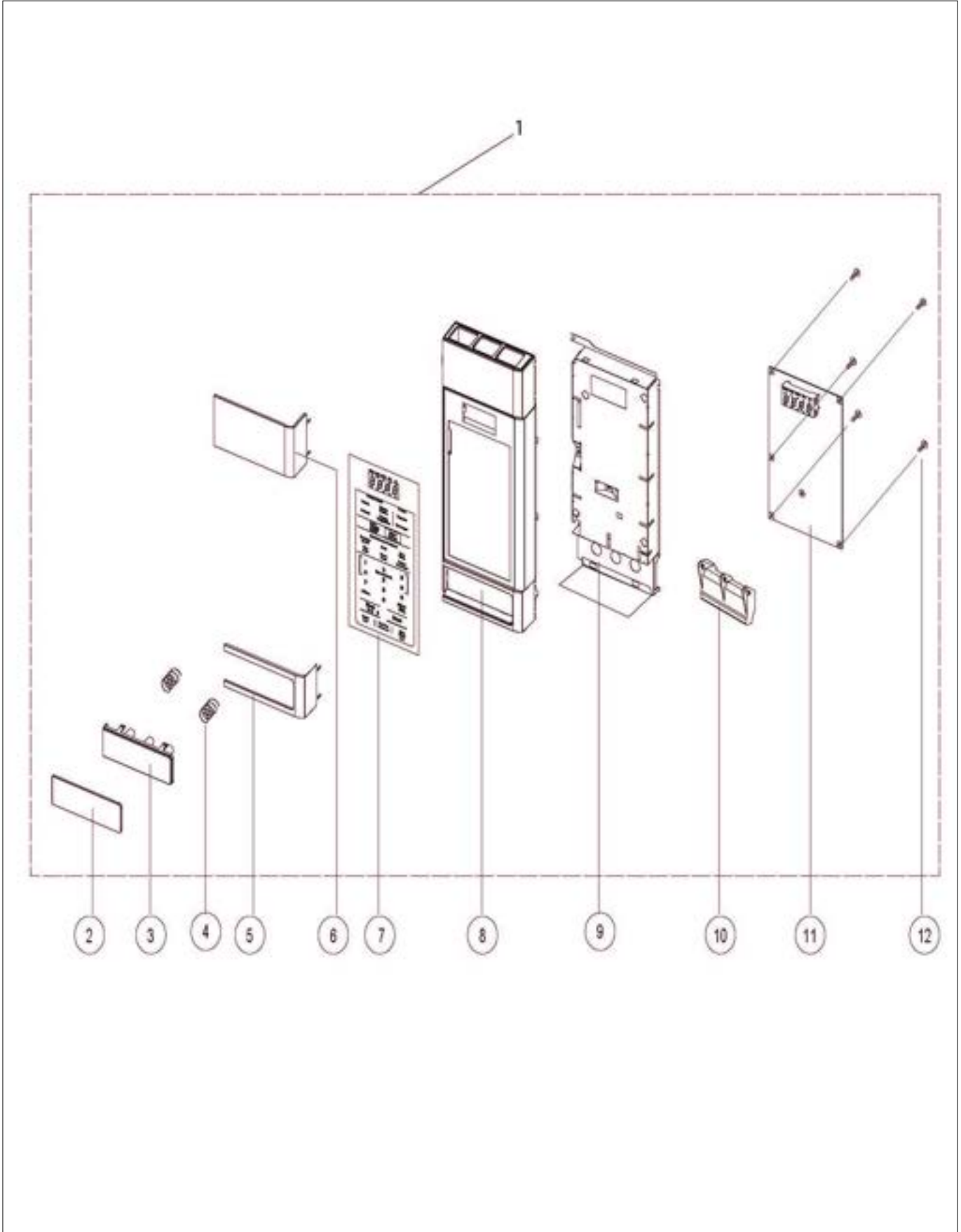


VMOH330SS

Over the Range Microwave Oven

VMOH330SS Control Panel	1
VMOH330SS Unit Components	2
Appendix A:Pages Index	A
Appendix B:Parts Index	B

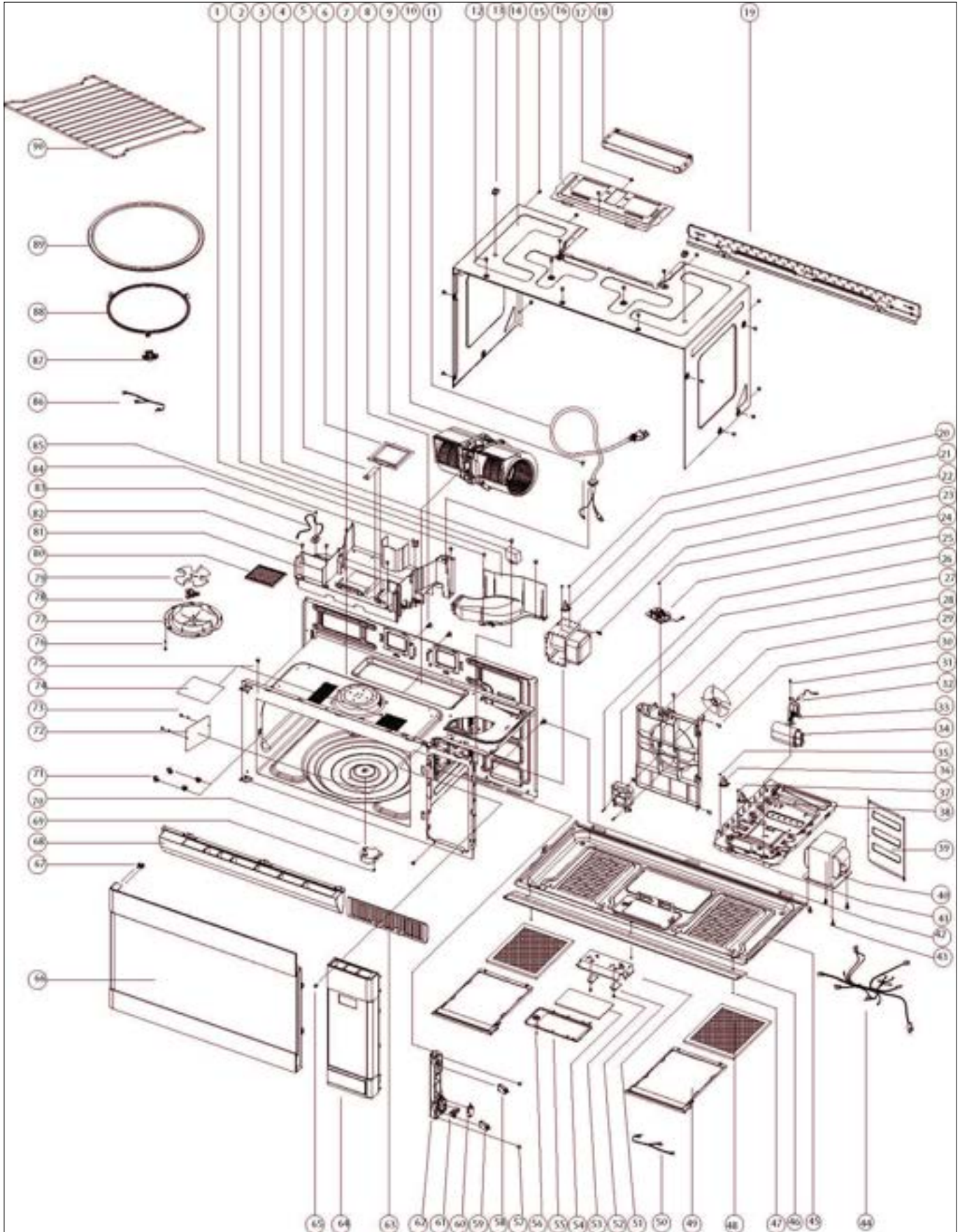
VMOH330SS Control Panel





Item	Part No.	Name	Qty	Uom	NOTES
1	072180-000	CONTROL-PANEL ASSY	1	EA	
2	072181-000	DECORATOR BUTTON	1	EA	
3	072182-000	BUTTON DOOR OPEN	1	EA	
4	072183-000	SPRING DOOR BUTTON	2	EA	
5	072184-000	DECORATOR C-PANEL *U	1	EA	
6	072185-000	DECORATOR C-PANEL *T	1	EA	
7	072186-000	SWITCH MEMBRANE	1	EA	
8	072187-000	CONTROL-PANEL	1	EA	
9	072188-000	BACK-PLATE ASSY	1	EA	
10	072189-000	LEVER DOOR OPEN	1	EA	
11	072190-000	MWO PCB MAIN ASSY	1	EA	
12	072191-000	SCREW TAPPING	5	EA	

VMOH330SS Unit Components





Item	Part No.	Name	Qty	Uom	NOTES
1	072191-000	SCREW TAPPING	2	EA	
2	072241-000	GUIDE AIR STIRRER	1	EA	
3	072246-000	CAPACITOR RUNNING	1	EA	
4	072191-000	SCREW TAPPING	1	EA	
5	072238-000	LAMP PCB LED ASSY	1	EA	
6	072239-000	COVER CAVITY LAMP	1	EA	
7	072192-000	CAVITY ASSY	1	EA	
8	072191-000	SCREW TAPPING	2	EA	
9	072242-000	MOTOR VENTILATION	1	EA	
10	072222-000	SPECIAL SCREW	2	EA	
11	072243-000	CORD POWER ASSY	1	EA	
12	072191-000	SCREW TAPPING	3	EA	
13	072249-000	ASSY NUT	2	EA	
14	072248-000	CABINET ASSY	1	EA	
15	072191-000	SCREW TAPPING	11	EA	
16	072250-000	COVER MOTOR CONDENSOR	1	EA	
17	072191-000	SCREW TAPPING	7	EA	
18	072256-000	VALVE DAMPER ASSY	1	EA	
19	072257-000	BRACKET RANGE MOUNT	1	EA	
20	072214-000	SCREW TAPPING	2	EA	
21	075960-000	THERMOSTAT	1	EA	
22	072226-000	MAGNETRON	1	EA	
23	072227-000	SCREW SPECIAL	1	EA	
24	072234-000	SCREW SPECIAL	1	EA	
25	072233-000	NOISE-FILTER	1	EA	
26	072231-000	SCREW TAPPING	2	EA	
27	072230-000	MOTOR SHADED POLE	1	EA	
28	072229-000	GUIDE WIND	1	EA	
29	072232-000	FAN	1	EA	
30	072191-000	SCREW TAPPING	3	EA	
31	072222-000	SPECIAL SCREW	1	EA	
32	072221-000	DIODE HV ASSY	1	EA	
33	072220-000	HOLDER HV CAPACITOR	1	EA	



Item	Part No.	Name	Qty	Uom	NOTES
34	072219-000	CAPACITOR HV	1	EA	
35	072197-000	SCREW TAPPING	1	EA	
36	072223-000	THERMOSTAT	1	EA	
37	072197-000	SCREW TAPPING	1	EA	
38	072224-000	THERMOSTAT	1	EA	
39	072235-000	GUIDE AIR OUTLET *U	1	EA	
40	072225-000	TRANS HV	1	EA	
41	072218-000	BASE *R	1	EA	
42	072191-000	SCREW TAPPING	2	EA	
43	072222-000	SPECIAL SCREW	4	EA	
44	072200-000	HARNES MAIN	1	EA	
45	072210-000	PLATE *B PAINTING ASSY	1	EA	
46	072260-000	HEAT DEFLECTOR	1	EA	
47	072191-000	SCREW TAPPING	3	EA	
48	072254-000	FILTER AIR	2	EA	
49	072255-000	HANDLE FILTER AIR	2	EA	
50	072213-000	HARNES LAMP	1	EA	
51	072211-000	BRACKET LED	1	EA	
52	072212-000	LAMP PCB LED ASSY	2	EA	
53	072214-000	SCREW TAPPING	2	EA	
54	072216-000	COVER LAMP	1	EA	
55	072215-000	BRACKET LAMP COVER PAINTING ASSY	1	EA	
56	072217-000	SCREW SPECIAL	1	EA	
57	072191-000	SCREW TAPPING	2	EA	
58	072202-000	SW MICRO	1	EA	
59	072203-000	SW MICRO	1	EA	
60	072204-000	SWITCH MONITOR	1	EA	
61	072205-000	LEVER LOCK	1	EA	
62	072201-000	LOCK	1	EA	
63	072245-000	PROTECTOR WIRE	1	EA	
64	072180-000	CONTROL-PANEL ASSY	1	EA	
65	072191-000	SCREW TAPPING	1	EA	



Item	Part No.	Name	Qty	Uom	NOTES
66	072179-000	DOOR ASSY	1	EA	
67	072247-000	STOPPER DOOR	1	EA	
68	072251-000	GRILLE AIR	1	EA	
69	072197-000	SCREW TAPPING	1	EA	
70	072196-000	MOTOR SYNCRO	1	EA	
71	072199-000	GUIDE TRAY RACK	4	EA	
72	072194-000	COVER WAVE GUIDE	1	EA	
73	072195-000	FIXTURE ASSY	2	EA	
74	072193-000	COVER LAMP	1	EA	
75	072191-000	SCREW TAPPING	1	EA	
76	072195-000	FIXTURE ASSY	1	EA	
77	072208-000	COVER STIRRER BLADE	1	EA	
78	072207-000	COUPLER STIRRER BLADE	1	EA	
79	072206-000	STIRRER BLADE	1	EA	
80	072244-000	FILTER CHARCOAL	1	EA	
81	072236-000	GUIDE AIR *T	1	EA	
82	072191-000	SCREW TAPPING	4	EA	
83	072240-000	SENSOR HUMIDITY	1	EA	
84	072214-000	SCREW TAPPING	1	EA	
85	072237-000	THERMOSTAT	1	EA	
86	072259-000	HARNESS THERMOSTAT	1	EA	
87	072198-000	COUPLER	1	EA	
88	072253-000	GUIDE ROLLER RING	1	EA	
89	072252-000	TRAY GLASS	1	EA	
90	072258-000	METAL RACK	1	EA	
NI	079466-000	LAG SCREWS (1/4" X 1.8")	2	EA	
Not Shown	NOTE	(INSTALL HARDWARE)		EA	
NI	079467-000	TOGGLE BOLT (3/16" X 2.7")	2	EA	
Not Shown	NOTE	(INSTALL HARDWARE)		EA	
NI	079468-000	NUTS	2	EA	
Not Shown	NOTE	(INSTALL HARDWARE)		EA	



Item	Part No.	Name	Qty	Uom	NOTES
NI	079469-000	CABINET MOUNTING BOLTS 1/4" X 3 1/8"	2	EA	
Not Shown	NOTE	(INSTALL HARDWARE)		EA	
NI	079470-000	WASHER 3/4"	2	EA	
Not Shown	NOTE	(INSTALL HARDWARE)		EA	
NI	079471-000	NYLON GROMMET (FOR METAL CABINETS)	1	EA	
Not Shown	NOTE	(INSTALL HARDWARE)		EA	



Appendix A:Pages Index

VMOH330SS Control Panel 1
VMOH330SS Unit Components 2



Appendix B:Parts Index

072179-000 2	072220-000 2
072180-000 1, 2	072221-000 2
072181-000 1	072222-000 2, 2, 2
072182-000 1	072223-000 2
072183-000 1	072224-000 2
072184-000 1	072225-000 2
072185-000 1	072226-000 2
072186-000 1	072227-000 2
072187-000 1	072229-000 2
072188-000 1	072230-000 2
072189-000 1	072231-000 2
072190-000 1	072232-000 2
072191-000 1, 2, 2, 2, 2, 2, 2, 2, 2, 2, 2, 2	072233-000 2
072192-000 2	072234-000 2
072193-000 2	072235-000 2
072194-000 2	072236-000 2
072195-000 2, 2	072237-000 2
072196-000 2	072238-000 2
072197-000 2, 2, 2	072239-000 2
072198-000 2	072240-000 2
072199-000 2	072241-000 2
072200-000 2	072242-000 2
072201-000 2	072243-000 2
072202-000 2	072244-000 2
072203-000 2	072245-000 2
072204-000 2	072246-000 2
072205-000 2	072247-000 2
072206-000 2	072248-000 2
072207-000 2	072249-000 2
072208-000 2	072250-000 2
072210-000 2	072251-000 2
072211-000 2	072252-000 2
072212-000 2	072253-000 2
072213-000 2	072254-000 2
072214-000 2, 2, 2	072255-000 2
072215-000 2	072256-000 2
072216-000 2	072257-000 2
072217-000 2	072258-000 2
072218-000 2	072259-000 2
072219-000 2	072260-000 2
		075960-000 2



079466-000	2
079467-000	2
079468-000	2
079469-000	2
079470-000	2
079471-000	2