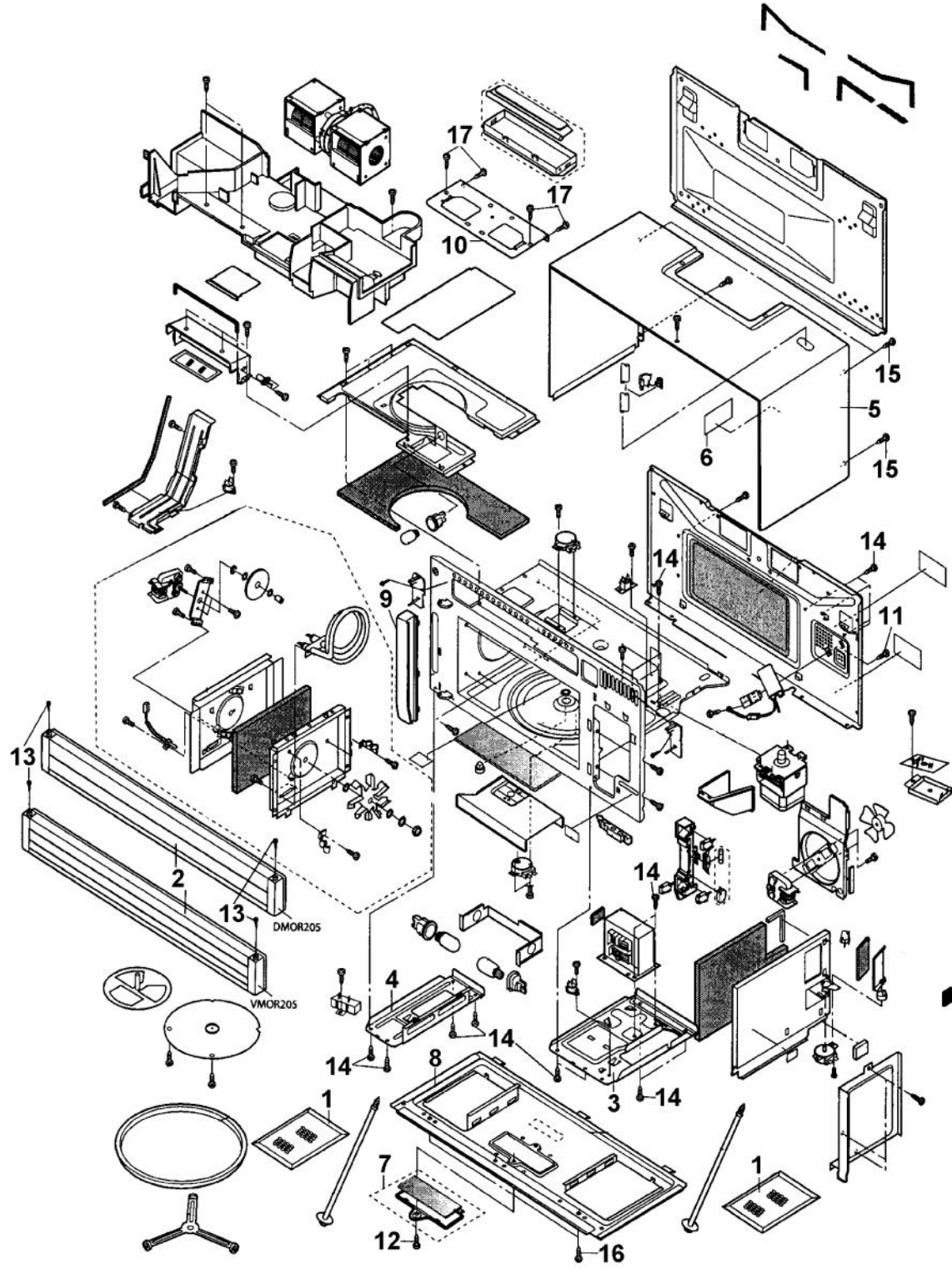
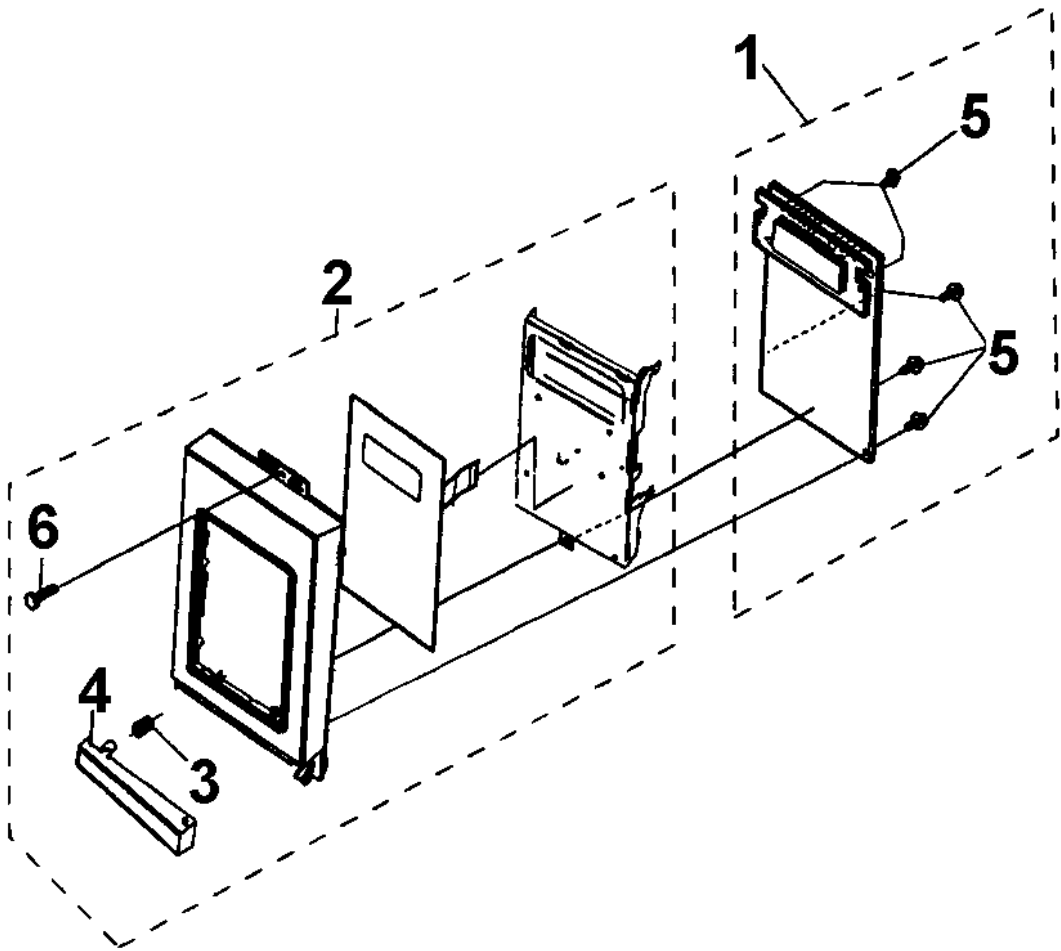


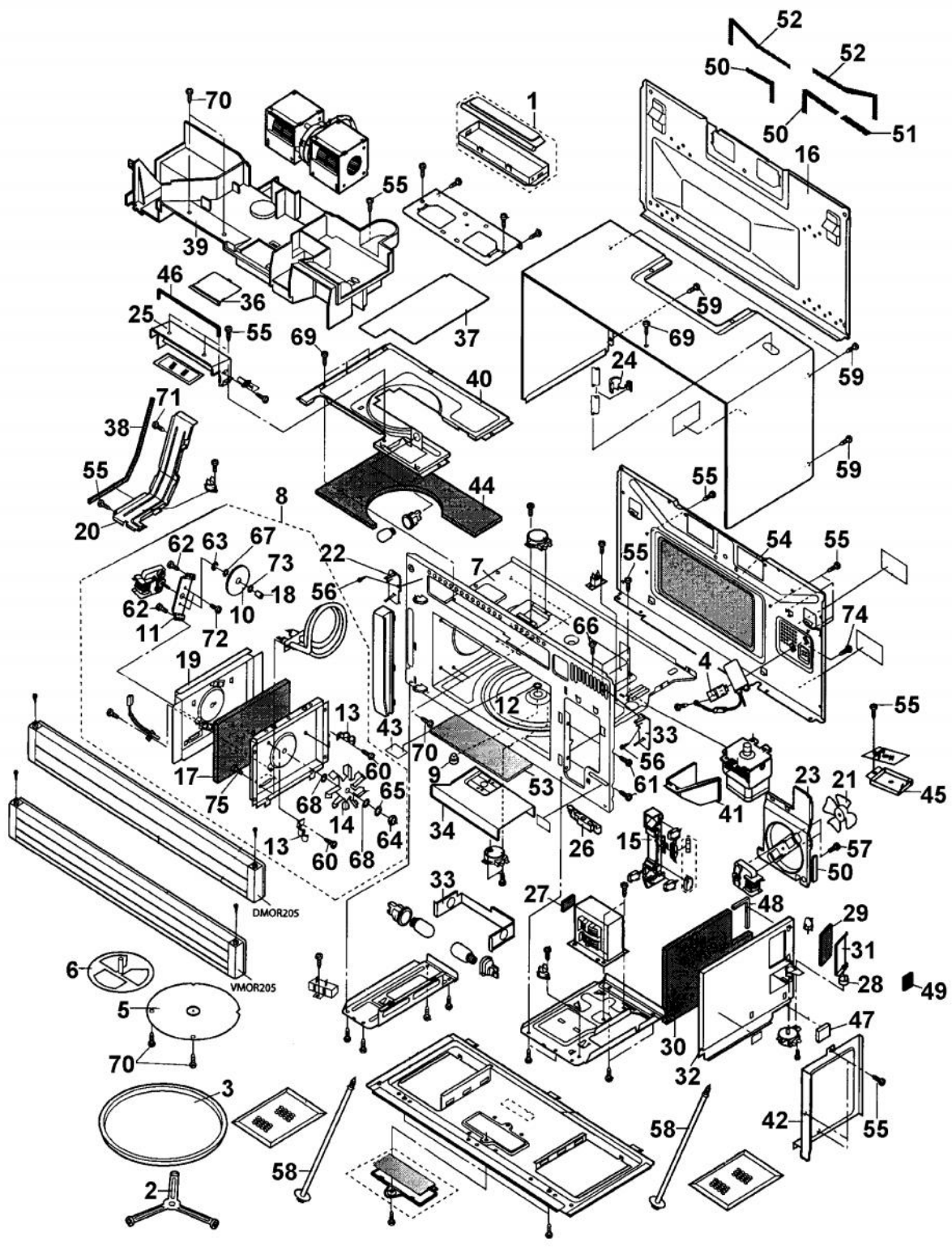
Ref #	Part Number	Qty.	Description
1	PM100066		HIGH VOLTAGE RECTIFIER ASSEMBLY
2	PM100044		H.V. CAPACITOR (INTERCHANGEABLE)
3	PM100016		OVEN TEMP FUSE
4	PM100068		CONVECTION HEARTER
5	PM100069		TURNTABLE MOTOR
6	PM100070		STIRRER MOTOR
7	PM100071		THERMAL CUTOOUT N.O. 600 C
8	PM100072		POWER TRANSFORMER
9	PM100073		MAGNETRON
10	PM100074		FUSE HOLDER
11	PM100019		INTERLOCK SWITCH
12	PM100075		MONITOR AND SCONDARY INTERLOCK SWITCH
13	PM100076		POWER SUPPLY CORD
14	PM100018		LAMP SOCKET
15	PM100077		THERMISTOR
16	PM120076		SCREW; 4MM X 10MM
17	PM100078		HOOD FAN MOTOR
18	PM100079		CONVECTION MOTOR
19	PM100080		FAN MOTOR
20	PM100081		HOOD / OVEN LAMP
21	PM100082		AH SENSOR
22	PM100083		DAMPER MOTOR
23	PM100084		NOISE RESISTOR
24	PM100085		NOISE FILTER
25	PM100086		HOOD LAMP
26	PM120141		SCREW, 4MM X 8MM
27	PM120143		SCREW, 3MM X 8MM
28	PM120144		SCREW, 3MM X 6MM
29	PM120146		SCREW : 4MM X 12MM
30	PM120002		SPECIAL SCREW
31	PM120151		SCREW, 4MM X 8MM
32	PM120002		SPECIAL SCREW



Ref #	Part Number	Qty.	Description
1	PM110064		GREASE FILTER
2	PM110065		HOOD EXHAUST LOUVER (VMOR205SS)
3	PM110067		BASE PLATE - RIGHT
4	PM110068		BASE PLATE - LEFT
6	PM120102		SCHEMATIC DIAGRAM (TMAPCB103MRR0)
7	PM110070		HOOD LAMP GLASS ASSEMBLY
8	PM110071		BASE COVER
9	PM110072		LEFT SNASH ASSEMBLY
10	PM110074		REAR STAY
11	PM120141		SCREW, 4MM X 8MM
12	PM120142		SCREW, 4MM X 10MM
13	PM120033		SCREW ; CONTROL PANEL MTG.
14	PM120146		SCREW : 4MM X 12MM
15	PM120004		SPECIAL SCREW
16	PM120153		SCREW, 4MM X 12MM
17	PM120159		SCREW

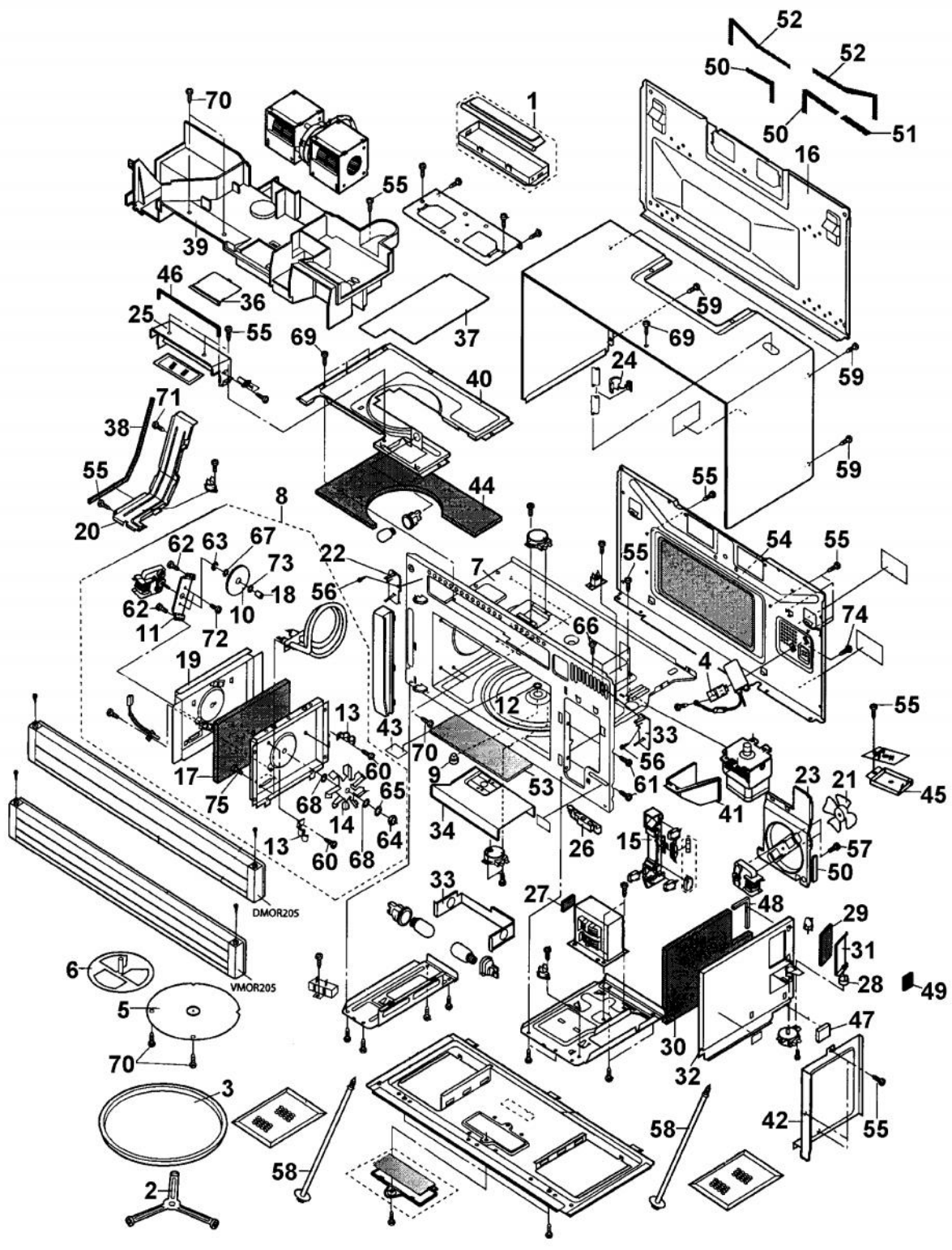


Ref #	Part Number	Qty.	Description
1	PM100087		CONTROL UNIT
2	PM100088		CONTROL PANEL SUBASSY
3	PM120044		OPEN BUTTON SPRING
4	PM120103		OPEN BUTTON ASSY (VMOR205SS)(FDECAB081MRK0C)
5	PM120105		SCREW, 3MM X 10MM(XEPSD30P10XS0)
6	PM120146		SCREW : 4MM X 12MM

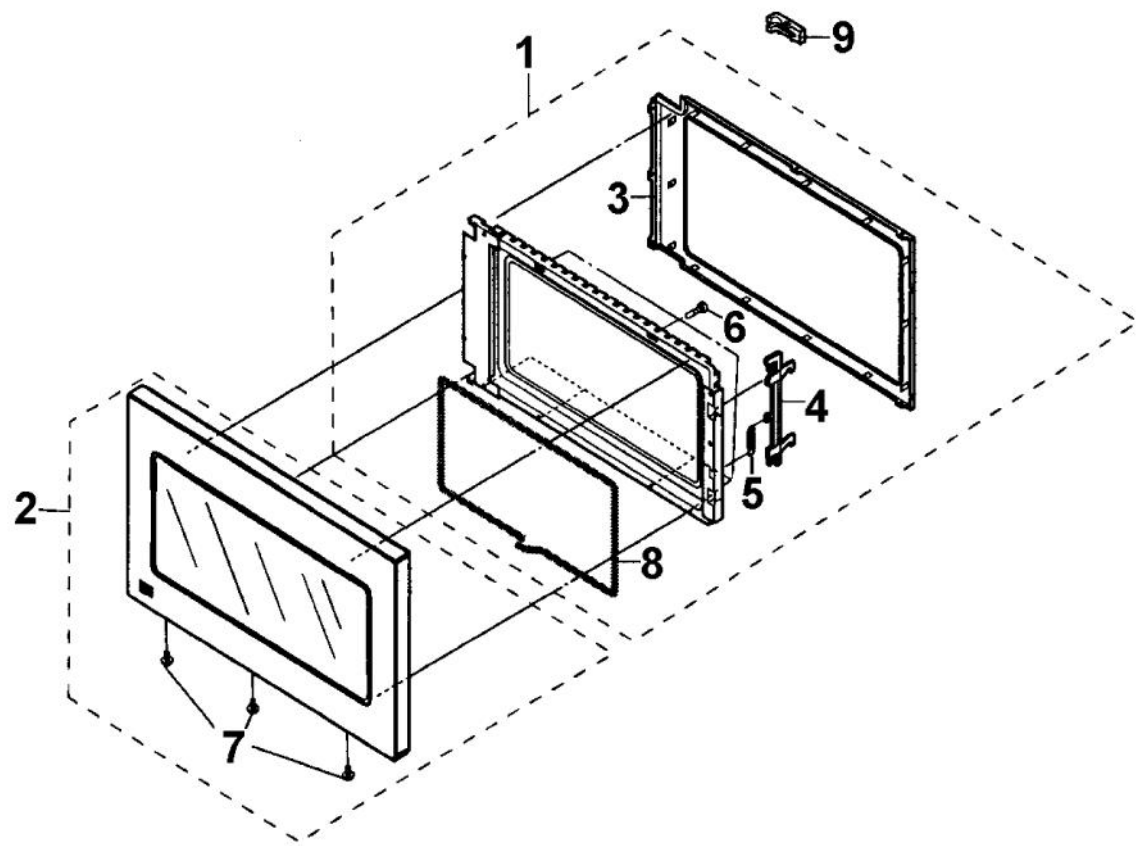


Ref #	Part Number	Qty.	Description
1	PM120106		EXHAUST DAMPER ASSEMBLY (FFTA-B004MRK0)
2	PM110075		TURNTABLE SUPPORT ASSEMBLY
3	PM110076		TURNTABLE TRAY
NI	042555-000	1	METAL TRAY GASKET
4	PM100090		CAPACITOR HOLDER
5	PM110077		STIRRER COVER ASSEMBLY
6	PM110078		STIRRER FAN ASSEMBLY
7	NOT REPLACEABLE		OVEN CAVITY (NOT REPLACEABLE PART)
8	PM100091		CONVECTION HEATER UNIT
9	PM100092		COUPLING
10	PM100093		CONVECTION MOTOR FAN
11	PM100094		CONVECTION MOTOR ANGLE
12	PM100095		TURNTABLE MOTOR PACKING
13	PM100055		HEATER ELEMENT HOLDER
14	PM100096		CONVECTION FAN
15	PM120107		LATCH HOOK (PHOK-B013MRF0)
16	PM110079		UNIT MOUNTING PLATE
17	PM110080		HEAT PROTECTOR - LEFT
18	PM110081		COLLER
19	PM110082		HEATER COVER - LEFT
20	PM120108		HOOD INTAKE DUCT - LEFT (PDUC-B083MRP0)
21	PM110083		FAN BLADE
22	PM110084		END CAP HOLDER - LEFT
23	PM120109		FAN DUCT (FDUC-B065MRK0)
24	PM100097		CORD BUSHING
25	PM120110		EXHAUST DUCT (FDUC-B049MRK0)
26	PM120006		SWITCH LEVER
27	PM120111		CUSHION (PCUSGB030MRP0)
28	PM120112		DAMPER CAM (MCAMPB001MRF0)
29	PM120113		DAMPER CUSHION (PCUSUB032MRP0)
30	PM120114		HEAT PROTECTOR - RIGHT (PFPP-B001MRE0)
31	PM120115		DAMPER PLATE (PFTA-B003MRP0)
32	PM110085		THERMAL COVER - RIGHT
33	PM110086		END CAP HOLDER - RIGHT
34	PM110087		THERMAL COVER BOTTOM
35	PM120116		DOOR STOPPER (LSTPPB024MRF0)
36	PM110088		OVEN LAMP COVER
37	PM120117		HEAT PROTECT TOP SHEET (PCOVPB050MRP0)
38	PM120118		CUSHION (PCUSGB027MRP0)
39	PM120119		HOOD EXHAUST DUCT (PDUC-B056MRF0A)
NI	005478-000		OTR HEAT DEFLECTOR (PREF-B005MRT0B)

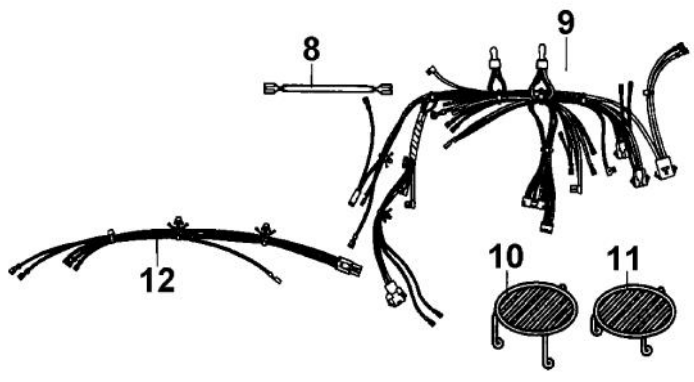
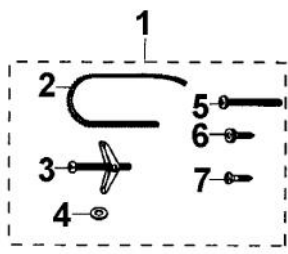




Ref #	Part Number	Qty.	Description
40	PM120120		TOP DUCT (PDUC-B057MRP0)
41	PM120121		MAGNETRON DUCT (PDUC-B058MRF0)
42	PM120122		HOOD INTAKE DUCT - RIGHT (PDUC-B060MRP0)
43	PM110089		OVEN LIGHT SCREEN
44	PM120123		HEAT PROTECT TOP (PFPF-B003MREO)
45	PM110016		ANGLE
46	PM120124		EXHAUST CUSHION (PCUSUB019MRP0)
47	PM120125		CUSHION (PCUSUB020MRP0)
48	PM120126		CUSHION (PCUSUB024MRP0)
49	PM120127		CUSHION (PCUSUB033MRP0)
50	PM120128		CUSHION (PCUSUB035MRP0)
51	PM120129		CUSHION (PCUSUB047MRP0)
52	PM120130		CUSHION (PCUSUB046MRP0)
53	PM120131		HEAT PROTECT - BOTTOM (PFPF-B005MREO)
54	PM120132		HEAT PROTECT - REAR (PFPF-B004MREO)
55	PM120146		SCREW : 4MM X 12MM
56	PM120147		SCREW (LX-CZB020MRE0)
57	PM120148		SCREW : 3MM X 14MM
58	PM120149		UNIT MOUNTING SCREW
59	PM120004		SPECIAL SCREW
60	PM120150		SCREW, 3MM X 6MM
61	PM120003		SCREW
62	PM120151		SCREW, 4MM X 8MM
63	PM120152		E-RING
64	PM120154		NUT, 4MM X 3.2MM
65	PM120155		SPRING WASHER
66	PM120002		SPECIAL SCREW
67	PM120156		WASHER, 5MM X 2MM
68	PM120157		WASHER, 4MM X 0.8MM
69	PM120159		SCREW
70	PM120076		SCREW; 4MM X 10MM
71	PM120077		SCREW; 4MM X 8MM (XCTWW40P08000)
72	PM120144		SCREW, 3MM X 6MM
73	PM120158		WASHER, 5MM X 0.8MM
74	PM120141		SCREW, 4MM X 8MM
75	PM120145		SCREW, 4MM X 6MM



Ref #	Part Number	Qty.	Description
1	PM110090		DOOR PANEL ASSEMBLY
2	PM110091		DOOR FRAME (VMOR205SS)
3	PM110093		CHOKE COVER
4	PM120133		LATCH HEAD (LSTPPB025MRF0)
5	PM120007		LATCH SPRING
6	PM120085		SCREW; 4MM X 8MM (XCTSD40P08000)
7	PM120033		SCREW ; CONTROL PANEL MTG.
8	PM120134		DOOR CUSHION (PCUSUB073MRP0)
9	PM120116		DOOR STOPPER (LSTPPB024MRF0)
NI	PM110011		BADGE



Ref #	Part Number	Qty.	Description
1	PM120135		INSTALLATION MATERIAL ASSEMBLY (CFZK-B131MRK0)
2	PM120136		GROMMET (LBSHC0040MRE0)
3	PM120137		TOGGLE SCREW (LX-BZ0195WRE0)
4	PM120138		WASHER (XWHS750-16300)
5	PM120139		SCREW : 4MM X 8MM
6	PM120037		CABINET SCREW XOTSE40P12000
7	PM120140		SCREW, 5MM X 35MM
8	PM100098		HIGH VOLTAGE WIRE - A
9	PM100099		MAIN HARNESS - A
10	PM110094		HIGH RACK
11	PM110095		LOW RACK
12	PM100100		MAIN HARNESS - C
NI	PM110096		CHARCOAL FILTER