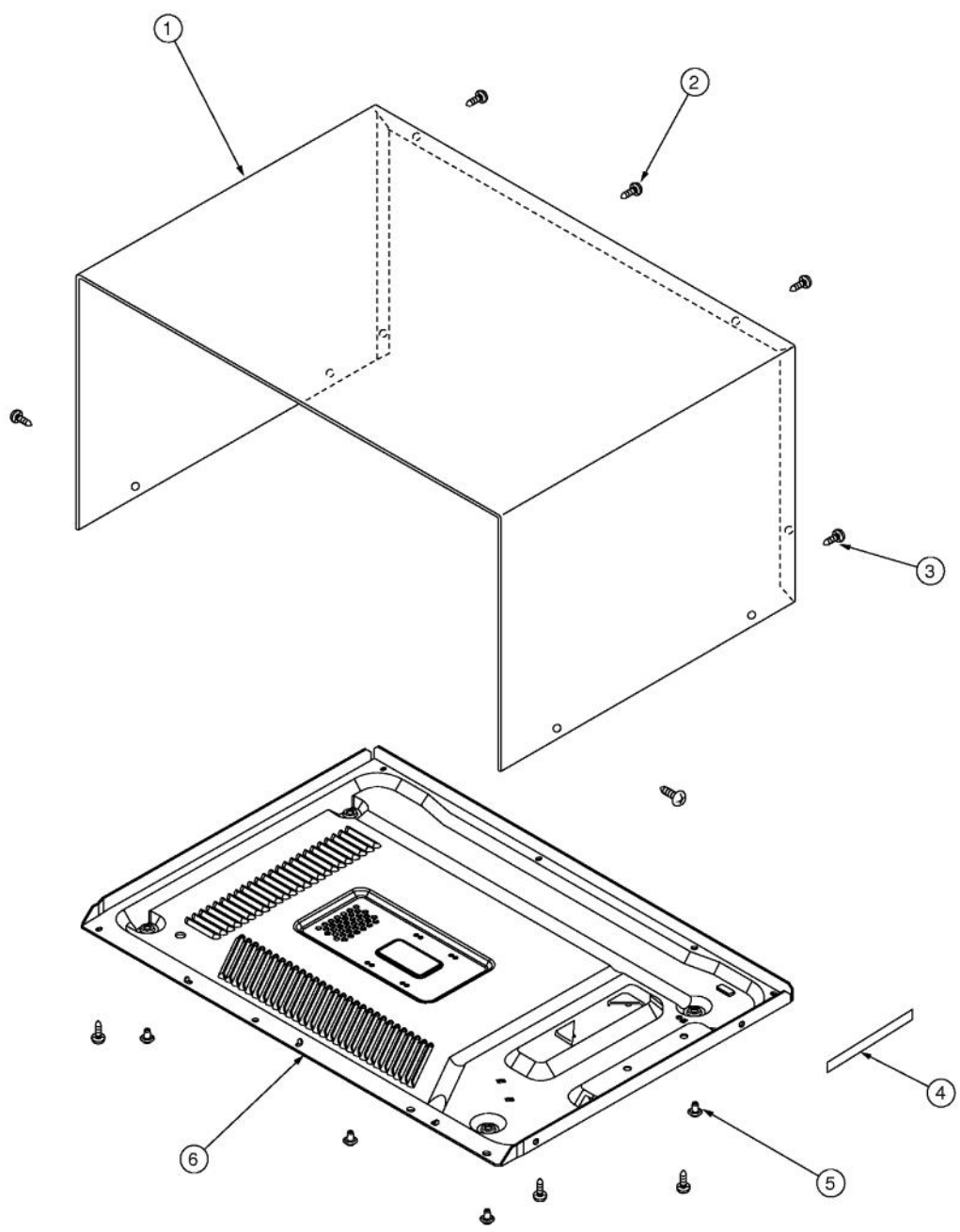
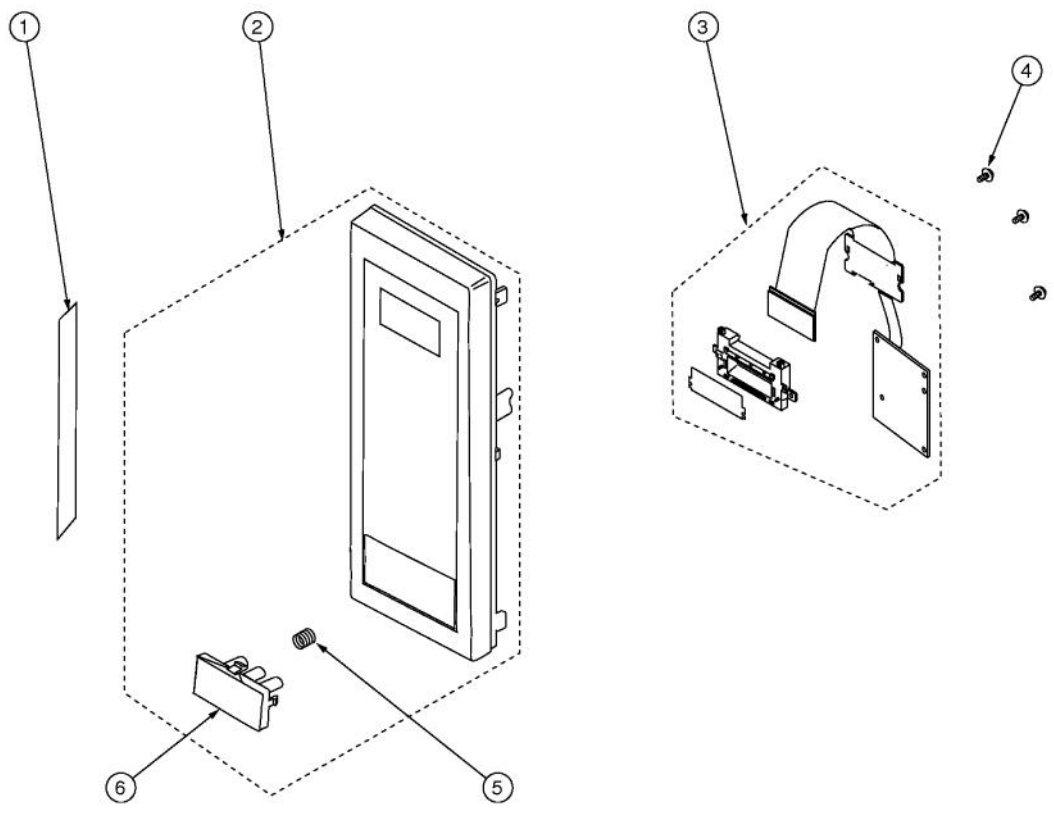


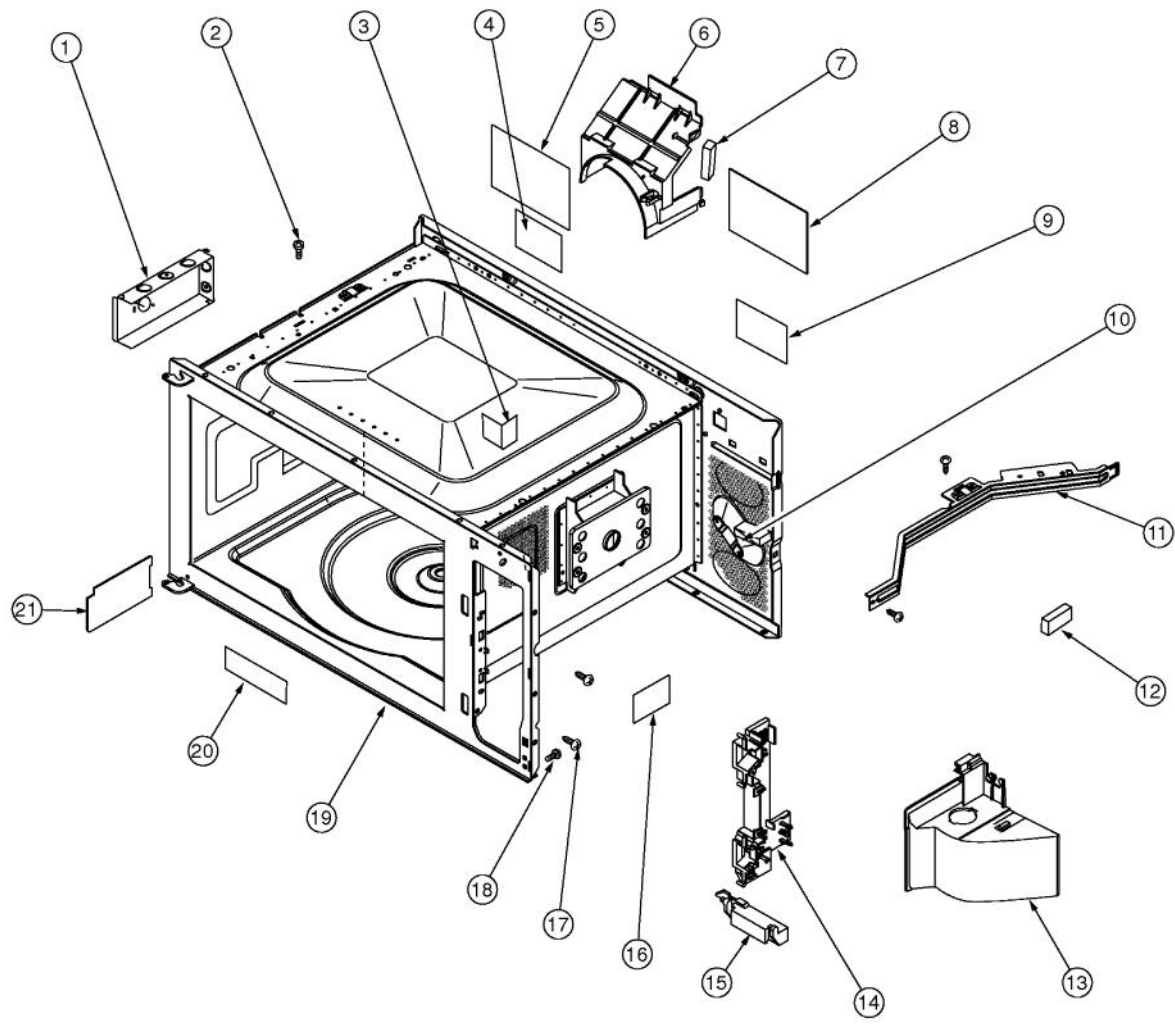
Ref #	Part Number	Qty.	Description
1	019066-000	1	AH SENSOR
2	PM100017	1	CAVITY TEMPERATURE FUSE 150+C
3	028717-000	1	FAN BLADE
4	PM100024	1	FAN MOTOR
5	028718-000	1	POWER SUPPLY CORD
6	019110-000	1	SCREW 4MM X 12MM
7	028719-000	3	SCREW : 3MM X 8MM
8	005228-000	3	SCREW : 4 MM X 8 MM
9	PM100004	1	MONITOR SWITCH (V-16G-2C25) AND FUSE ASSEMBLY (20...
10	PM100008	1	NOISE FILTER
11	PM100016	1	OVEN TEMP FUSE
12	PM120148	2	SCREW : 3MM X 14MM
13	019080-000	1	MAGNETRON
14	PM120142	1	SCREW, 4MM X 10MM
15	028720-000	1	OVEN LAMP
16	028721-000	1	SCREW
17	PM100019	3	INTERLOCK SWITCH
18	028722-000	1	HIGH VOLTAGE RECTIFIER ASSEMBLY
19	028723-000	1	HIGH VOLTAGE CAPACITOR
20	028724-000	1	H.V. CAPACITOR BAND
21	019082-000	1	POWER TRANSFORMER
22	PM100069	1	TURNTABLE MOTOR
23	028725-000	1	TURNTABLE MOTOR PACKING



Ref #	Part Number	Qty.	Description
1	028726-000	1	OUTER CASE CABINET
2	PM120159	6	SCREW
3	PM120005	2	SCREW
4	028727-000	1	BASEPLATE CUSHION
5	028728-000	4	FOOT
6	028729-000	1	BASE PLATE

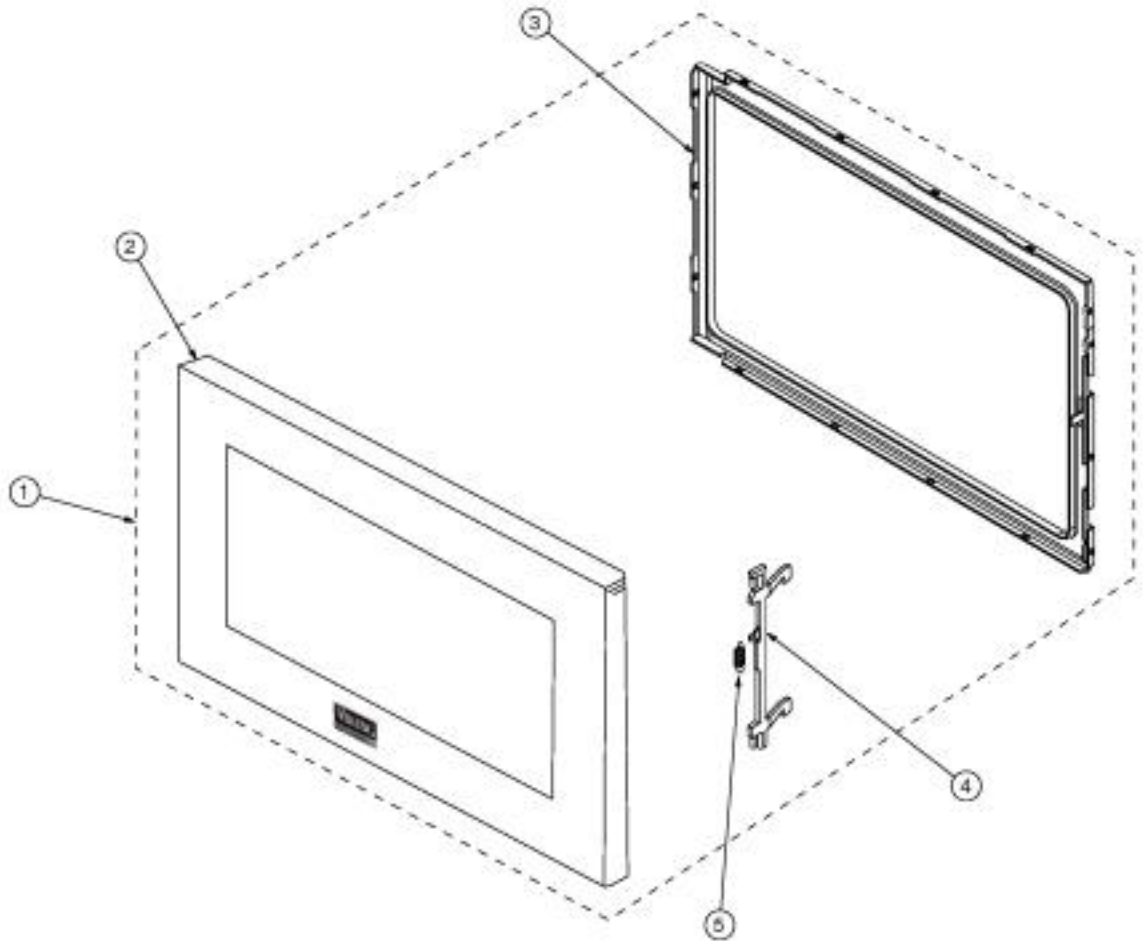


Ref #	Part Number	Qty.	Description
1	PM120021	1	USER CAUTION LABEL
2	001968-004	1	CONTROL PANEL FRAME W/KEY UNIT - SG
2	001968-006	1	CONTROL PANEL FRAME W/KEY UNIT - WH
2	001968-008	1	CONTROL PANEL FRAME WITH KEY UNIT (VMOS201BU)
2	028730-000	1	CONTROL PANEL FRAME WITH KEY UNIT (VMOS201SS)
2	028731-000	1	CONTROL PANEL FRAME WITH KEY UNIT (VMOS201PL)
2	028732-000	1	CONTROL PANEL FRAME WITH KEY UNIT (VMOS201BT)
2	028733-000	1	CONTROL PANEL FRAME WITH KEY UNIT (VMOS201GG)
2	028734-000	1	CONTROL PANEL FRAME WITH KEY UNIT (VMOS201LE)
2	028735-000	1	CONTROL PANEL FRAME WITH KEY UNIT (VMOS201AR)
2	028736-000	1	CONTROL PANEL FRAME WITH KEY UNIT (VMOS201RR)
2	028737-000	1	CONTROL PANEL FRAME WITH KEY UNIT (VMOS201VB)
2	028738-000	1	CONTROL PANEL FRAME WITH KEY UNIT (VMOS201CB)
2	028739-000	1	CONTROL PANEL FRAME WITH KEY UNIT (VMOS201CH)
2	028740-000	1	CONTROL PANEL FRAME WITH KEY UNIT (VMOS201MJ)
2	028741-000	1	CONTROL PANEL FRAME WITH KEY UNIT (VMOS201PM)
2	028742-000	1	CONTROL PANEL FRAME WITH KEY UNIT (VMOS201IB)
2	028743-000	1	CONTROL PANEL FRAME WITH KEY UNIT (VMOS201SE)
2	028744-000	1	CONTROL PANEL FRAME WITH KEY UNIT (VMOS201BK)
2	028745-000	1	CONTROL PANEL FRAME WITH KEY UNIT (VMOS201MS)
2	028746-000	1	CONTROL PANEL FRAME WITH KEY UNIT (VMOS201TP)
2	028747-000	1	CONTROL PANEL FRAME WITH KEY UNIT (VMOS201CW)
2	028748-000	1	CONTROL PANEL FRAME WITH KEY UNIT (VMOS201OG)
2	028749-000	1	CONTROL PANEL FRAME WITH KEY UNIT (VMOS201GM)
2	028750-000	1	CONTROL PANEL FRAME WITH KEY UNIT (VMOS201SA)
3	028751-000	1	CONTROL UNIT
4	004871-000	3	SCREW : 4MM X 12MM
5	PM120044	1	OPEN BUTTON SPRING
6	028752-000	1	OPEN BUTTON

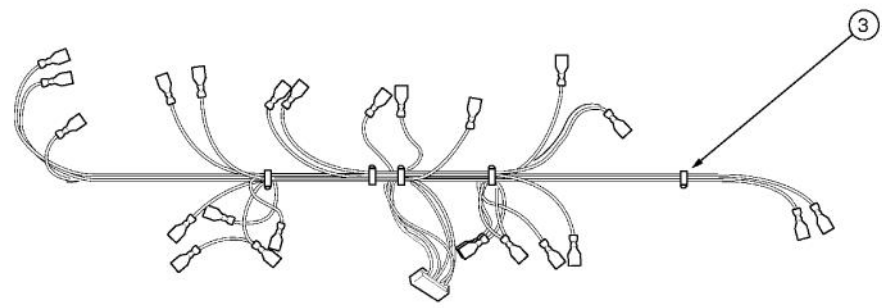
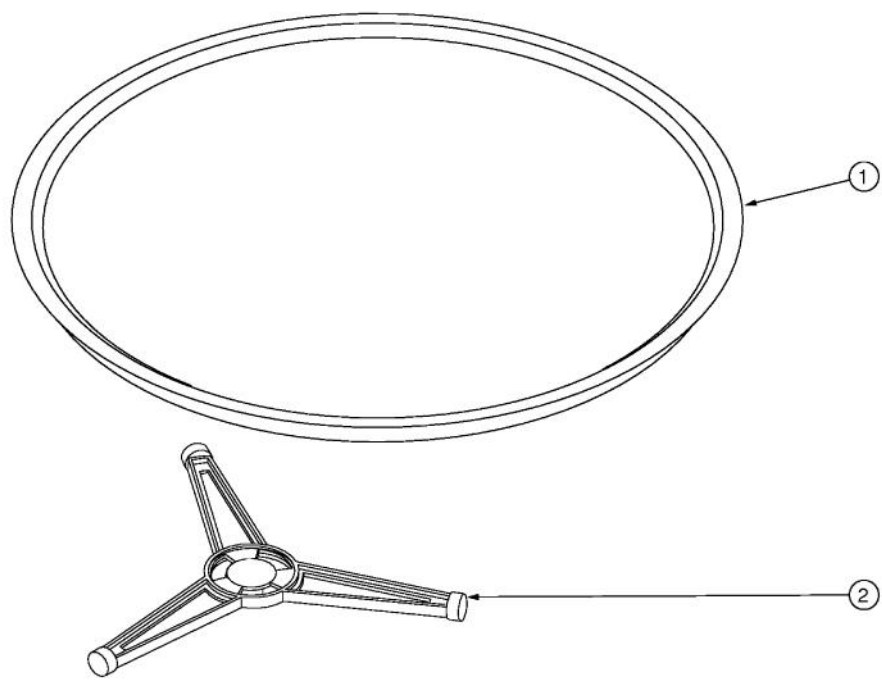


Ref #	Part Number	Qty.	Description
1	028753-000	1	SENSOR DUCT
2	PM120148	3	SCREW : 3MM X 14MM
3	028754-000	1	C/P CAVITY CUSHION
4	005196-000	1	GND CAUTION LABEL
5	022495-000	1	NHW CAUTION LABEL
6	028755-000	1	FAN DUCT
7	028756-000	1	FAN DUCT CUSHION
8	012012-000	1	BIK LABEL
9	028757-000	1	HWC CAUTION LABEL
10	028758-000	1	FAN MOTOR CUSHION
11	028759-000	1	CHASSIS SUPPORT
12	028760-000	1	MAG CUSHION
13	028761-000	1	MAGNETRON DUCT
14	028762-000	1	LATCH HOOK
15	028763-000	1	SWITCH LEVER
16	028764-000	1	MONITOR CAUTION LABEL
17	PM120003	2	SCREW
18	028765-000	1	SCREW
19	028766-000	1	OVEN CAVITY
20	028767-000	1	MENU LABEL
21	028768-000	1	WAVEGUIDE COVER

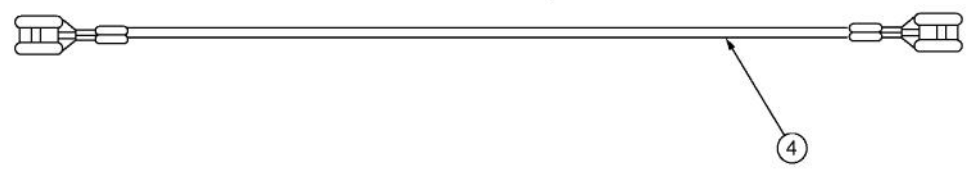




Ref #	Part Number	Qty.	Description
1	028769-000	1	DOOR ASSEMBLY (VMOS201SS)
1	028770-000	1	DOOR ASSEMBLY (VMOS201WH)
1	028771-000	1	DOOR ASSEMBLY (VMOS201CH)
1	028772-000	1	DOOR ASSEMBLY (VMOS201BT)
1	028773-000	1	DOOR ASSEMBLY (VMOS201SG)
1	028774-000	1	DOOR ASSEMBLY (VMOS201GG)
1	028775-000	1	DOOR ASSEMBLY (VMOS201BU)
1	028776-000	1	DOOR ASSEMBLY (VMOS201LE)
1	028777-000	1	DOOR ASSEMBLY (VMOS201MJ)
1	028778-000	1	DOOR ASSEMBLY (VMOS201VB)
1	028779-000	1	DOOR ASSEMBLY (VMOS201CB)
1	028780-000	1	DOOR ASSEMBLY (VMOS201PL)
1	028781-000	1	DOOR ASSEMBLY (VMOS201AR)
1	028782-000	1	DOOR ASSEMBLY (VMOS201RR)
1	028783-000	1	DOOR ASSEMBLY (VMOS201PM)
1	028784-000	1	DOOR ASSEMBLY (VMOS201IB)
1	028785-000	1	DOOR ASSEMBLY (VMOS201SE)
1	028786-000	1	DOOR ASSEMBLY (VMOS201BK)
1	028787-000	1	DOOR ASSEMBLY (VMOS201MS)
1	028788-000	1	DOOR ASSEMBLY (VMOS201TP)
1	028789-000	1	DOOR ASSEMBLY (VMOS201CW)
1	028790-000	1	DOOR ASSEMBLY (VMOS201OG)
1	028791-000	1	DOOR ASSEMBLY (VMOS201GM)
1	028792-000	1	DOOR ASSEMBLY (VMOS201SA)
2	PM110005	1	DOOR PANEL
3	PM110008	1	CHOKE COVER
4	028793-000	1	LATCH HEAD
5	PM120007	1	LATCH SPRING



Actual wire harness may be different from illustration.



Ref #	Part Number	Qty.	Description
1	PM110019	1	TT TRAY
2	028794-000	1	TURNTABLE SUPPORT
3	028795-000	1	MAIN WIRE HARNESS
4	028796-000	1	HIGH VOLTAGE WIRE A