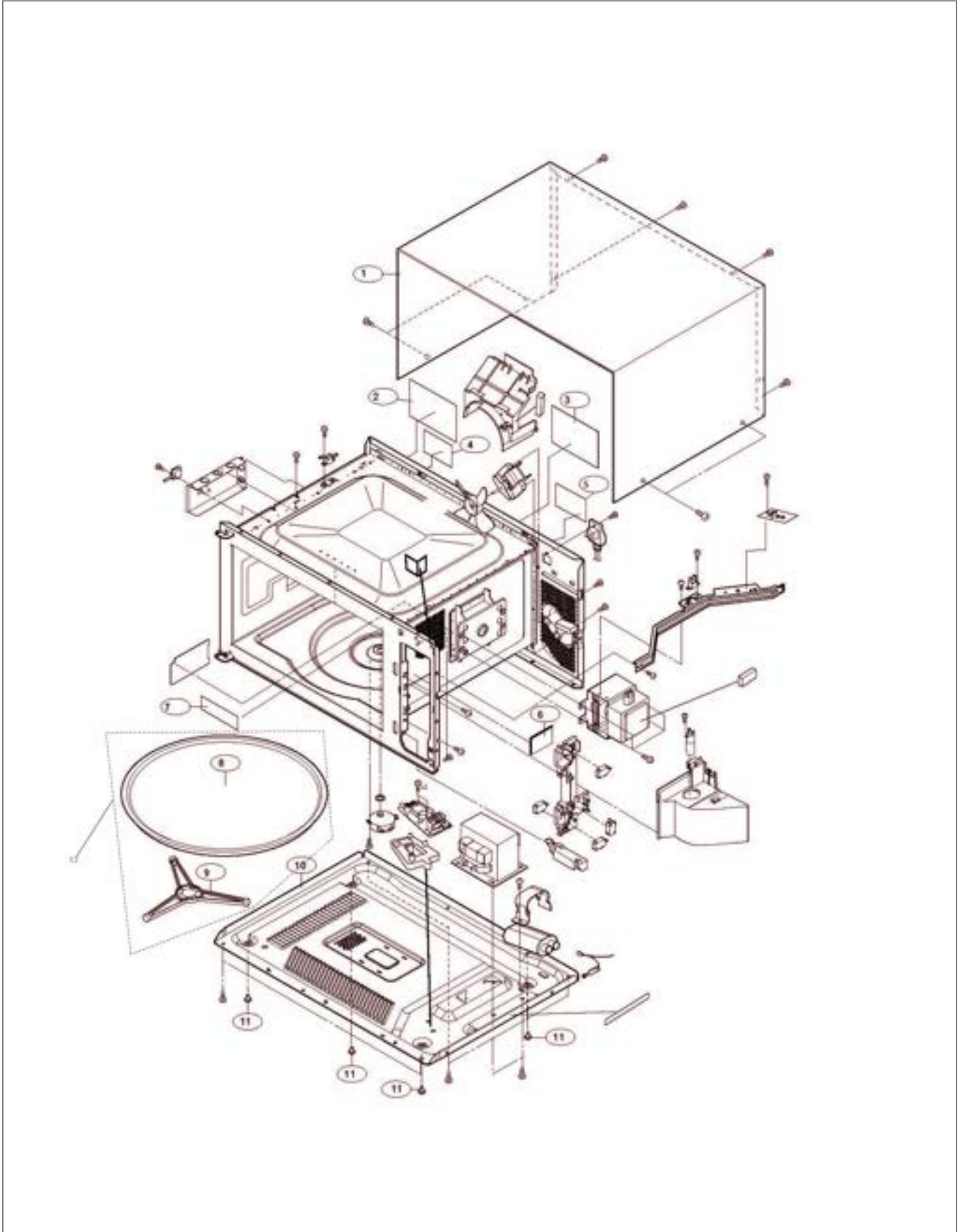


**VMOS501SS**

VMOS501SS Cabinet .....	1
VMOS501SS Electrical .....	2
VMOS501SS Oven Parts .....	3
VMOS501SS Misc .....	4
VMOS501SS Control Panel .....	5
VMOS501SS Door Parts .....	6
Appendix A:Pages Index .....	A
Appendix B:Parts Index .....	B

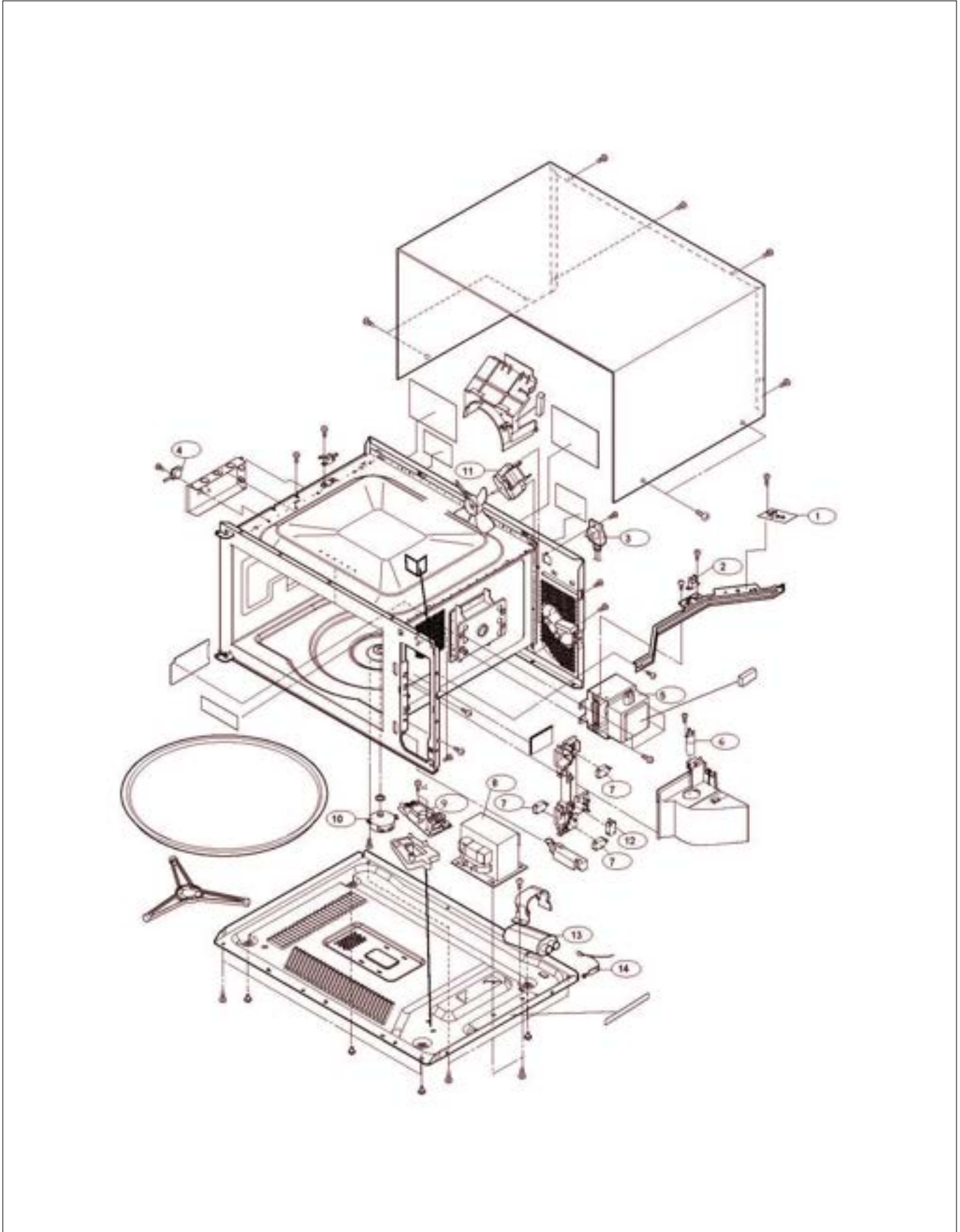
VMOS501SS Cabinet





Item	Part No.	Name	Qty	Uom	NOTES
1	028726-000	OUTER CASE CABINET	1	EA	
2	022237-000	NHW CAUTION LABEL	1	EA	Not available online / Call for pricing and availability
3	065226-000	Built-in/height label	1	EA	
4	065225-000	DHHS/Screw caution label	1	EA	
5	028757-000	HWC CAUTION LABEL	1	EA	
6	065224-000	Monitor caution label	1	EA	
7	PM120036	MENU LABEL	1	EA	Not available online / Call for pricing and availability
8	076055-000	TURNTABLE TRAY	1	EA	
Not Shown	NOTE	(ON OR AFTER SERIAL V51SSA005744)		EA	
9	076056-000	TURNTABLE SUPPORT	1	EA	
Not Shown	NOTE	(ON OR AFTER SERIAL V51SSA005744)		EA	
10	065216-000	Base plate	1	EA	
11	028728-000	FOOT	4	EA	
12	077696-000	TURNTABLE TRAY AND SUPPORT KIT	1	EA	
Not Shown	NOTE	(BEFORE SERIAL V51SSA005744)		EA	

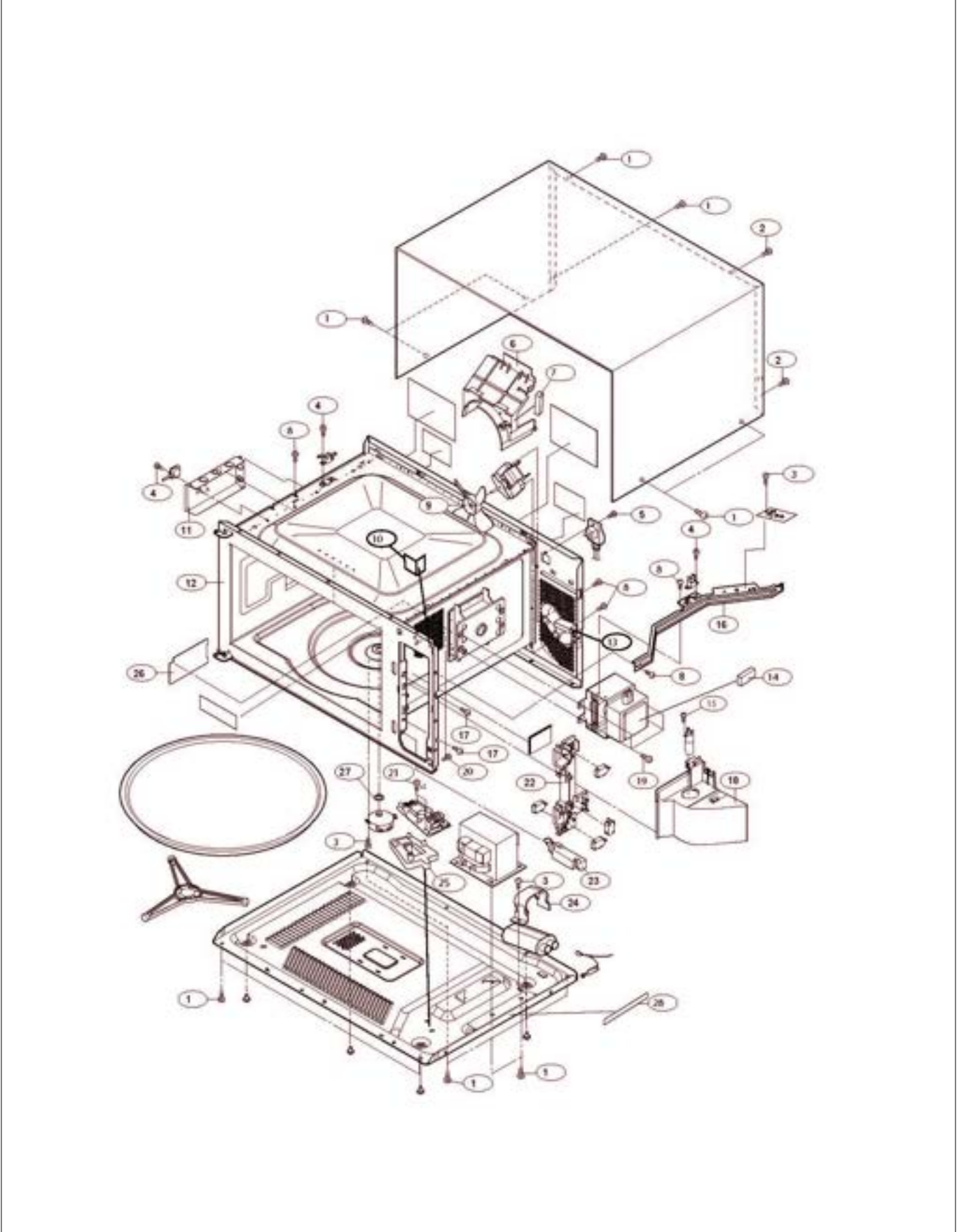
VMOS501SS Electrical





Item	Part No.	Name	Qty	Uom	NOTES
1	065213-000	Noise filter	1	EA	
2	065215-000	C/T fuse	1	EA	
3	PM100002	POWER CORD	1	EA	
4	067605-000	AH sensor	1	EA	
5	063768-000	MAGNETRON	1	EA	
6	PM100065	LIGHT BULB	1	EA	
7	062583-000	SECONDARY/THIRD/STOP SWITCH	3	EA	
8	019082-000	POWER TRANSFORMER	1	EA	
9	065174-000	Switching power supply	1	EA	
10	PM100069	TURNTABLE MOTOR	1	EA	
11	065214-000	Fan motor	1	EA	
12	063005-000	SWITCH	1	EA	
13	028723-000	HIGH VOLTAGE CAPACITOR	1	EA	
14	065212-000	High voltage rectifier assembly	1	EA	

VMOS501SS Oven Parts

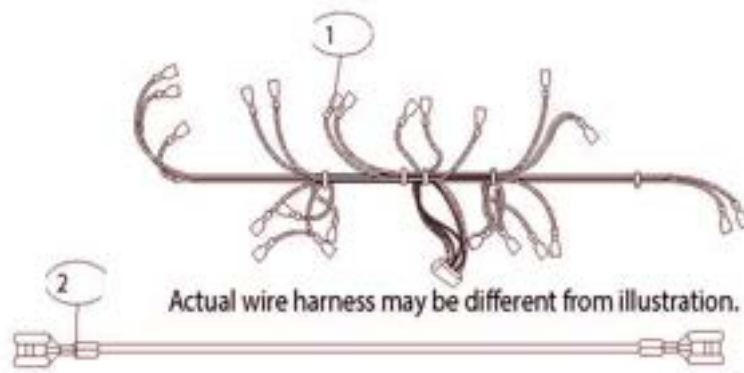






Item	Part No.	Name	Qty	Uom	NOTES
1	PM120159	SCREW	19	EA	
2	PM120005	SCREW	2	EA	
3	063186-000	SCREW	4	EA	
4	028719-000	SCREW : 3MM X 8MM	3	EA	
5	019110-000	SCREW 4MM X 12MM	1	EA	
6	065220-000	Fan duct	1	EA	
7	028756-000	FAN DUCT CUSHION	1	EA	
8	PM120148	SCREW : 3MM X 14MM	4	EA	NO LONGER AVAILABLE, Not available online / Call for pricing and availability
9	065219-000	Fan blade	1	EA	
10	028754-000	C/P CAVITY CUSHION	1	EA	
11	028753-000	SENSOR DUCT	1	EA	
12	N/A	Oven cavity (Not a replaceable part)	1	EA	
13	028758-000	FAN MOTOR CUSHION	1	EA	
14	028760-000	MAG CUSHION	1	EA	
15	PM120159	SCREW	1	EA	
16	028759-000	CHASSIS SUPPORT	1	EA	
17	PM120003	SCREW	3	EA	
18	028761-000	MAGNETRON DUCT	1	EA	
19	028721-000	SCREW	4	EA	
20	028765-000	SCREW	1	EA	
21	022262-000	SCREW; 3MM X 10MM	2	EA	
22	057735-000	LATCH HOOK	1	EA	
23	PM120006	SWITCH LEVER	1	EA	
24	028724-000	H.V. CAPACITOR BAND	1	EA	
25	065221-000	PWB holder	1	EA	
26	028768-000	WAVEGUIDE COVER	1	EA	
27	028725-000	TURNTABLE MOTOR PACKING	1	EA	
28	028727-000	BASEPLATE CUSHION	1	EA	

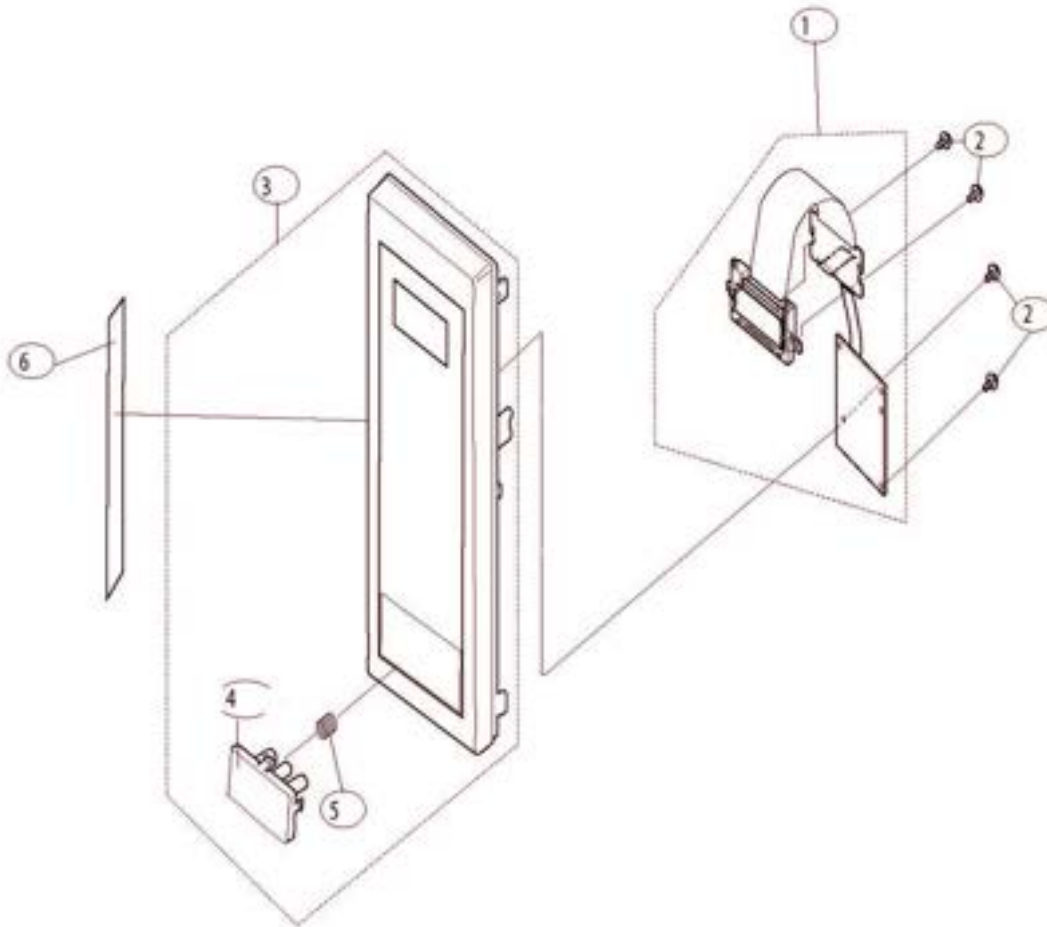






Item	Part No.	Name	Qty	Uom	NOTES
1	067607-000	Main wire harness	1	EA	
2	028796-000	HIGH VOLTAGE WIRE A	1	EA	

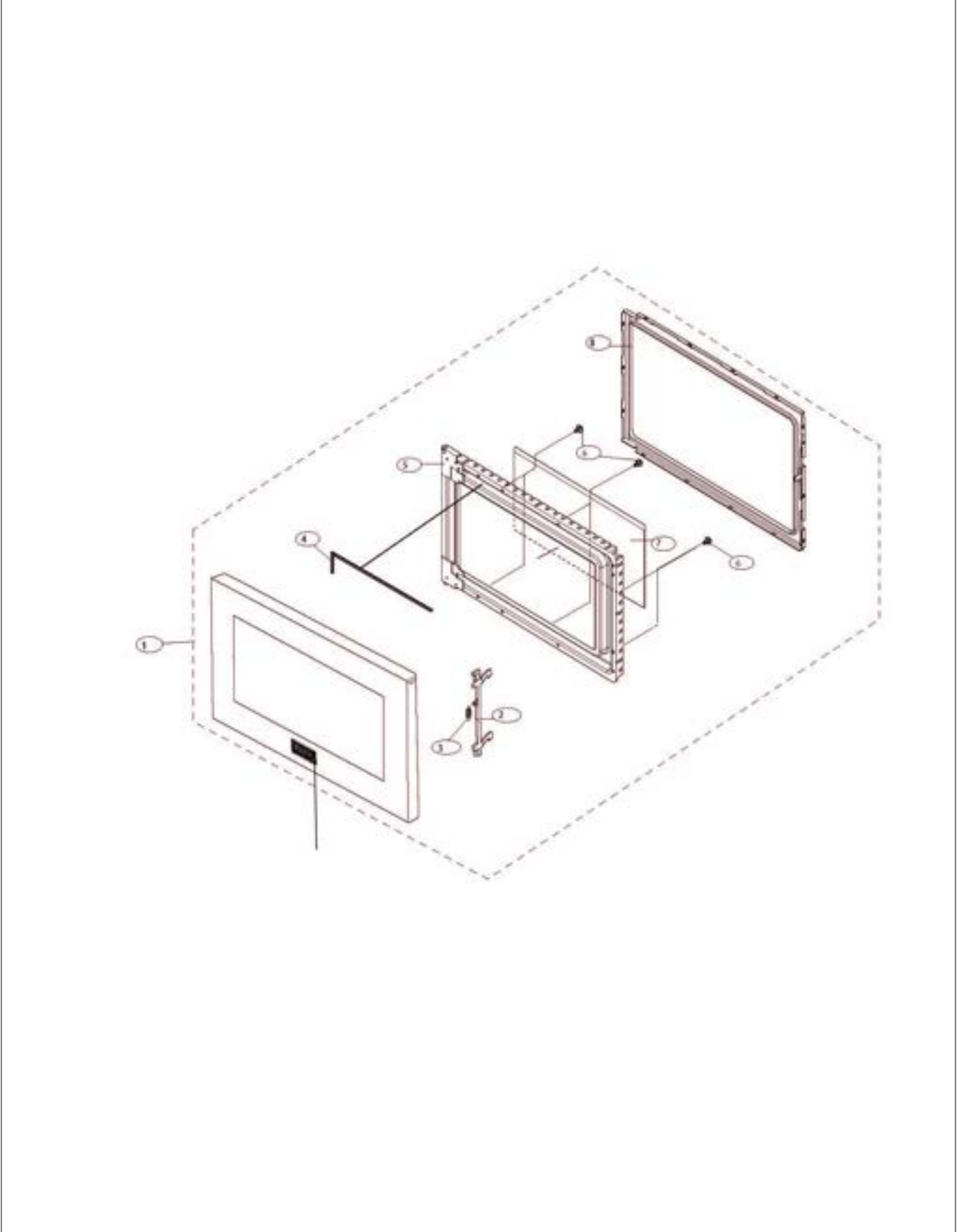
VMOS501SS Control Panel





Item	Part No.	Name	Qty	Uom	NOTES
1	067606-000	Control unit	1	EA	
2	022383-000	SCREW	4	EA	
3	068698-000	Control panel frame with key unit	1	EA	
4	065218-000	Open button	1	EA	
5	PM120044	OPEN BUTTON SPRING	1	EA	
6	PM120021	USER CAUTION LABEL	1	EA	NO LONGER AVAILABLE

VMOS501SS Door Parts





Item	Part No.	Name	Qty	Uom	NOTES
1	068699-000	Door assembly	1	EA	
2	022272-000	LATCH HEAD	1	EA	
3	PM120007	LATCH SPRING	1	EA	
4	PM120032	DOOR CUSHION PCUSUB058MRP0	1	EA	
5	PM110005	INNER DOOR PANEL	1	EA	
6	022383-000	SCREW	6	EA	
7	PM120016	SEALER FILM	1	EA	
8	PM110008	CHOKE COVER	1	EA	
9	061247-000	NAMEPLATE, VIKING, 3.500", NO PINS	1	EA	



Appendix A:Pages Index

VMOS501SS Cabinet ..... 1  
VMOS501SS Control Panel ..... 5  
VMOS501SS Door Parts ..... 6  
VMOS501SS Electrical ..... 2  
VMOS501SS Misc ..... 4  
VMOS501SS Oven Parts ..... 3





Appendix B:Parts Index

019082-000	2	065221-000	3
019110-000	3	065224-000	1
022237-000	1	065225-000	1
022262-000	3	065226-000	1
022272-000	6	067605-000	2
022383-000	5, 6	067606-000	5
028719-000	3	067607-000	4
028721-000	3	068698-000	5
028723-000	2	068699-000	6
028724-000	3	076055-000	1
028725-000	3	076056-000	1
028726-000	1	077696-000	1
028727-000	3	PM100002	2
028728-000	1	PM100065	2
028753-000	3	PM100069	2
028754-000	3	PM110005	6
028756-000	3	PM110008	6
028757-000	1	PM120003	3
028758-000	3	PM120005	3
028759-000	3	PM120006	3
028760-000	3	PM120007	6
028761-000	3	PM120016	6
028765-000	3	PM120021	5
028768-000	3	PM120032	6
028796-000	4	PM120036	1
057735-000	3	PM120044	5
061247-000	6	PM120148	3
062583-000	2	PM120159	3, 3
063005-000	2		
063186-000	3		
063768-000	2		
065174-000	2		
065212-000	2		
065213-000	2		
065214-000	2		
065215-000	2		
065216-000	1		
065218-000	5		
065219-000	3		
065220-000	3		