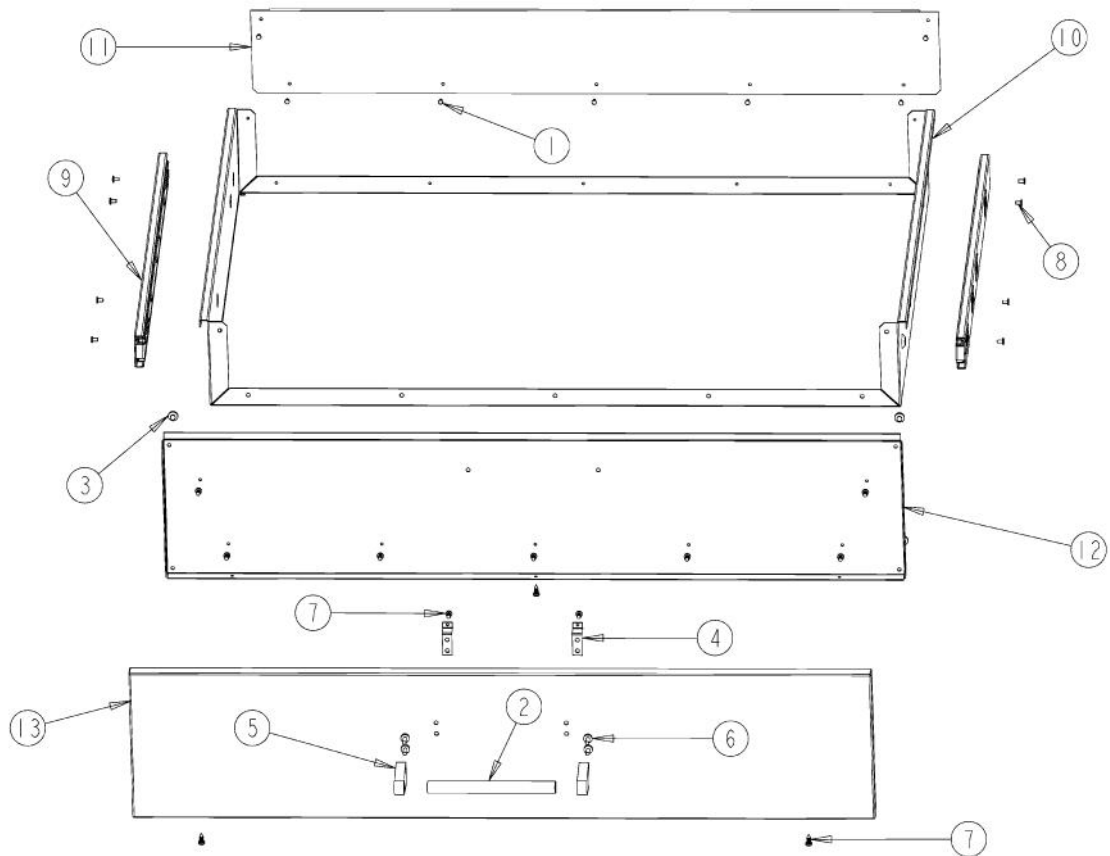
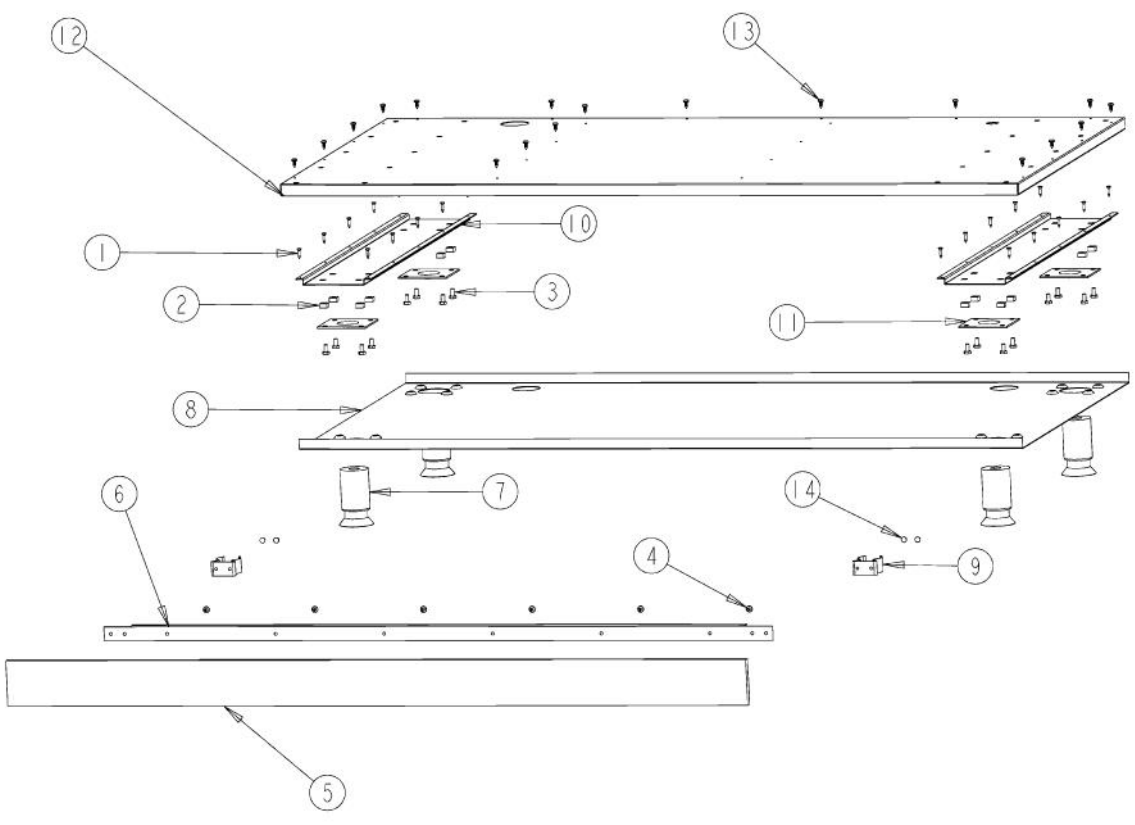


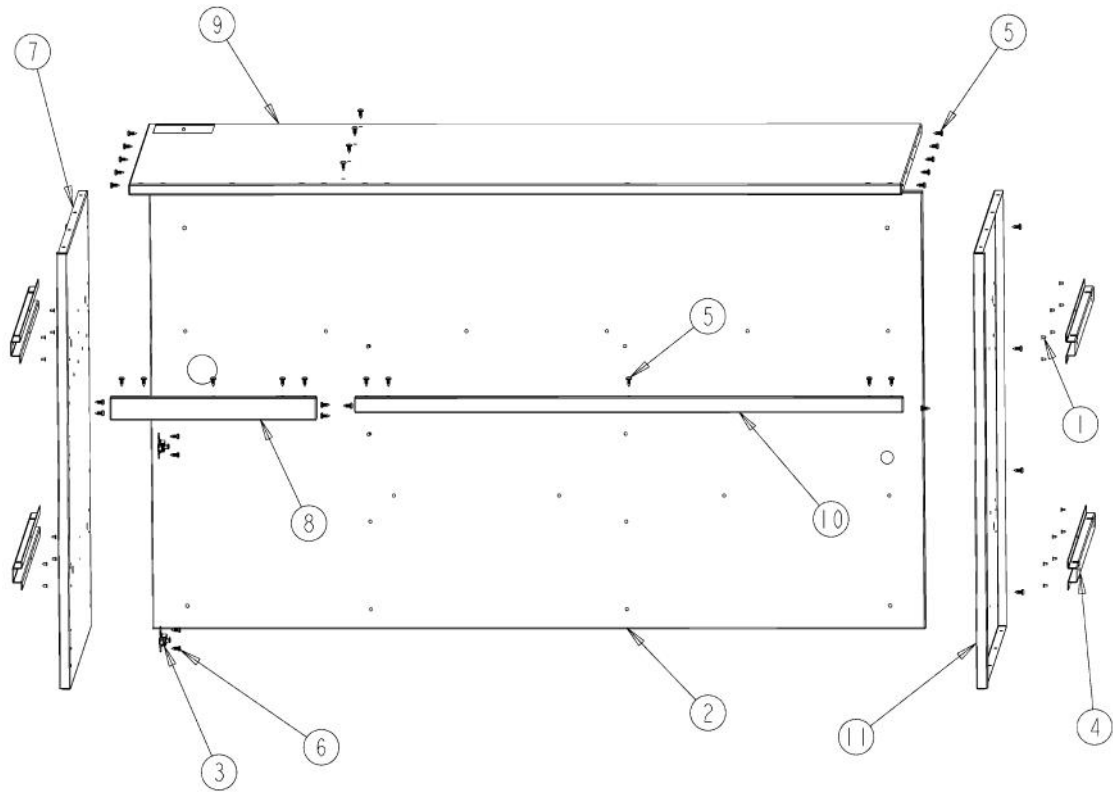
Ref #	Part Number	Qty.	Description
1	PD030098		8-32 HEX KEP NUT S.S.
2	PD020119		8-32X3/8 PH CTR. MACH.SCREW S.S.
3	PE030189		CABINET HANDLE
4	PC020172		DOOR HINGE (BBQ)
5	PD040004		GROMMET BUMPER
6	B20013950		HANDLE BRACKET (VBO/VTPO18)
7	PE030187		ENDCAP, TUBE
8	PD020056		NO. 10-24 X 1/2 PH.TR. M.S. SS
9	PD020120		8 X 1/2 TEK SHEET METAL SCREW
10	B20013942		I/S DOOR (VQBO3021)
11	B30013941		OUTER DOOR PANEL (VQBO3021)
NI	G32013943SS		DOOR ASSEMBLY (VQBO3021)



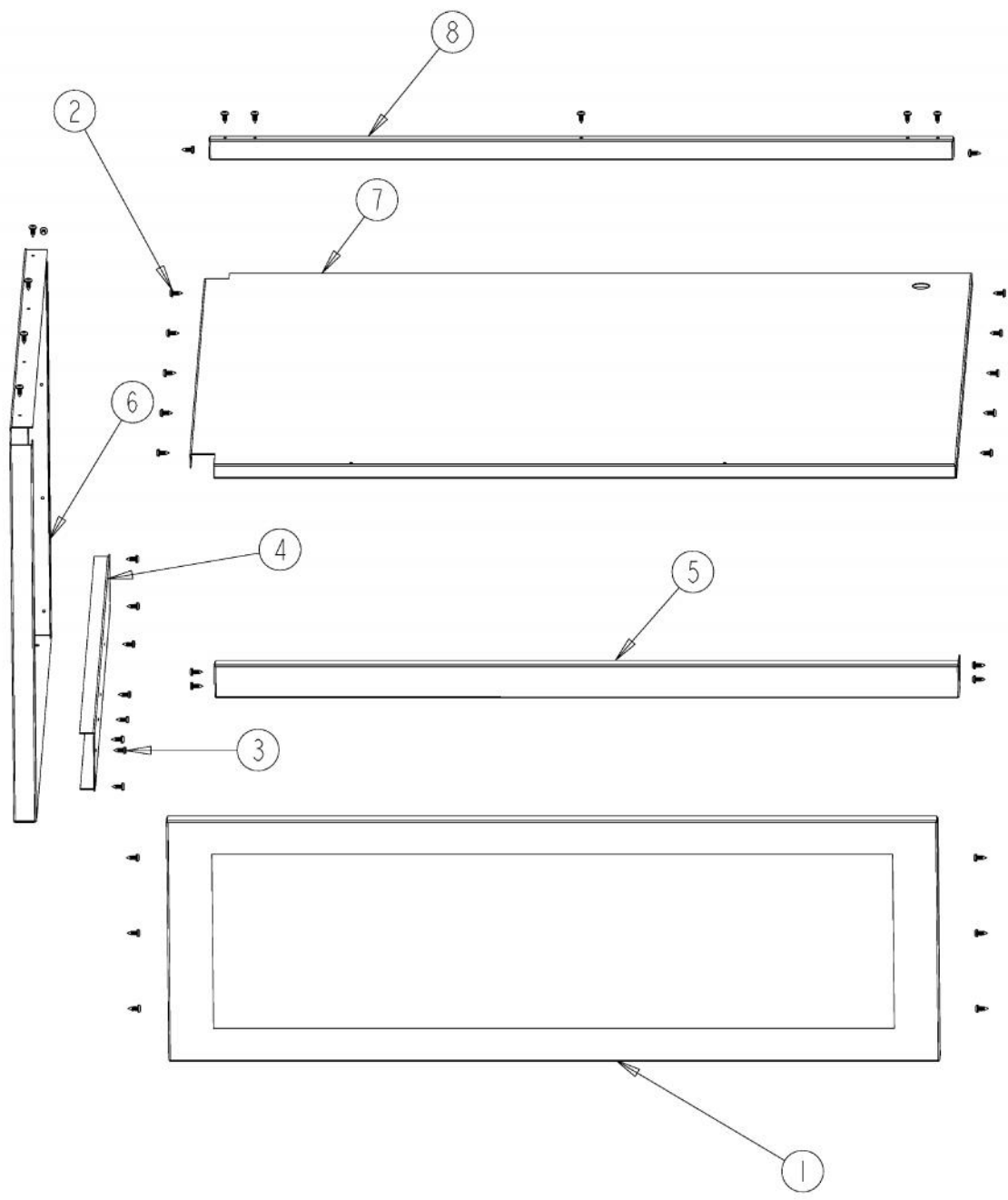
Ref #	Part Number	Qty.	Description
1	PC040014		POP RIVOT-SS42 SS
2	PE030189		CABINET HANDLE
3	PD040004		GROMMET BUMPER
4	B20013950		HANDLE BRACKET (VBO/VTPO18)
5	PE030187		ENDCAP, TUBE
6	PD020056		NO.10-24 X 1/2 PH.TR. M.S. SS
7	PD020120		8 X 1/2 TEK SHEET METAL SCREW
8	PC040019		POP RIVET (0.125 GR X 0.156 DIA)
9	PC080010		SLIDE
10	B20015107		DRAWER (VQWO53)
11	B20015108		DRAWER REAR (VQWO53)
12	B20015105		INNER DRAWER DOOR (VQWO53)
13	B30015104		OUTER DRAWER DOOR (VQWO53)
NI	G32015106SS		DRAWER ASSY (VQWO53)



Ref #	Part Number	Qty.	Description
1	PD020061		NO.8 X 3/4 FLAT HD TEK. SS.
2	PD030043		1/4-20 CAGE NUT SS
3	PD010006		HEX HD. BOLT - 1/4-20 X 1/2
4	PD020002		10 X 1/2 PH.TR.HD.SMS.
5	PK030480		53 KICK PLATE (VBP53) 54.000 X 3.250
6	A20014847		KICK PLATE MOUNT BRKT (VBP53)
7	PC030017		4 LEG ASSY
8	B20014882		BOTTOM COVER (VQBO5322)
9	PD030002		LOWER ACC PAN SPRING CLAMP (SYWE1)
10	A20013935		LEG BRACE (VQBO3021)
11	PC030007		LEG PLATE - 3/4 THREADED HOLE
12	B20014881		MAIN BOTTOM (VQBO5322)
13	PD020055		NO.10 X 1/2 PAN PHIL. TEK. SS
14	PC040003		POP RIVET - SB64 3/16DIA.X 3/8



Ref #	Part Number	Qty.	Description
1	PC040014		POP RIVOT-SS42 SS
2	B20014883		REAR (VQBO5322)
3	PC020173		DOOR HINGE RECEIVER (BBQ)
4	A20013956		MOUNT BRACKET (CABINETS)
5	PD020055		NO.10 X 1/2 PAN PHIL. TEK. SS
6	PD020120		8 X 1/2 TEK SHEET METAL SCREW
7	B20013937		LH I/S SIDE (VQBO3021)
8	B20013949		TOP SUPPORT (VQBO3021)
9	B20015100		TOP (VQB53/VQO53)
10	B20015109		TOP SUPPORT (VQWO53)
11	B20014687		RH I/S SIDE (VQWO30/41)



Ref #	Part Number	Qty.	Description
1	B30015103		FRONT FASCIA (VQWO53)
2	PD020055		NO.10 X 1/2 PAN PHIL. TEK. SS
3	PD020120		8 X 1/2 TEK SHEET METAL SCREW
4	B20013954		DRAWER MOUNT BRACKET (VQBO3021)
5	B20015110		DRAWER DIVIDER (VQWO53)
6	B20015102		I/S MIDDLE WALL (VQWO53)
7	B20015101		MIDDLE SUPPORT (VQWO53)
8	B20015109		TOP SUPPORT (VQWO53)