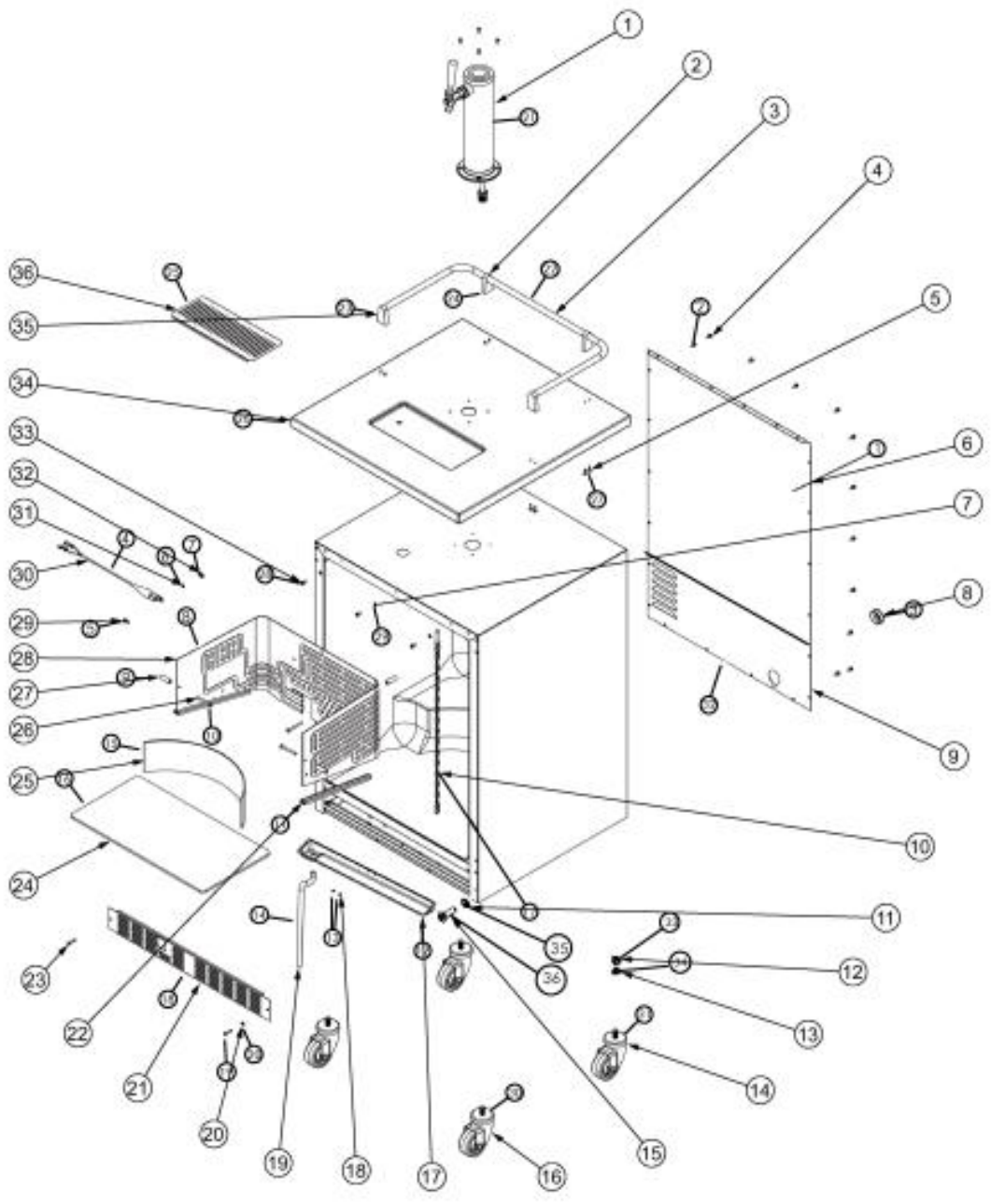
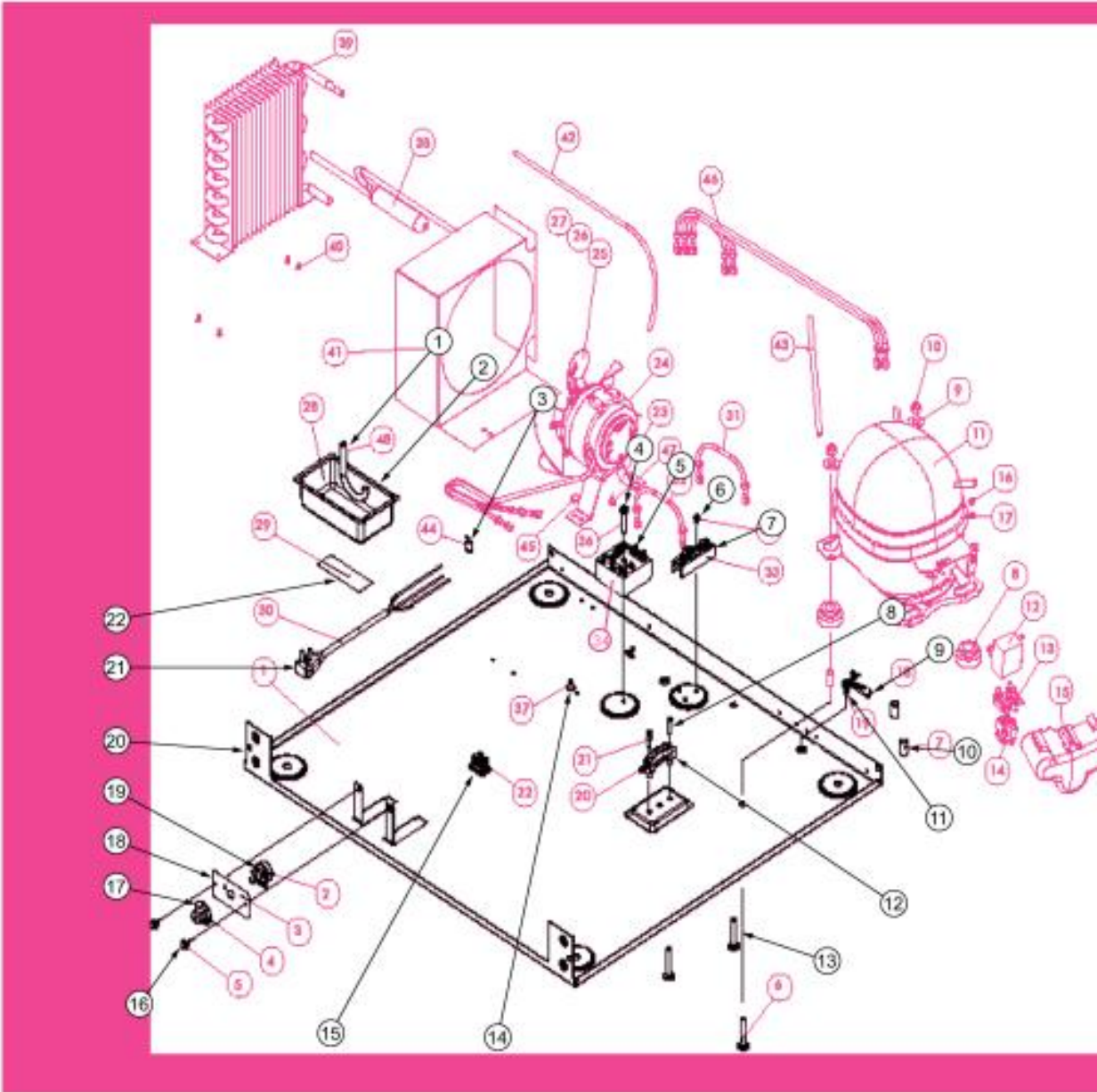


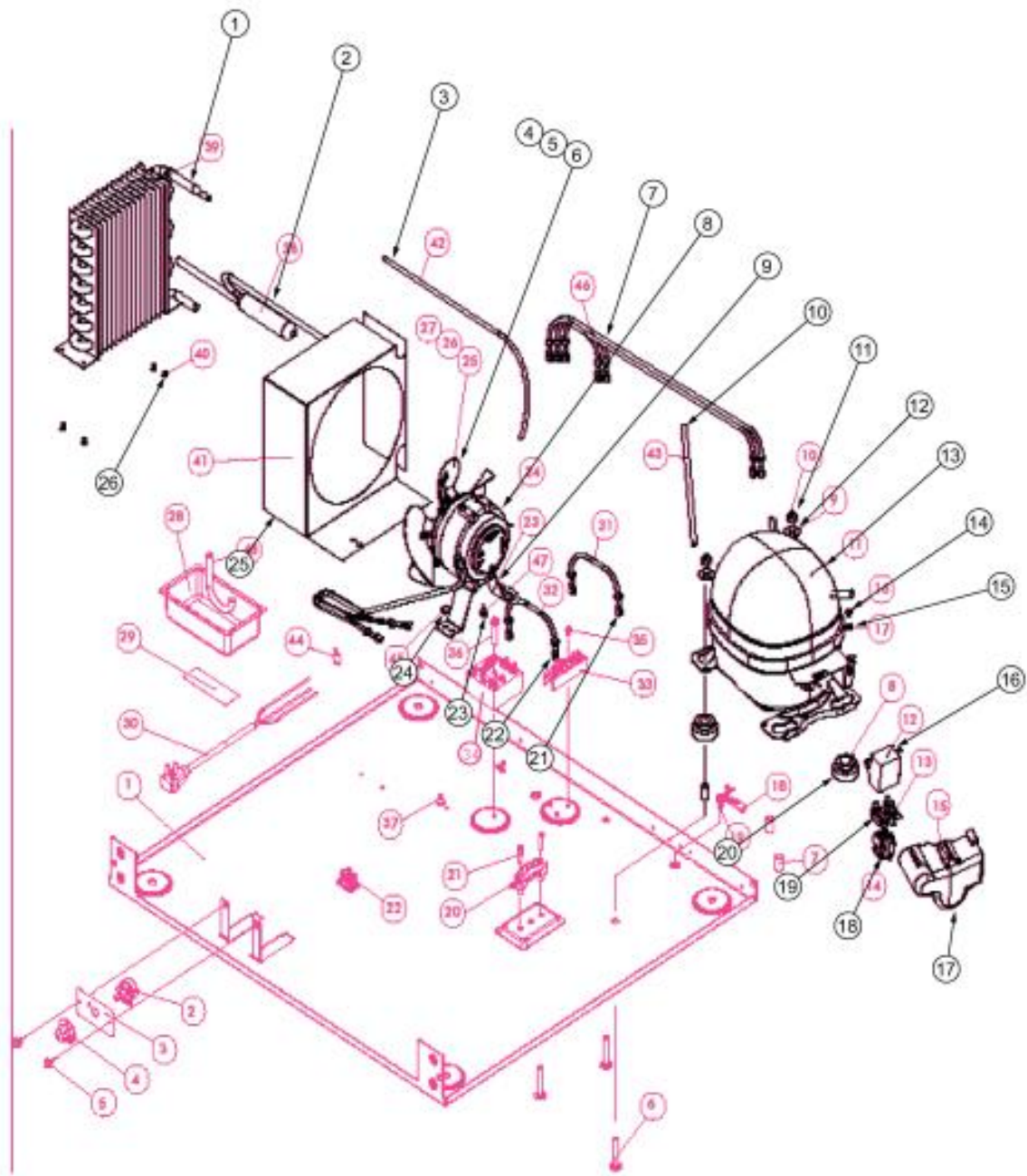
Ref #	Part Number	Qty.	Description
1	009519-000	1	HANDLE TUBE, SS
2	009669-000	1	END CAP W/SET SCREW
3	009641-000	2	VIKING HANDLE STAND-OFF STUD
4	022727-000	1	DOOR ASSY, RH SS (DOES NOT INCLUDE HANDLE OR HIN...
No.	022728-000	1	DOOR ASSY, LH SS (DOES NOT INCLUDE HANDLE OR HING...
5	009523-000	1	DOOR GASKET - WH
6	009760-000	1	HINGE ADAPTER, TOP, SS
7	009757-000	1	HINGE ADAPTER, BOTTOM, SS
8	009755-000	2	NYLON HINGE BUSHING
9	009761-000	2	WASHER, NYLON
10	010212-000	4	SCREW, 1/4-20 SS
11	PW230007	1	NAMEPLATE, PRO
12	009643-000	2	SCREW
13	009644-000	2	SET SCREW
14	010211-000	1	END CAP BOT W/SS
No.	010221-000	1	DOOR HINGE, RIGHT TOP - SS
No.	010244-000	1	HINGE, RIGHT BOTTOM - SS
No.	022729-000	1	HINGE PIN, TOP
No.	022730-000	1	HINGE PIN, BOTTOM
No.	010223-000	6	SCREW, NO.10-32 X .75 COUNTERSUNK, SS



Ref #	Part Number	Qty.	Description
1	022731-000	1	TAP TOWER, SS (SCREWS INCLUDED)
2	022755-000	2	MIDDLE CAP SUPPORT
3	022756-000	1	RAILING, SS
4	009515-000	20	NO.10-32 X 1/2 HEX WASHER HEAD SCREW
5	NON-SERVICEABLE	8	NO.10-24 X 1/2? PHILLIPS HEAD SCREW, ZN
6	022757-000	1	BACK PANEL, SS
7	NON-SERVICEABLE	3	NO.10 FLAT WASHER, SS
8	NON-SERVICEABLE	1	RUBBER GROMMET, BLACK
9	022734-000	1	BACK SHROUD, SS
10	022735-000	1	CO2 TANK RESTRAINT
11	NON-SERVICEABLE	4	NO.10 CSK WASHER
12	NON-SERVICEABLE	4	3/8-16 HEX NUT
13	NON-SERVICEABLE	4	3/8 LOCKWASHER
14	022758-000	2	CASTORS, NON-LOCKING
15	NON-SERVICEABLE	4	NO.10-32 X 3/4 FLHD SCR.
16	022759-000	2	CASTORS, LOCKING
17	022736-000	1	DRIP TRAY, WHITE
18	NON-SERVICEABLE	2	POP RIVET NO.AD43ABS ALUMINUM
19	022737-000	1	DRAIN TUBE, WHITE
20	NON-SERVICEABLE	1	NO.12 EXTERNAL TOOTH STAR WASHER, SS
21	022760-000	1	GRILLE, SS
22	009493-000	2	EVAPORATOR TRIM - WH
23	NON-SERVICEABLE	2	NO.10 X 1 TEK SCREW, SS
24	022739-000	1	FLOOR SHIELD, WHITE
25	022740-000	1	WALL SHIELD, WHITE
26	PW200007	3	SCREW, EVAPOR. (VUWC140)X 08204902
27	PW200009	3	EVAPORATOR SPACER
28	022741-000	1	EVAPORATOR ASSEMBLY, WHITE
29	009485-000	1	MACHINE SCREW - SS
30	022742-000	1	THERMOSTAT THERMISTOR
31	009486-000	1	NO.10 EXTERNAL TOOTH STAR WASHER, SS
32	NON-SERVICEABLE	1	NO.10-32 HEX MACHINE SCREW NUT
33	NON-SERVICEABLE	3	NO.10 X 3/4 HEX WASHER HEAD SCREW, SS
34	022761-000	1	COUNTERTOP, SS
35	022762-000	2	END CAP SUPPORT
36	022763-000	1	DRAIN GRATE



Ref #	Part Number	Qty.	Description
1	022751-000	1	?J? TRAP
2	010078-000	1	DRIP PAN
3	NON-SERVICEABLE	1	CABLE TIE
4	NON-SERVICEABLE	1	NO.10-32 X 1-1/4 HX.WSH.HD SCREW
5	022766-000	1	SSAC THERMOSTAT CONTROL
6	PW200029	1	SCREW
7	022767-000	1	TERMINAL BLOCK, ELECTRON, ESBI-3-5
8	NON-SERVICEABLE	2	SCREW, POWER CORD CLAMP
9	010353-000	1	GROUND WIRE
10	022768-000	4	SLEEVE .65? LONG
11	NON-SERVICEABLE	1	NO.8-32 X 1/4 PH.PAN HD. SCREW
12	022764-000	1	CLAMP, POWER CORD
13	PW200023	4	CARRIAGE BOLT
14	010062-000	2	CARRIAGE BOLT
15	007640-000	1	PLASTIC WIRE CLIP
16	009924-000	2	WASHER HD SCREW - ZN
17	022746-000	1	THERMOSTAT KNOB
18	022746-000	1	THERMOSTAT KNOB
19	022748-000	1	SSAC THERMOSTAT POTENTIOMETER
20	022765-000	1	BASEPLATE, COUNTERTOP UNIT
21	022750-000	1	POWER CORD
22	010079-000	1	TAPE - WH



Ref #	Part Number	Qty.	Description
1	010243-000	1	CONDENSER
2	022752-000	1	DRIER ASSEMBLY
3	007638-000	1	COPPER TUBING
4	009831-000	1	SILENCER (INCLUDED W/FAN)
5	022753-000	1	SPEED NUT
6	010248-000	1	FAN BLADE
7	010038-000	1	WIRE HARNESS
8	010249-000	1	FAN MOTOR
9	009633-000	1	FAN MOTOR BRACKET
10	022754-000	1	TUBING, .250 X 6.25
11	PW200017	4	LOCK NUT .25-.20 UNC
12	PW200018	4	.312 ID FLAT WASHER
13	010350-000	1	COMPRESSOR ASSEMBLY
14	009515-000	1	NO.10-32 X 1/2 HEX WASHER HEAD SCREW
15	007641-000	1	NO.10 EXTERNAL TOOTH LOCKWASHER
16	010239-000	1	RUN CAPACITOR
17	009507-000	1	RELAY COVER
18	010352-000	1	RELAY
19	010351-000	1	OVERLOAD
20	010036-000	4	GROMMET (COMES WITH COMPRESSOR)
21	NON-SERVICEABLE	1	WIRE, RED, 11.5? LONG
22	NON-SERVICEABLE	1	WIRE, WHITE,
23	NON-SERVICEABLE	2	NO.8-36 SCREW
24	NON-SERVICEABLE	2	NO.10-24 KEPS NUT
25	NON-SERVICEABLE	1	FAN SHROUD
26	NON-SERVICEABLE	4	POP RIVET