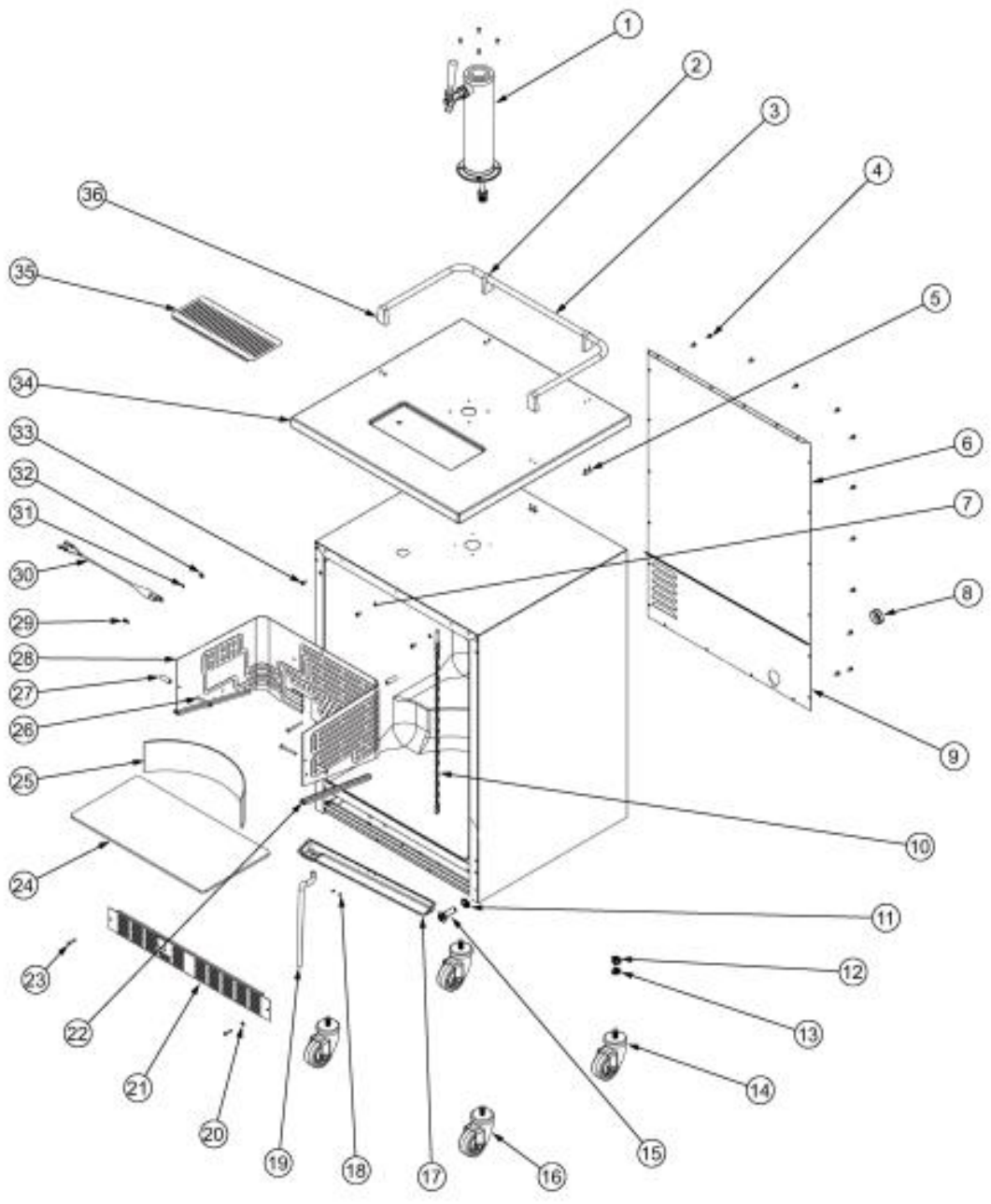
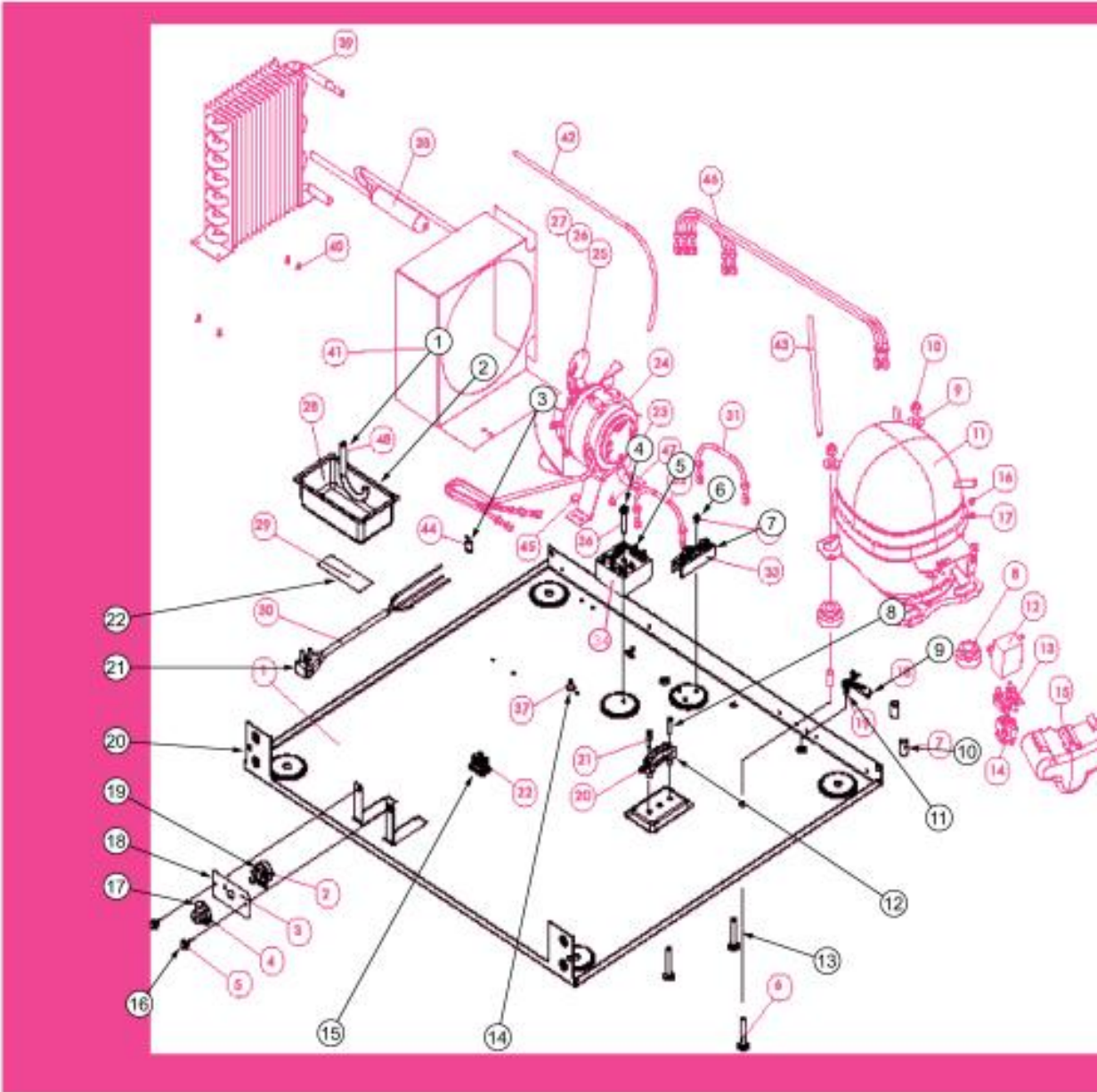


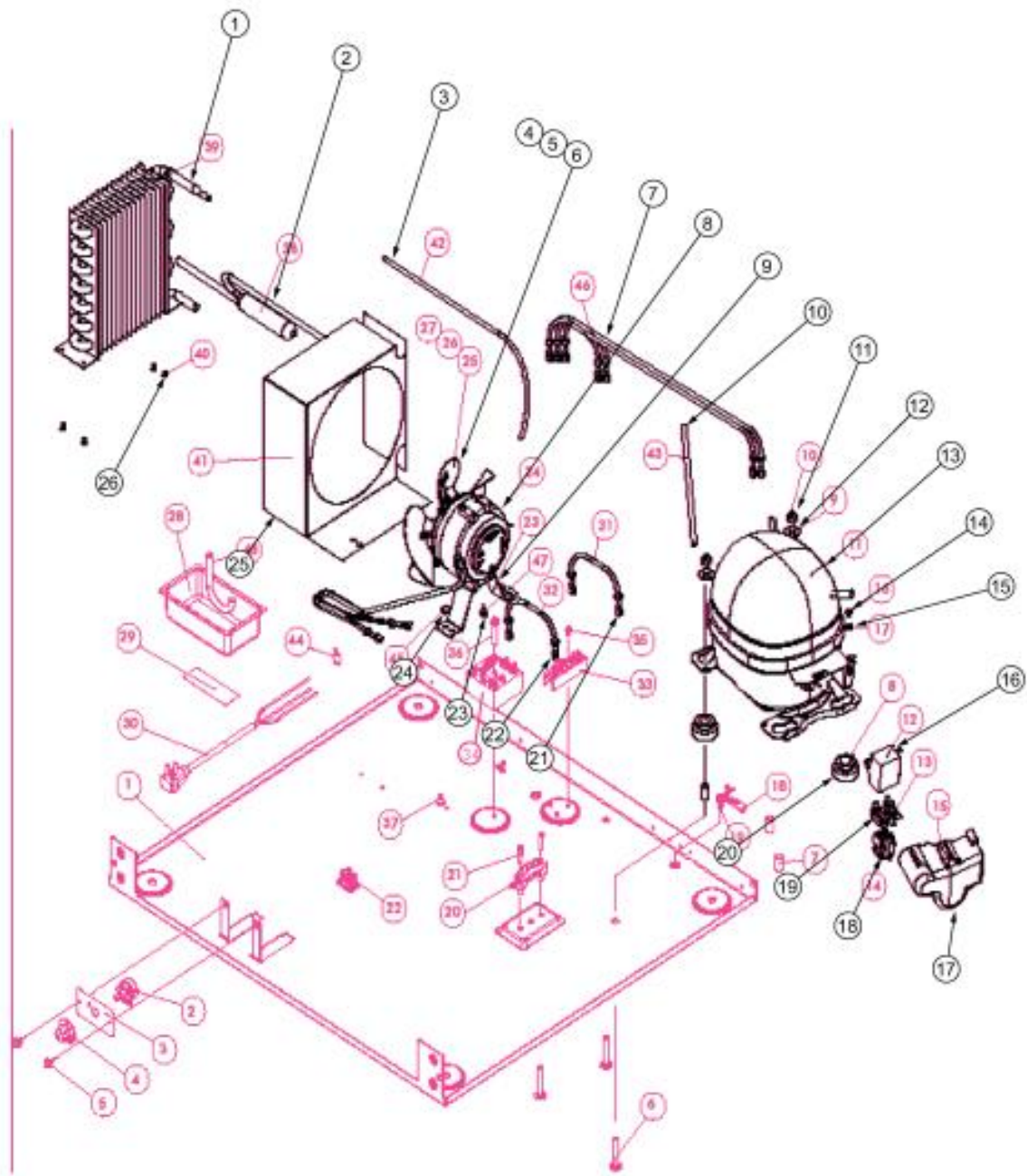
Ref #	Part Number	Qty.	Description
1	009519-000	1	HANDLE TUBE, SS
2	009669-000	1	END CAP W/SET SCREW
3	009641-000	2	VIKING HANDLE STAND-OFF STUD
4	022727-000	1	DOOR ASSY, RH SS (DOES NOT INCLUDE HANDLE OR HIN...
No.	022728-000	1	DOOR ASSY, LH SS (DOES NOT INCLUDE HANDLE OR HING...
5	PW230005	1	GASKET, DOOR (VUWC140) X 42241280
6	009760-000	1	HINGE ADAPTER, TOP, SS
7	009757-000	1	HINGE ADAPTER, BOTTOM, SS
8	009755-000	2	NYLON HINGE BUSHING
9	009761-000	2	WASHER, NYLON
10	010212-000	4	SCREW, 1/4-20 SS
11	PS100055	1	VIKING NAMEPLATE 142 WC (42242662)
12	PW300163	2	SCREW (VUIM150) 42243357
13	009644-000	2	SET SCREW
14	010211-000	1	END CAP BOT W/SS
No.	010221-000	1	DOOR HINGE, RIGHT TOP - SS
No.	010244-000	1	HINGE, RIGHT BOTTOM - SS
No.	022225-000	1	TOP HINGE PIN
No.	022730-000	1	HINGE PIN, BOTTOM
No.	010223-000	6	SCREW, NO.10-32 X .75 COUNTERSUNK, SS



Ref #	Part Number	Qty.	Description
1	022731-000	1	TAP TOWER, SS (SCREWS INCLUDED)
2	022755-000	2	MIDDLE CAP SUPPORT
3	022756-000	1	RAILING, SS
4	009515-000	20	NO.10-32 X 1/2 HEX WASHER HEAD SCREW
5	NON-SERVICEABLE	8	NO.10-24 X 1/2? PHILLIPS HEAD SCREW, ZN
6	022757-000	1	BACK PANEL, SS
7	NON-SERVICEABLE	3	NO.10 FLAT WASHER, SS
8	NON-SERVICEABLE	1	RUBBER GROMMET, BLACK
9	022734-000	1	BACK SHROUD, SS
10	022735-000	1	CO2 TANK RESTRAINT
11	NON-SERVICEABLE	4	NO.10 CSK WASHER
12	NON-SERVICEABLE	4	3/8-16 HEX NUT
13	NON-SERVICEABLE	4	3/8 LOCKWASHER
14	022758-000	2	CASTORS, NON-LOCKING
15	NON-SERVICEABLE	4	NO.10-32 X 3/4 FLHD SCR.
16	022759-000	2	CASTORS, LOCKING
17	PW210012	1	DRIP TRAY & 2 POP RVT(VUWC)42242603
18	NON-SERVICEABLE	2	POP RIVET NO.AD43ABS ALUMINUM
19	022737-000	1	DRAIN TUBE, WHITE
20	NON-SERVICEABLE	1	NO.12 EXTERNAL TOOTH STAR WASHER, SS
21	022760-000	1	GRILLE, SS
22	028399-000	2	EVAPORATOR TRIM, WHITE
23	NON-SERVICEABLE	2	NO.10 X 1 TEK SCREW, SS
24	022739-000	1	FLOOR SHIELD, WHITE
25	022740-000	1	WALL SHIELD, WHITE
26	PW200007	3	SCREW, EVAPOR. (VUWC140)X 08204902
27	PW200009	3	EVAPORATOR SPACER
28	028400-000	1	EVAPORATOR ASSEMBLY, WHITE
29	009485-000	1	MACHINE SCREW - SS
30	028401-000	1	THERMOSTAT THERMISTOR
31	009486-000	1	NO.10 EXTERNAL TOOTH STAR WASHER, SS
32	NON-SERVICEABLE	1	NO.10-32 HEX MACHINE SCREW NUT
33	NON-SERVICEABLE	3	NO.10 X 3/4 HEX WASHER HEAD SCREW, SS
34	028429-000	1	COUNTERTOP, SS
35	022762-000	2	END CAP SUPPORT
36	022763-000	1	DRAIN GRATE



Ref #	Part Number	Qty.	Description
1	022751-000	1	?J? TRAP
2	010078-000	1	DRIP PAN
3	NON-SERVICEABLE	1	CABLE TIE
4	NON-SERVICEABLE	1	NO.10-32 X 1-1/4 HX.WSH.HD SCREW
5	022935-000	1	SSAC THERMOSTAT CONTROL
6	PW200029	1	SCREW
7	028405-000	1	TERMINAL BLOCK, ELECTRON, ESBI-3-5
8	NON-SERVICEABLE	2	SCREW, POWER CORD CLAMP
9	PW300137	1	GROUND WIRE (VUIM150)
10	022768-000	4	SLEEVE .65? LONG
11	NON-SERVICEABLE	1	NO.8-32 X 1/4 PH.PAN HD. SCREW
12	022764-000	1	CLAMP, POWER CORD
13	PW200023	4	CARRIAGE BOLT
14	010062-000	2	CARRIAGE BOLT
15	007640-000	1	PLASTIC WIRE CLIP
16	009924-000	2	WASHER HD SCREW - ZN
17	022939-000	1	THERMOSTAT KNOB
18	028408-000	1	POTENTIOMETER MOUNTING BRACKET
19	022903-000	1	SSAC THERMOSTAT POTENTIOMETER
20	022765-000	1	BASEPLATE, COUNTERTOP UNIT
21	022932-000	1	POWER CORD (NOT SHOWN)
22	010079-000	1	TAPE - WH



Ref #	Part Number	Qty.	Description
1	PW240004	1	CONDENSER, R-134A
2	022752-000	1	DRIER ASSEMBLY
3	007638-000	1	COPPER TUBING
4	009831-000	1	SILENCER (INCLUDED W/FAN)
5	022753-000	1	SPEED NUT
6	028421-000	1	FAN BLADE
7	010038-000	1	WIRE HARNESS
8	PW240005	1	FAN/MTR ASSY COMPLETE VUWC
9	009633-000	1	FAN MOTOR BRACKET
10	022754-000	1	TUBING, .250 X 6.25
11	PW200017	4	LOCK NUT .25-.20 UNC
12	PW200018	4	.312 ID FLAT WASHER
13	008167-000	1	TRIM SCREWS SS (PACKAGE OF 6)
14	009515-000	1	NO.10-32 X 1/2 HEX WASHER HEAD SCREW
15	007641-000	1	NO.10 EXTERNAL TOOTH LOCKWASHER
16	PS100023	1	RUN CAPACITOR (42245134) 152 WC
17	022368-000	1	TERMINAL COVER
18	PS100021	1	PTC RELAY (42245131) 152 WC
19	PS100020	1	OVERLOAD (42245133) 152 WC
20	010036-000	4	GROMMET (COMES WITH COMPRESSOR)
21	NON-SERVICEABLE	1	WIRE, RED, 11.5? LONG
22	NON-SERVICEABLE	1	WIRE, WHITE,
23	NON-SERVICEABLE	2	NO.8-36 SCREW
24	NON-SERVICEABLE	2	NO.10-24 KEPS NUT
25	NON-SERVICEABLE	1	FAN SHROUD
26	NON-SERVICEABLE	4	POP RIVET