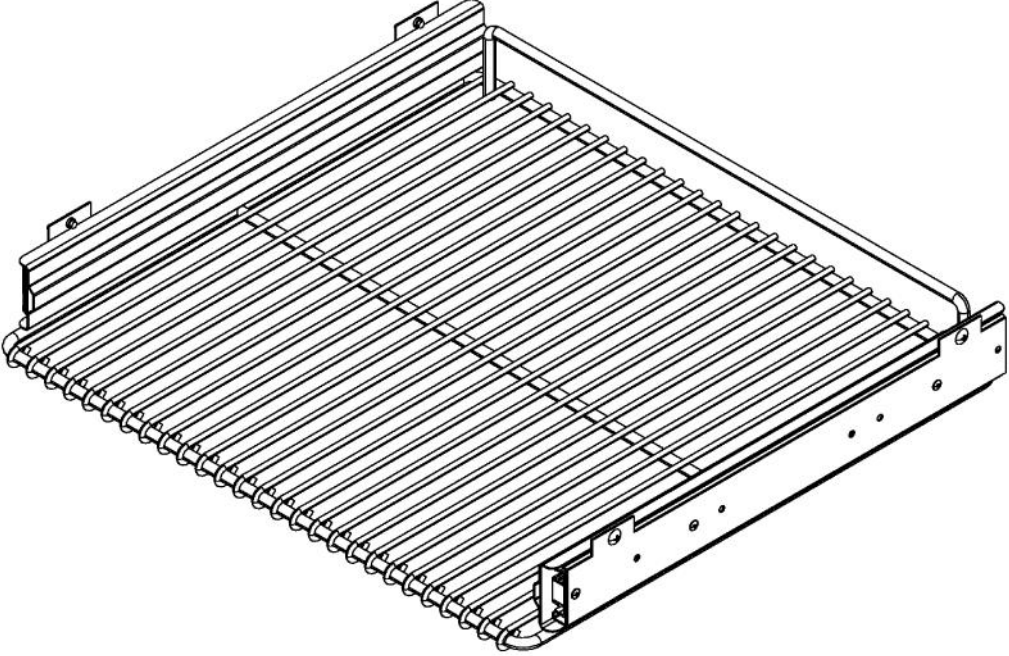
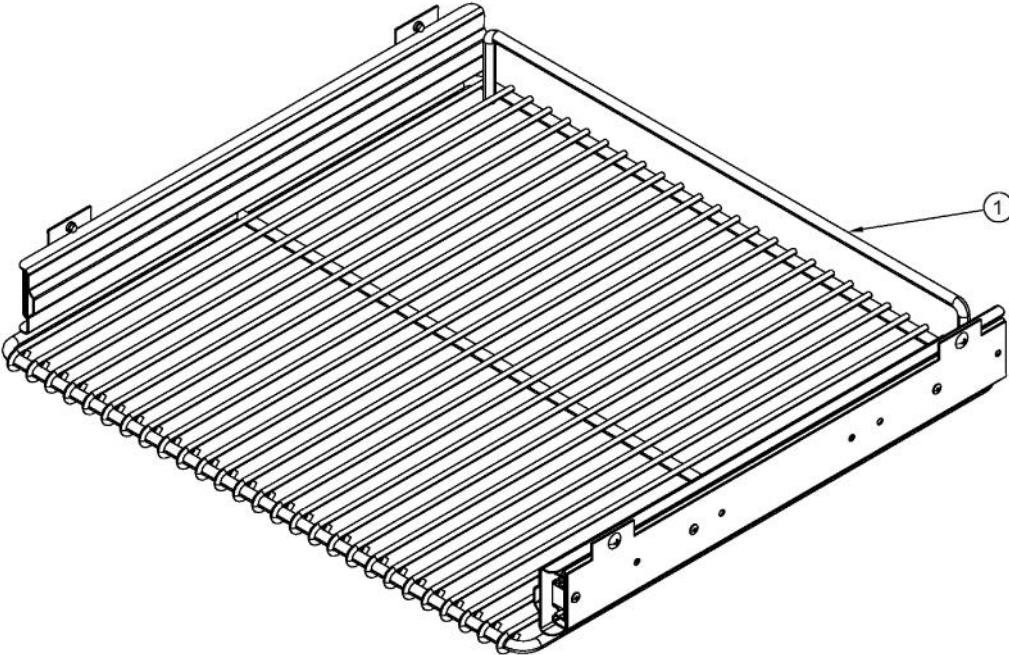
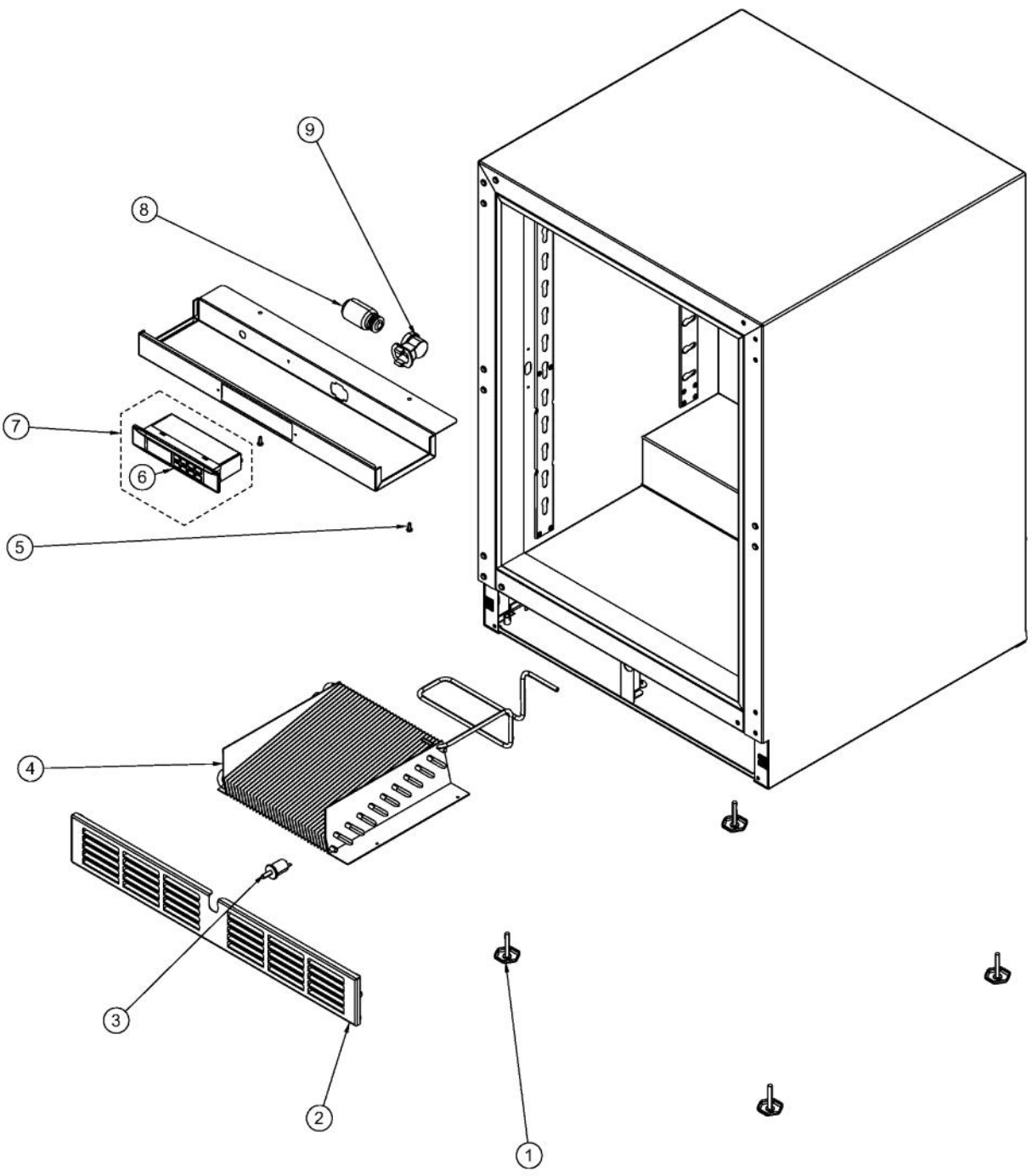


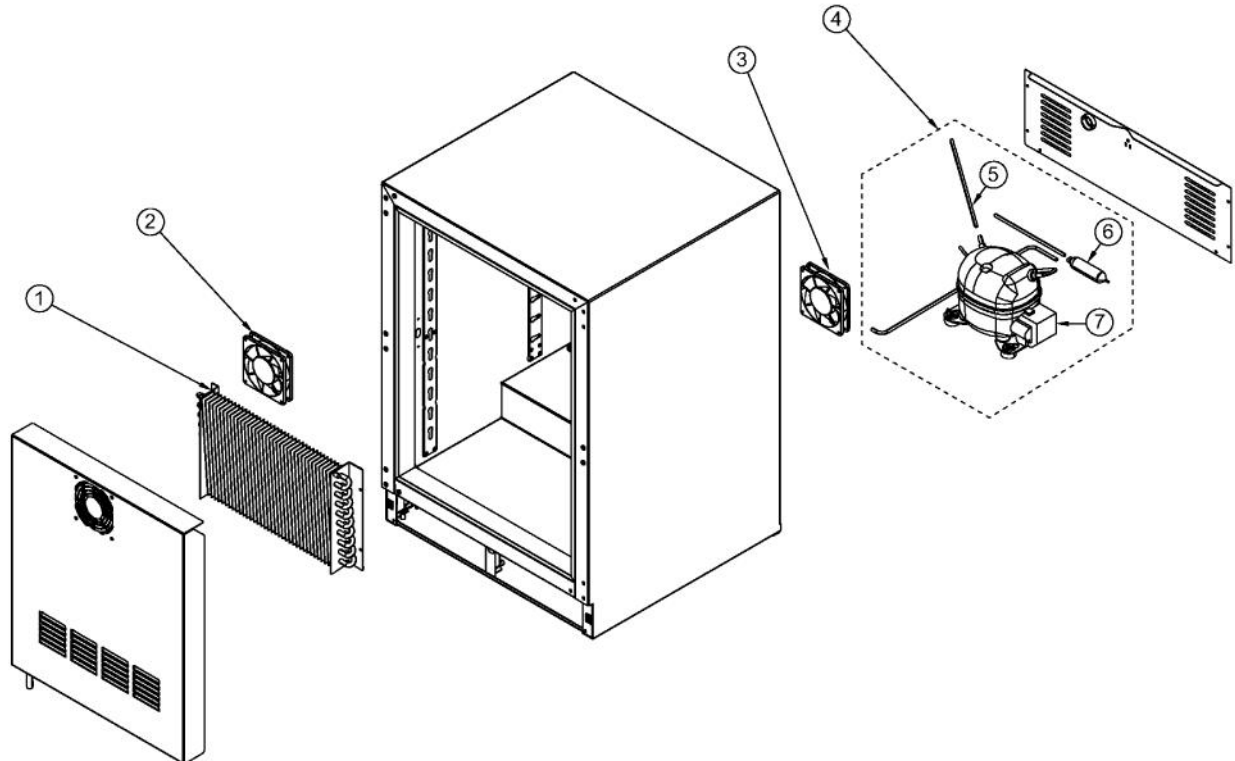
Ref #	Part Number	Qty.	Description
1	032969-000	1	RD-VK-24-L3, CLEAR GLASS W/SS BORDER DOOR PANEL A...
2	033020-000	1	HINGE KIT, LH
3	033017-000	1	HANDLE
4	033016-000	2	HANDLE END CAP
5	033018-000	4	SCREW, HANDLE MOUNTING
6	032972-000	1	DOOR GASKET, 24
7	033015-000	2	PLUNGER FASTENER
8	032973-000	1	PLUNGER BRACKET



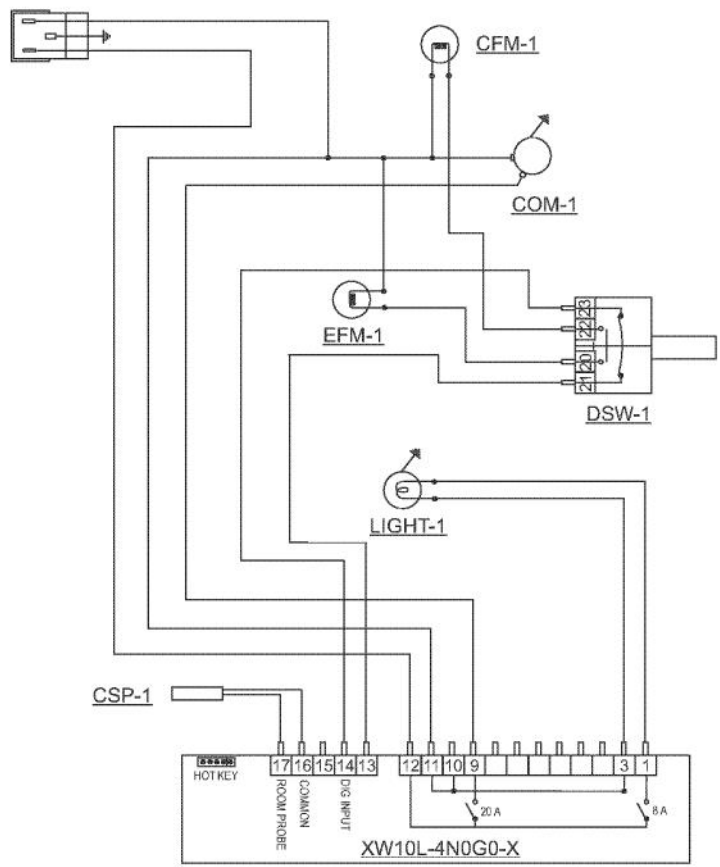
Ref #	Part Number	Qty.	Description
1	033049-000	1	SHELF ASSEMBLY, 24



Ref #	Part Number	Qty.	Description
1	033033-000	4	LEVELLING LEG
2	033032-000	1	GRILLE ASSEMBLY, 24
3	033040-000	1	DOOR SWITCH
4	033041-000	1	CONDENSER
5	033024-000	2	FASTENER, CONTROL MOUNTING
6	033023-000	1	CONTROLLER FACE PLATE
7	033022-000	1	CONTROLLER ASSY
8	033026-000	1	LIGHT BULB
9	033027-000	1	LIGHT SOCKET
NI	033028-000	1	HARNESS, CONTROLLER
NI	033039-000	1	HARNESS, MACHINE COMPARTMENT
NI	033025-000	1	SENSOR



Ref #	Part Number	Qty.	Description
1	033029-000	1	EVAP ASSEMBLY
2	033030-000	1	FAN MOTOR
3	033038-000	1	CONDENSER FAN MOTOR
4	033034-000	1	COMPRESSOR KIT
5	033037-000	2	PROCESS TUBE
6	033035-000	1	DRIER
7	033036-000	1	COMP. START COMPONENTS
NI	033031-000	1	HARNESS, FAN MOTOR
NI	033042-000	1	POWER CORD



- XW10L - REFRIGERATION SYSTEM CONTROLLER
- DSW-1 - LIGHT AND EVAPORATOR FAN MOTOR DOOR SWITCH
- LIGHT-1 - COMPARTMENT LIGHT
- EFM-1 - EVAPORATOR FAN MOTOR
- CSP-1 - REFRIGERATED COMPARTMENT SENSOR PROBE
- CFM-1 - CONDENSER FAN MOTOR
- COMP-1 - COMPRESSOR

Ref #	Part Number	Qty.	Description
-------	-------------	------	-------------
