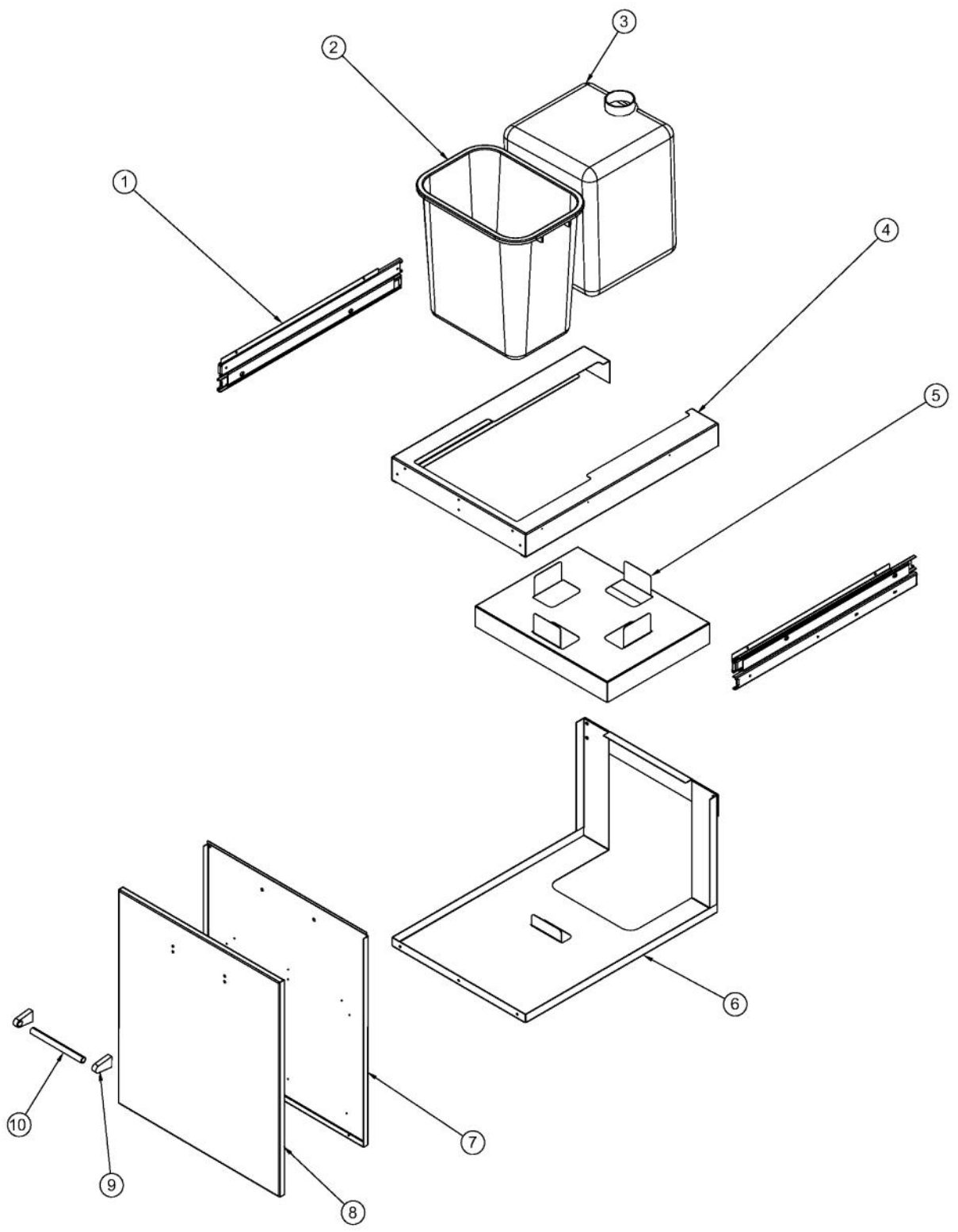
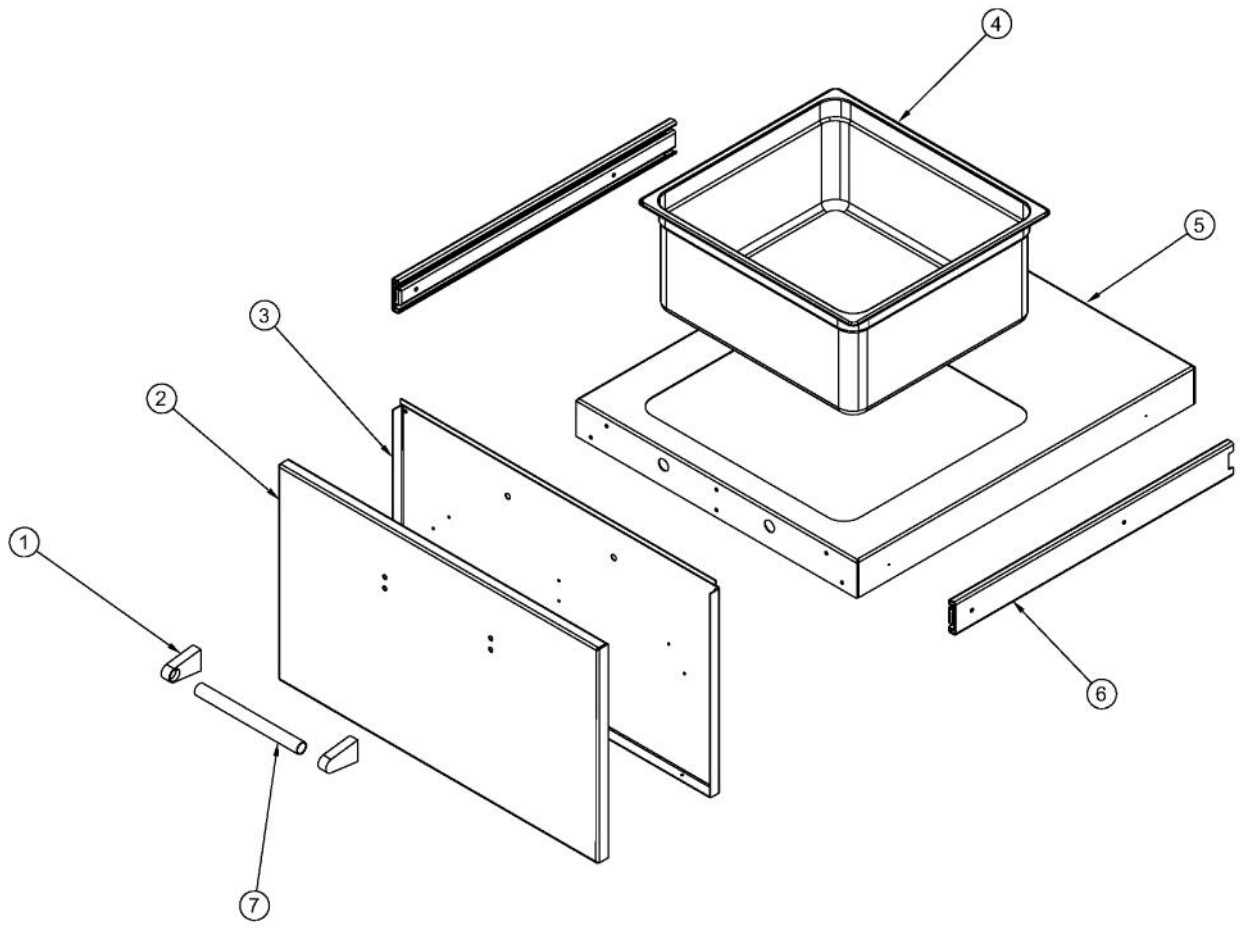


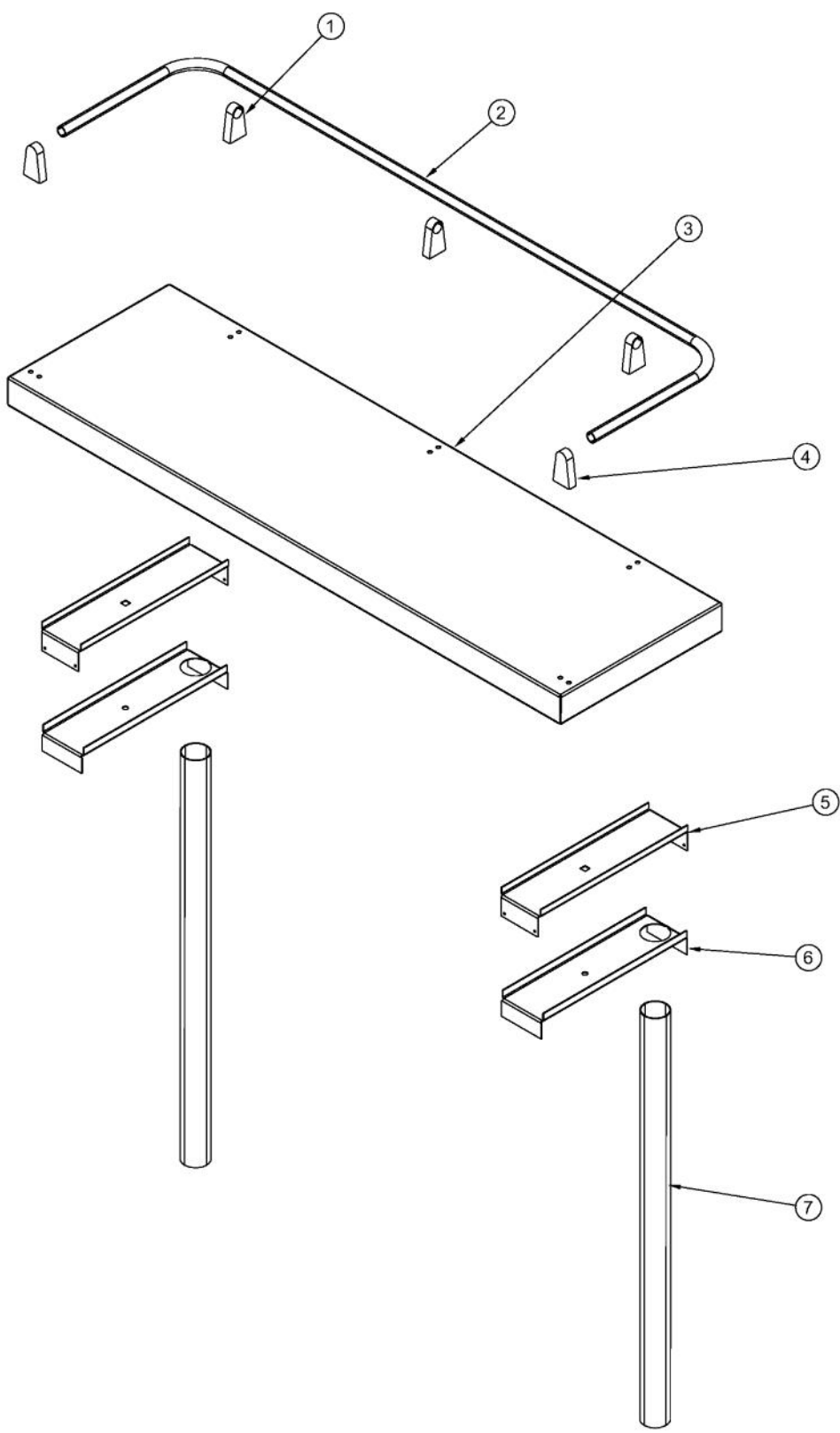
Ref #	Part Number	Qty.	Description
1	025041-000	1	LH INSIDE PANEL
2	020014-000	2	SLIDE CHANNEL
3	025050-000	4	TOP PANEL BRACKET
4	019872-000	1	BIG CONTAINER, LH
5	019874-000	1	SLIDE PANEL
6	019838-000	1	CONDIMENT BIN (2/3 SIZE)
7	019871-000	1	BIG CONTAINER, FRONT
8	020285-000	1	SINK, 41
9	025053-000	2	TUBE BRACKET
10	025043-000	1	MIDDLE PANEL
11	025042-000	1	BACK PANEL INSIDE
12	019873-000	1	BIG CONTAINER, RH
13	026726-000	1	SLIDE BRKT, TRASH DRAWER
14	025051-000	1	SLIDE TRASH BRACKET
15	025039-000	1	RH INSIDE PANEL
16	020006-000	2	HOLE PLATE, STAR BOARD
17	025037-000	1	BOTTOM PANEL
18	PC030007	4	LEG PLATE - 3/4 THREADED HOLE
19	001053-000	2	LEG BRACE
20	PC030017	4	4 LEG ASSY
21	026794-000	1	CAP CATCHER REAR
22	026795-000	1	CAP CATCHER FRONT
23	019681-000	1	BOTTLE OPENER, SS
24	025052-000	1	FRONT PANEL, MIDDLE
25	019890-000	1	SPEED RAIL, BASE
26	026224-000	1	TOP FRONT PANEL
27	015010-000	1	OUTDOOR LOGO - 4.5 CHROME
28	019889-000	1	SPEED RAIL, FRONT 41
29	PD020056	6	NO.10-24 X 1/2 PH.TR. M.S. SS
30	024276-000	6	UHMW .125 SPACER
31	PD030131	6	NO.10-24 HEX NUT W/NYLON LOCK RING
32	025593-000	1	SLIDE SUPPORT, MIDDLE
NI	G32014836	1	KICK PLATE ASSY (VQWO4120)



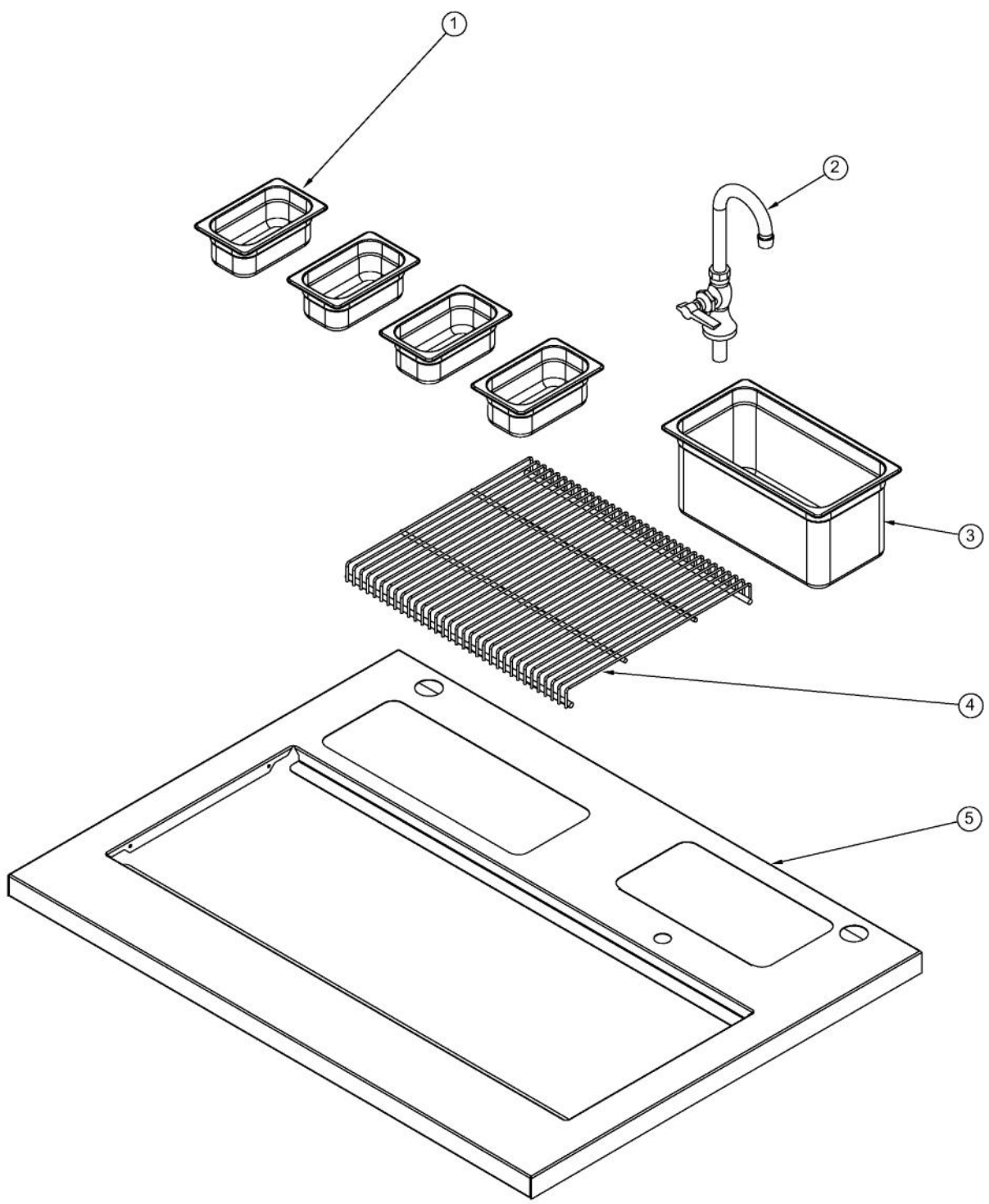
Ref #	Part Number	Qty.	Description
1	PC020022	2	WARMING DRAWER SLIDES
2	019822-000	1	TRASH CAN
3	019823-000	1	WATER CONTAINER
4	024339-000	1	TRASH DRAWER TOP FRAME
5	019880-000	1	WASTE WATER, PANEL
6	024340-000	1	TRASH DRAWER BOTTOM FRAME
7	025601-000	1	TRASH DRAWER, INSIDE DOOR
8	026716-000	1	FRONT PANEL, TRASH DRAWER
9	PE030187	2	ENDCAP, TUBE
10	PE030189	1	CABINET HANDLE



Ref #	Part Number	Qty.	Description
1	PE030187	2	ENDCAP, TUBE
2	025044-000	1	CONDIMENT DRAWER FRONT PANEL
3	025045-000	1	CONDIMENT DRAWER, INSIDE PANEL
4	019838-000	1	CONDIMENT BIN (2/3 SIZE)
5	025047-000	1	CONDIMENT DRAWER TRAY
6	PC080010	2	SLIDE
7	PE030189	1	CABINET HANDLE



Ref #	Part Number	Qty.	Description
1	PE030052	3	SUPPORT TUBE, HOLE THROUGH
2	019817-000	1	TUBE, BENT, TOP SHELF, 41 (5/8 DIA)
3	024344-000	1	41 TOP SHELF
4	PE030187	2	ENDCAP, TUBE
5	024345-000	2	SUPPORT CHANNEL TOP SHELF
6	024346-000	2	TOP SHELF BRACKET
7	019818-000	2	TUBE, VERTICAL, TOP SHELF, 41 (1 DIA)



Ref #	Part Number	Qty.	Description
1	019682-000	4	CONDIMENT BIN (1/9 SIZE)
2	019711-000	1	FAUCET
3	019837-000	1	ADDITIONAL DRINK MIX BIN (1/3 SIZE)
4	019824-000	1	WIRE RACK, 41
5	025049-000	1	TOP FRAME