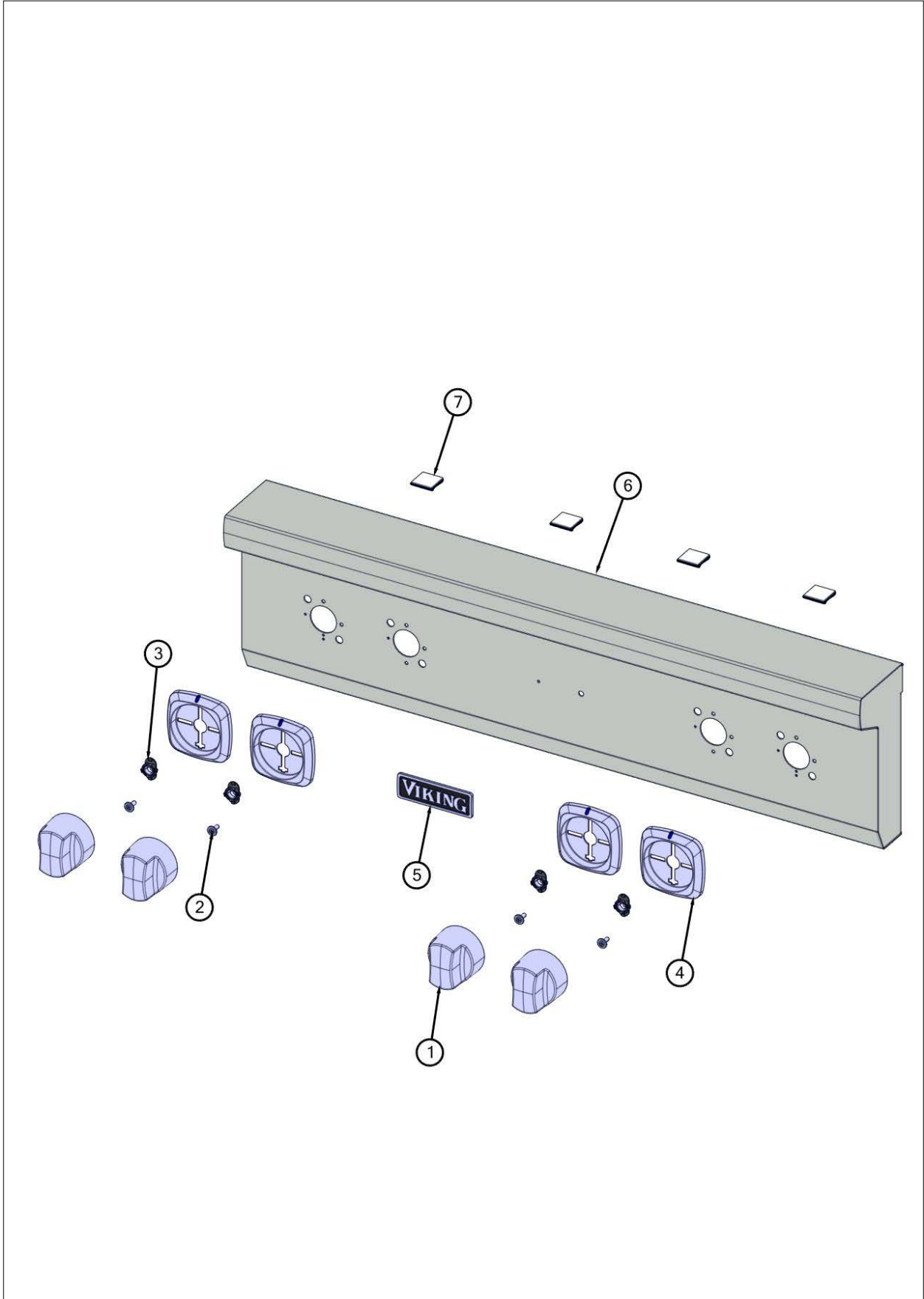


VRT5304BSS

Control View	1
Surface Cooking View	2
Burner Box Asm View	3
VRT5304B Electrical View	4
Gas Asm View	5
Electrical View	6
Decor View	7
Appendix A:Pages Index	A
Appendix B:Parts Index	B

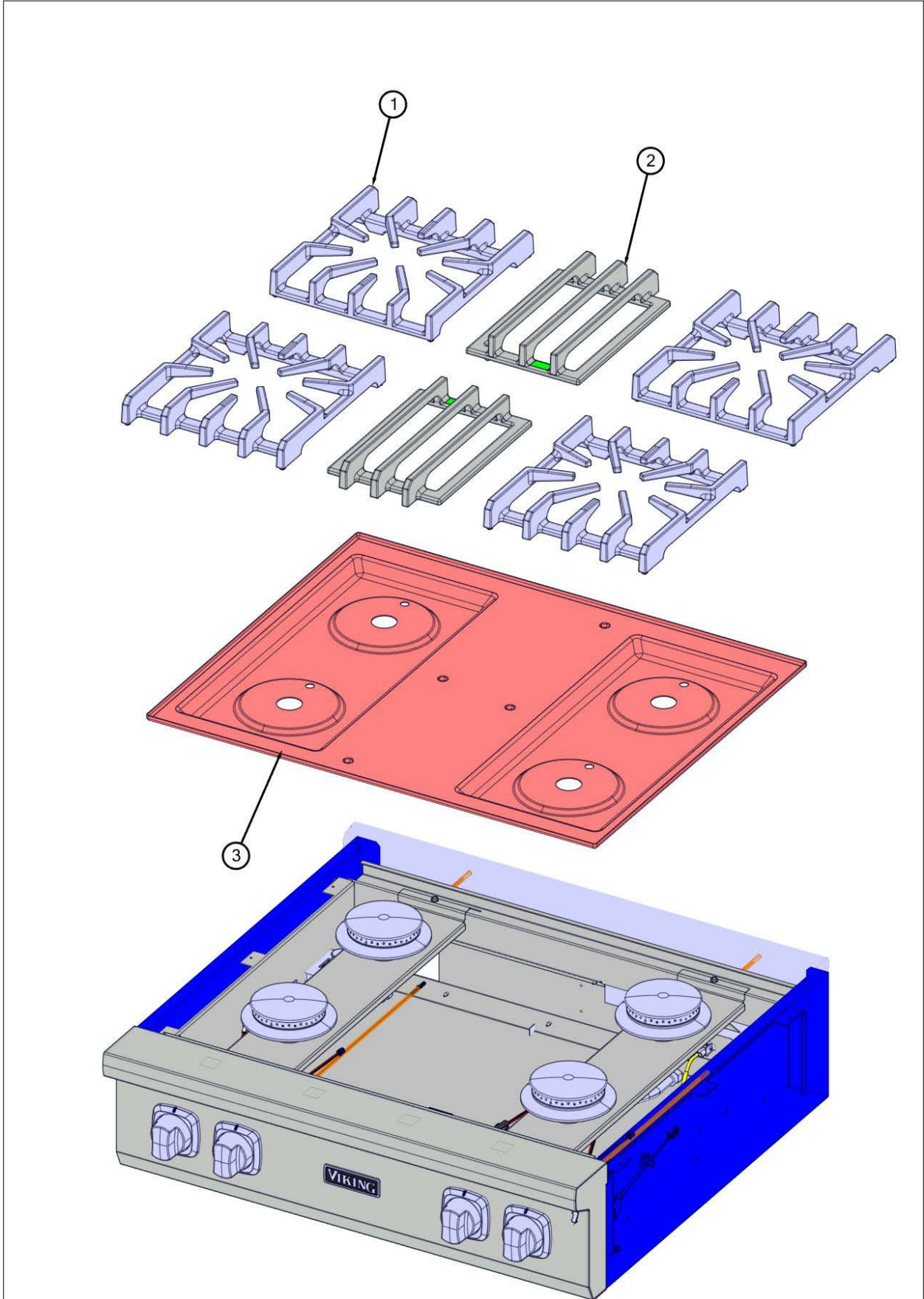
Control View





Item	Part No.	Name	Qty	Uom	NOTES
1	063759-2809	KNOB, BNR, TOP, PRO ASSY BLK CR (SEE 059023-000)	4	EA	
2	PD020046	' #8 X 1/2 SCREWS	4	EA	
3	044512-000	BEARING, BEZEL, ASM	4	EA	
4	048326-000	BZL, KNOB	4	EA	
5	062341-000	NAMEPLATE, VIKING, 3.500", W/LOC PINS	1	EA	
6	063766-2806	ASM, WELD, PANEL, CONTROL, VRT5304BSS, W/GRAPHICS	1	EA	
7	049878-000	CORD, CLIP, ADHESIVE	12	EA	

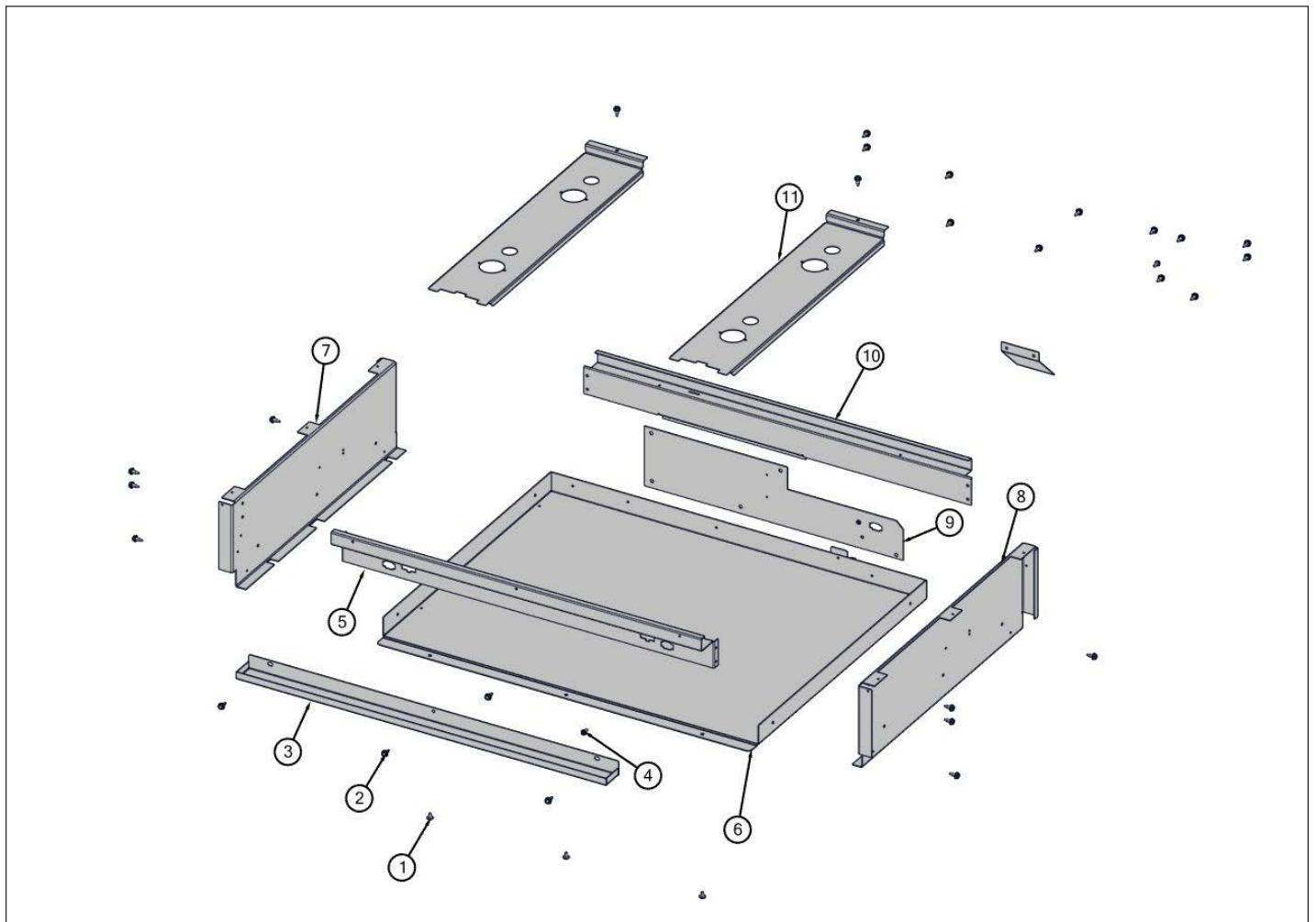
Surface Cooking View





Item	Part No.	Name	Qty	Uom	NOTES
1	049420-000	GRATE, BURNER, ASM	4	EA	
NI	049416-000	BUMPER, GRATE	16	EA	
2	002907-000	CENTER GRATE, REDESIGN	2	EA	
Not Shown	NOTE	(BEFORE 10/6/17)		EA	
2	049426-000	GRATE, CENTER, ASM	2	EA	
Not Shown	NOTE	(ON OR AFTER 10/6/17)		EA	
NI	074892-000	FOOT, RUBBER	8	EA	
Not Shown	NOTE	(BEFORE 10/6/17)		EA	
NI	049416-000	BUMPER, GRATE	8	EA	
Not Shown	NOTE	(ON OR AFTER 10/6/17)		EA	
3	E9107413BK	MAIN TOP 30" *BK*	1	EA	

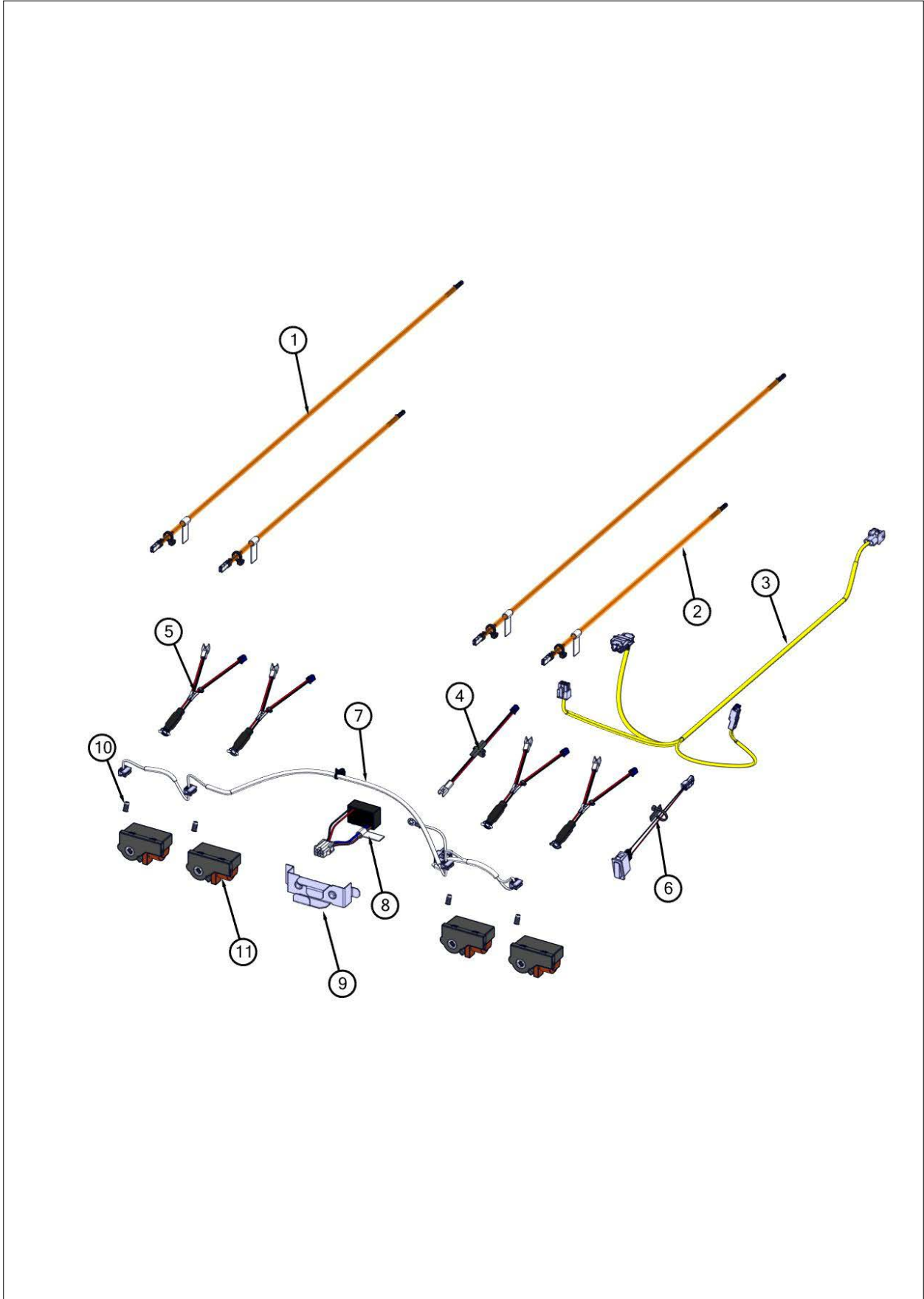
Burner Box Asm View





Item	Part No.	Name	Qty	Uom	NOTES
1	PD020032	SRW-8(A)X3/8"PH.WFR HD 7/16DIA*NICL	3	EA	
2	003860-000	10-18 x .500 FASTNR,SCR,HXWH,STL,ZPLT	24	EA	
3	038943-000	GUTTER, SPILL, 30"	1	EA	
4	PD020010	10 X 3/8 GREEN GROUNDING SCREW	2	EA	
5	002925-000	FRONT SUPPORT, BURNER BOX	1	EA	
6	063763-000	PANEL, BTM, VRT530	1	EA	
7	003481-000	BURNER BOX SIDE, LH	1	EA	
8	002755-000	BURNER BOX SIDE, RH	1	EA	
9	064388-000	RANGE, TOP, PNL, BACK, VRT5304B	1	EA	
10	002924-000	REAR SUPPORT, BURNER BOX	1	EA	
11	002923-000	BURNER MODULE SUPPORT	2	EA	

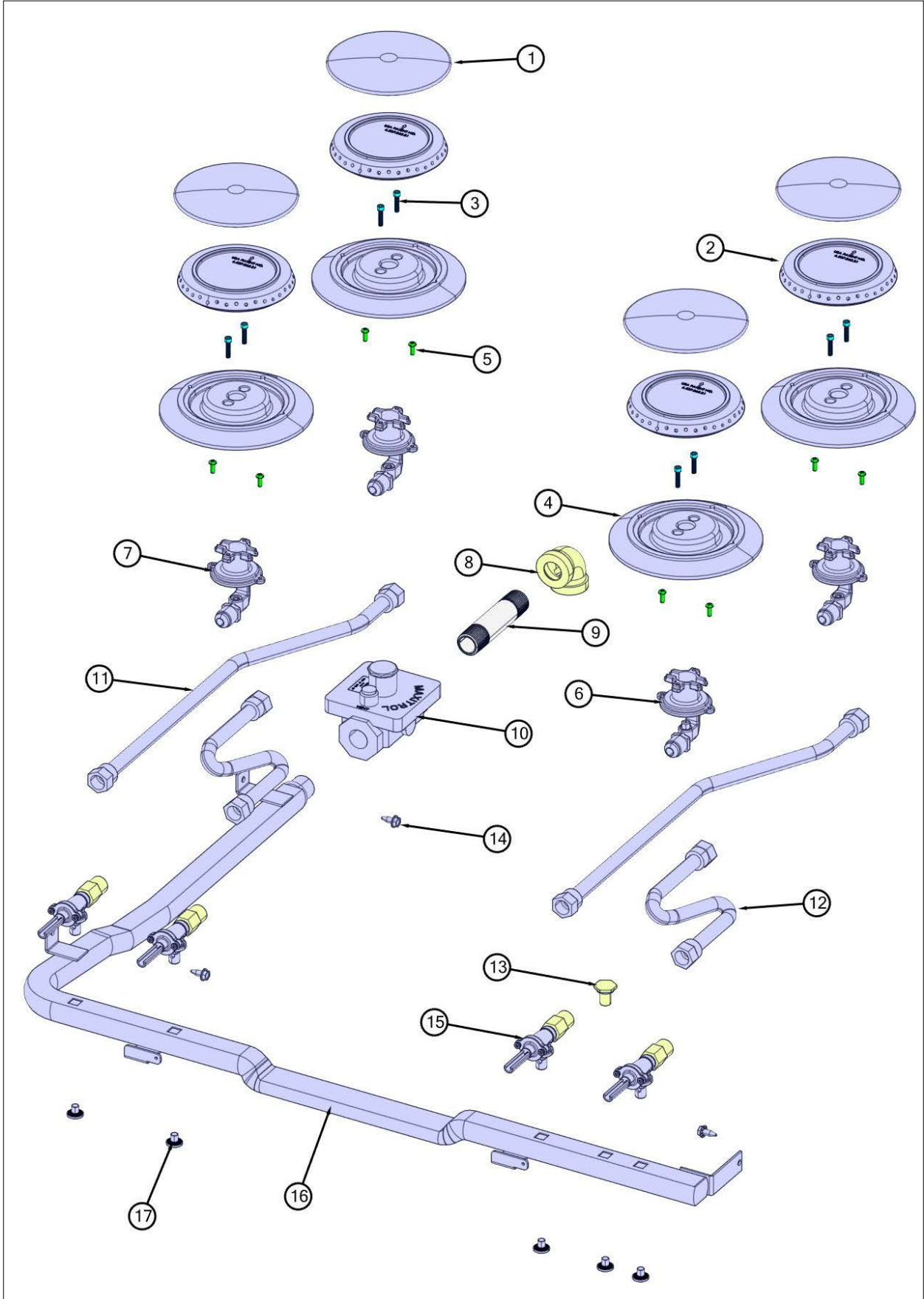
VRT5304B Electrical View





Item	Part No.	Name	Qty	Uom	NOTES
1	058659-604	HARN, VGR5, ELEC, BURN, REAR	2	EA	
2	058659-603	HARN, VGR5, ELEC, BURN, FRNT	2	EA	
3	060214-000	HARN, VGRT5, MAIN	1	EA	
4	048482-000	HARNESS, LED, JUMPER (HPN-0923-1)	3	EA	
5	048809-000	LAMP, LED, 12VDC, 2.84K, WHITE, ASM	4	EA	
6	046283-000	SWITCH, LIGHTS, ACCENT W/CONN	1	EA	
7	059009-000	HARN, VGR5304B, IRIS	1	EA	
8	069994-000	12 Volt Power Supply Kit	1	EA	
Not Shown	NOTE	See TC-0118-SP Service Bulletin		EA	
9	068310-000	BRKT, SHELF, POWER SUPPLY	1	EA	
Not Shown	NOTE	See TC-0118-SP Service Bulletin		EA	
10	044937-000	LENS, COVER, LED, CLEAR	4	EA	
11	035795-000	MODULE, IGN, GAS,SNGL	4	EA	
NI	044747-000	CORD, SUPPLY, CORD	1	EA	

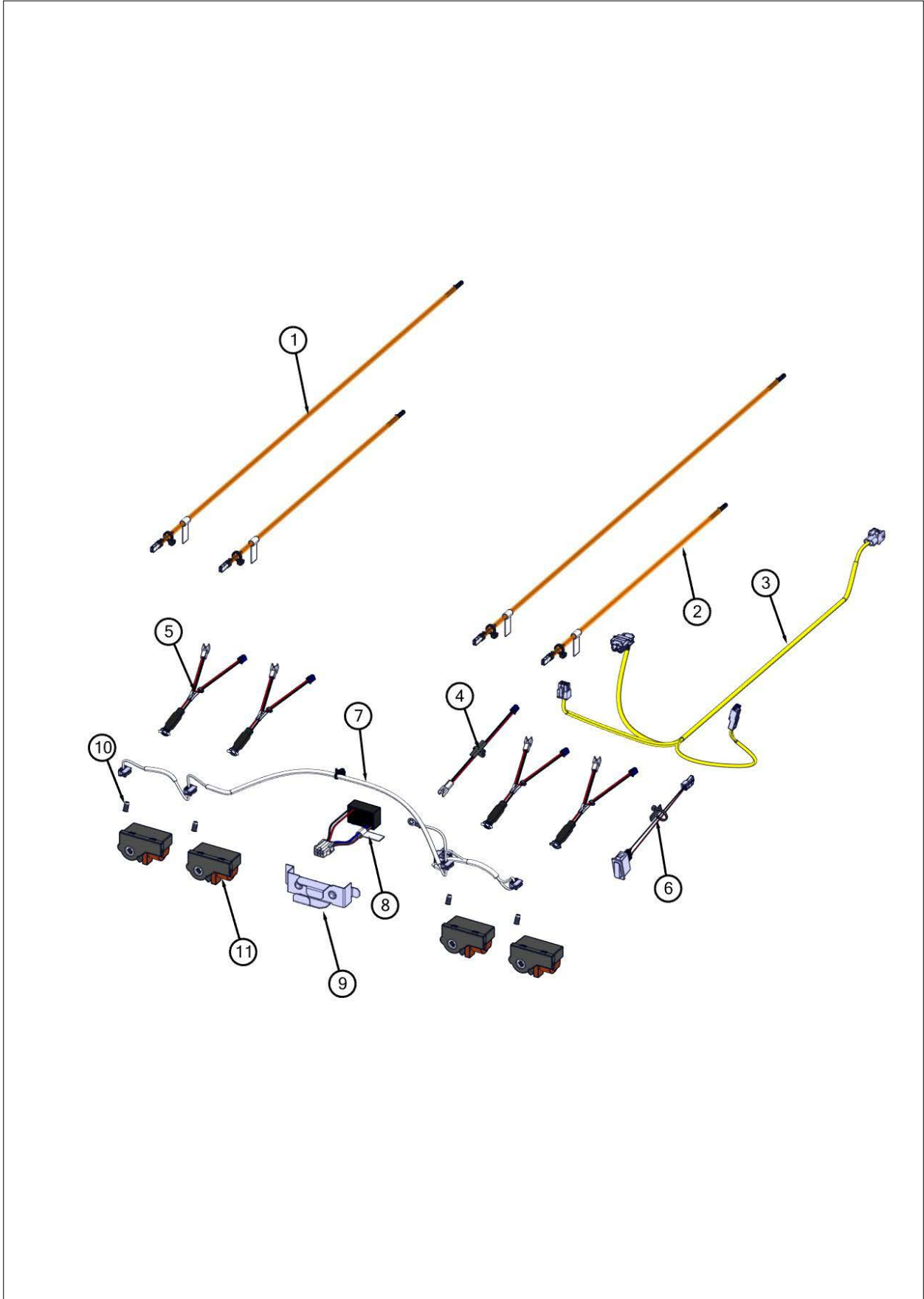
Gas Asm View





Item	Part No.	Name	Qty	Uom	NOTES
1	066958-000	D BURNER CAP *MATTE BLACK*	4	EA	
2	018200-000	ADJUSTED SEALED BURNER HEAD	4	EA	
3	009197-000	#6-32 X 5/8 18-8 SS NC SOC CAP	8	EA	
4	066810-042	BURNER, BASE, ASM, BLK	4	EA	
5	PD020076	6-32 X 3/8" PHILL PAN MS	8	EA	
6	066197-041	18500 BTU NAT JETHOLDER	1	EA	
6	066197-044	16600 BTU LP JETHOLDER	1	EA	
7	066197-042	15000 BTU NAT JETHOLDER	3	EA	
7	001394-046	12.5 K BTU LP JETHOLDER	3	EA	
8	PB040053	1/2" 90 DEG. ELBOW	1	EA	
9	019938-000	NIPPLE, 1/2" NPT X 3.5" LONG, STEEL	1	EA	
10	PA070003	PRESSURE REGULATOR (NAT.)	1	EA	
10	013386-000	LP PRESSURE REGULATOR	1	EA	
11	PB020193	16" FLEX TUBING W/CONNECTORS	2	EA	
12	PB020192	10" FLEX TUBING W/CONNECTORS	2	EA	
13	002884-000	MANIFOLD PLUG	1	EA	
14	003860-000	10-18 x .500 FASTNR,SCR,HXWH,STL,ZPLT	3	EA	
15	006313-000	VALVE, BRS, SEALED TOP	4	EA	
16	052759-000	MANIFOLD, GAS, ASM	1	EA	
17	PD010012	VALVE BOLT 1/4-20 UNC-2B 5/16" M.S.	5	EA	

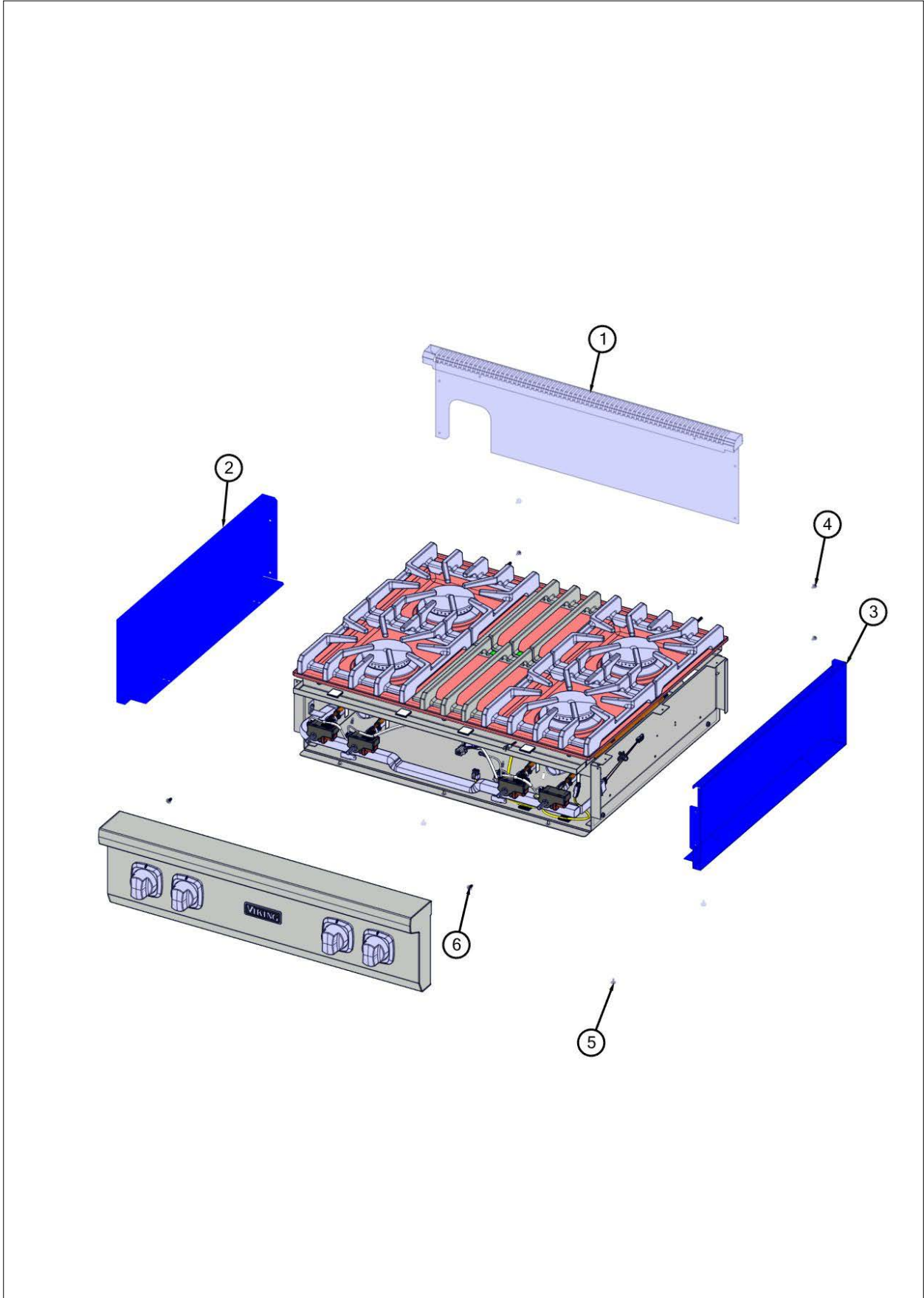
Electrical View





Item	Part No.	Name	Qty	Uom	NOTES
1	058659-604	HARN, VGR5, ELEC, BURN, REAR	2	EA	
2	058659-603	HARN, VGR5, ELEC, BURN, FRNT	2	EA	
3	060214-000	HARN, VGRT5, MAIN	1	EA	
4	048482-000	HARNESS, LED, JUMPER (HPN-0923-1)	3	EA	
5	048809-000	LAMP, LED, 12VDC, 2.84K, WHITE, ASM	4	EA	
6	046283-000	SWITCH, LIGHTS, ACCENT W/CONN	1	EA	
7	059009-000	HARN, VGR5304B, IRIS	1	EA	
8	059475-000	SUPPLY, POWER, AC/DC, 12VDC, 3W, 6PIN ASSY	1	EA	
9	047927-000	BRKT, SHELF, POWER SUPPLY	1	EA	Not available online / Call for pricing and availability
10	044937-000	LENS, COVER, LED, CLEAR	4	EA	
11	035795-000	MODULE, IGN, GAS,SNGL	4	EA	
NI	044747-000	CORD, SUPPLY, CORD	1	EA	

Decor View





Item	Part No.	Name	Qty	Uom	NOTES
1	062157-000	TRIM, IS, WELD, ASM, 30"	1	EA	
2	063761-000	PANEL, LH, VRT5	1	EA	
3	063760-000	PANEL, RH, VRT5	1	EA	
4	PD020004	10X3/8PH.HD.TYPE 25 REPL PD040125	4	EA	
5	PD020032	SRW-8(A)X3/8"PH.WFR HD 7/16DIA*NICL	4	EA	
6	003801-000	SHOULDER SCREW, #10	2	EA	



Appendix A:Pages Index

Burner Box Asm View	3
Control View	1
Decor View	7
Electrical View	6
Gas Asm View	5
Surface Cooking View	2
VRT5304B Electrical View	4



Appendix B:Parts Index

001394-046	5	063763-000	3
002755-000	3	063766-2806	1
002884-000	5	064388-000	3
002907-000	2	066197-041	5
002923-000	3	066197-042	5
002924-000	3	066197-044	5
002925-000	3	066810-042	5
003481-000	3	066958-000	5
003801-000	7	068310-000	4
003860-000	3, 5	069994-000	4
006313-000	5	074892-000	2
009197-000	5	E9107413BK	2
013386-000	5	PA070003	5
018200-000	5	PB020192	5
019938-000	5	PB020193	5
035795-000	4, 6	PB040053	5
038943-000	3	PD010012	5
044512-000	1	PD020004	7
044747-000	4, 6	PD020010	3
044937-000	4, 6	PD020032	3, 7
046283-000	4, 6	PD020046	1
047927-000	6	PD020076	5
048326-000	1		
048482-000	4, 6		
048809-000	4, 6		
049416-000	2, 2		
049420-000	2		
049426-000	2		
049878-000	1		
052759-000	5		
058659-603	4, 6		
058659-604	4, 6		
059009-000	4, 6		
059475-000	6		
060214-000	4, 6		
062157-000	7		
062341-000	1		
063759-2809	1		
063760-000	7		
063761-000	7		