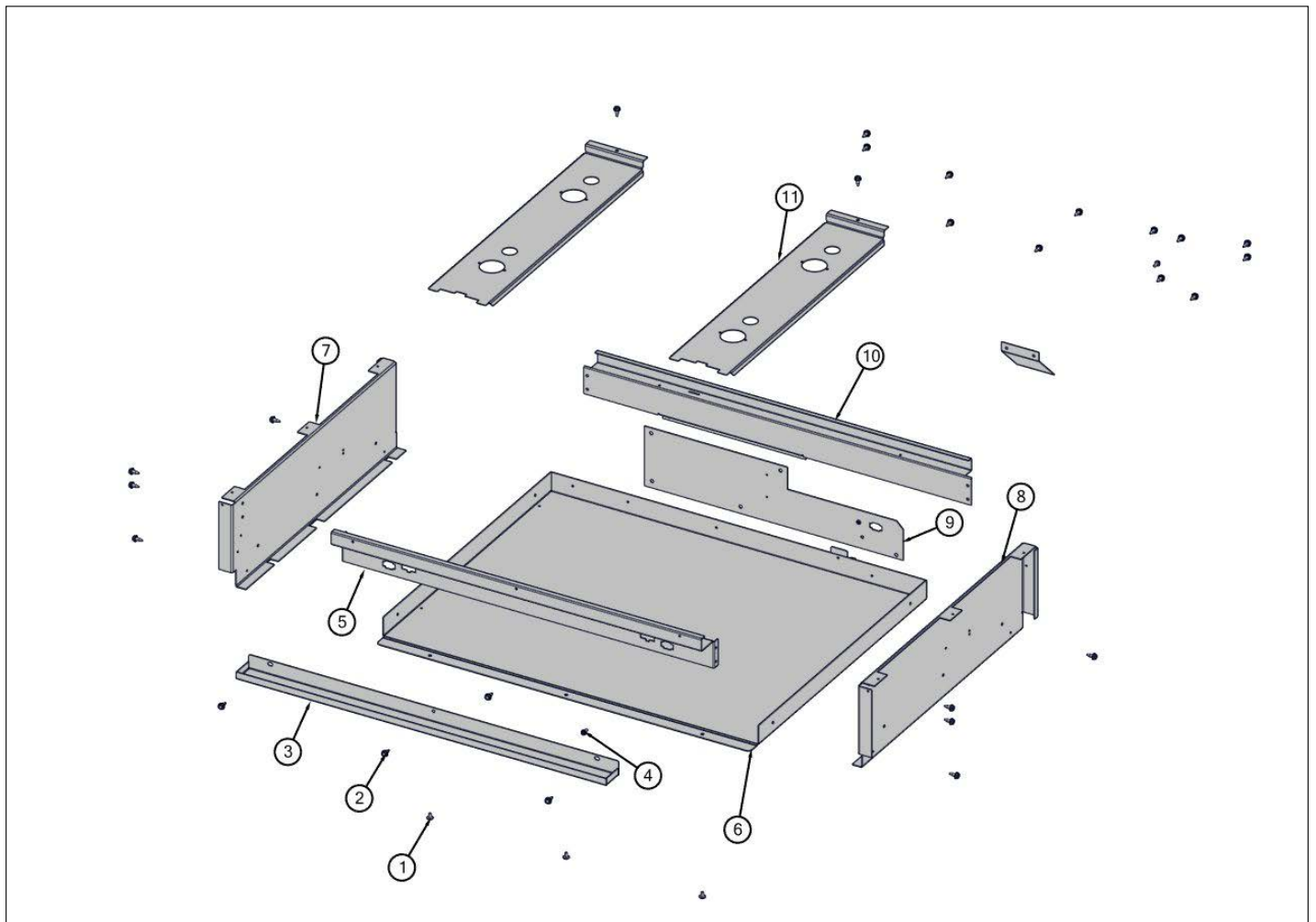


**VRT5304BSS01**

|                              |   |
|------------------------------|---|
| Burner Box Asm View .....    | 1 |
| Gas Asm View .....           | 2 |
| Surface Cooking View .....   | 3 |
| Decor View .....             | 4 |
| Electrical View .....        | 5 |
| Control View .....           | 6 |
| Appendix A:Pages Index ..... | A |
| Appendix B:Parts Index ..... | B |



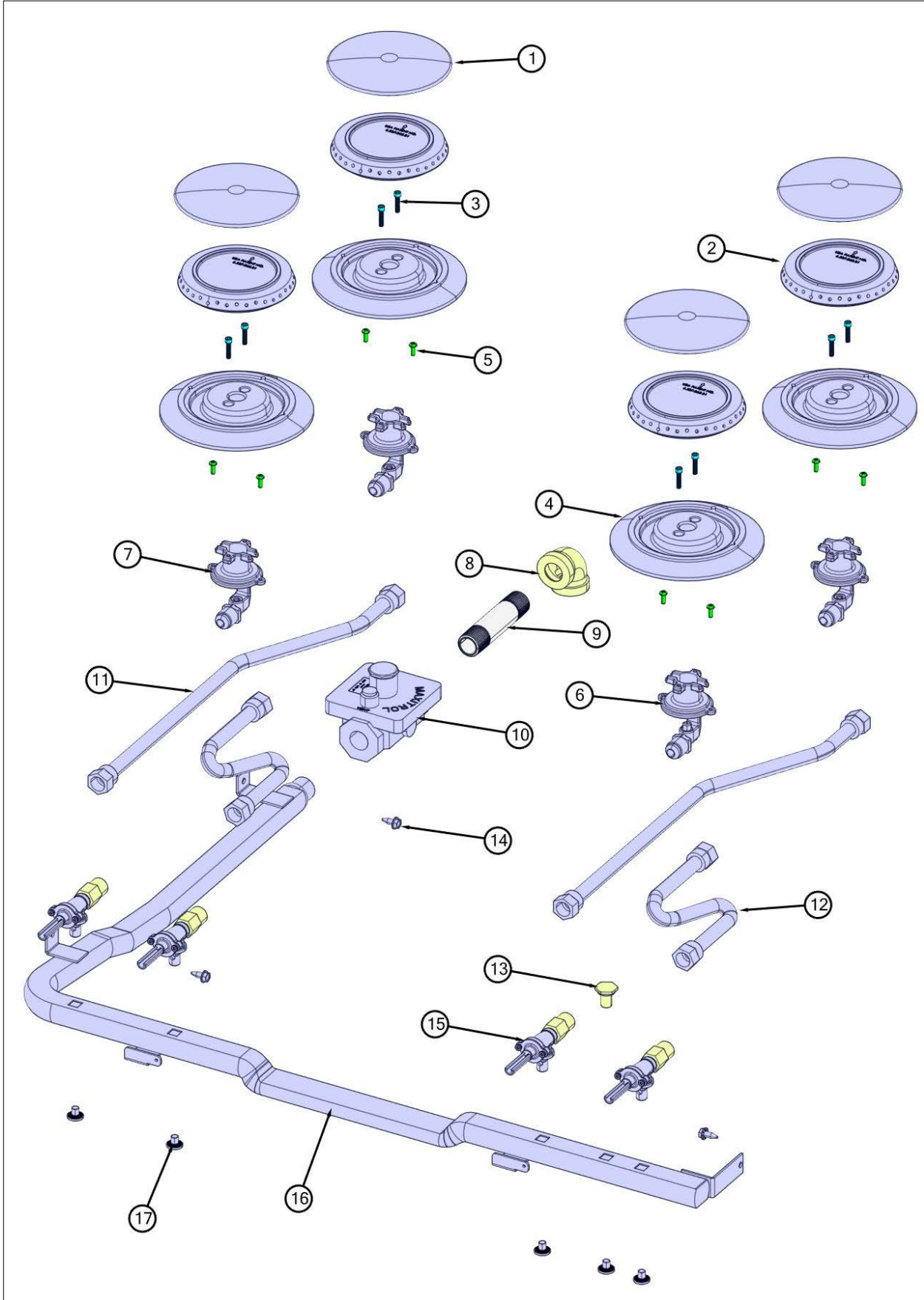
Burner Box Asm View





| Item | Part No.   | Name                                     | Qty | Uom | NOTES |
|------|------------|--|-----|-----|-------|
| 1    | PD020032   | SRW-8(A)X3/8"PH.WFR HD<br>7/16DIA*NICL   | 3   | EA  |       |
| 2    | 003860-000 | 10-18 x .500<br>FASTNR,SCR,HXWH,STL,ZPLT | 24  | EA  |       |
| 3    | 038943-000 | GUTTER, SPILL, 30"                       | 1   | EA  |       |
| 4    | PD020010   | 10 X 3/8 GREEN GROUNDING<br>SCREW        | 2   | EA  |       |
| 5    | 002925-000 | FRONT SUPPORT, BURNER<br>BOX             | 1   | EA  |       |
| 6    | 063763-000 | PANEL, BTM, VRT530                       | 1   | EA  |       |
| 7    | 003481-000 | BURNER BOX SIDE, LH                      | 1   | EA  |       |
| 8    | 002755-000 | BURNER BOX SIDE, RH                      | 1   | EA  |       |
| 9    | 064388-000 | RANGE, TOP, PNL, BACK,<br>VRT5304B       | 1   | EA  |       |
| 10   | 002924-000 | REAR SUPPORT, BURNER BOX                 | 1   | EA  |       |
| 11   | 002923-000 | BURNER MODULE SUPPORT                    | 2   | EA  |       |

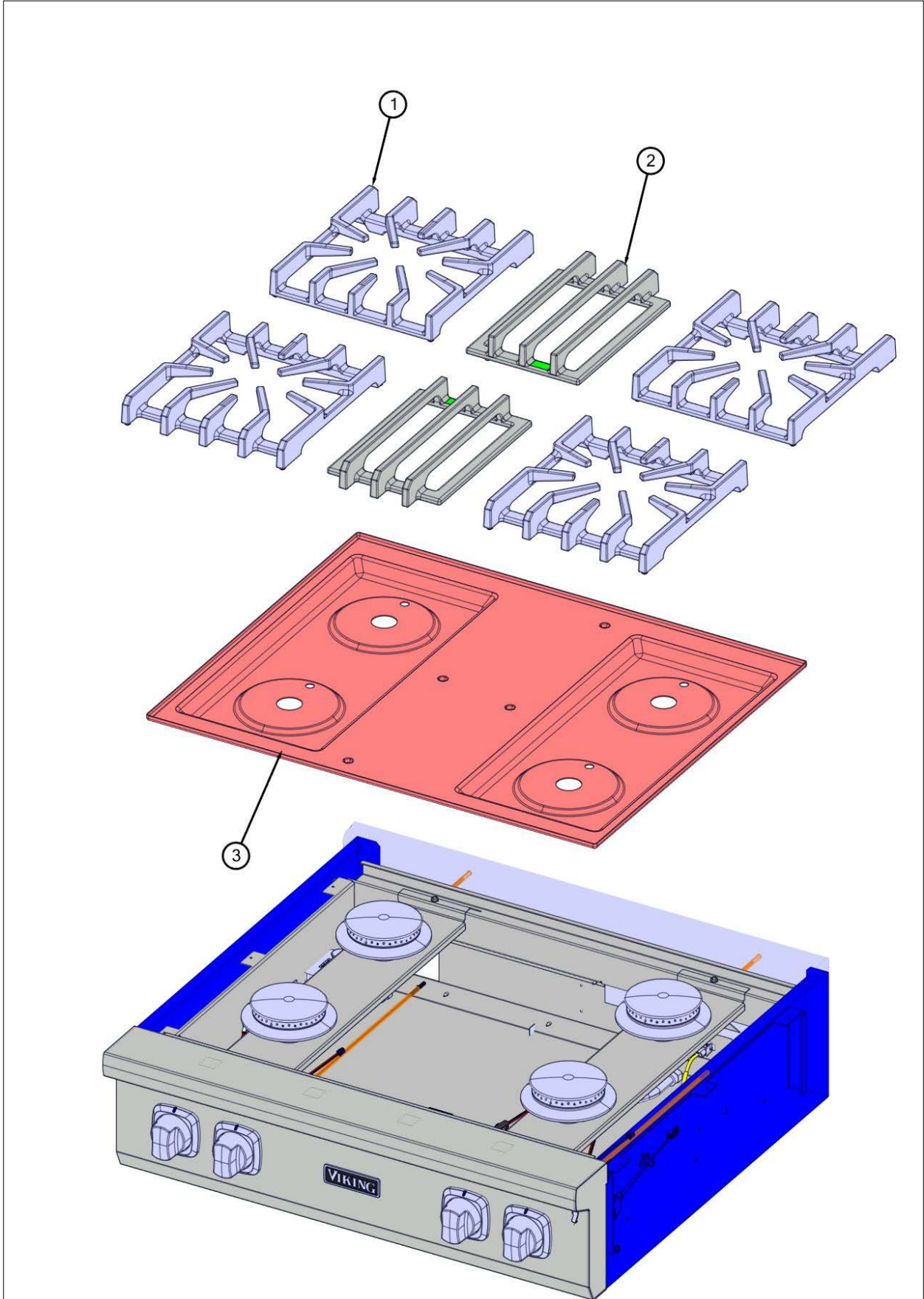
Gas Asm View





| Item | Part No.   | Name  | Qty | Uom | NOTES |
|------|------------|---|-----|-----|-------|
| 1    | 066958-000 | D BURNER CAP *MATTE BLACK*                          | 4   | EA  |       |
| 2    | 018200-000 | ADJUSTED SEALED BURNER HEAD                         | 4   | EA  |       |
| 3    | 009197-000 | #6-32 X 5/8 18-8 SS NC SOC CAP                      | 8   | EA  |       |
| 4    | 066810-042 | BURNER, BASE, ASM, BLK                              | 4   | EA  |       |
| 5    | PD020076   | 6-32 X 3/8" PHILL PAN MS                            | 8   | EA  |       |
| 6    | 066197-041 | 18500 BTU NAT JETHOLDER                             | 1   | EA  |       |
| 6    | 066197-044 | 16600 BTU LP JETHOLDER                              | 1   | EA  |       |
| 7    | 066197-042 | 15000 BTU NAT JETHOLDER                             | 3   | EA  |       |
| 7    | 001394-046 | 12.5 K BTU LP JETHOLDER                             | 3   | EA  |       |
| 8    | PB040053   | 1/2" 90 DEG. ELBOW                                  | 1   | EA  |       |
| 9    | 019938-000 | NIPPLE, 1/2" NPT X 3.5" LONG, STEEL                 | 1   | EA  |       |
| 10   | PA070003   | PRESSURE REGULATOR (NAT.)                           | 1   | EA  |       |
| 10   | 013386-000 | LP PRESSURE REGULATOR                               | 1   | EA  |       |
| 11   | PB020193   | 16" FLEX TUBING W/CONNECTORS                        | 2   | EA  |       |
| 12   | PB020192   | 10" FLEX TUBING W/CONNECTORS                        | 2   | EA  |       |
| 13   | 002884-000 | MANIFOLD PLUG                                       | 1   | EA  |       |
| 14   | 003860-000 | 10-18 x .500 FASTNR,SCR,HXWH,STL,ZPLT               | 3   | EA  |       |
| 15   | 006313-000 | VALVE, BRS, SEALED TOP                              | 4   | EA  |       |
| 15   | 061230-000 | VALVE, BRS, ASM, TOP, BURNER, FLRE, FTG, 5/8-18 UNF | 4   | EA  |       |
| 16   | 052759-000 | MANIFOLD, GAS, ASM                                  | 1   | EA  |       |
| 17   | PD010012   | VALVE BOLT 1/4-20 UNC-2B 5/16" M.S.                 | 5   | EA  |       |

Surface Cooking View

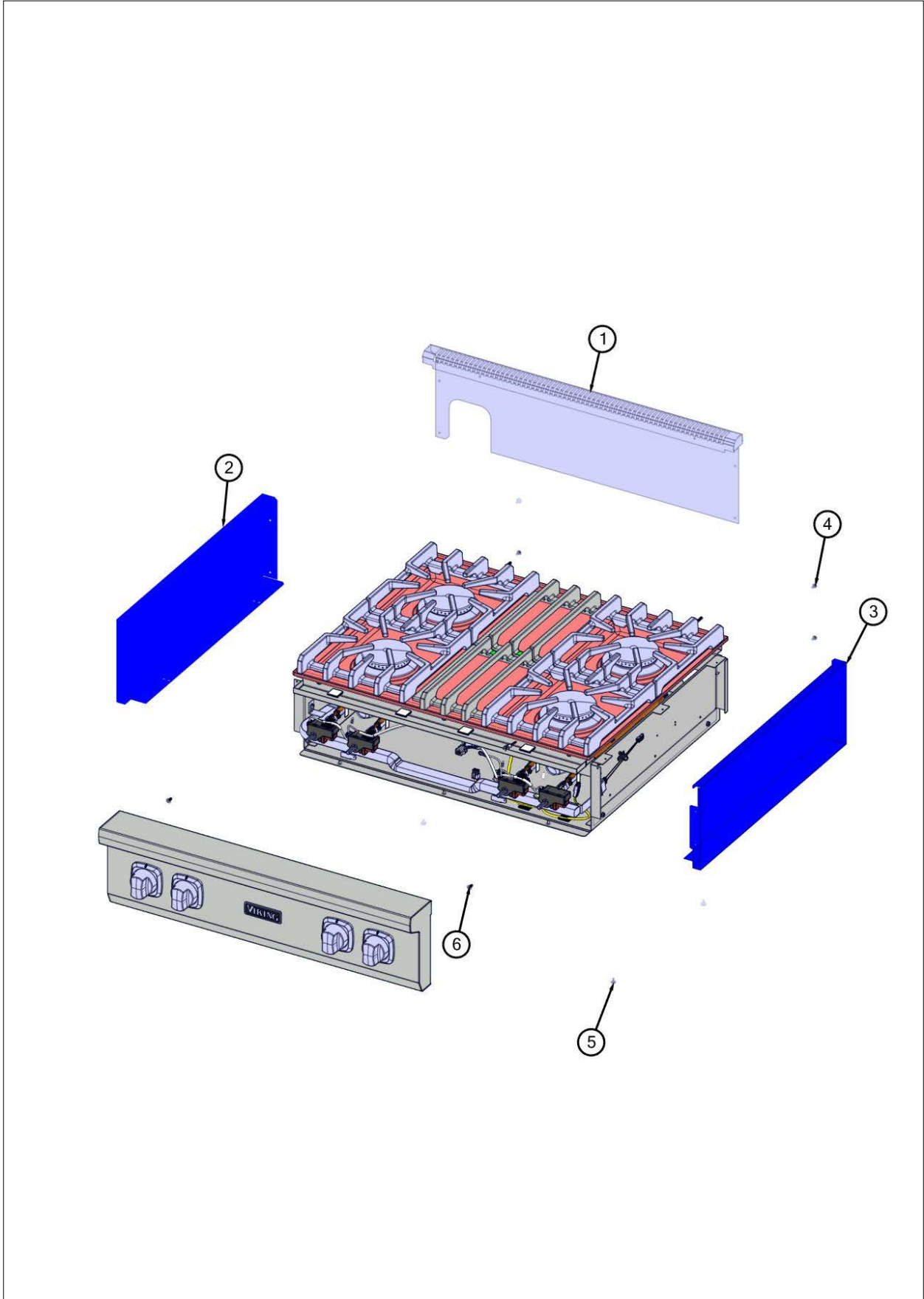






| Item | Part No.   | Name                   | Qty | Uom | NOTES |
|------|------------|------------------------|-----|-----|-------|
| 1    | 049420-000 | GRATE, BURNER, ASM     | 4   | EA  |       |
| 2    | 002907-000 | CENTER GRATE, REDESIGN | 2   | EA  |       |
| 3    | E9107413BK | MAIN TOP 30" *BK*      | 1   | EA  |       |

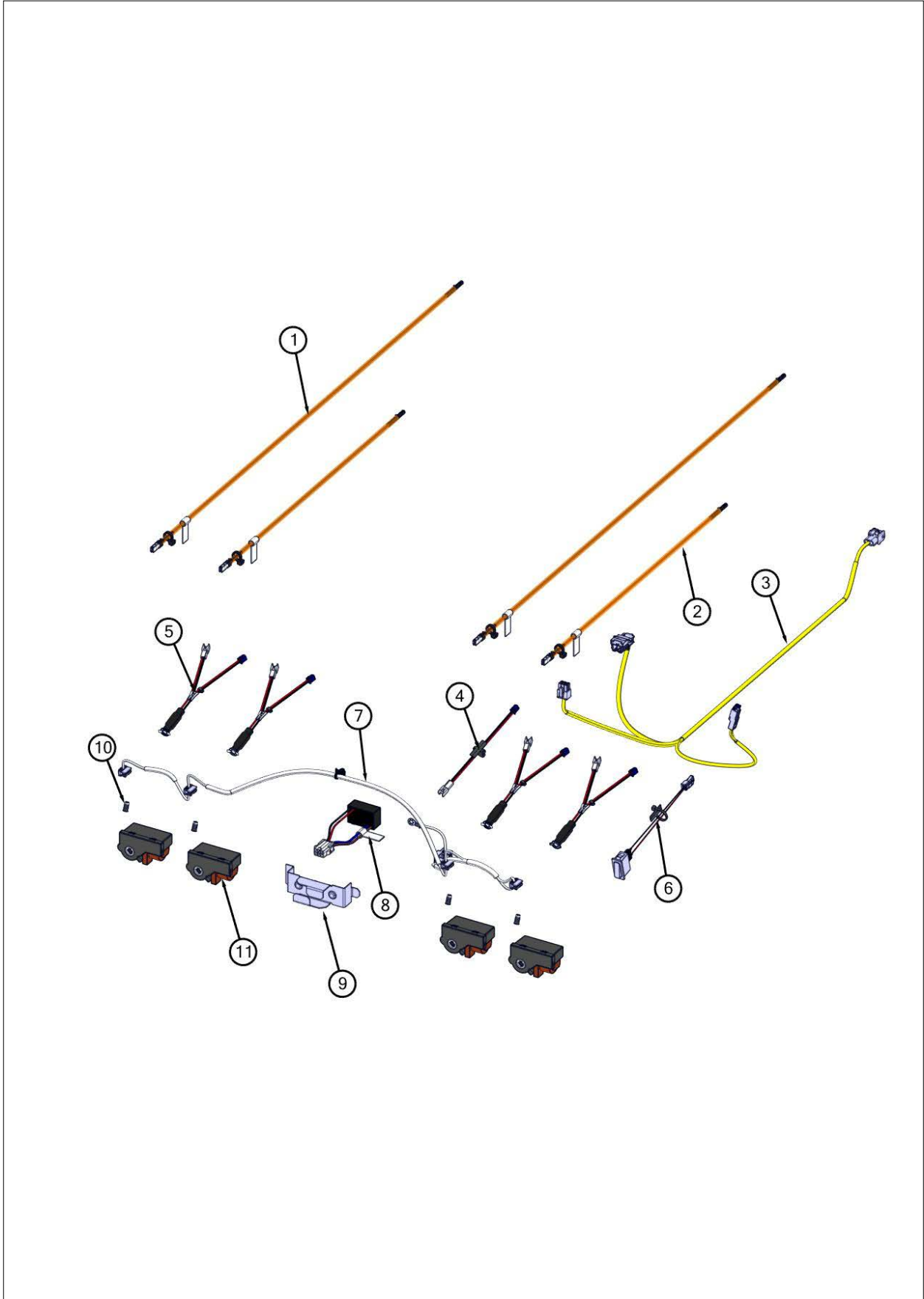
Decor View





| Item | Part No.   | Name                                   | Qty | Uom | NOTES |
|------|------------|--|-----|-----|-------|
| 1    | 062157-000 | TRIM, IS, WELD, ASM, 30"               | 1   | EA  |       |
| 2    | 063761-000 | PANEL, LH, VRT5                        | 1   | EA  |       |
| 3    | 063760-000 | PANEL, RH, VRT5                        | 1   | EA  |       |
| 4    | PD020004   | 10X3/8PH.HD.TYPE 25 REPL<br>PD040125   | 4   | EA  |       |
| 5    | PD020032   | SRW-8(A)X3/8"PH.WFR HD<br>7/16DIA*NICL | 4   | EA  |       |
| 6    | 003801-000 | SHOULDER SCREW, #10                    | 2   | EA  |       |

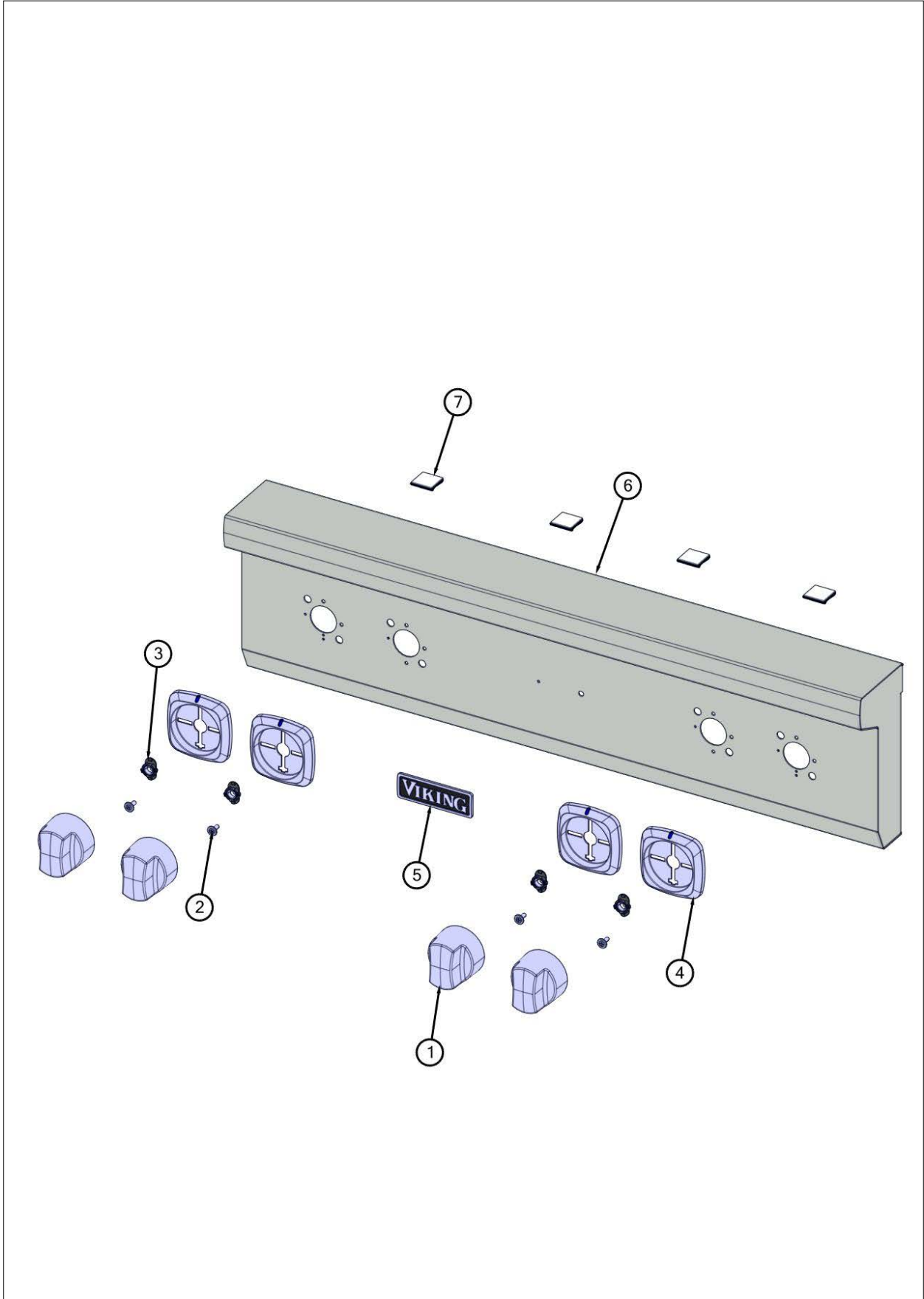
Electrical View





| Item | Part No.   | Name                                | Qty | Uom | NOTES |
|------|------------|-------------------------------------|-----|-----|-------|
| 1    | 058659-604 | HARN, VGR5, ELEC, BURN, REAR        | 2   | EA  |       |
| 2    | 058659-603 | HARN, VGR5, ELEC, BURN, FRNT        | 2   | EA  |       |
| 3    | 060214-000 | HARN, VGRT5, MAIN                   | 1   | EA  |       |
| 4    | 048482-000 | HARNESS, LED, JUMPER (HPN-0923-1)   | 3   | EA  |       |
| 5    | 048809-000 | LAMP, LED, 12VDC, 2.84K, WHITE, ASM | 4   | EA  |       |
| 6    | 046283-000 | SWITCH, LIGHTS, ACCENT W/CONN       | 1   | EA  |       |
| 7    | 059009-000 | HARN, VGR5304B, IRIS                | 1   | EA  |       |
| 8    | 068290-602 | SUPPLY, 12V, 5W, RECOM, 1 CONN      | 1   | EA  |       |
| 9    | 068310-000 | BRKT, SHELF, POWER SUPPLY           | 1   | EA  |       |
| 10   | 044937-000 | LENS, COVER, LED, CLEAR             | 4   | EA  |       |
| 11   | 035795-000 | MODULE, IGN, GAS,SNGL               | 4   | EA  |       |
| NI   | 044747-000 | CORD, SUPPLY, CORD                  | 1   | EA  |       |

Control View





| Item | Part No.    | Name  | Qty | Uom | NOTES |
|------|-------------|---|-----|-----|-------|
| 1    | 063759-2809 | KNOB, BNR, TOP, PRO ASSY<br>BLK CR (SEE 059023-000)     | 4   | EA  |       |
| 2    | PD020046    | ' #8 X 1/2 SCREWS                                       | 4   | EA  |       |
| 3    | 044512-000  | BEARING, BEZEL, ASM                                     | 4   | EA  |       |
| 4    | 048326-000  | BZL, KNOB   | 4   | EA  |       |
| 5    | 062341-000  | NAMEPLATE, VIKING, 3.500",<br>W/LOC PINS                | 1   | EA  |       |
| 6    | 063766-2806 | ASM, WELD, PANEL,<br>CONTROL, VRT5304BSS,<br>W/GRAPHICS | 1   | EA  |       |
| 7    | 049878-000  | CORD, CLIP, ADHESIVE                                    | 12  | EA  |       |



Appendix A:Pages Index

|                            |   |
|----------------------------|---|
| Burner Box Asm View .....  | 1 |
| Control View .....         | 6 |
| Decor View .....           | 4 |
| Electrical View .....      | 5 |
| Gas Asm View .....         | 2 |
| Surface Cooking View ..... | 3 |





Appendix B:Parts Index

|             |      |            |      |
|-------------|------|------------|------|
| 001394-046  | 2    | 066197-041 | 2    |
| 002755-000  | 1    | 066197-042 | 2    |
| 002884-000  | 2    | 066197-044 | 2    |
| 002907-000  | 3    | 066810-042 | 2    |
| 002923-000  | 1    | 066958-000 | 2    |
| 002924-000  | 1    | 068290-602 | 5    |
| 002925-000  | 1    | 068310-000 | 5    |
| 003481-000  | 1    | E9107413BK | 3    |
| 003801-000  | 4    | PA070003   | 2    |
| 003860-000  | 1, 2 | PB020192   | 2    |
| 006313-000  | 2    | PB020193   | 2    |
| 009197-000  | 2    | PB040053   | 2    |
| 013386-000  | 2    | PD010012   | 2    |
| 018200-000  | 2    | PD020004   | 4    |
| 019938-000  | 2    | PD020010   | 1    |
| 035795-000  | 5    | PD020032   | 1, 4 |
| 038943-000  | 1    | PD020046   | 6    |
| 044512-000  | 6    | PD020076   | 2    |
| 044747-000  | 5    |            |      |
| 044937-000  | 5    |            |      |
| 046283-000  | 5    |            |      |
| 048326-000  | 6    |            |      |
| 048482-000  | 5    |            |      |
| 048809-000  | 5    |            |      |
| 049420-000  | 3    |            |      |
| 049878-000  | 6    |            |      |
| 052759-000  | 2    |            |      |
| 058659-603  | 5    |            |      |
| 058659-604  | 5    |            |      |
| 059009-000  | 5    |            |      |
| 060214-000  | 5    |            |      |
| 061230-000  | 2    |            |      |
| 062157-000  | 4    |            |      |
| 062341-000  | 6    |            |      |
| 063759-2809 | 6    |            |      |
| 063760-000  | 4    |            |      |
| 063761-000  | 4    |            |      |
| 063763-000  | 1    |            |      |
| 063766-2806 | 6    |            |      |
| 064388-000  | 1    |            |      |