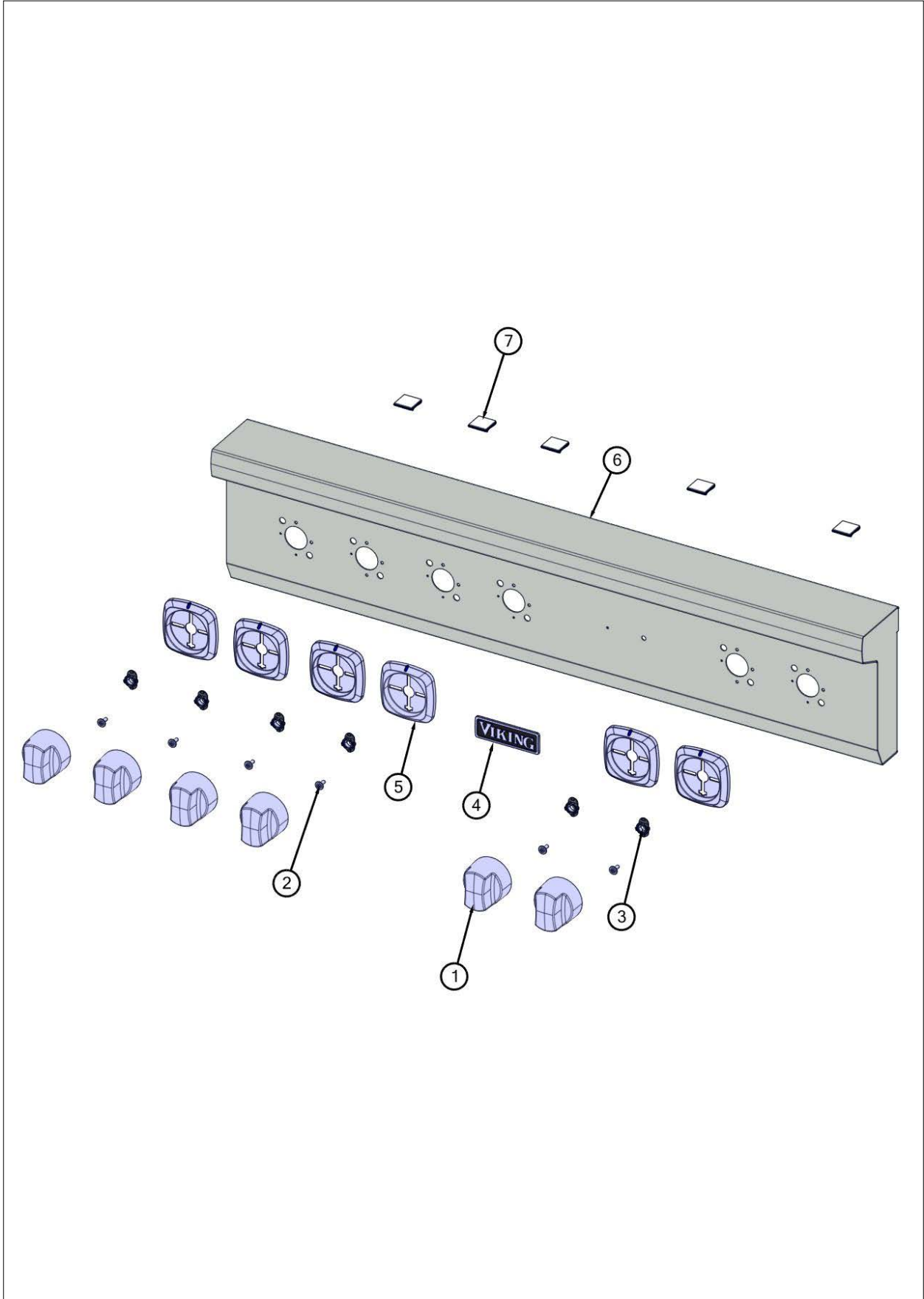


VRT5366BSS

Control View	1
Surface Cooking View	2
Decor View	3
Burner Box Asm View	4
Electrical View	5
Gas Asm View	6
Appendix A:Pages Index	A
Appendix B:Parts Index	B

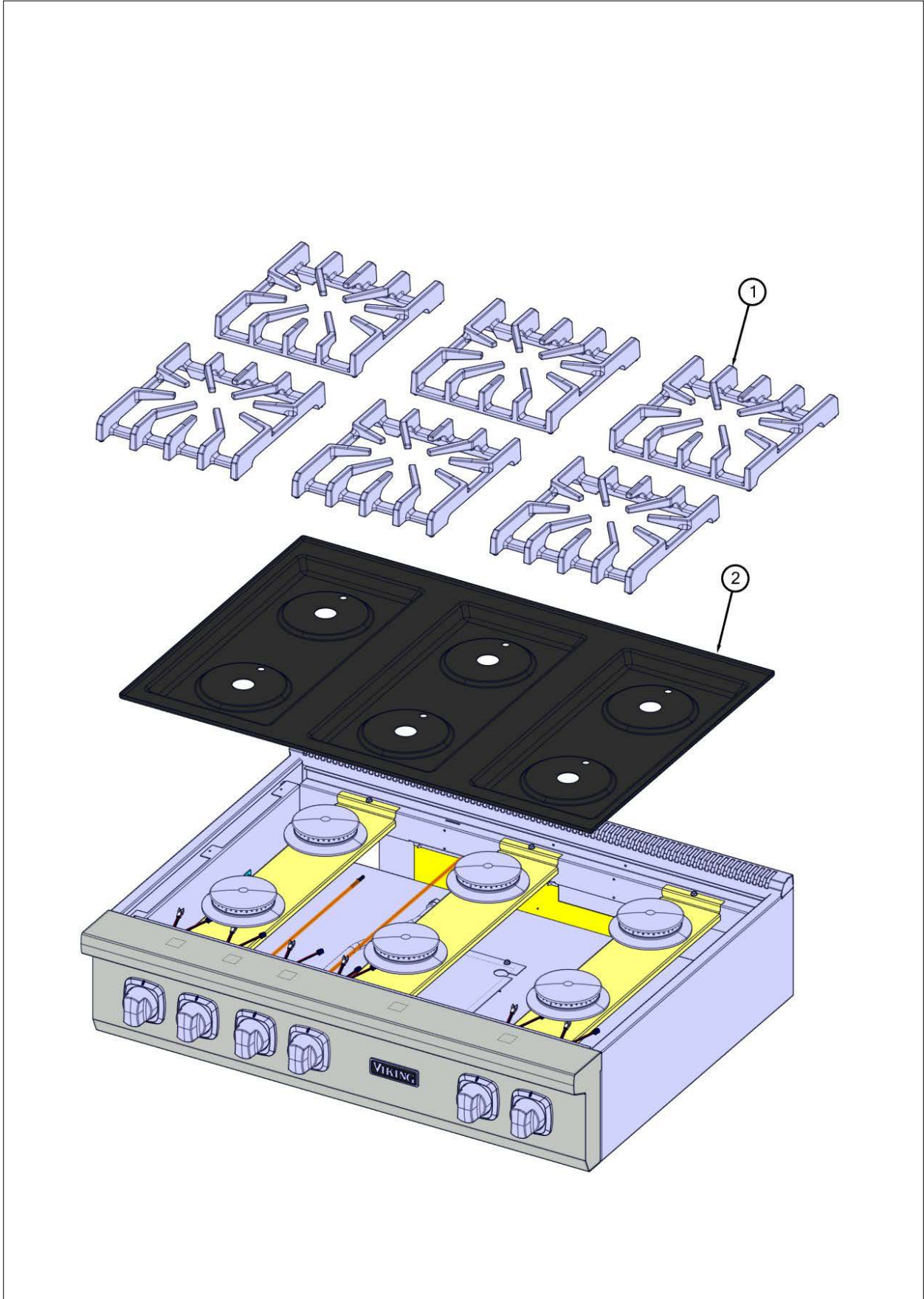
Control View





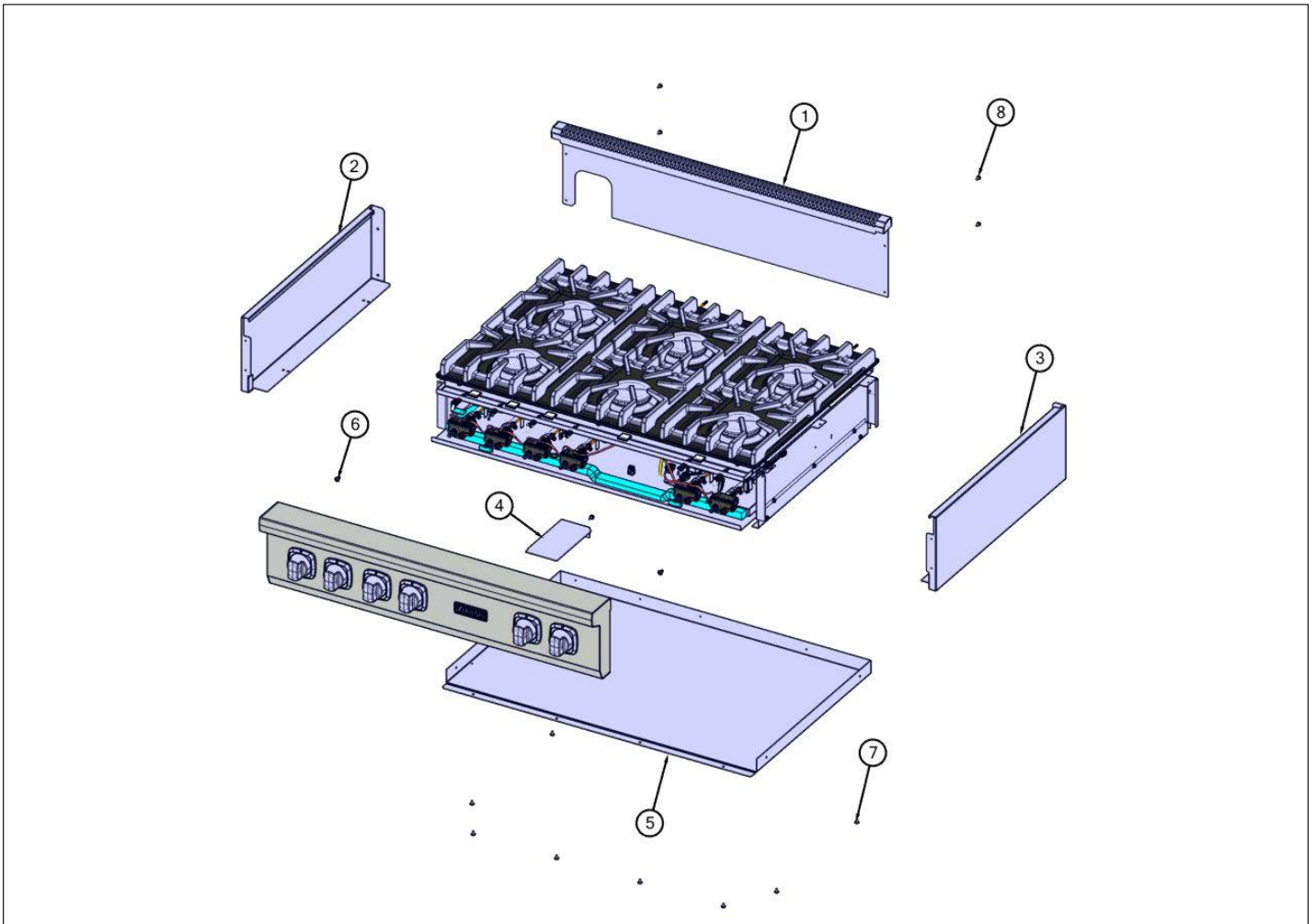
Item	Part No.	Name	Qty	Uom	NOTES
1	063759-2809	KNOB, BNR, TOP, PRO ASSY BLK CR (SEE 059023-000)	6	EA	
2	PD020046	' #8 X 1/2 SCREWS	6	EA	
3	044512-000	BEARING, BEZEL, ASM	6	EA	
4	062341-000	NAMEPLATE, VIKING, 3.500", W/LOC PINS	1	EA	
5	048326-000	BZL, KNOB	6	EA	
6	064431-2819	ASM. WELD, PANEL, CONTROL, VRT5366B, W/GRAPHICS	1	EA	
7	049878-000	CORD, CLIP, ADHESIVE	15	EA	

Surface Cooking View





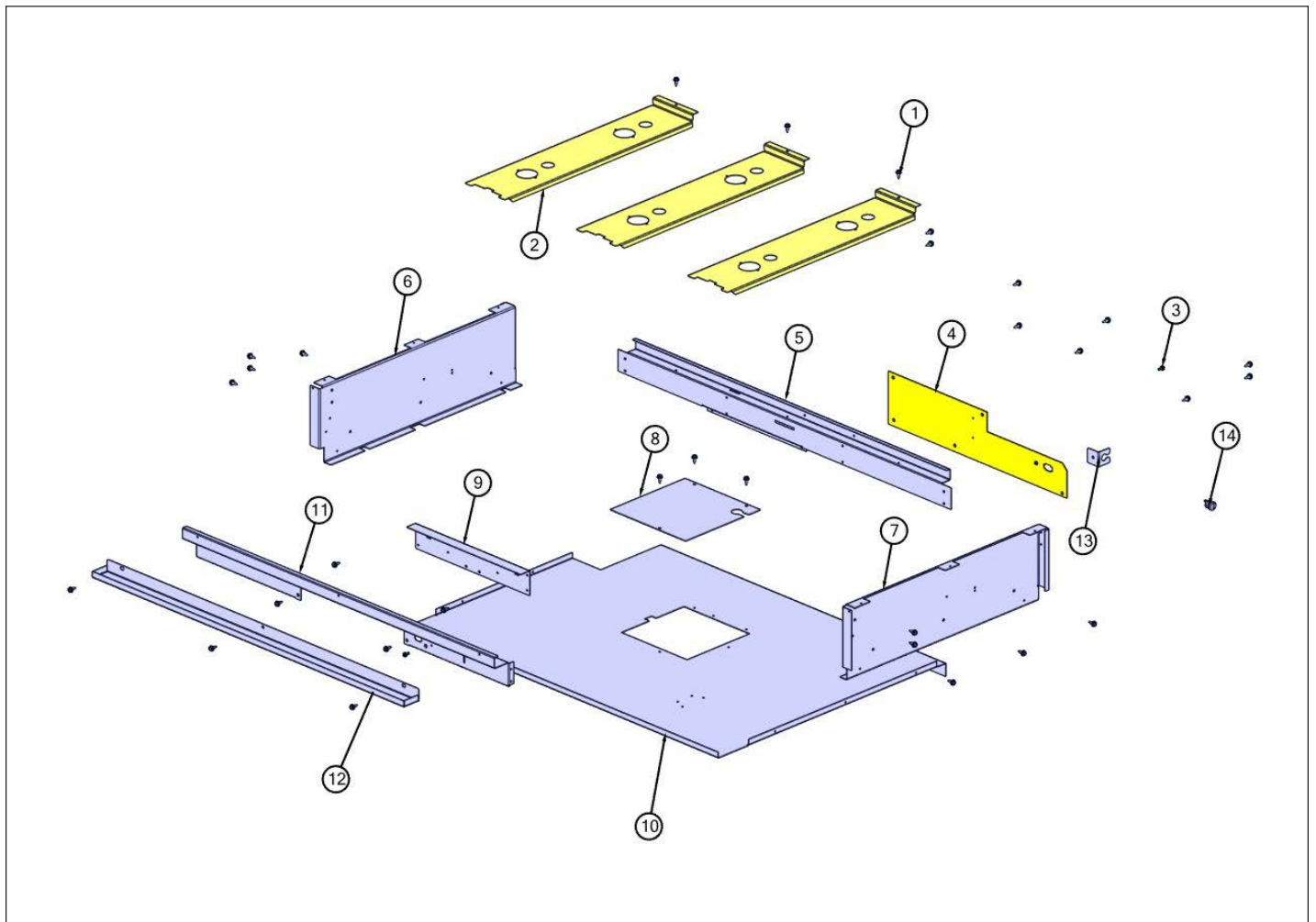
Item	Part No.	Name	Qty	Uom	NOTES
1	049420-000	GRATE, BURNER, ASM	6	EA	
2	E9108439BK	MAIN TOP (VGRT3626B) *BK*	1	EA	





Item	Part No.	Name	Qty	Uom	NOTES
1	062400-000	TRIM, IS, WELD, ASM, 36"	1	EA	
2	063761-000	PANEL, LH, VRT5	1	EA	
3	063760-000	PANEL, RH, VRT5	1	EA	
4	004016-000	PLATE, SVCE, RGLT	1	EA	
5	064395-000	PANEL, BTM, VRT536	1	EA	
6	003801-000	SHOULDER SCREW, #10	2	EA	
7	PD020032	SRW-8(A)X3/8"PH.WFR HD 7/16DIA*NICL	8	EA	
8	PD020004	10X3/8PH.HD.TYPE 25 REPL PD040125	4	EA	

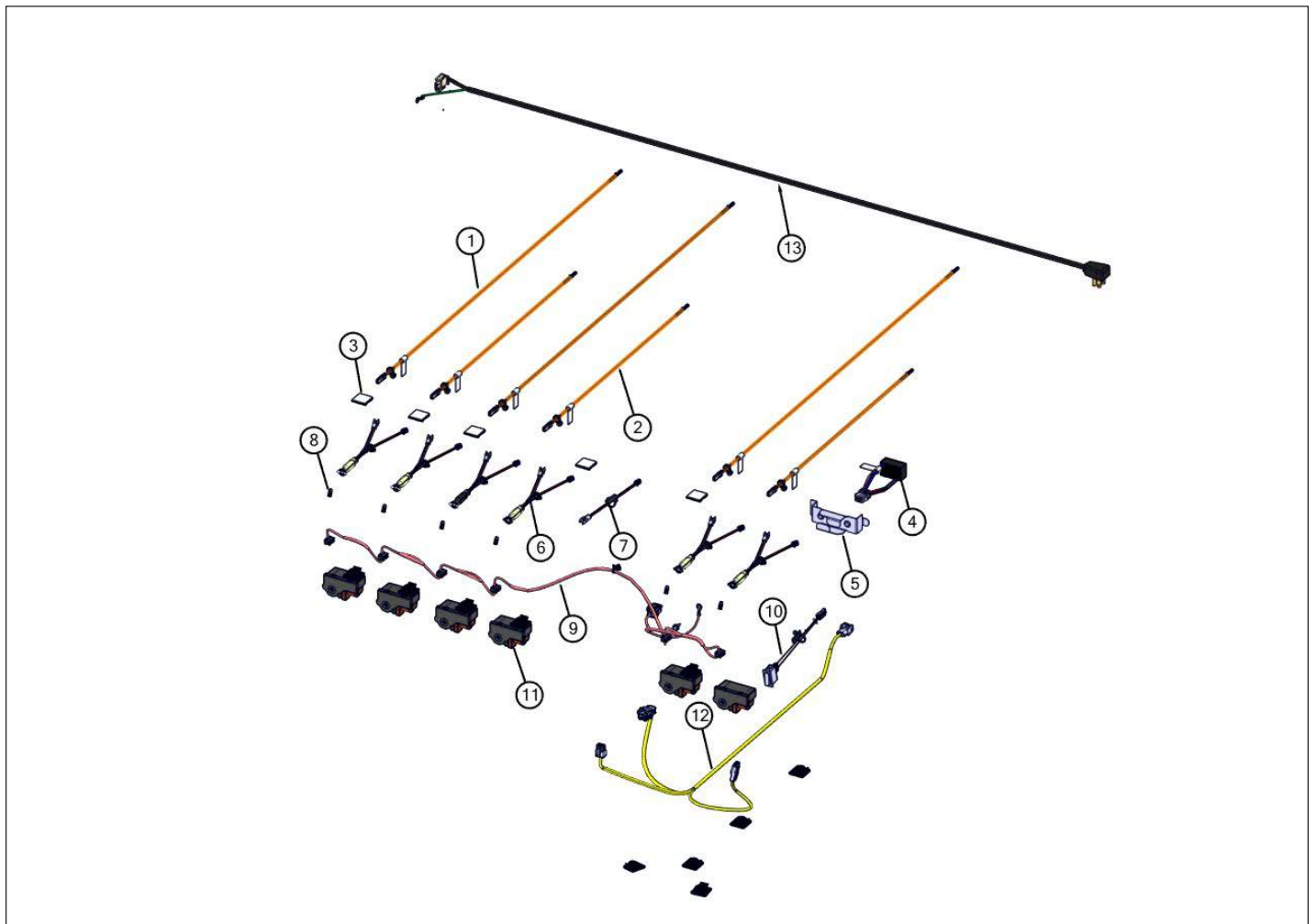
Burner Box Asm View





Item	Part No.	Name	Qty	Uom	NOTES
1	003860-000	10-18 x .500 FASTNR,SCR,HXWH,STL,ZPLT	32	EA	
2	002923-000	BURNER MODULE SUPPORT	3	EA	
3	PD020010	10 X 3/8 GREEN GROUNDING SCREW	2	EA	
4	064388-000	RANGE, TOP, PNL, BACK, VRT5304B	1	EA	
5	064445-000	SUPPORT, RNG, TOP, REAR, 36"	1	EA	
6	003481-000	BURNER BOX SIDE, LH	1	EA	
7	002755-000	BURNER BOX SIDE, RH	1	EA	
8	064498-000	COVER, ACS, DSI	1	EA	
9	012771-000	RANGETOP, BRKT, FR, VDSC CUSTOM	1	EA	
10	064475-000	BOX, BNR, BOT, 36" VRT	1	EA	
11	064433-000	SUPPORT, RNG, TOP, FRONT, 36"	1	EA	
12	038899-000	GUTTER, SPILL, 36"	1	EA	
13	064586-000	BRKT, STRN, RLF	1	EA	
14	PE070069	STRAIGHT-THRU BUSHING	1	EA	

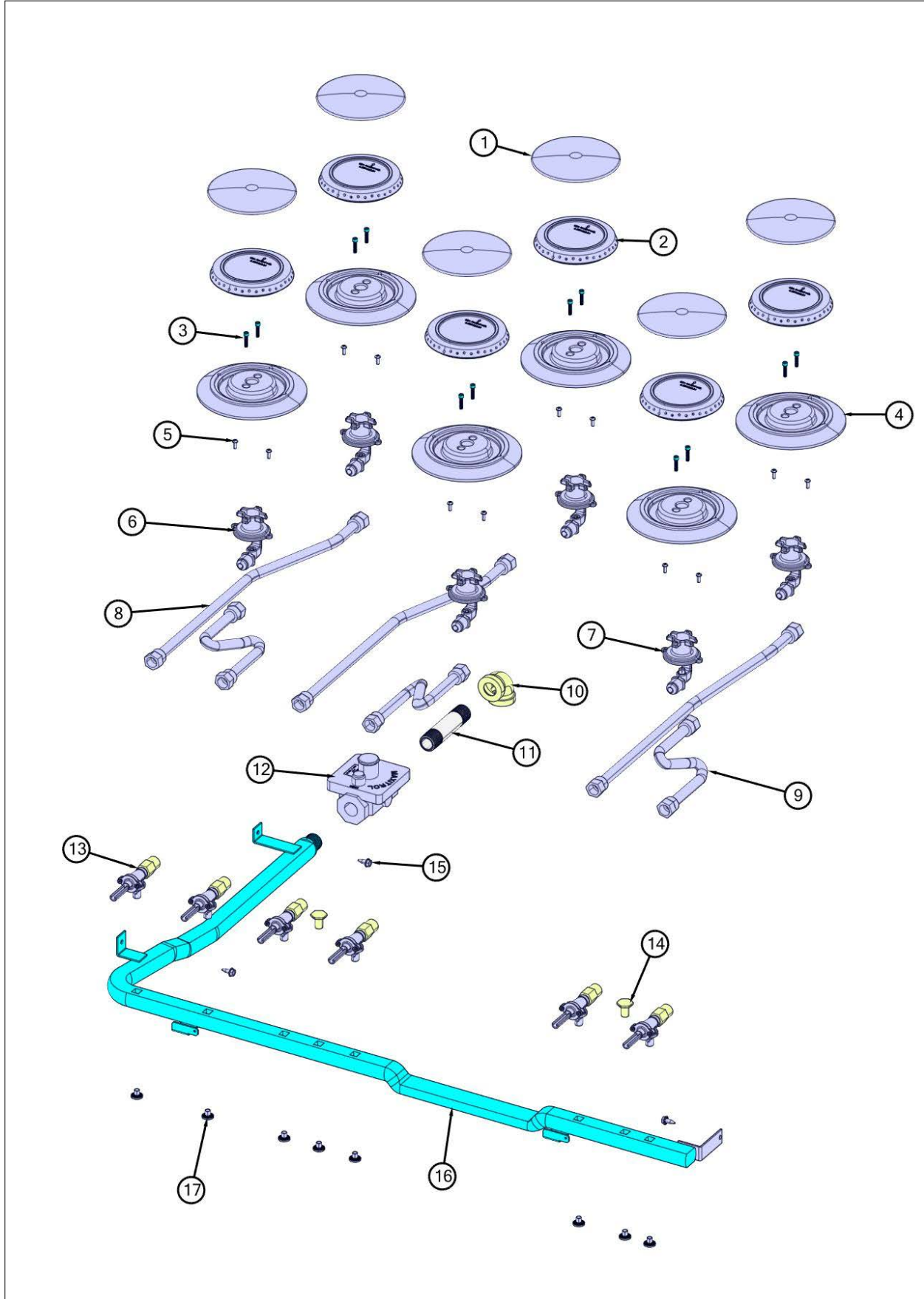
Electrical View





Item	Part No.	Name	Qty	Uom	NOTES
1	058659-604	HARN, VGR5, ELEC, BURN, REAR	3	EA	
2	058659-603	HARN, VGR5, ELEC, BURN, FRNT	3	EA	
3	049878-000	CORD, CLIP, ADHESIVE	15	EA	
4	069994-000	12 Volt Power Supply Kit	1	EA	
Not Shown	NOTE	See TC-0118-SP Service Bulletin		EA	
5	068310-000	BRKT, SHELF, POWER SUPPLY	1	EA	
Not Shown	NOTE	See TC-0118-SP Service Bulletin		EA	
6	048809-000	LAMP, LED, 12VDC, 2.84K, WHITE, ASM	6	EA	
7	048482-000	HARNESS, LED, JUMPER (HPN-0923-1)	1	EA	
8	044937-000	LENS, COVER, LED, CLEAR	6	EA	
9	059162-000	HARN, VGR5366B, IRIS	1	EA	
10	046283-000	SWITCH, LIGHTS, ACCENT W/CONN	1	EA	
11	035795-000	MODULE, IGN, GAS,SNGL	6	EA	
12	060214-000	HARN, VGRT5, MAIN	1	EA	
13	044747-000	CORD, SUPPLY, CORD	1	EA	

Gas Asm View





Item	Part No.	Name	Qty	Uom	NOTES
1	066958-000	D BURNER CAP *MATTE BLACK*	6	EA	
2	018200-000	ADJUSTED SEALED BURNER HEAD	6	EA	
3	009197-000	#6-32 X 5/8 18-8 SS NC SOC CAP	12	EA	
4	066810-042	BURNER, BASE, ASM, BLK	6	EA	
5	PD020076	6-32 X 3/8" PHILL PAN MS	12	EA	
6	001394-046	12.5 K BTU LP JETHOLDER	5	EA	
6	066197-042	15000 BTU NAT JETHOLDER	5	EA	
7	066197-044	16600 BTU LP JETHOLDER	1	EA	
7	066197-041	18500 BTU NAT JETHOLDER	1	EA	
8	PB020193	16" FLEX TUBING W/CONNECTORS	3	EA	
9	PB020192	10" FLEX TUBING W/CONNECTORS	3	EA	
10	PB040053	1/2" 90 DEG. ELBOW	1	EA	
11	019938-000	NIPPLE, 1/2" NPT X 3.5" LONG, STEEL	1	EA	
12	013386-000	LP PRESSURE REGULATOR	1	EA	
12	PA070003	PRESSURE REGULATOR (NAT.)	1	EA	
13	061230-000	VALVE, BRS, ASM, TOP, BURNER, FLRE, FTG, 5/8-18 UNF	6	EA	
14	002884-000	MANIFOLD PLUG	2	EA	
15	003860-000	10-18 x .500 FASTNR,SCR,HXWH,STL,ZPLT	3	EA	
16	058387-000	MANIFOLD, VGR5366B	1	EA	
17	PD010012	VALVE BOLT 1/4-20 UNC-2B 5/16" M.S.	8	EA	



Appendix A:Pages Index

Burner Box Asm View	4
Control View	1
Decor View	3
Electrical View	5
Gas Asm View	6
Surface Cooking View	2



Appendix B:Parts Index

001394-046	6	064475-000	4
002755-000	4	064498-000	4
002884-000	6	064586-000	4
002923-000	4	066197-041	6
003481-000	4	066197-042	6
003801-000	3	066197-044	6
003860-000	4, 6	066810-042	6
004016-000	3	066958-000	6
009197-000	6	068310-000	5
012771-000	4	069994-000	5
013386-000	6	E9108439BK	2
018200-000	6	PA070003	6
019938-000	6	PB020192	6
035795-000	5	PB020193	6
038899-000	4	PB040053	6
044512-000	1	PD010012	6
044747-000	5	PD020004	3
044937-000	5	PD020010	4
046283-000	5	PD020032	3
048326-000	1	PD020046	1
048482-000	5	PD020076	6
048809-000	5	PE070069	4
049420-000	2		
049878-000	1, 5		
058387-000	6		
058659-603	5		
058659-604	5		
059162-000	5		
060214-000	5		
061230-000	6		
062341-000	1		
062400-000	3		
063759-2809	1		
063760-000	3		
063761-000	3		
064388-000	4		
064395-000	3		
064431-2819	1		
064433-000	4		
064445-000	4		