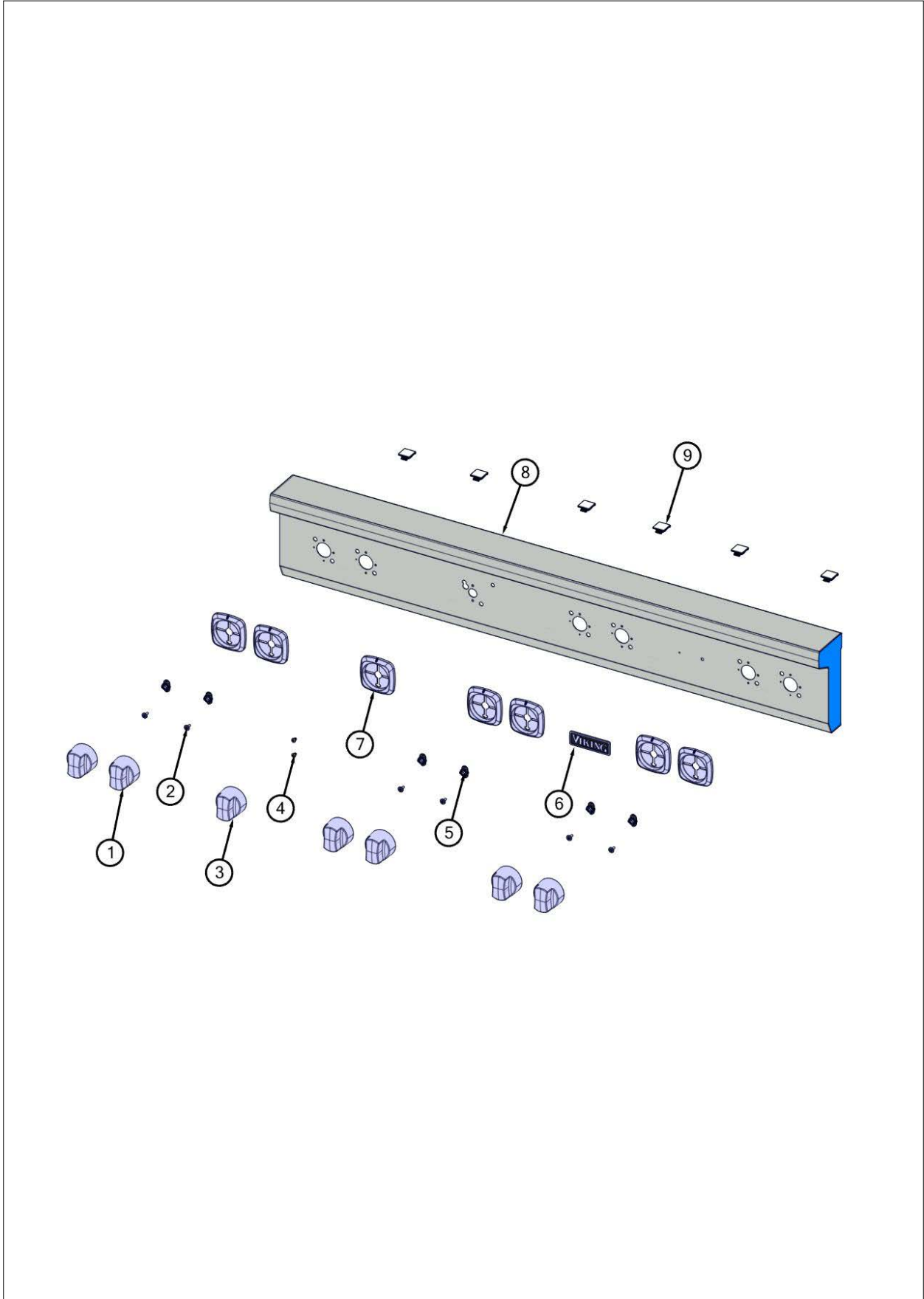


VRT5486GSS

Control View	1
Surface Cooking View	2
Gas Asm View	3
Burner Box Asm View	4
Decor View	5
Electrical View	6
Appendix A:Pages Index	A
Appendix B:Parts Index	B

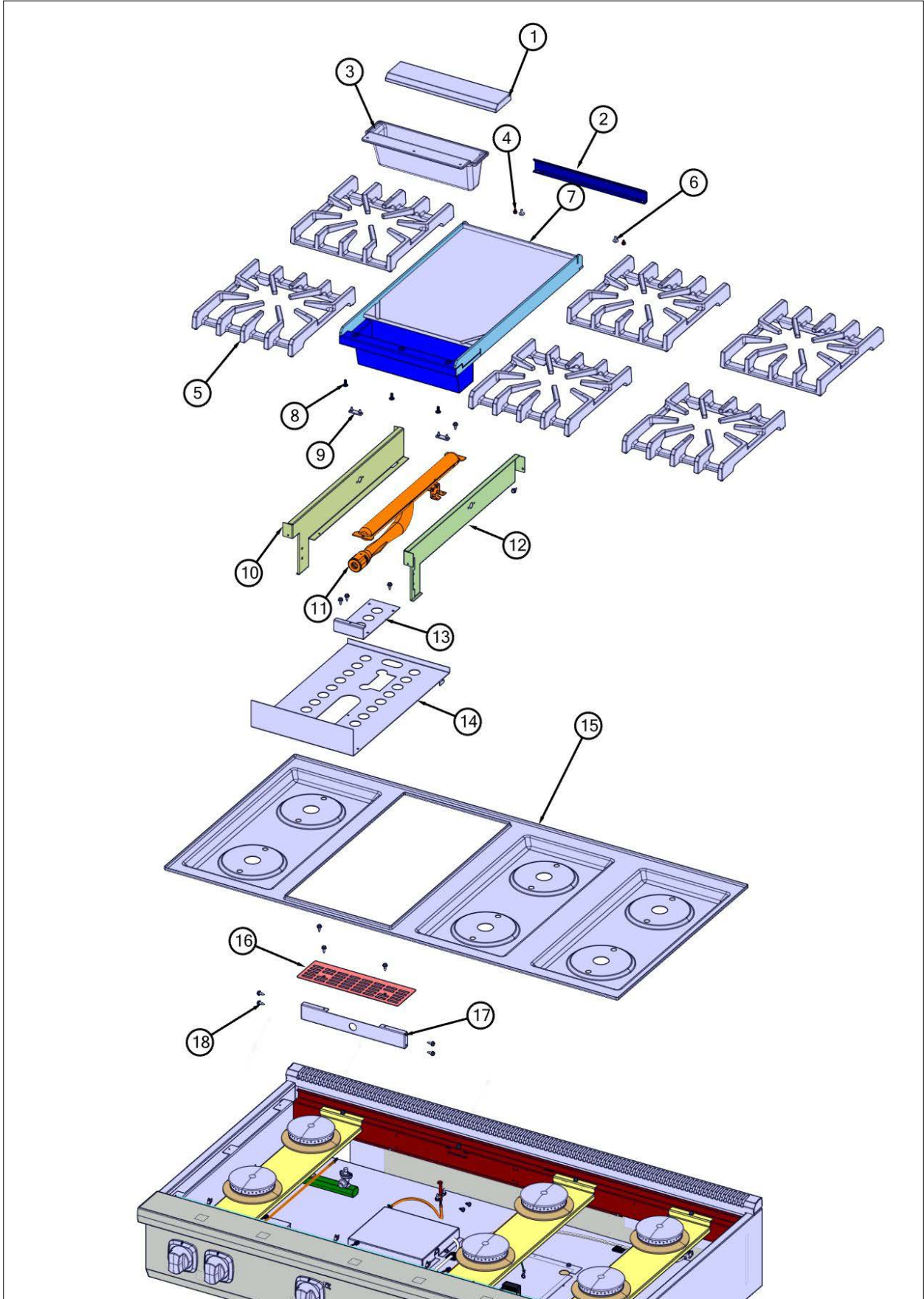
Control View





Item	Part No.	Name	Qty	Uom	NOTES
1	063759-2809	KNOB, BNR, TOP, PRO ASSY BLK CR (SEE 059023-000)	6	EA	
2	PD020046	' #8 X 1/2 SCREWS	6	EA	
3	059005-2079	KNOB, GRDL, PRO ASSY	1	EA	
4	PD020269	#8 PAN HEAD SCREW	2	EA	
5	044512-000	BEARING, BEZEL, ASM	6	EA	
6	062341-000	NAMEPLATE, VIKING, 3.500", W/LOC PINS	1	EA	
7	048326-000	BZL, KNOB	7	EA	
8	064477-2821	ASM, WELD, PANEL, CONTROL, VRT5486G, W/GRAPHICS	1	EA	
Not Shown	NOTE	(MUST ORDER ITEM 9 WHEN REPLACING CONTROL PANEL)		EA	
9	M0104106	CLIP-CORD VM0104106	5	EA	

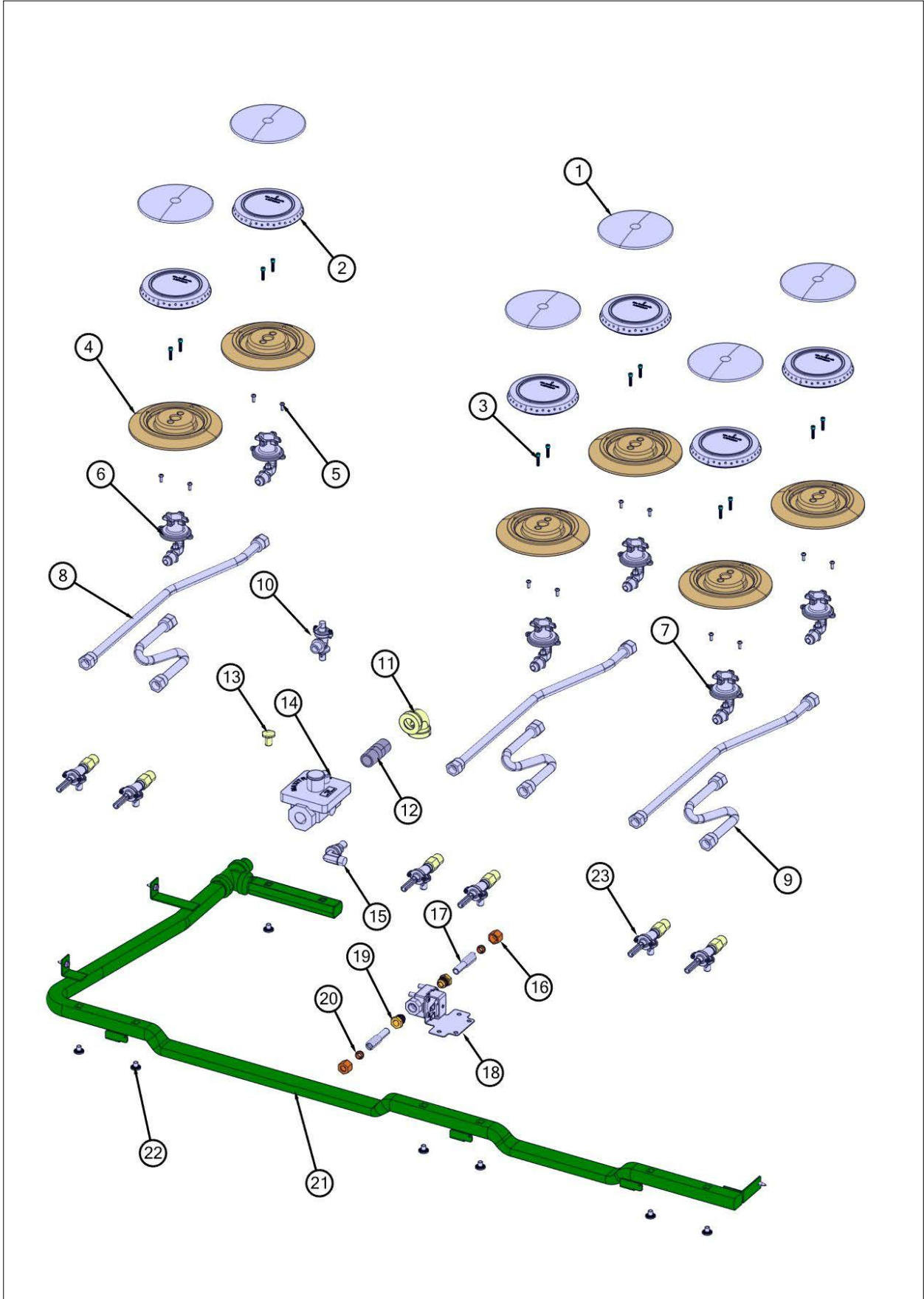
Surface Cooking View





Item	Part No.	Name	Qty	Uom	NOTES
1	012927-000	TROUGH, TOP	1	EA	
2	015209-000	GRIDDLE, CVR, REAR, DCBZ, BLK	1	EA	
3	023132-000	TROUGH, GRS	1	EA	
4	074892-000	FOOT, RUBBER	2	EA	
5	049420-000	GRATE, BURNER, ASM	6	EA	
NI	049416-000	BUMPER, GRATE	24	EA	
6	PD020033	SRW-#10-24X1/2"T(23)PH.WFR HD (NKL)	2	EA	
7	057332-000	GRIDDLE, WELD, ASM	1	EA	
8	PD020068	' #10 - 32 X 1/2"TRUSS. PHIL. M.*SS*	3	EA	
9	050355-000	CANOPY BUMPER, FD	2	EA	
10	016293-000	GRIDDLE SUPPORT, LEFT	1	EA	
11	013889-000	GRIDDLE, BURNER, ASM, LP, W/IGNITOR BRACKET	1	EA	
11	013888-000	GRIDDLE, BURNER, ASM, NAT, W/IGNITOR BRACKET	1	EA	
12	016295-000	SIDE, GRILL BOX, RH	1	EA	
13	006785-000	GRIDDLE, BOX, VENTURI, COVER	1	EA	
14	016292-000	BURNER BOX BOTTOM, GRILL	1	EA	
15	E9109801BK	48" SEALED COOKTOP 6BG & 6BQ *BK*	1	EA	
16	037633-000	SHIELD, WIRE, 12"	1	EA	
17	037648-000	GRIDDLE ORIFICE BRACKET, 12"	1	EA	
18	003860-000	10-18 x .500 FASTNR,SCR,HXWH,STL,ZPLT	14	EA	

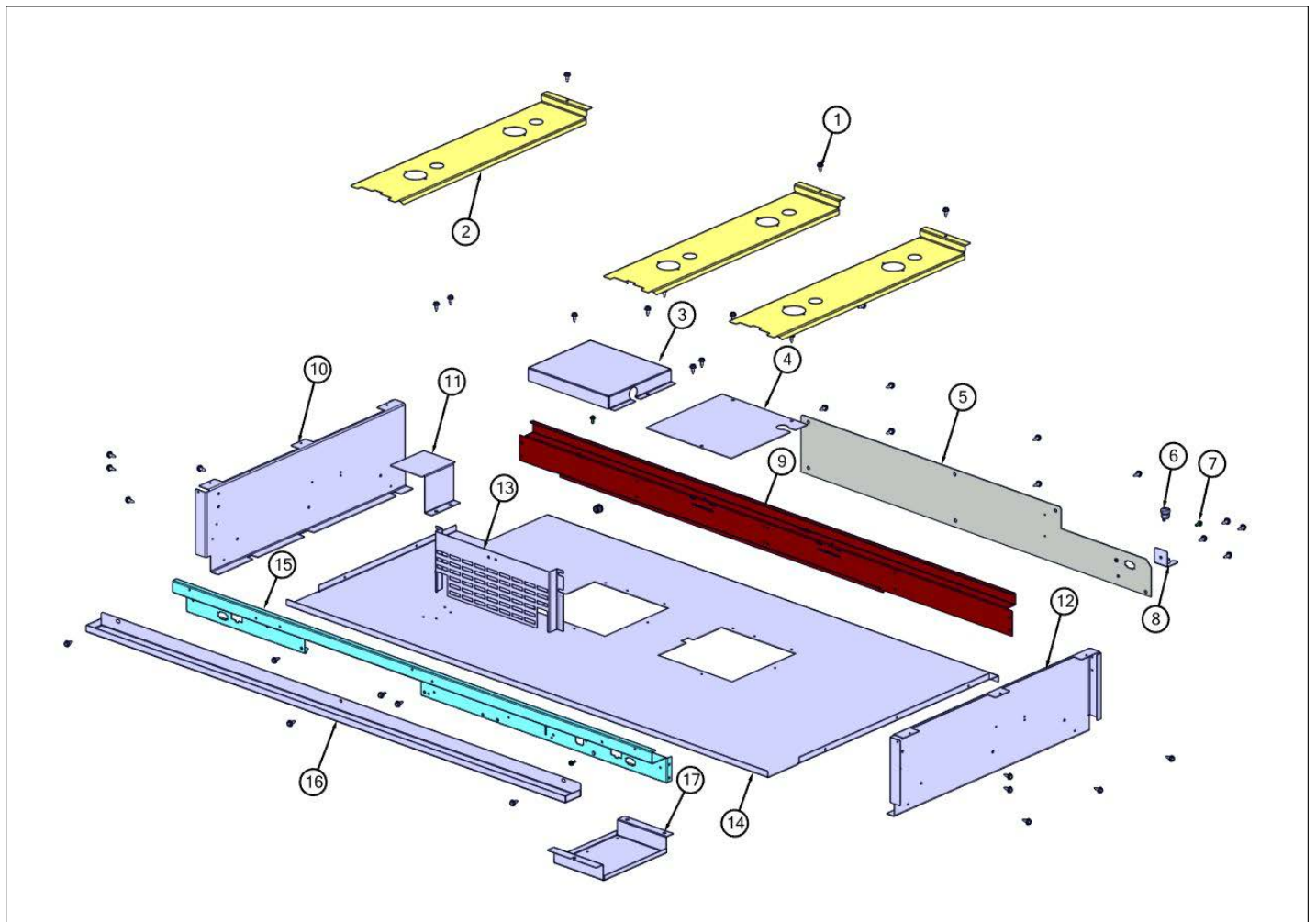
Gas Asm View





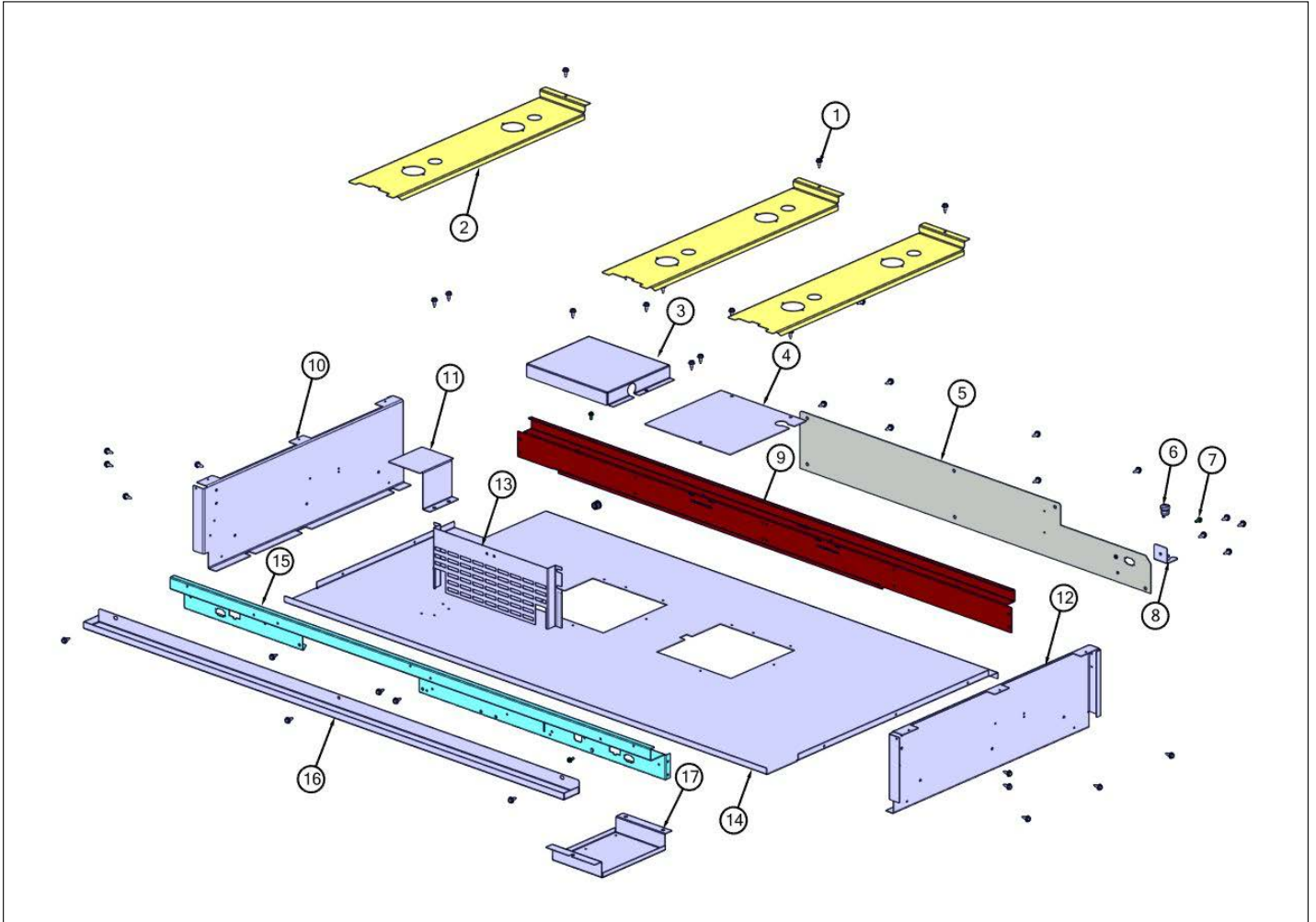
Item	Part No.	Name	Qty	Uom	NOTES
1	066958-000	D BURNER CAP *MATTE BLACK*	6	EA	
2	018200-000	ADJUSTED SEALED BURNER HEAD	6	EA	
3	009197-000	#6-32 X 5/8 18-8 SS NC SOC CAP	12	EA	
4	066810-042	BURNER, BASE, ASM, BLK	6	EA	
5	PD020076	6-32 X 3/8" PHILL PAN MS	12	EA	
6	066197-042	15000 BTU NAT JETHOLDER	5	EA	
6	001394-046	12.5 K BTU LP JETHOLDER	5	EA	
7	066197-041	18500 BTU NAT JETHOLDER	1	EA	
7	066197-044	16600 BTU LP JETHOLDER	1	EA	
8	PB020193	16" FLEX TUBING W/CONNECTORS	3	EA	
9	PB020192	10" FLEX TUBING W/CONNECTORS	3	EA	
10	007147-000	SHUT OFF VALVE	1	EA	
11	PB040053	1/2" 90 DEG. ELBOW	1	EA	
12	027915-000	NIPPLE, PIPE, 2"	1	EA	
13	002884-000	MANIFOLD PLUG	1	EA	
14	PA070003	PRESSURE REGULATOR (NAT.)	1	EA	
14	013386-000	LP PRESSURE REGULATOR	1	EA	
15	PB040190	90 DEGREE ORIFICE FITTING #50 NAT	1	EA	
16	PB040213	3/8" COMPRESSION NUT (DGPU)	2	EA	
17	PB020126	3/8" S.S. FLEX TUBING 15" (DGPU)	2	EA	
18	009111-000	VALVE, SOL, SINGLE	1	EA	
19	PB040050	3/8"CC MALE COMP. FITTING W/FERRULE	2	EA	
20	PB040192	3/8" CC FERREL (DGPU)	2	EA	
21	012793-000	MANIFOLD,ASM,48" 6G	1	EA	
22	PD010012	VALVE BOLT 1/4-20 UNC-2B 5/16" M.S.	7	EA	
23	006313-000	VALVE, BRS, SEALED TOP	6	EA	

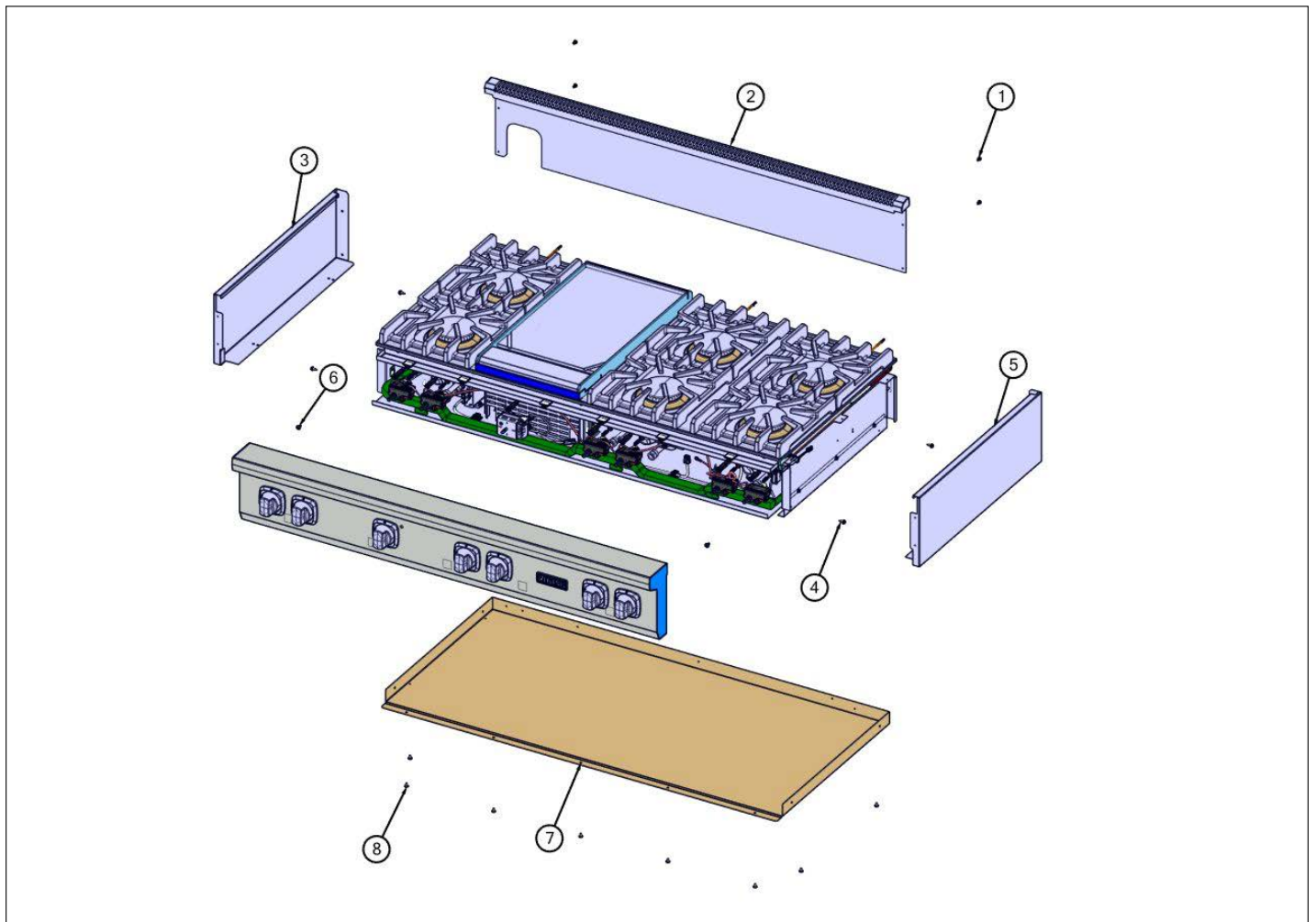
Burner Box Asm View





Item	Part No.	Name	Qty	Uom	NOTES
1	003860-000	10-18 x .500 FASTNR,SCR,HXWH,STL,ZPLT	41	EA	
2	002923-000	BURNER MODULE SUPPORT	3	EA	
3	064455-000	COVER, DSI, VRT	1	EA	
4	064498-000	COVER, ACS, DSI	1	EA	
5	064419-000	RANGE TOP, PNL, BACK, VRT CUSTOM	1	EA	
6	pe070069	STRAIGHT-THRU BUSHING	1	EA	
7	PD020010	10 X 3/8 GREEN GROUNDING SCREW	3	EA	
8	064586-000	BRKT, STRN, RLF	1	EA	
9	008464-000	BRNR BOX,REAR,FLAT,SUPPORT,VD SC5484GQ 48"	1	EA	
10	003481-000	BURNER BOX SIDE, LH	1	EA	
11	009402-000	SOLENOID HEAT SHIELD COVER	1	EA	
12	002755-000	BURNER BOX SIDE, RH	1	EA	
13	018000-000	GRIDDLE PROTECTION SHIELD	1	EA	
14	064466-000	BOX, BNR, BOT, VRT5486G/VRT5488B	1	EA	
15	008461-000	SUPPORT, FRONT	1	EA	
16	038633-000	GUTTER, SPILL, 48"	1	EA	
17	064454-000	BOARD, DSI, CRADLE	1	EA	

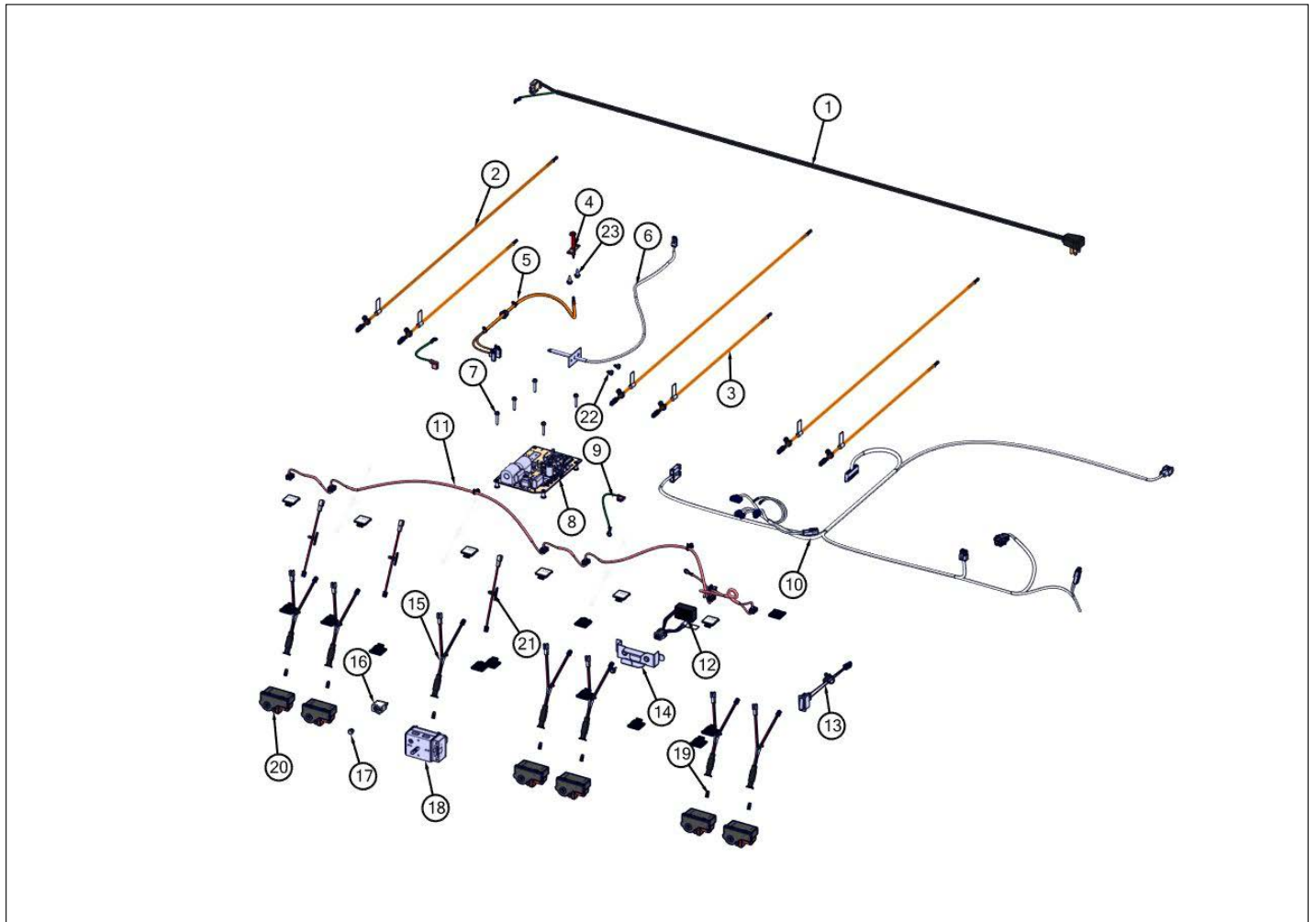






Item	Part No.	Name	Qty	Uom	NOTES
1	PD020055	' #10 X 1/2" PAN PHIL. TEK.*SS*	4	EA	
2	062402-000	TRIM, IS, WELD, ASM, 48"	1	EA	
3	063761-000	PANEL, LH, VRT5	1	EA	
4	003860-000	10-18 x .500 FASTNR,SCR,HXWH,STL,ZPLT	4	EA	
5	063760-000	PANEL, RH, VRT5	1	EA	
6	014143-000	SCR 10-12 A SHLD TRP 1/2 S ZN BLUE	2	EA	
7	064372-000	PNL, BTM, VRT5486G/VRT5488B	1	EA	
8	PD020032	SRW-8(A)X3/8"PH.WFR HD 7/16DIA*NICL	9	EA	

Electrical View





Item	Part No.	Name	Qty	Uom	NOTES
1	044747-000	CORD, SUPPLY, CORD	1	EA	
2	058659-604	HARN, VGR5, ELEC, BURN, REAR	3	EA	
3	058659-603	HARN, VGR5, ELEC, BURN, FRNT	3	EA	
4	PA020028	SPARK IGNITER	1	EA	
5	064537-000	HARN, VRT5, GRID, ELECTRODE	1	EA	
6	059021-000	RTD, TE, 18IN	1	EA	
7	M0211021	SCREW-SM	5	EA	
8	043453-000	MODULE, DSI	1	EA	
9	043994-000	WIRE, GROUND, 5"	1	EA	
10	064376-000	HARN, VRT5486G, MAIN	1	EA	
11	058935-000	HARN, VGR548, IRIS	1	EA	
12	069994-000	12 Volt Power Supply Kit	1	EA	
Not Shown	NOTE	See TC-0118-SP Service Bulletin		EA	
13	046283-000	SWITCH, LIGHTS, ACCENT W/CONN	1	EA	
14	068310-000	BRKT, SHELF, POWER SUPPLY	1	EA	
Not Shown	NOTE	See TC-0118-SP Service Bulletin		EA	
15	048809-000	LAMP, LED, 12VDC, 2.84K, WHITE, ASM	7	EA	
16	043135-000	HOUSING, LIGHT, LED, BLUE, 3.3V	1	EA	
17	027968-000	INDICATOR, LIGHT, BLUE	1	EA	
18	013213-000	TSTAT, SMPS, ELEC, 2-POS, .91" SHAFT, CB	1	EA	
19	044937-000	LENS, COVER, LED, CLEAR	7	EA	
20	035795-000	MODULE, IGN, GAS,SNGL	6	EA	
21	048482-000	HARNESS, LED, JUMPER (HPN-0923-1)	3	EA	
22	037304-000	FASTENER, PNH, TORX, AB, PSVD, WAX	2	EA	
23	003860-000	10-18 x .500 FASTNR,SCR,HXWH,STL,ZPLT	3	EA	



Appendix A:Pages Index

Burner Box Asm View	4
Control View	1
Decor View	5
Electrical View	6
Gas Asm View	3
Surface Cooking View	2



Appendix B:Parts Index

001394-046	3	044937-000	6
002755-000	4	046283-000	6
002884-000	3	048326-000	1
002923-000	4	048482-000	6
003481-000	4	048809-000	6
003860-000	2, 4, 5, 6	049416-000	2
006313-000	3	049420-000	2
006785-000	2	050355-000	2
007147-000	3	057332-000	2
008461-000	4	058659-603	6
008464-000	4	058659-604	6
009111-000	3	058935-000	6
009197-000	3	059005-2079	1
009402-000	4	059021-000	6
012793-000	3	062341-000	1
012927-000	2	062402-000	5
013213-000	6	063759-2809	1
013386-000	3	063760-000	5
013888-000	2	063761-000	5
013889-000	2	064372-000	5
014143-000	5	064376-000	6
015209-000	2	064419-000	4
016292-000	2	064454-000	4
016293-000	2	064455-000	4
016295-000	2	064466-000	4
018000-000	4	064477-2821	1
018200-000	3	064498-000	4
023132-000	2	064537-000	6
027915-000	3	064586-000	4
027968-000	6	066197-041	3
035795-000	6	066197-042	3
037304-000	6	066197-044	3
037633-000	2	066810-042	3
037648-000	2	066958-000	3
038633-000	4	068310-000	6
043135-000	6	069994-000	6
043453-000	6	074892-000	2
043994-000	6	E9109801BK	2
044512-000	1	M0104106	1
044747-000	6	M0211021	6
		PA020028	6



PA070003	3
PB020126	3
PB020192	3
PB020193	3
PB040050	3
PB040053	3
PB040190	3
PB040192	3
PB040213	3
PD010012	3
PD020010	4
PD020032	5
PD020033	2
PD020046	1
PD020055	5
PD020068	2
PD020076	3
PD020269	1
pe070069	4