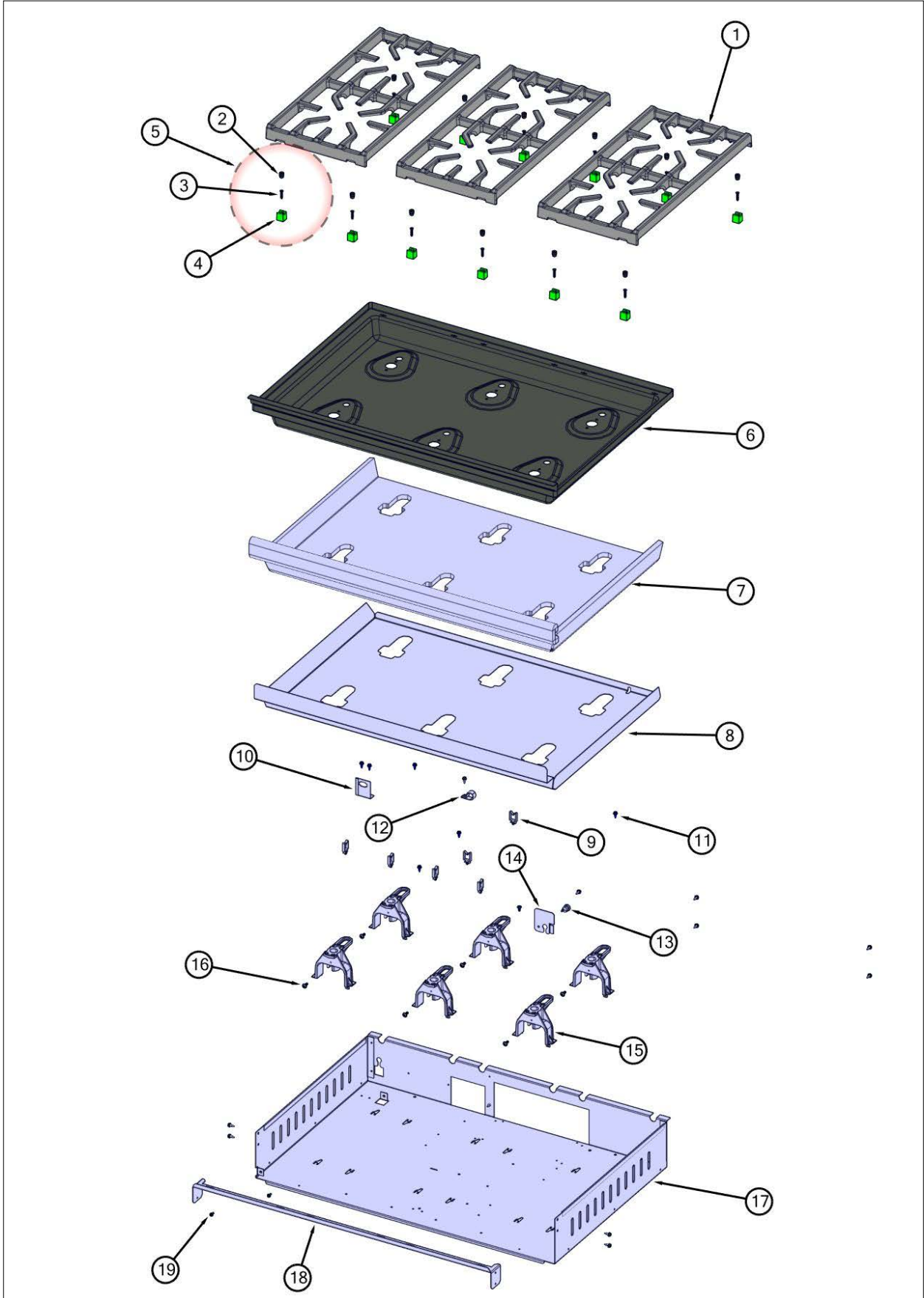


**VRT7366BSS**

Surface Cooking View .....	1
Gas Asm View .....	2
Electrical View .....	3
Decor View .....	4
Control View .....	5
Appendix A:Pages Index .....	A
Appendix B:Parts Index .....	B



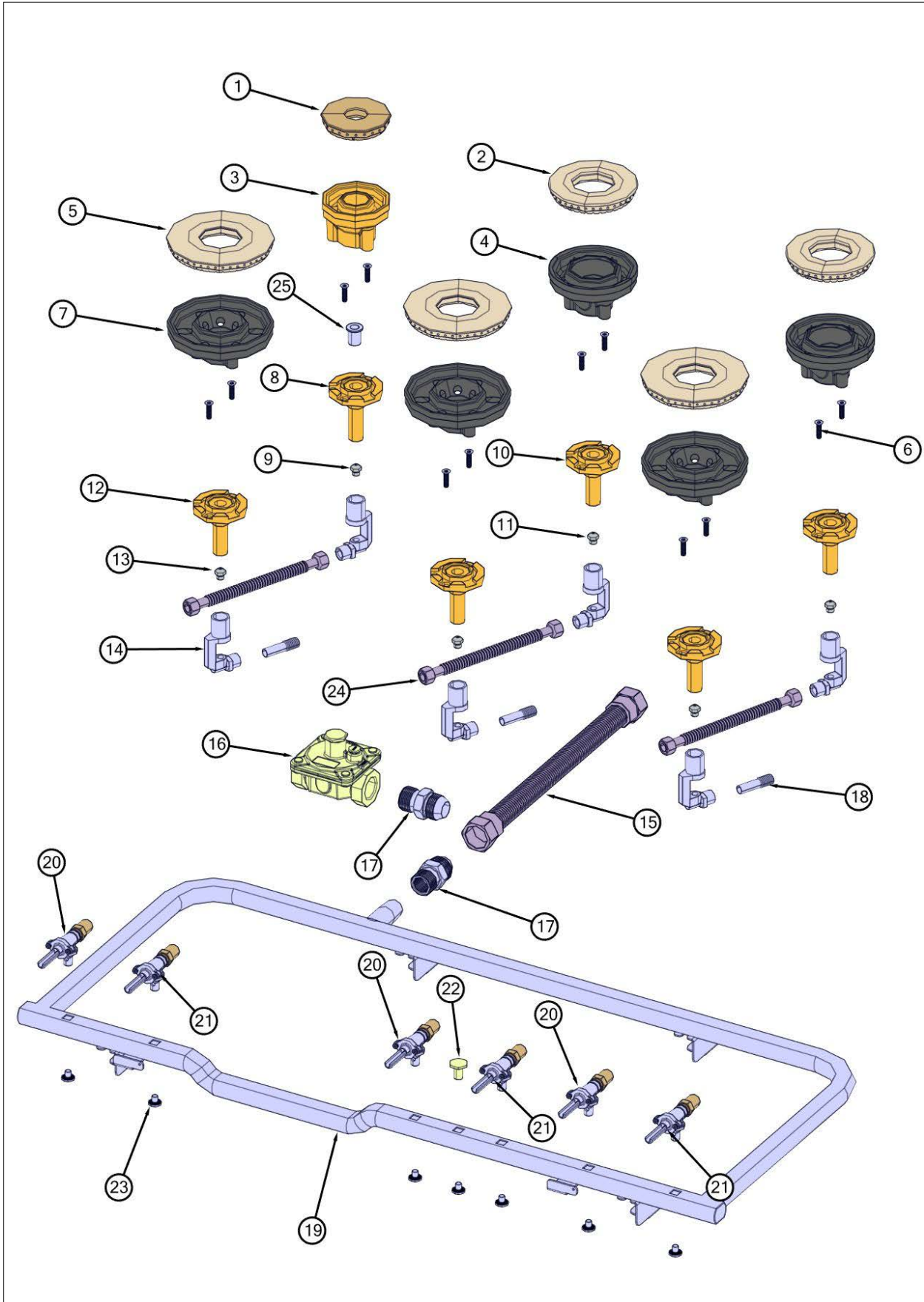
Surface Cooking View





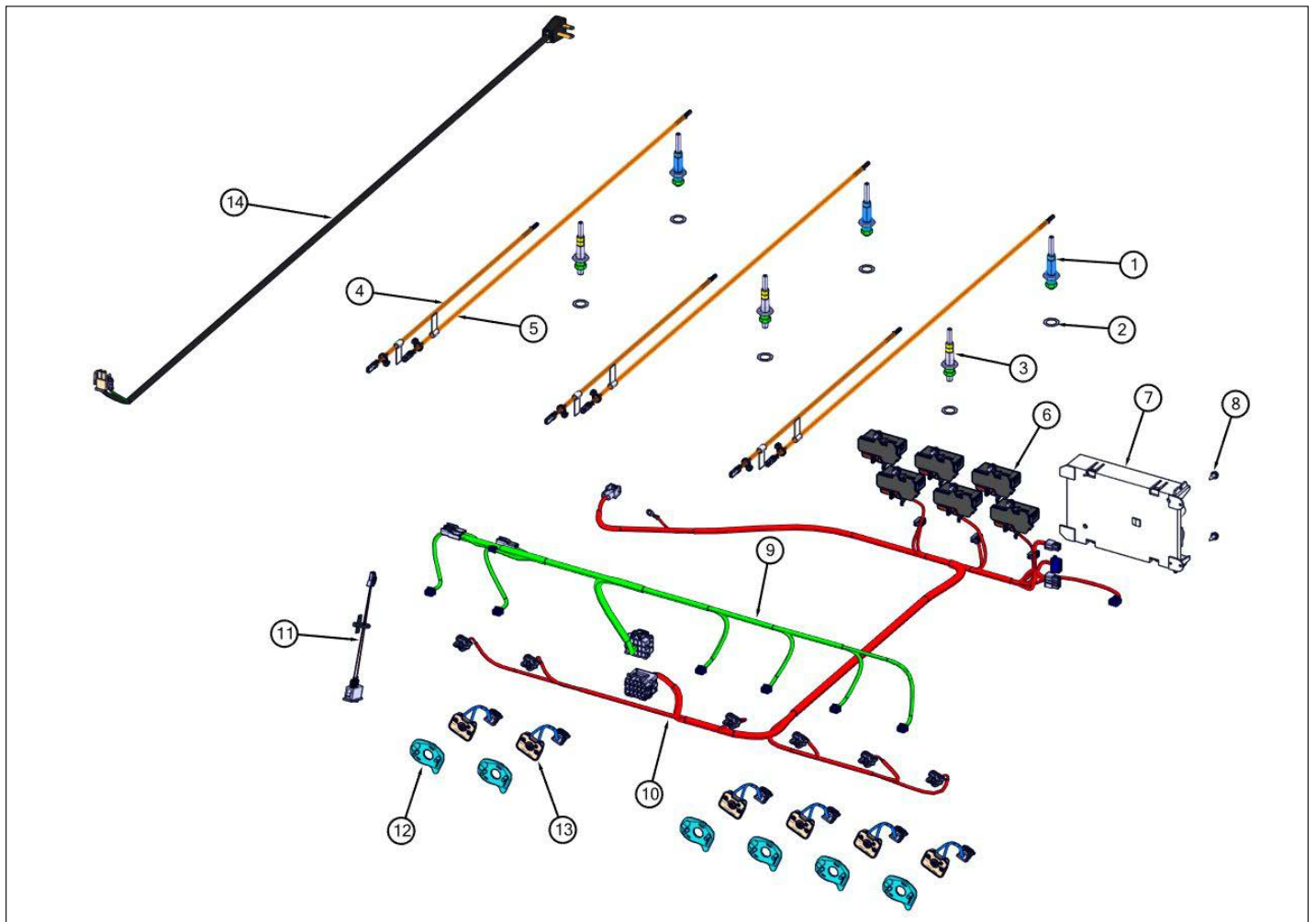
Item	Part No.	Name	Qty	Uom	NOTES
1	042545-000	GRATE, CAST, 12"	3	EA	
2	052260-000	SILENCER, GRATE	12	EA	
3	049534-000	SCREW, 8-32 X 3/4, PHIL, FLAT	12	EA	
4	052259-000	SUPPORT, GRATE	12	EA	
5	058147-000	GRATE, LEG, ASSY, PHASE 2 (BLK)	12	EA	
<p>Comments for Part Num. 058147-000</p> <p>gboltz@VikingRange.com on Jun 6, 2016</p> <p>See parts bulletin 2016-03P Grate support changes</p>					
6	048017-402	PAN, BNR, SHIM, ASM, BLK	1	EA	
7	049746-000	INSULATION, LINER, BURNER PAN, 36"	1	EA	
8	049745-000	TRAY, PNL, INSULATION, BURNER PAN, 36"	1	EA	
9	045548-000	CLIP, ROUTING, WIRE	6	EA	
10	033668-000	BRACKET, DISCONNECT	1	EA	
11	003860-000	10-18 x .500 FASTNR,SCR,HXWH,STL,ZPLT	11	EA	
12	pd030109	INSULATED CLAMP	1	EA	
13	pe070069	STRAIGHT-THRU BUSHING	1	EA	
14	049959-000	CVR, STRN, RELIEF	1	EA	
15	066170-000	SUPPORT, HLDR, JET	6	EA	
16	PD020068	' #10 - 32 X 1/2"TRUSS. PHIL. M.*SS*	6	EA	
17	066338-000	BOX, BNR, VRT736	1	EA	
18	049744-000	BRACKET, MTG, 36" CONTROL PANEL	1	EA	
19	PD020010	10 X 3/8 GREEN GROUNDING SCREW	2	EA	
NI	065092-000	BRKT, MNTG, EGRID	1	EA	
NI	047797-000	COVER, BACK-INTERNATIONAL	1	EA	

Gas Asm View



Item	Part No.	Name	Qty	Uom	NOTES
1	056256-000	BURNER, HEAD, BRS, C-SIZE	1	EA	
2	066169-000	BURNER, HEAD, D W/GRAPHICS	2	EA	
3	066177-000	BASE, BNR, C-SIZE	1	EA	
4	066105-000	BASE, BNR, D	2	EA	
5	066172-000	BURNER HEAD, E	3	EA	
6	046964-000	SCREW, 10-32 X 3/4", CTSK, BLACK	12	EA	
7	053357-000	BASE, BNR, E-SIZE	3	EA	
8	044686-000	VENTURI, C NAT, C LP, FLANGE, BNR	1	EA	
9	044688-000	ORIFICE, BNR, STD, 1.22MM	1	EA	
10	066171-000	VENTURI, D NAT, D LP, FLANGE, BNR	2	EA	
11	046184-000	ORIFICE, BNR, STD, 1.70MM	2	EA	
12	044485-000	VENTURI, E NAT, FLANGE, BNR	3	EA	
13	043675-000	ORIFICE, BNR, STD, 2.18MM	3	EA	
14	063295-000	HOLDER, JET, BURNER	6	EA	
15	044310-000	TUBING, 3/4" FLEX, SST, 13"	1	EA	
16	046119-000	PRESSURE REGULATOR (NAT)	1	EA	
17	044321-000	FITTING, ADAPTOR, 3/4" FLEX TUBING	2	EA	
18	PB020191	15" FLEX TUBE	3	EA	
19	056434-000	MANIFOLD, GAS, 36", ASM	1	EA	
20	061224-000	VALVE, GAS, E-BNR, NAT	3	EA	
21	061225-000	VALVE, GAS, C & D-BNR, NAT	3	EA	
22	002884-000	MANIFOLD PLUG	1	EA	
23	PD010012	VALVE BOLT 1/4-20 UNC-2B 5/16" M.S.	7	EA	
24	PB020198	20" FLEX TUBING	3	EA	
25	051541-000	C VENTURI INSERT	1	EA	

Electrical View

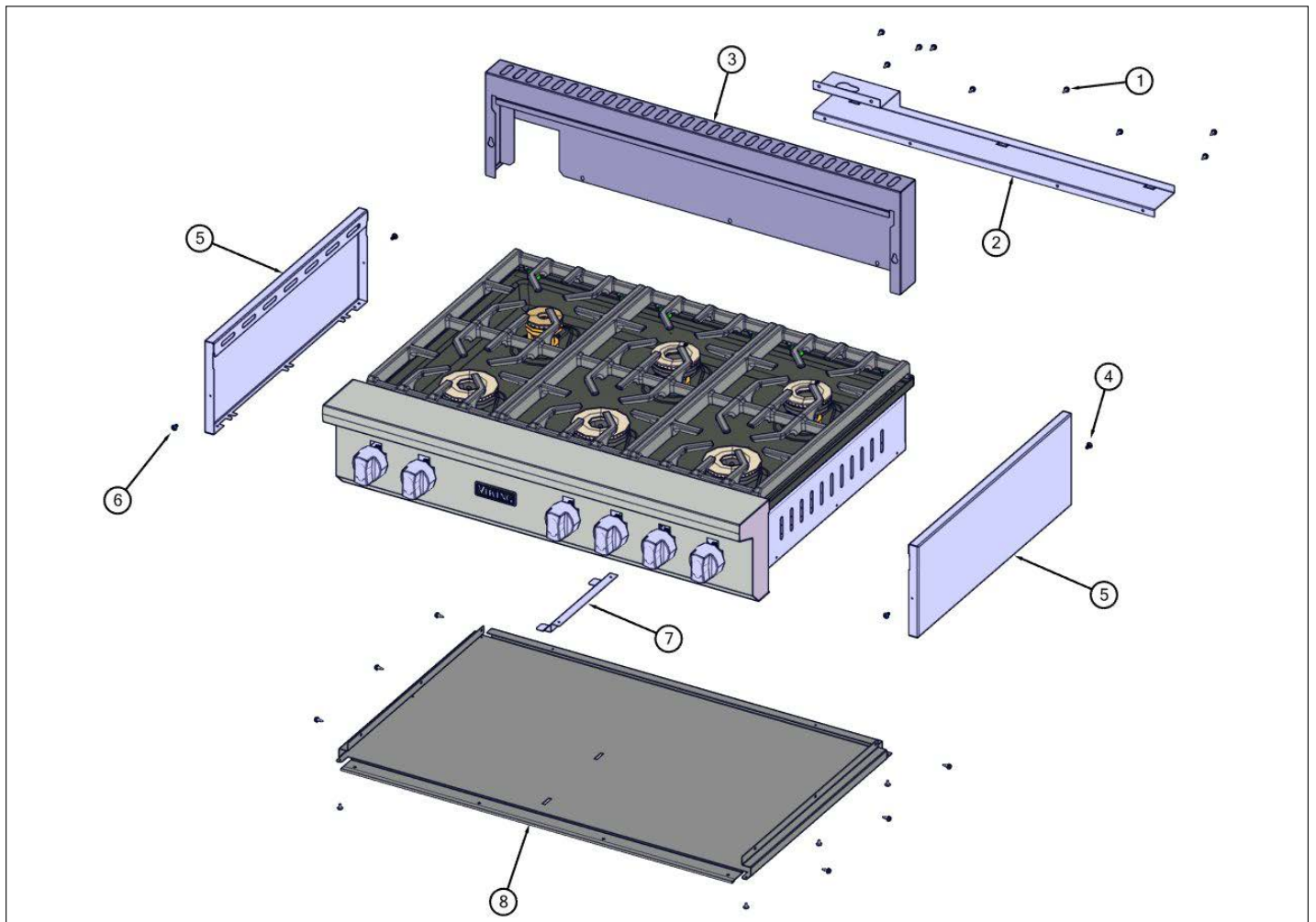






Item	Part No.	Name	Qty	Uom	NOTES
1	066808-000	ELECTRODE , ASM, D	3	EA	
2	045932-000	WASHER, ELECTRODE	6	EA	
3	066809-000	ELECTRODE, ASM E	3	EA	
4	058659-603	HARN, VGR5, ELEC, BURN, FRNT	3	EA	
5	058659-604	HARN, VGR5, ELEC, BURN, REAR	3	EA	
6	062214-000	EGRID, REMOTE MOUNT, 120VAC	6	EA	
7	062885-501	CNTRL, MODULE, ULC	1	EA	
8	003860-000	10-18 x .500 FASTNR,SCR,HXWH,STL,ZPLT	8	EA	
9	063279-000	HARN, VRT7366B, CP	1	EA	
10	063278-000	HARN, VRT7366B, MAIN	1	EA	
11	046283-000	SWITCH, LIGHTS, ACCENT W/CONN	1	EA	
12	063640-000	ADAPTER, BEZEL, LED	6	EA	
13	061211-000	SWITCH, VALVE, SPST, 2 PIN CON	6	EA	
14	044747-000	CORD, SUPPLY, CORD	1	EA	

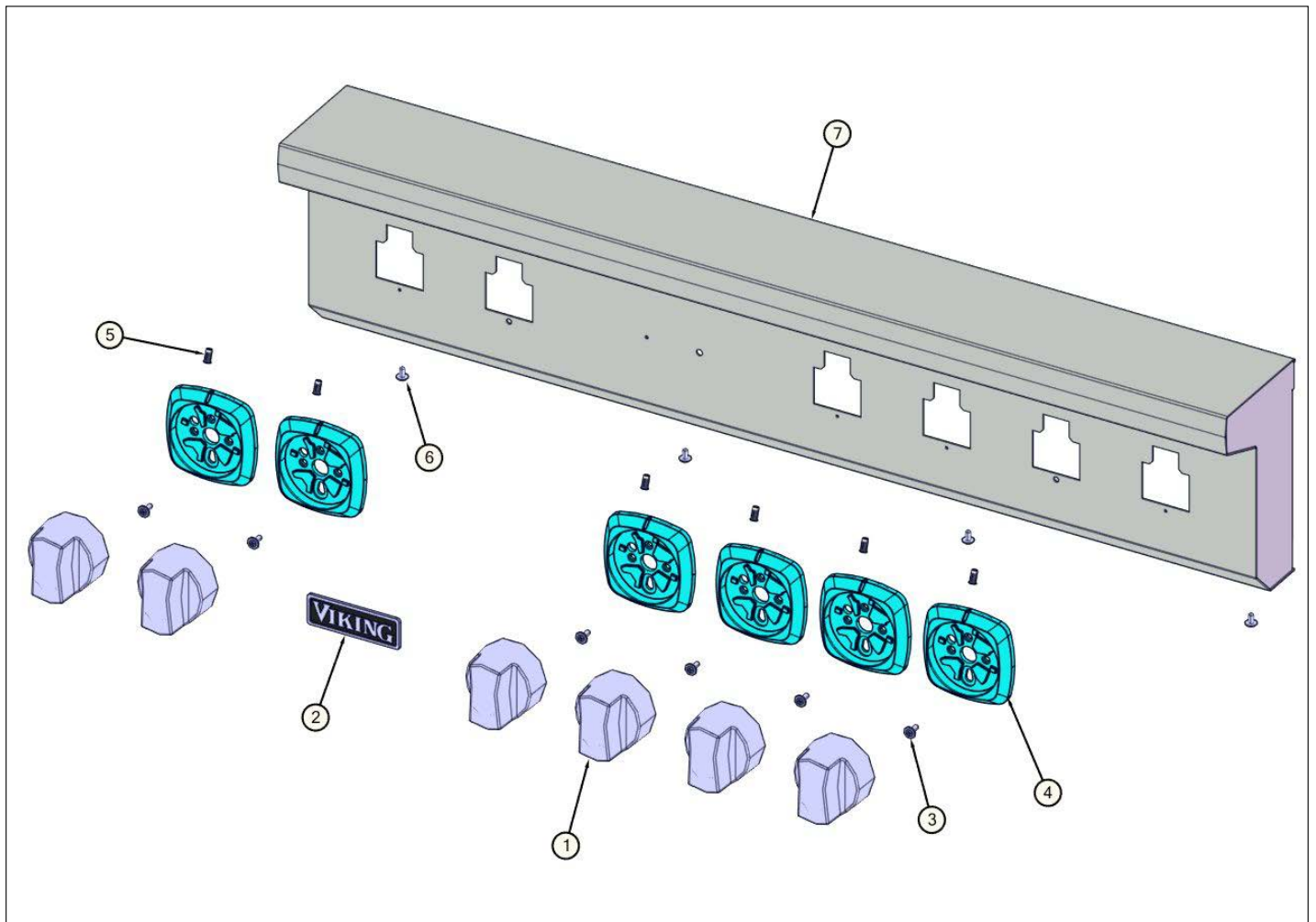
Decor View





Item	Part No.	Name	Qty	Uom	NOTES
1	003860-000	10-18 x .500 FASTNR,SCR,HXWH,STL,ZPLT	15	EA	
2	068206-000	SHIELD, BRKT, VRT736	1	EA	
3	042117-000	TRIM, IS, VGR, 36"	1	EA	
4	003801-000	SHOULDER SCREW, #10	2	EA	
5	052427-000	COVER, OS, RH/LH UPPER	2	EA	
6	014143-000	SCR 10-12 A SHLD TRP 1/2 S ZN BLUE	2	EA	
7	046508-000	BRACKET, SPRT, BOT	1	EA	
8	046053-000	RANGETOP, PANEL, BOTTOM, VGRT736	1	EA	

Control View





Item	Part No.	Name	Qty	Uom	NOTES
1	061041-000	KNOB, BURNER, ASSY (SEE 042558-000)	6	EA	
2	062341-000	NAMEPLATE, VIKING, 3.500", W/LOC PINS	1	EA	
3	PD020046	' #8 X 1/2 SCREWS	6	EA	
4	061090-501	BEZEL, ASSY, LED, SQUARE, LARGE	6	EA	
Comments for Part Num. 061090-501					
profixappliances@gmail.com on Feb 27, 2020					
SEE SERVICE BULLETIN TC-0126-SP REGARDING NEW BEZELS					
5	044937-000	LENS, COVER, LED, CLEAR	6	EA	
6	PD020032	SRW-8(A)X3/8"PH.WFR HD 7/16DIA*NICL	4	EA	
7	064654-2859	ASM, WELD, PNL, CTRL, VRT7366B, W/GRAPHICS	1	EA	



Appendix A:Pages Index

Control View .....	5
Decor View .....	4
Electrical View .....	3
Gas Asm View .....	2
Surface Cooking View .....	1



Appendix B:Parts Index

002884-000	2	061041-000	5
003801-000	4	061090-501	5
003860-000	1, 3, 4	061211-000	3
014143-000	4	061224-000	2
033668-000	1	061225-000	2
042117-000	4	062214-000	3
042545-000	1	062341-000	5
043675-000	2	062885-501	3
044310-000	2	063278-000	3
044321-000	2	063279-000	3
044485-000	2	063295-000	2
044686-000	2	063640-000	3
044688-000	2	064654-2859	5
044747-000	3	065092-000	1
044937-000	5	066105-000	2
045548-000	1	066169-000	2
045932-000	3	066170-000	1
046053-000	4	066171-000	2
046119-000	2	066172-000	2
046184-000	2	066177-000	2
046283-000	3	066338-000	1
046508-000	4	066808-000	3
046964-000	2	066809-000	3
047797-000	1	068206-000	4
048017-402	1	PB020191	2
049534-000	1	PB020198	2
049744-000	1	PD010012	2
049745-000	1	PD020010	1
049746-000	1	PD020032	5
049959-000	1	PD020046	5
051541-000	2	PD020068	1
052259-000	1	pd030109	1
052260-000	1	pe070069	1
052427-000	4		
053357-000	2		
056256-000	2		
056434-000	2		
058147-000	1		
058659-603	3		
058659-604	3		