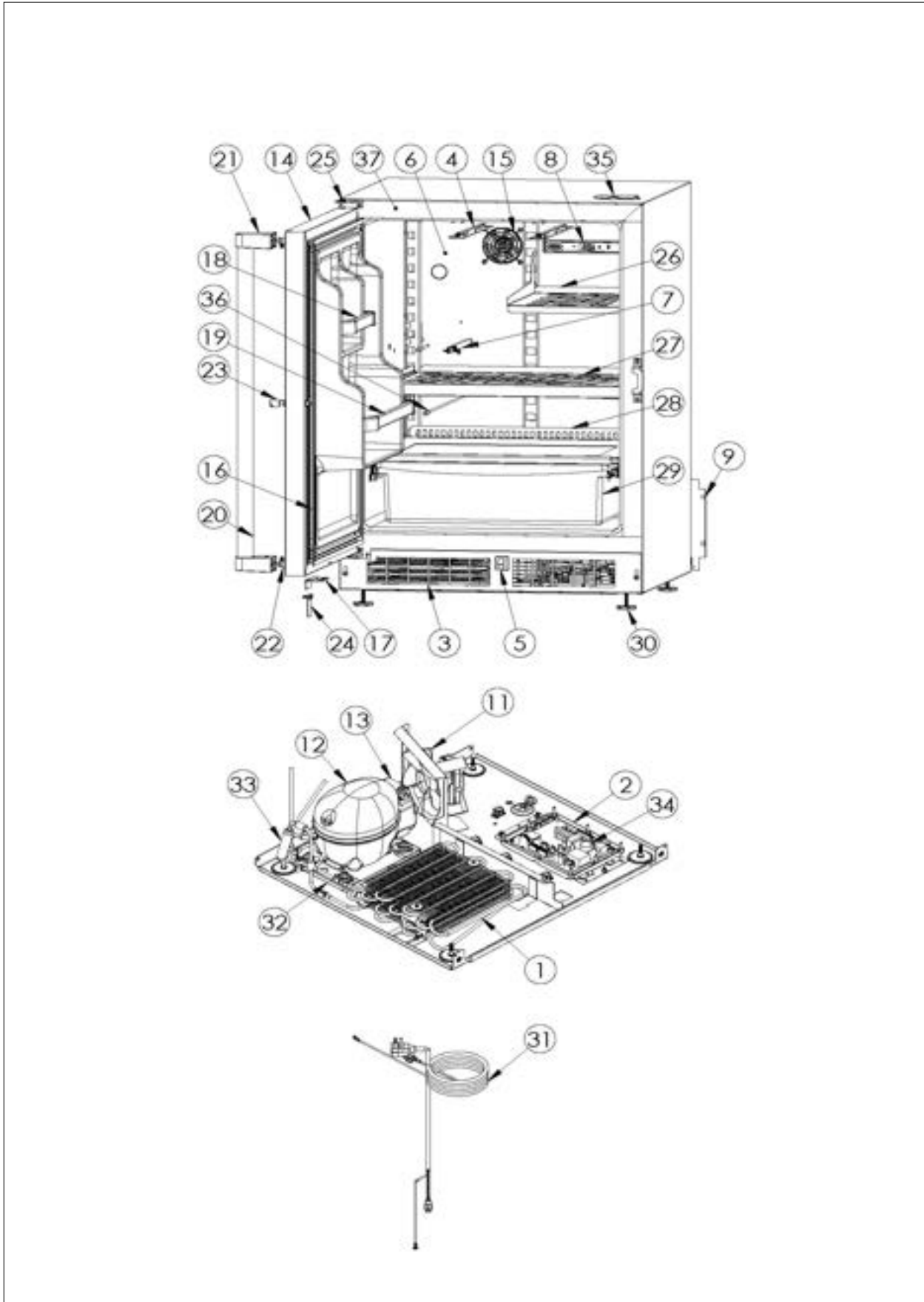


**VRU05241DLSS**

VRUO5241DLSS UNIT COMPONENTS .....	1
Appendix A:Pages Index .....	A
Appendix B:Parts Index .....	B

VRU05241DLSS UNIT COMPONENTS





Item	Part No.	Name	Qty	Uom	NOTES
1	078082-000	CONDENSER ASSEMBLY		EA	
2	078083-000	MAIN CONTROL BOARD KIT		EA	
3	059551-000	Grille, Left hand		EA	Not available online / Call for pricing and availability
4	078067-000	LED LIGHT STRIP		EA	
5	059250-000	ROCKER SWITCH		EA	Not available online / Call for pricing and availability
6	078087-000	EVAPORATOR ASSEMBLY		EA	
7	078096-000	THERMISTOR ASSEMBLY		EA	
8	078071-000	UI DISPLAY KIT		EA	
9	059373-000	Access Cover		EA	Not available online / Call for pricing and availability
NI	078073-000	MECHANICAL HARNESS KIT		EA	
11	078086-000	CONDENSER FAN MOTOR		EA	
12	078074-000	COMPRESSOR		EA	
13	078075-000	COMPRESSOR ELECTRICALS		EA	
14	078108-000	DOOR ASSEMBLY		EA	
15	078098-000	EVAP FAN		EA	
16	059245-000	Door Gasket, Black		EA	Not available online / Call for pricing and availability
17	078099-000	DOOR STOP		EA	
18	059529-000	Upper Mid Bar		EA	Not available online / Call for pricing and availability
19	059530-000	Lower Mid Bar		EA	Not available online / Call for pricing and availability
20	078100-000	HANDLE TUBE		EA	
21	059237-000	Handle End Cap		EA	Not available online / Call for pricing and availability
22	059239-000	STANDOFF		EA	



Item	Part No.	Name	Qty	Uom	NOTES
23	078101-000	KEYS(2)		EA	
24	078102-000	STRIKER PLATE		EA	
25	078103-000	HINGE PKG		EA	
26	059549-000	Cantilever Split Shelf		EA	Not available online / Call for pricing and availability
27	059553-000	Complete Sliding Shelf Assembly		EA	Not available online / Call for pricing and availability
28	078104-000	CRISPER SHELF		EA	
29	059544-000	Crisper Pan Assembly, White Rails		EA	Not available online / Call for pricing and availability
30	022366-000	LEG LEVELER		EA	
31	078079-000	POWER CORD		EA	
32	059270-000	Drain Defrost Pan		EA	Not available online / Call for pricing and availability
33	059256-000	Dryer		EA	Not available online / Call for pricing and availability
34	078068-000	CONTROL BOARD		EA	
35	078105-000	ANTI TIP BRACKET		EA	
36	078077-000	EVAP THERMISTOR		EA	
37	078109-000	MAG STRIP KIT		EA	



Appendix A:Pages Index

VRUO5241DLSS UNIT COMPONENTS ..... 1



Appendix B:Parts Index

022366-000 ..... 1  
059237-000 ..... 1  
059239-000 ..... 1  
059245-000 ..... 1  
059250-000 ..... 1  
059256-000 ..... 1  
059270-000 ..... 1  
059373-000 ..... 1  
059529-000 ..... 1  
059530-000 ..... 1  
059544-000 ..... 1  
059549-000 ..... 1  
059551-000 ..... 1  
059553-000 ..... 1  
078067-000 ..... 1  
078068-000 ..... 1  
078071-000 ..... 1  
078073-000 ..... 1  
078074-000 ..... 1  
078075-000 ..... 1  
078077-000 ..... 1  
078079-000 ..... 1  
078082-000 ..... 1  
078083-000 ..... 1  
078086-000 ..... 1  
078087-000 ..... 1  
078096-000 ..... 1  
078098-000 ..... 1  
078099-000 ..... 1  
078100-000 ..... 1  
078101-000 ..... 1  
078102-000 ..... 1  
078103-000 ..... 1  
078104-000 ..... 1  
078105-000 ..... 1  
078108-000 ..... 1  
078109-000 ..... 1